



Chipsmall Limited consists of a professional team with an average of over 10 year of expertise in the distribution of electronic components. Based in Hongkong, we have already established firm and mutual-benefit business relationships with customers from,Europe,America and south Asia,supplying obsolete and hard-to-find components to meet their specific needs.

With the principle of “Quality Parts,Customers Priority,Honest Operation,and Considerate Service”,our business mainly focus on the distribution of electronic components. Line cards we deal with include Microchip,ALPS,ROHM,Xilinx,Pulse,ON,Everlight and Freescale. Main products comprise IC,Modules,Potentiometer,IC Socket,Relay,Connector.Our parts cover such applications as commercial,industrial, and automotives areas.

We are looking forward to setting up business relationship with you and hope to provide you with the best service and solution. Let us make a better world for our industry!



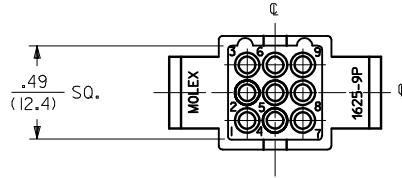
Contact us

Tel: +86-755-8981 8866 Fax: +86-755-8427 6832

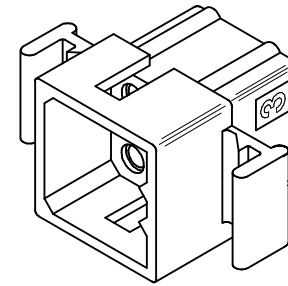
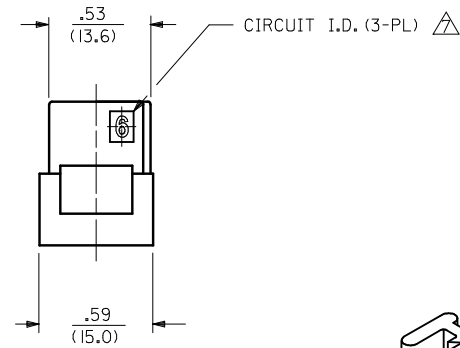
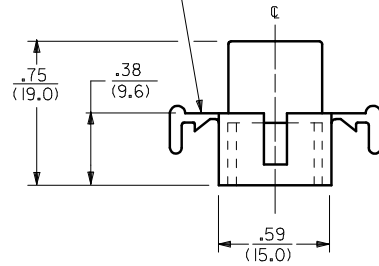
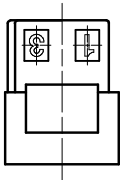
Email & Skype: info@chipsmall.com Web: www.chipsmall.com

Address: A1208, Overseas Decoration Building, #122 Zhenhua RD., Futian, Shenzhen, China

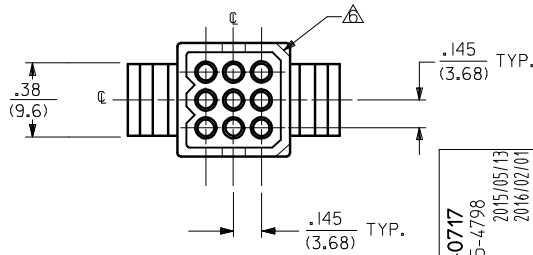




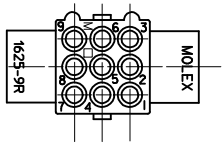
MOUNTING EAR
(WHEN SPECIFIED)
SEE DETAIL 3 OR 4
(2 PL.)



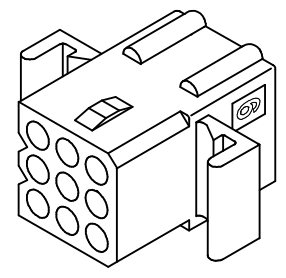
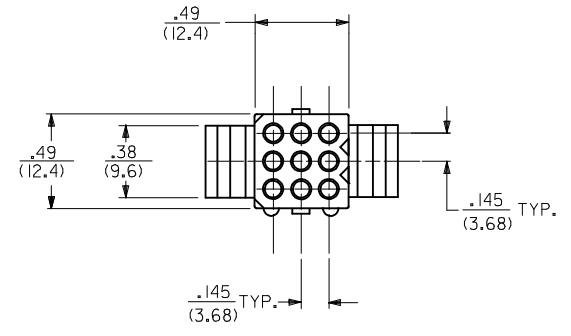
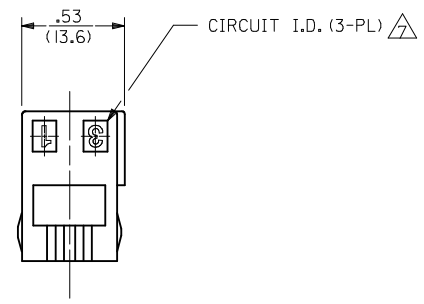
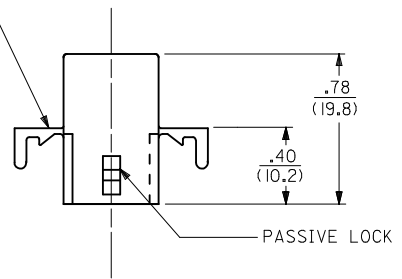
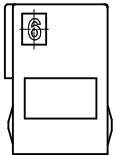
PLUG



ADD 46999-0717 EC NO: UCP2015-4798 DRWN:KIPPER 2015/05/13 CHKD:JBELL 2016/02/01 APPR:FSMITH 2016/07/11 S4 REV	QUALITY SYMBOLS	GENERAL TOLERANCES (UNLESS SPECIFIED)	DIMENSION STYLE	SCALE	DESIGN UNITS	THIRD ANGLE PROJECTION
	▽=0	mm INCH	IN/MM	1:1	INCH	☉ □
	▽=0	4 PLACES ± --- ± ---	DRAWN BY DATE	TITLE		
	▽=0	3 PLACES ± --- ±.010	JJS 1988/02/05	.062/(1.57) HOUSINGS PLUG & RECEPTACLE 9 CKT., .145/(3.68) CTRS		
▽=0	2 PLACES ± 0.25 ±.014	CHECKED BY DATE	DOCUMENT NO.			
	1 PLACE ± 0.36 ± ---	RW 1988/02/05	SD-1625-9*			
	0 PLACE ± --- ± ---	APPROVED BY DATE	SHEET NO.			
		RAS 1988/02/05	1 OF 3			
		MATERIAL NO.	THIS DRAWING CONTAINS INFORMATION THAT IS PROPRIETARY TO MOLEX INCORPORATED AND SHOULD NOT BE USED WITHOUT WRITTEN PERMISSION			
		ANGULAR ±1/2°				
		DRAFT WHERE APPLICABLE MUST REMAIN WITHIN DIMENSIONS				



OPTIONAL MOUNTING EARS
SEE DETAIL 3 OR 4
FOR VERSIONS AVAILABLE



RECEPTACLE

SEE SHEET 1 EC NO: UCP2015-4798 DRW:MKLIPPER 2015/05/13 CHKD:JBELL 2016/02/01 APPR:FSMITH 2016/07/11	QUALITY SYMBOLS ▽=0 ▽=0 ▽=0	GENERAL TOLERANCES (UNLESS SPECIFIED) mm INCH 4 PLACES ± --- ± --- 3 PLACES ± --- ± .010 2 PLACES ± 0.25 ± .014 1 PLACE ± 0.36 ± --- 0 PLACE ± --- ± --- ANGULAR ±1/2°	DIMENSION STYLE IN/MM DRAWN BY DATE JJS 1988/02/05 CHECKED BY DATE RW 1988/02/05 APPROVED BY DATE RAS 1988/02/05	SCALE 1:1	DESIGN UNITS INCH	THIRD ANGLE PROJECTION	
	DESCRIPTION S4	DRAFT WHERE APPLICABLE MUST REMAIN WITHIN DIMENSIONS	MATERIAL NO. SEE CHART	TITLE .062/(1.57) HOUSINGS PLUG & RECEPTACLE 9 CKT., .145/(3.68) CTRS	DOCUMENT NO. SD-1625-9*	SHEET NO. 2 OF 3	THIS DRAWING CONTAINS INFORMATION THAT IS PROPRIETARY TO MOLEX INCORPORATED AND SHOULD NOT BE USED WITHOUT WRITTEN PERMISSION
	MOLEX						
	INCORPORATED AND SHOULD NOT BE USED WITHOUT WRITTEN PERMISSION						

9 CIRCUIT PLUG

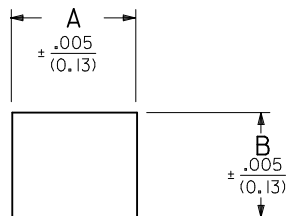
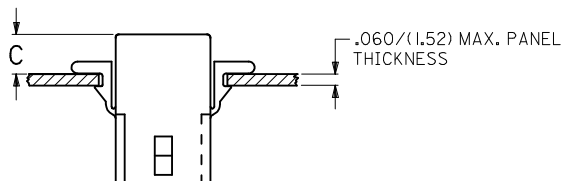
PART NO.	ENG. NO.	EARS	MATERIAL	COLOR
03-06-2091	1625-9P	STANDARD	A	NATURAL
03-06-2092	1625-9P1	NONE	A	NATURAL
X 23-06-2091	1625-9P-C	STANDARD	C	NATURAL
X 23-06-2092	1625-9P1-C	NONE	C	NATURAL
X 04-06-6091	1625-9P1-B	NONE	B	NATURAL
03-06-7091	1625-9PBK	STANDARD	A	BLACK
46999-0717	1625-9P4	PREBENT	A	NATURAL

X=NOT TOOLED

9 CIRCUIT RECEPTACLE

PART NO.	ENG. NO.	EARS	MATERIAL	COLOR
03-06-1091	1625-9R	STANDARD	A	NATURAL
03-06-1092	1625-9R1	NONE	A	NATURAL
X 23-06-1092	1625-9R1-C	NONE	C	NATURAL
03-06-6092	1625-9R1BK	NONE	A	BLACK
50-36-1871	1625-9R4	PREBENT	A	NATURAL
X 50-36-1872	1625-9R4-C	PREBENT	C	NATURAL

X=NOT TOOLED



RECEP.	.650 (16.51)	.552 (14.02)	.21 (5.3)	.22 (5.6)
PLUG	.752 (19.10)	.615 (15.62)	.20 (5.1)	.21 (5.3)
PART	DIM. A	DIM. B	DIM. C (STANDARD EAR)	DIM. C (PREBENT EAR)

RECOMMENDED HOLE PATTERN

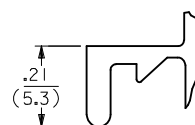
NOTES:

- MATERIAL CODES:
A-NYLON TYPE 6/6, 94V-2
B-NYLON TYPE 6/6, 94V-0
C-POLYPROPYLENE, 94V-0
- FINISH: NONE
- PRODUCT SPECIFICATION: PS-02-06
- PACKAGING SPECIFICATION: PK-1625-003
- HOUSINGS OF USE WITH MOLEX .062 DIAMETER TERMINALS.

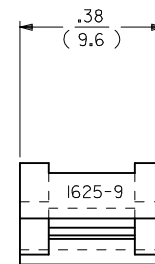
SOME PARTS MAY HAVE THIS CORNER CHAMFERED.

ETCHED CIRCUIT I.D. NUMBERS ON HOUSING MAY OR MAY NOT BE PRESENT.

8. PARTS CONFORM TO CLASS B REQUIREMENTS OF COSMETIC SPECIFICATION PS-45499-002.



DETAIL 3
STANDARD MOUNTING EAR
(SCALE 4:1)



DETAIL 4
PREBENT MOUNTING EAR
(SCALE 4:1)

SEE SHEET 1 EC NO: UCP2015-4798 DRW:KIPPER 2015/05/13 CHKD:JBELL 2016/02/01 APPR:FSMITH 2016/07/11	DESCRIPTION REV	QUALITY SYMBOLS ▽=0 ▽=0 ▽=0	GENERAL TOLERANCES (UNLESS SPECIFIED)		DIMENSION STYLE IN/MM		SCALE 1:1	DESIGN UNITS INCH	THIRD ANGLE PROJECTION
			mm	INCH	DRAWN BY JJS	DATE 1988/02/05	.062/(1.57) HOUSINGS PLUG & RECEPTACLE 9 CKT., .145/(3.68) CTRS molex		
			4 PLACES ± --- ± ---	3 PLACES ± --- ± .010	CHECKED BY RW	DATE 1988/02/05			
			2 PLACES ± 0.25 ± .014	1 PLACE ± 0.36 ± ---	APPROVED BY RAS	DATE 1988/02/05			
0 PLACE ± --- ± ---	ANGULAR ±1/2°		MATERIAL NO. SEE CHART	DOCUMENT NO. SD-1625-9*	SHEET NO. 3 OF 3				
DRAFT WHERE APPLICABLE MUST REMAIN WITHIN DIMENSIONS			SIZE C		THIS DRAWING CONTAINS INFORMATION THAT IS PROPRIETARY TO MOLEX INCORPORATED AND SHOULD NOT BE USED WITHOUT WRITTEN PERMISSION				