



Chipsmall Limited consists of a professional team with an average of over 10 year of expertise in the distribution of electronic components. Based in Hongkong, we have already established firm and mutual-benefit business relationships with customers from,Europe,America and south Asia,supplying obsolete and hard-to-find components to meet their specific needs.

With the principle of “Quality Parts,Customers Priority,Honest Operation,and Considerate Service”,our business mainly focus on the distribution of electronic components. Line cards we deal with include Microchip,ALPS,ROHM,Xilinx,Pulse,ON,Everlight and Freescale. Main products comprise IC,Modules,Potentiometer,IC Socket,Relay,Connector.Our parts cover such applications as commercial,industrial, and automotives areas.

We are looking forward to setting up business relationship with you and hope to provide you with the best service and solution. Let us make a better world for our industry!



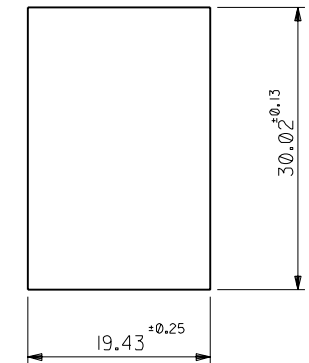
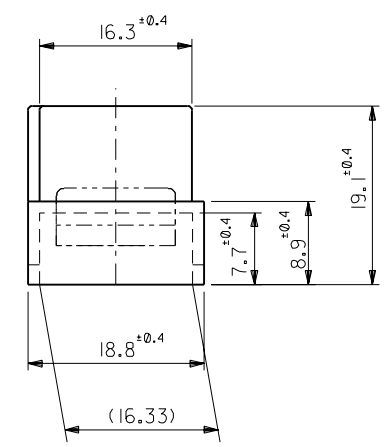
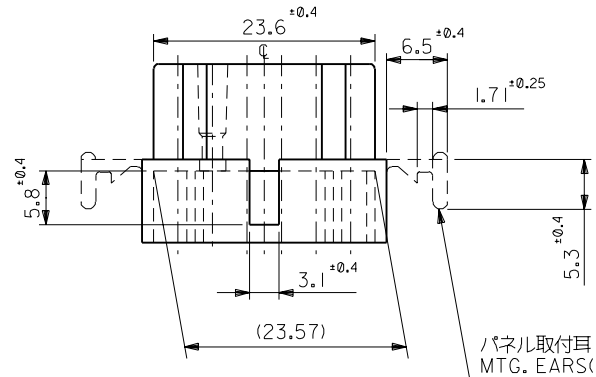
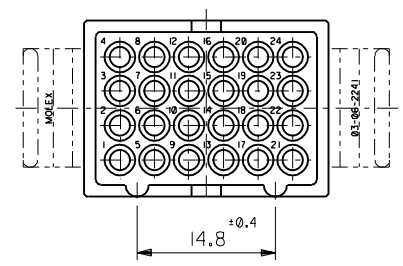
Contact us

Tel: +86-755-8981 8866 Fax: +86-755-8427 6832

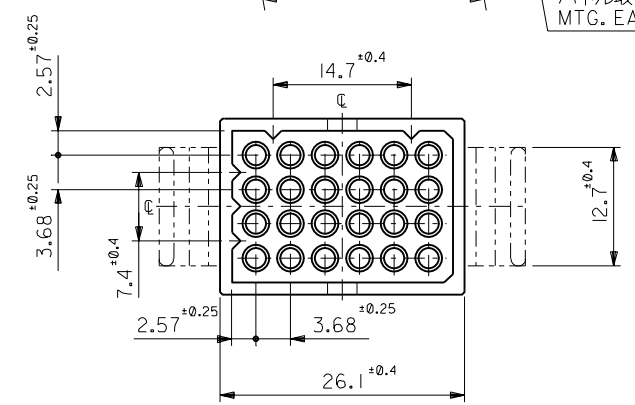
Email & Skype: info@chipsmall.com Web: www.chipsmall.com

Address: A1208, Overseas Decoration Building, #122 Zhenhua RD., Futian, Shenzhen, China





パネル取付穴寸法 (厚さ 1.52最大)
PANEL HOLE DIMENSION (THK. 1.52 MAX.)



パネル取付耳 (表参照)
MTG. EARS (SEE CHART)

注記
NOTES

- 材質: ZYTEL 101. (ナイロン66, 94V-2)
MATERIAL: ZYTEL 101. (NYLON66, 94V-2)
- () 内寸法は参考値
DIMENSIONS IN () ARE REFERENCES

1625-24P1	03-06-2242	無 WITHOUT
1625-24P	03-06-2241	有 WITH
ENG. NO.	PART NO.	MTG. EARS

材料 MATERIAL	図中参照 REFER TO DRAWING
仕上げ FINISH	—
適用電線範囲 WIRE RANGE	—
被覆外径 INS. RANGE	—
DRAWN BY '96/07/10 H.IIJJIMA	CHK'D BY '96/07/10 M.FUKUSHIMA
APP'D BY '96/07/10 M.ENOMOTO	尺 度 SCALE 2 : 1
再作図 REDRAWN	DR. CHK. DATE
変更内容 REVISION RECORD	記号 LTR
一般公差 GENERAL TOLERANCES	

MOLEX-JAPAN CO.,LTD. 日本モレックス株式会社	
REVISE ONLY ON CAD SYSTEM	
TITLE 名称	
.062 DIA. 24 CIRCUIT PLUG HOUSING	
DWG. NO.	REV
SD-1625-24P*	A