



Chipsmall Limited consists of a professional team with an average of over 10 year of expertise in the distribution of electronic components. Based in Hongkong, we have already established firm and mutual-benefit business relationships with customers from,Europe,America and south Asia,supplying obsolete and hard-to-find components to meet their specific needs.

With the principle of “Quality Parts,Customers Priority,Honest Operation,and Considerate Service”,our business mainly focus on the distribution of electronic components. Line cards we deal with include Microchip,ALPS,ROHM,Xilinx,Pulse,ON,Everlight and Freescale. Main products comprise IC,Modules,Potentiometer,IC Socket,Relay,Connector.Our parts cover such applications as commercial,industrial, and automotives areas.

We are looking forward to setting up business relationship with you and hope to provide you with the best service and solution. Let us make a better world for our industry!



Contact us

Tel: +86-755-8981 8866 Fax: +86-755-8427 6832

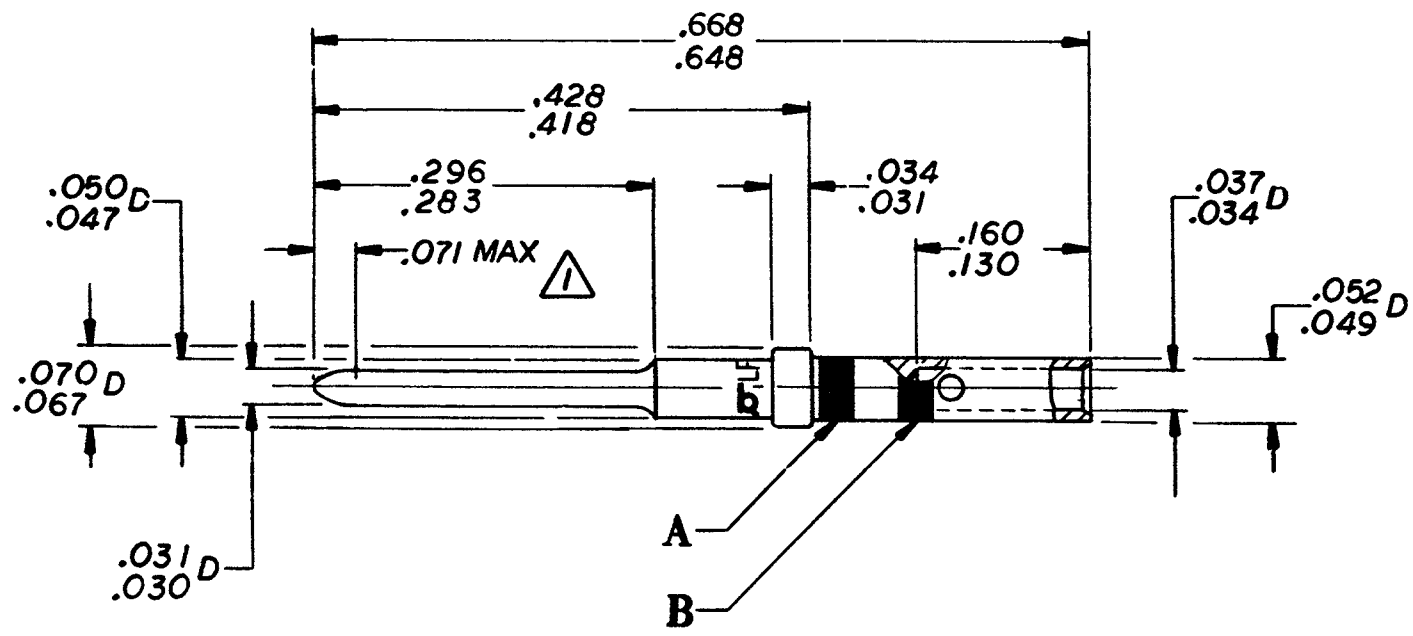
Email & Skype: info@chipsmall.com Web: www.chipsmall.com

Address: A1208, Overseas Decoration Building, #122 Zhenhua RD., Futian, Shenzhen, China

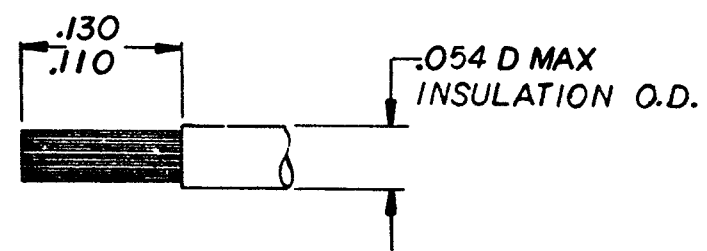


THIS IS ISSUED IN STRICT CONFIDENCE ON CONDITION THAT IT IS NOT USED AS A BASIS FOR MANUFACTURE OR SALE, AND THAT IT IS NOT COPIED, REPRINTED OR DISCLOSED TO A THIRD PARTY EITHER WHOLLY OR IN PART WITHOUT THE PRIOR WRITTEN CONSENT OF ITT CANNON ELECTRIC.

REVISIONS				
ZONE	LTR	DESCRIPTION	DATE	APPROVED
	G	REDRAWN TO LATEST STANDARDS DCIN 115270	9/1/81	P.O.B



WIRE ACCOM	CRIMP TOOL PART NUMBER	LOCATOR PART NUMBER	INSERT/EXT. TOOL PART NUMBER
22,24,26	M22520/2-01	M22520/2-23	CIT-DPXMA-22-1 CET-DPXMA-22 CIET-22



WIRE STRIP DIMENSION

COLOR BAND IDENTIFICATION

BAND A ORANGE
BAND B GREEN

NOTES: UNLESS OTHERWISE SPECIFIED.
△ ELECTRICAL ENGAGEMENT POINT.

REFERENCE ARINC 600		INTENDED USE CUSTOMER USE		PART NUMBER 030-2259-000						
DIMENSIONS IN INCHES, TOLERANCES FOR DECIMALS AND ANGLES AS SHOWN DO NOT SCALE		PRODUCT SAFETY REVIEWED BY <i>Paul P. Curran</i> 17 Sept 81								
MATERIAL COPPER ALLOY		REFERENCE DOCUMENT								
FINISH GOLD OVER NICKEL		REVIEWED-MATERIALS & PROCESS		CONTACT, PIN BKAD/DPXMA SIZE 2222 LOW INSERTION FORCE						
TREATMENT		APPROVED <i>[Signature]</i> 10/1/81		<table border="1"> <tr> <td>SIZE</td> <td>CODE IDENT NO.</td> </tr> <tr> <td>C</td> <td>71468</td> </tr> </table>		SIZE	CODE IDENT NO.	C	71468	
SIZE	CODE IDENT NO.									
C	71468									
		APPROVED		<table border="1"> <tr> <td>SCALE</td> <td>NONE</td> <td>WT.</td> <td></td> <td>SHEET 1 OF 1</td> </tr> </table>		SCALE	NONE	WT.		SHEET 1 OF 1
SCALE	NONE	WT.		SHEET 1 OF 1						

030-2259-000