



Chipsmall Limited consists of a professional team with an average of over 10 year of expertise in the distribution of electronic components. Based in Hongkong, we have already established firm and mutual-benefit business relationships with customers from,Europe,America and south Asia,supplying obsolete and hard-to-find components to meet their specific needs.

With the principle of “Quality Parts,Customers Priority,Honest Operation,and Considerate Service”,our business mainly focus on the distribution of electronic components. Line cards we deal with include Microchip,ALPS,ROHM,Xilinx,Pulse,ON,Everlight and Freescale. Main products comprise IC,Modules,Potentiometer,IC Socket,Relay,Connector.Our parts cover such applications as commercial,industrial, and automotives areas.

We are looking forward to setting up business relationship with you and hope to provide you with the best service and solution. Let us make a better world for our industry!



Contact us

Tel: +86-755-8981 8866 Fax: +86-755-8427 6832

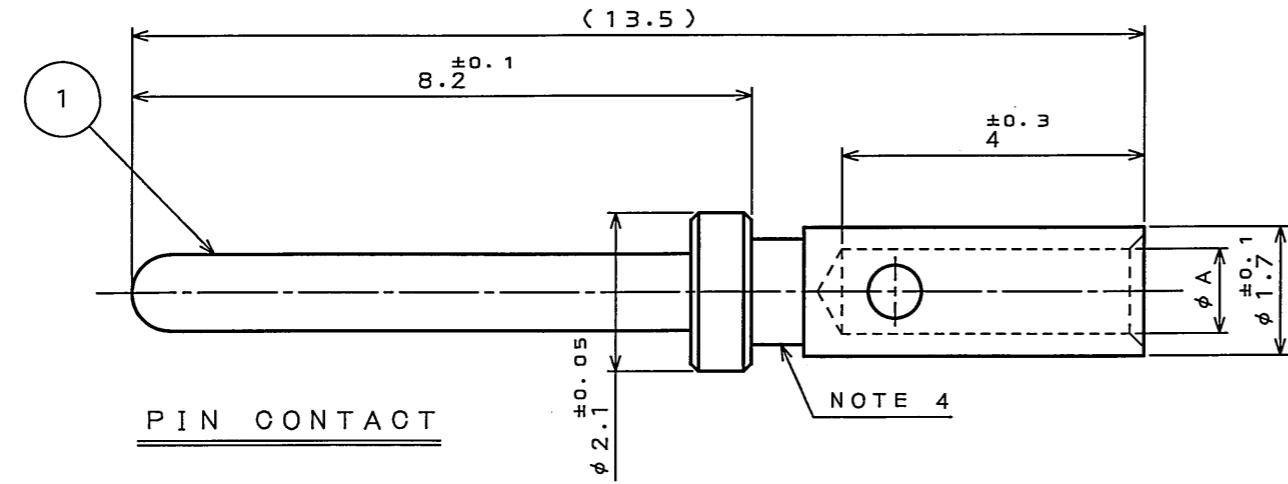
Email & Skype: info@chipsmall.com Web: www.chipsmall.com

Address: A1208, Overseas Decoration Building, #122 Zhenhua RD., Futian, Shenzhen, China

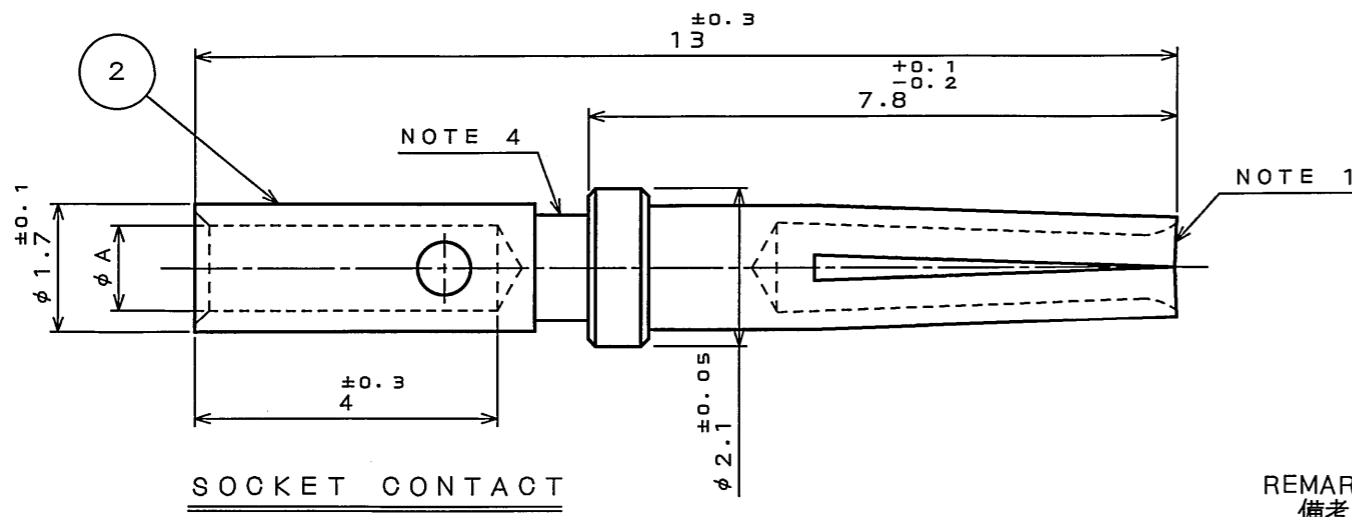


996Z10RS
('ON 0NIMVHD) 台 票 号 图

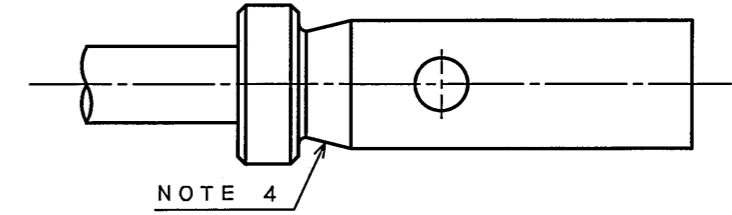
版 数 REV.	年 月 日 DATE	DCN NO.	变 更 内 容 DESCRIPTION	製 図 DR.	担 当 CHK.	查 閱 APPD.	承 認 APPD.
8	20.Jun.2006	060442	REDRAWN AND CHANGED TO SI UNIT SYSTEM	M.ABE	Y.TAKAGI	-	J. Shibata



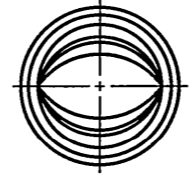
PIN CONTACT



SOCKET CONTACT



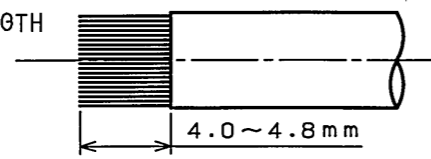
OPTIONAL CONFIGURATION
別途形状



REMARKS
備考

NOTE1. INSERTION/EXTRACTION FORCE OF SOCKET CONTACT IS AS FOLLOWS:
 △・INSERTION FORCE - 3.33N MAX. BY THE USE OF MAXIMUM TEST PIN(φ1.041⁰_{-0.003})
 △・EXTRACTION FORCE - 0.28N MIN. BY THE USE OF MINIMUM TEST PIN(φ0.991⁺⁰_{0.003})

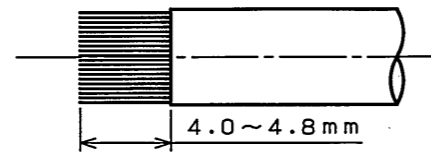
2. INSULATION STRIPPING LENGTH



3. FOR CRIMPING AND ASSEMBLYING, REFER TO T72-17 AND T73-13.
 4. EITHER OF THIS CONFIGURATION WILL DO.

注1. ソケットコンタクトの挿入抜去力は下記の通りです。
 △・最大テストピン(φ1.041⁰_{-0.003})での挿入力は3.33N以下であること。
 △・最小テストピン(φ0.991⁺⁰_{0.003})での抜去力は0.28N以上であること。

2. 被覆線むき長さ



3. 圧着及び組立に付いては、T72-17及びT73-13を参照下さい。
 4. この部分の形状は双方どちらでもよい。

CONTACT PART NUMBER コンタクト品名	PARTS NUMBER 部品番号	APPLICABLE WIRE SIZE (AWG) 適合電線サイズ	A ^{±0.02} φ	CRIMPING TOOL 圧着工具		INSERTION EXTRACTION TOOL 挿入離脱工具
				MAIN BODY 本体	LOCATOR ロケータ	
D*0 20	PIN 030-50635 SOCKET 030-50634	#24,22,20	φ 1.12	M22520/2-01	JP-D*0-20-20	J1ET-D*0-20 OR ET-20D
D*0 20-26	PIN 030-50641 SOCKET 030-50640	#30,28,26	φ 0.62			

2	SOCKET CONTACT	—	COPPER ALLOY	GOLD PLATING OVER NICKEL	
1	PIN CONTACT	—	COPPER ALLOY	GOLD PLATING OVER NICKEL	
符号 NO.	名 称 DESCRIPTION	個 数 QTY.	材 料 MATERIAL	仕 上 FINISH	備 考 REMARKS
仕様書(SPECIFICATION)		第1版(OBJECTIVE DATE) 19.Nov.1971		尺 度(SCALE) 10:1	シ リ ー ス(SERIES) D-sub
公差(GENERAL TOLERANCE)		製 図 DR. SUGASAWA		名 称(TITLE)	
寸法(DIMENSION)		担 当 CHK. OOYAMA YAMANOE		D*0 #20	
角 度(ANGLES)		查 閲 APPD. YAJIMA		PIN & SOCKET CONTACT	
. ±		承 認 APPD. KITAMURA		質 量(MASS)	
.X ±				図面番号(DRAWING NO.)	
.XX ±				SJ012966	
.XXX ±				版 数 (REV.)	
				8	

DOF-0-212F(05.08)

