



Chipsmall Limited consists of a professional team with an average of over 10 year of expertise in the distribution of electronic components. Based in Hongkong, we have already established firm and mutual-benefit business relationships with customers from,Europe,America and south Asia,supplying obsolete and hard-to-find components to meet their specific needs.

With the principle of “Quality Parts,Customers Priority,Honest Operation,and Considerate Service”,our business mainly focus on the distribution of electronic components. Line cards we deal with include Microchip,ALPS,ROHM,Xilinx,Pulse,ON,Everlight and Freescale. Main products comprise IC,Modules,Potentiometer,IC Socket,Relay,Connector.Our parts cover such applications as commercial,industrial, and automotives areas.

We are looking forward to setting up business relationship with you and hope to provide you with the best service and solution. Let us make a better world for our industry!



## Contact us

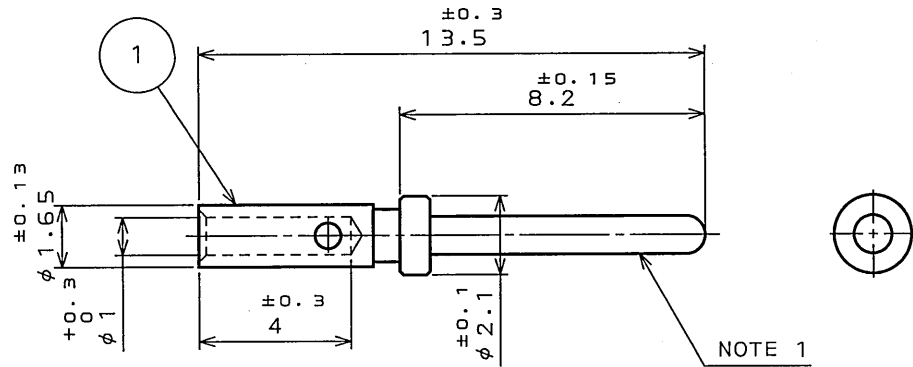
Tel: +86-755-8981 8866 Fax: +86-755-8427 6832

Email & Skype: info@chipsmall.com Web: www.chipsmall.com

Address: A1208, Overseas Decoration Building, #122 Zhenhua RD., Futian, Shenzhen, China



版数 REV.	年月日 DATE	DCN NO.	変更内容 DESCRIPTION	製図 DR.	担当 CHK.	査閲 APPD.	承認 APPD.
3	30.Jun.2005	057603	CHANGE TO BILINGUAL	H.SAKURADA	T.NOMIYAMA	—	<i>J. Hashimoto</i>



REMARKS  
備考

PART NUMBER 品名	APPLICABLE WIRE 適合電線サイズ (AWG)	CRIMPING TOOL 圧着工具		INSERTION/EXTRACTION TOOL 挿入離脱工具
		BODY 本体	LOCATOR □ケータ	
030-50635 (D*C#20P/C)	#24,22 20	M22520 2-01	JP-D*C -20-20	JJET-D*C-20 (PLASTIC) ET-20D(METALLIC)

NOTE1.REFER T72-17 AND T73-13 FOR CRIMPING AND ASSEMBLING.

注1.圧着及び組立についてはT72-17及びT73-13を参照のこと。

1	PIN CONTACT	—	COPPER ALLOY	GOLD PLATING OVER NICKEL	NI: 1.5µmMIN. Au: 0.1µmMIN.
符号 NO.	名称 DESCRIPTION	個数 QTY.	材料 MATERIAL	仕上 FINISH	備考 REMARKS
仕様書(SPECIFICATION)	第1版(ORIGINAL DATE) 25.Mar.1987		名称(TITLE) (D*C#20 P/C) 030-50635		日本航空電子工業株式会社 JAPAN AVIATION ELECTRONICS INDUSTRY, LTD.
一般公差(GENERAL TOLERANCE)	製図 DR. TAKAMIZU		担当 CHK. HAYASHI		図面番号(DRAWING NO.) SJ021958
寸法(DIMENSION)	角度(ANGLES)	査閲 APPD. TAKEUCHI	承認 APPD. HASHIMOTO		
· ±	×° ±	· × ±	シリーズ(SERIES) D-sub		
· × ±	×° × ±	· × × ±	尺度(SCALE) 5:1		
· × × ±	×° × × ±	· × × × ±			版数 (REV.) 3

DOF-0-211E(03-08)