



Chipsmall Limited consists of a professional team with an average of over 10 year of expertise in the distribution of electronic components. Based in Hongkong, we have already established firm and mutual-benefit business relationships with customers from,Europe,America and south Asia,supplying obsolete and hard-to-find components to meet their specific needs.

With the principle of “Quality Parts,Customers Priority,Honest Operation,and Considerate Service”,our business mainly focus on the distribution of electronic components. Line cards we deal with include Microchip,ALPS,ROHM,Xilinx,Pulse,ON,Everlight and Freescale. Main products comprise IC,Modules,Potentiometer,IC Socket,Relay,Connector.Our parts cover such applications as commercial,industrial, and automotives areas.

We are looking forward to setting up business relationship with you and hope to provide you with the best service and solution. Let us make a better world for our industry!



## Contact us

Tel: +86-755-8981 8866 Fax: +86-755-8427 6832

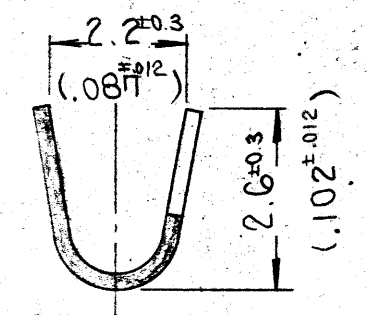
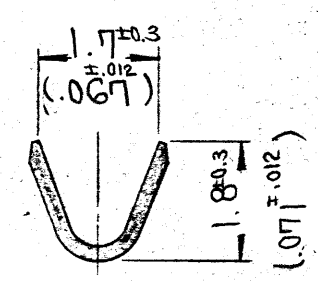
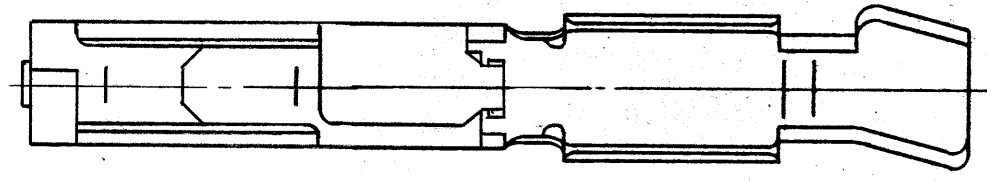
Email & Skype: info@chipsmall.com Web: www.chipsmall.com

Address: A1208, Overseas Decoration Building, #122 Zhenhua RD., Futian, Shenzhen, China

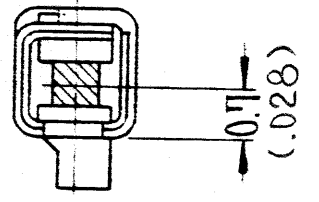
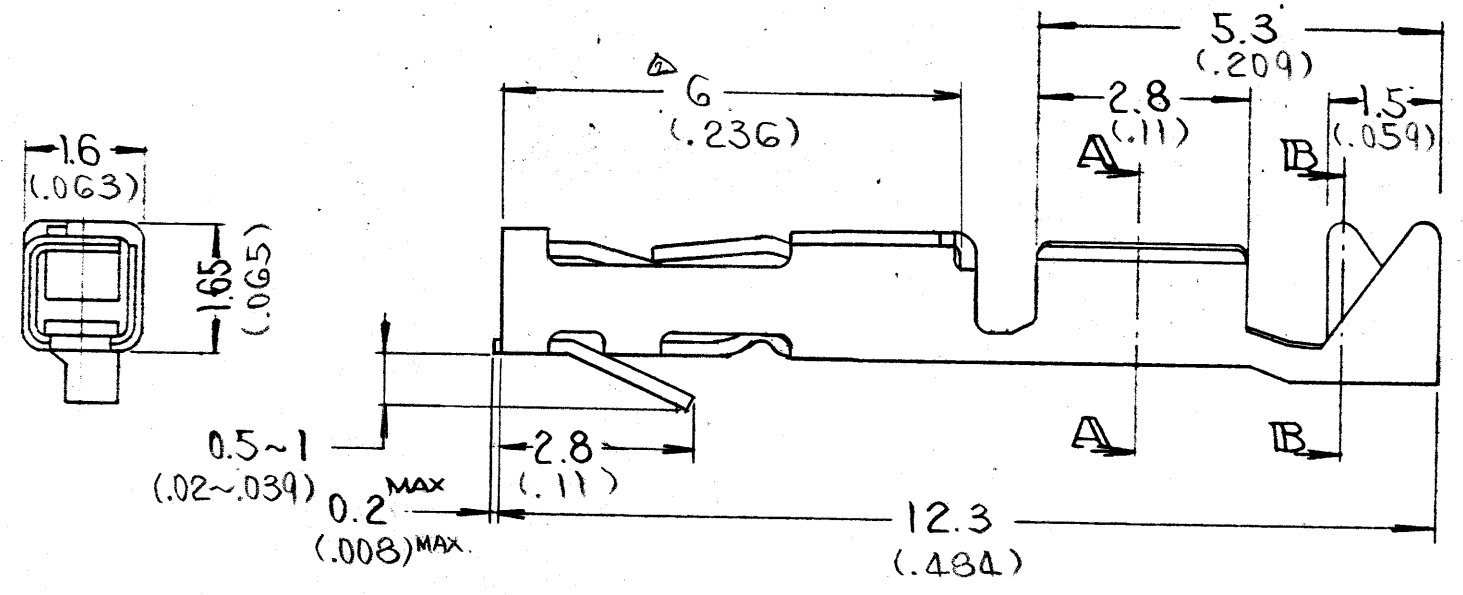


DWG. NO. SJ016352E SYM. 3

SYM.	DCN NO.	DESCRIPTION	DATE	DRAWN	CHECKED	APP'D	APP'D
2	15116	6.5(.256) → 6(.236)	4.MAR.1982	M. Sasaki	Y. Nagashita	T. Yajima	
3	50963	CHANGED TO SI UNIT SYSTEM	13.Nov.2002	M. Sasaki	K. Kawase	S. Kashiwagi	



SECTION A-A (CONTACT CRIMPING BARREL) SECTION B-B (INSULATION CRIMPING BARREL)



CROSS SECTION (MATED WITH PIN)

TABLE 1. PART NO. DIMENSIONS AND CONTACT FINISH

PART NO.	PART NAME	FINISH	
		MATING PORTION	OTHER AREA
030-51307-001	PS-SF-C1-1	GOLD FLASH OVER NICKEL	GOLD FLASH OVER NICKEL
↑ -002	↑ -2	GOLD, 0.3 μm MIN Δ OVER NICKEL	GOLD FLASH OVER NICKEL
030-51307-003	PS-SF-C1-3	GOLD, 0.76 μm MIN Δ OVER NICKEL	GOLD FLASH OVER NICKEL

- NOTE 1. MATING PIN SIZE : 0.64<sup>±0.05</sup> (.025<sup>±.002</sup>)<sup>φ</sup>  
 2. USABLE WIRE SIZE : STRANDED WIRE, AWG 22 TO AWG 24  
 OUTER DIA. (INCLUDING INSULATION) : 1.2 (.047) TO 1.6 (.063)

ITEM	DESCRIPTION	Q'TY	MATERIAL	FINISH	PART NO.
	(PS-SF-C1) JAE CONNECTOR				030-51307-00*

UNLESS OTHERWISE SPECIFIED				DATE	22-JUN-1981
DIMENSIONS ARE IN MILLIMETERS				DRAWN	E. MURANO
TOLERANCES ON: (INCHES)				CHECKED	Y. Nagashita
FRACTIONS	DECIMALS	ANGLES	APP'D	Y. Nagashita	
			APP'D	K. Katoh	
TREATMENT OR FINISH				t0.2 PHOSPHOR BRONZE	

NEXT ASS'Y	USED ON	NEXT ASS'Y	FINAL ASS'Y
APPLICATION		QTY REQ'D	

TITLE		JAPAN AVIATION ELECTRONICS IND. CO. LTD. FACTORY	
(PS-SF-C1) JAE CONNECTOR		NAKAGAMI-CHO, AKISHIMA-SHI TOKYO, JAPAN	
030-51307-00*		Reference Only	
SCALE	× 10	DWG. SIZE	B WT.
SHEET		DWG. NO. SJ016352-E	