



Chipsmall Limited consists of a professional team with an average of over 10 year of expertise in the distribution of electronic components. Based in Hongkong, we have already established firm and mutual-benefit business relationships with customers from,Europe,America and south Asia,supplying obsolete and hard-to-find components to meet their specific needs.

With the principle of “Quality Parts,Customers Priority,Honest Operation,and Considerate Service”,our business mainly focus on the distribution of electronic components. Line cards we deal with include Microchip,ALPS,ROHM,Xilinx,Pulse,ON,Everlight and Freescale. Main products comprise IC,Modules,Potentiometer,IC Socket,Relay,Connector.Our parts cover such applications as commercial,industrial, and automotives areas.

We are looking forward to setting up business relationship with you and hope to provide you with the best service and solution. Let us make a better world for our industry!



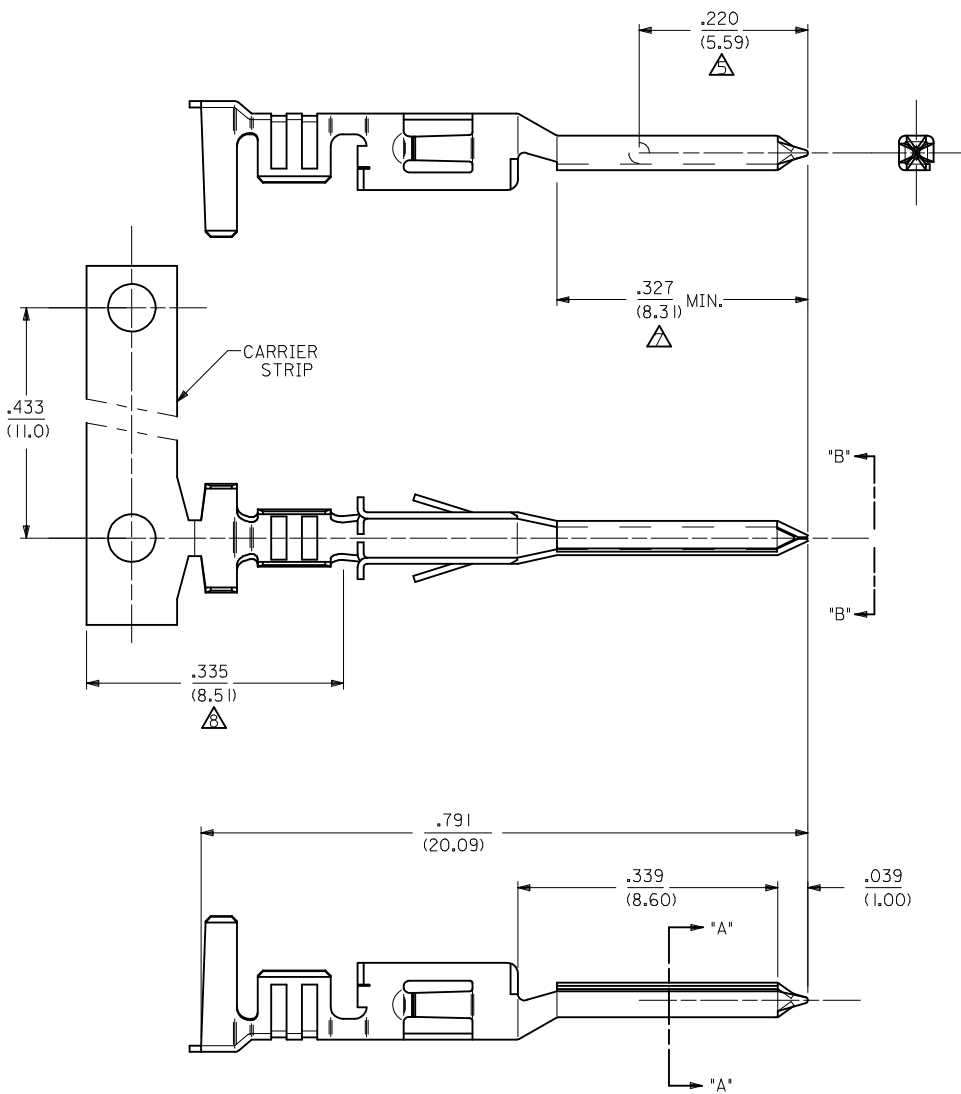
Contact us

Tel: +86-755-8981 8866 Fax: +86-755-8427 6832

Email & Skype: info@chipsmall.com Web: www.chipsmall.com

Address: A1208, Overseas Decoration Building, #122 Zhenhua RD., Futian, Shenzhen, China

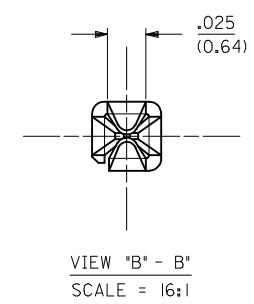
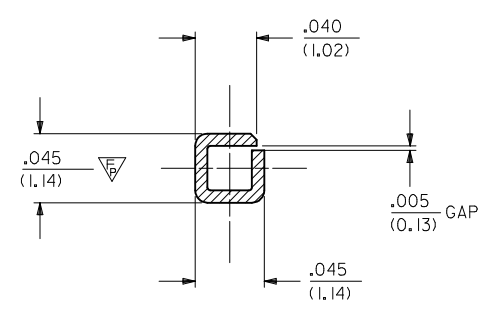
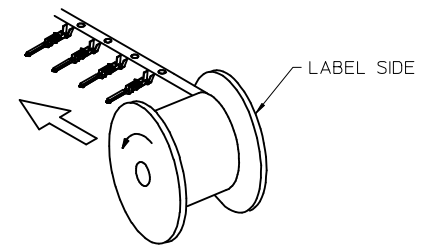




NOTES:

- 1- MATERIAL: PHOSPHOR BRONZE ALLOY
 - 2- FINISH:
 - (A) - SELECTIVE GOLD PLATE .000030/(0.00076)MIN., AND SELECTIVE TIN .000100/(0.00254) OVER .000050/(0.00127) NICKEL OVERALL.
 - (B) - .000100/(0.00254) TIN OVER .000050/(0.00127) NICKEL.
 - 3- PRODUCT SPECIFICATION: TBD.
 - 4- PACKAGING INFORMATION: SEE CHART FOR CHAIN PK-5556-003 FOR LOOSE TERMINALS
- ▲ - MEASURING POINT FOR PLATING THICKNESS.
 ▽ - 6-TERMINAL CANNOT BE USED IN 42475 OR 43558 HOUSINGS.
 ▲ - GOLD PLATING AREA.
 ▲ - TIN PLATING AREA.

RIGHT TO LEFT UNREELING



SECTION "A - A"
SCALE = 16:1

30490-2012	B	LOOSE		4000	18-24
30490-2002		CHAIN	RIGHT TO LEFT		
30490-1012	A	LOOSE		4000	18-24
30490-1002		CHAIN	RIGHT TO LEFT		
ITEM NO.	PLATING	FORM	UNREEL DIRECTION	QTY. PER REEL	WIRE GAGE

UPDATE TABLE EC NO: UCP2014-3954 DRAWINGUYEN 2014/04/07 CHKD:JBELL 2014/04/07 APPR:FSMITH 2014/05/16 F4	QUALITY SYMBOLS	GENERAL TOLERANCES (UNLESS SPECIFIED)	DIMENSION STYLE	SCALE	DESIGN UNITS	THIRD ANGLE PROJECTION
	▽=0	mm INCH	IN/MM	8:1	INCH	
	▽=0	4 PLACES ± --- ± ---	DRAWN BY	DATE	TITLE	
	▽=2	3 PLACES ± --- ± .010	BBW	92/ 1/22	MALE CRIMP TERMINAL MINI-FIT STYLE	
		2 PLACES ± 0.25 ± .015	CHECKED BY	DATE		
		1 PLACE ± 0.38 ± ---	APPROVED BY	DATE		
		0 PLACE ± ±	JAMARA	2011/01/28		
		ANGULAR ± 5 °	MATERIAL NO.	DOCUMENT NO.		
		DRAFT WHERE APPLICABLE MUST REMAIN WITHIN DIMENSIONS	SEE CHART	SD-30490-***2		
			SIZE			SHEET NO.
						1 OF 1

THIS DRAWING CONTAINS INFORMATION THAT IS PROPRIETARY TO MOLEX INCORPORATED AND SHOULD NOT BE USED WITHOUT WRITTEN PERMISSION