



Chipsmall Limited consists of a professional team with an average of over 10 year of expertise in the distribution of electronic components. Based in Hongkong, we have already established firm and mutual-benefit business relationships with customers from,Europe,America and south Asia,supplying obsolete and hard-to-find components to meet their specific needs.

With the principle of “Quality Parts,Customers Priority,Honest Operation,and Considerate Service”,our business mainly focus on the distribution of electronic components. Line cards we deal with include Microchip,ALPS,ROHM,Xilinx,Pulse,ON,Everlight and Freescale. Main products comprise IC,Modules,Potentiometer,IC Socket,Relay,Connector.Our parts cover such applications as commercial,industrial, and automotives areas.

We are looking forward to setting up business relationship with you and hope to provide you with the best service and solution. Let us make a better world for our industry!



Contact us

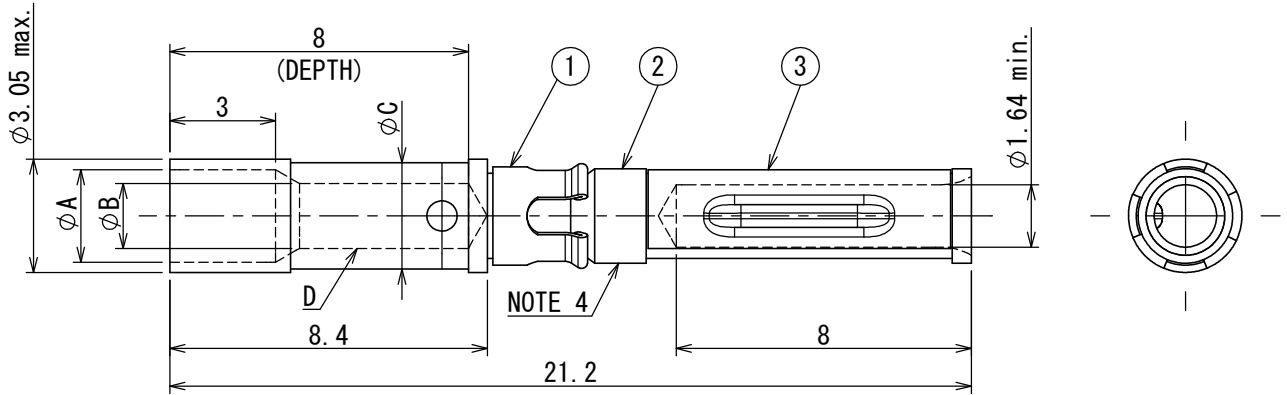
Tel: +86-755-8981 8866 Fax: +86-755-8427 6832

Email & Skype: info@chipsmall.com Web: www.chipsmall.com

Address: A1208, Overseas Decoration Building, #122 Zhenhua RD., Futian, Shenzhen, China



版数 VER.	年月日 DATE	CN NO.	変更内容 DESCRIPTION	製図 DR.	担当 CHK.	査閲 APPD.	承認 APPD.
11	01/APR/2005	057061	REDRAWN	H. SAKURADA	K. HARIGAYA	E. MATSUMOTO	M. MAJIME
12	04/MAR/2014	009104	REVISED NOTE (REVISION MARK:2)	—	T. TAKESHITA	K. HARIGAYA	E. MATSUMOTO



図番 PART NUMBER	サイズ SIZE	φA	φB	φC	クリップの色相 CLIP COLOR	適用電線 APPLICABLE WIRE SIZE
031-50675	16-16	2.5	1.75	2.8	BLUE	AWG#16~#20 (1.3mm ² ~0.5mm ²)
031-50676	16-20A	2.7	1.2	1.8	GREEN	AWG#20~#24 (0.5mm ² ~0.2mm ²)
031-50677	16-20	1.7	1.2	1.8	RED	AWG#20~#24 (0.5mm ² ~0.2mm ²)
031-50794	16-14	2.5	2.1	2.9	—	AWG#14~#16 (2mm ² ~1.25mm ²)

- NOTE 1. THIS CONTACT AND THE CONNECTOR SHALL BE ORDERED SEPARATELY.
 2. CONTACT CRIMPING TOOL, LOCATOR AND HANDLING MANUAL
 CONTACT CRIMPING TOOL: M22520/1-01 (T73-18-M, T73-18-S)
 LOCATOR : JP-QE-16-16 (T73-18-2) OR JP2-QE-16 (T706174)
 3. THE VALUE INSIDE () OF THE PLATING THICKNESS SHOWS THE INNER DIAMETER OF CRIMP POT (D PORTION).
 4. THE PLATING THICKNESS OF THIS PLACE SHALL BE SATISFIED WITH THE FOLLWOING CONTACT PLATING THICKNESS.

- 注1. 本コンタクトとコネクタは別オーダーである。
 2. 使用圧着工具とロケータ及び取扱説明書
 圧着工具: M22520/1-01 (T73-18-M, T73-18-S)
 ロケータ: JP-QE-16-16 (T73-18-2) 又は JP2-QE-16 (T706174)
 3. めっき厚の()内数値は、クリンプポット内径(D部分)である。
 4. この箇所でのめっき厚を測定した時、下記コンタクトのめっき厚の値を満足すること。

3	SPRING	1	COPPER ALLOY	GOLD OVER NICKEL PLATING	Ni-1.5μmMIN. Au-0.75μmMIN.
2	SOCKET CONTACT BODY	1	COPPER ALLOY	GOLD OVER NICKEL PLATING	Ni-1.5μmMIN. (0.6μmMIN.) Au-0.75μmMIN. (0.3μmMIN.)
1	CLIP	1	COPPER ALLOY	SILVER PLATING	Ag-2.5μmMIN.
符号 NO.	名 称 DESCRIPTION	個 数 QTY.	材 料 MATERIAL	仕 上 FINISH	備 考 REMARKS

仕様書 (SPECIFICATION)		第1版 (ORIGINAL DATE)		名称 (TITLE)		日本航空電子工業株式会社									
JACS-3024、J AHL-3024		14/DEC/1973		031-***** (QES-16-**)		JAE JAPAN AVIATION ELECTRONICS INDUSTRY, LTD.									
一般公差 (GENERAL TOLERANCE)		製図 DR.	—	シリーズ (SERIES)		図面番号 (DRAWING NO.)									
寸法 (DIMENSION)		担当 CHK.	Y. NISHINO					尺度 (SCALE)		SJ013833					
角度 (ANGLES)		査閲 APPD.	KATOU									5:1		版数 (VER.)	
単位 (UNIT) : mm		承認 APPD.	NITA												
± × ±0.5 ×× ±0.2 ××× ± ×××× ±				×° ± ×° ×' ±											

DCF-C-211H(12.08)

S/W