



Chipsmall Limited consists of a professional team with an average of over 10 year of expertise in the distribution of electronic components. Based in Hongkong, we have already established firm and mutual-benefit business relationships with customers from,Europe,America and south Asia,supplying obsolete and hard-to-find components to meet their specific needs.

With the principle of "Quality Parts,Customers Priority,Honest Operation,and Considerate Service",our business mainly focus on the distribution of electronic components. Line cards we deal with include Microchip,ALPS,ROHM,Xilinx,Pulse,ON,Everlight and Freescale. Main products comprise IC,Modules,Potentiometer,IC Socket,Relay,Connector.Our parts cover such applications as commercial,industrial, and automotives areas.

We are looking forward to setting up business relationship with you and hope to provide you with the best service and solution. Let us make a better world for our industry!



## Contact us

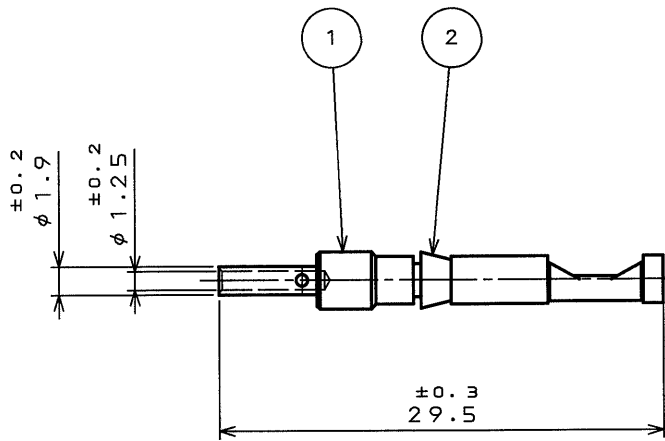
Tel: +86-755-8981 8866 Fax: +86-755-8427 6832

Email & Skype: info@chipsmall.com Web: www.chipsmall.com

Address: A1208, Overseas Decoration Building, #122 Zhenhua RD., Futian, Shenzhen, China



版数 REV.	年月日 DATE	DCN NO.	変更内容 DESCRIPTION	製図 DR.	担当 CHK.	査閲 APPD.	承認 APPD.
3	11.Oct.2000	46972	REDRAWN	T.SUZUKI	T.SUZUKI	S.Nanao	M.Hajime



NOTE 1.APPRICABLE WIRE : 0.3mm<sup>2</sup>~0.5mm<sup>2</sup>

2.CRIMPING TOOL AND LOCATOR:M22520/1-01,JP-GTC-16

注1.使用ケーブル : 0.3mm<sup>2</sup>~0.5mm<sup>2</sup>

2.使用圧着工具とロケータ : M22520/1-01,JP-GTC-16

JAE Connector Div. Proprietary. Copyright © Japan Aviation Electronics Industry Ltd. DOF-0-211D(98.02)

					重量 WEIGHT	1.10
3	SPRING	1	COPPER ALLOY	GOLD PLATING		
2	CONTACT	1	COPPER ALLOY	GOLD PLATING		
1	CLIP	1	SYNTHETIC RESIN	NONE	COLOR: RED	
符号 NO.	名称 DESCRIPTION	個数 QTY.	材料 MATERIAL	仕上 FINISH	備考 REMARKS	
仕様書(SPECIFICATION)		第1版(ORIGINAL DATE) 25.Mar.1978		名称(TITLE) 031-50722-002 (CONT-GTC16S -2-A528)		
公差(GENERAL TOLERANCE)		製図 DR.	日本航空電子工業株式会社			
寸法(DIMENSION)		担当 CHK.	Reference Only			
角度(ANGLES)		査閲 APPD.	AVIATION ELECTRONICS INDUSTRY, LTD.			
±0.8		承認 APPD.	図面番号(DRAWING NO.)			
±0.4		SJ015647				
±0.1		シリーズ(SERIES) 尺度(SCALE)				
±		GTC 1:1				

本図面は日本航空電子工業(株)の所有する情報を含むもので当社の許可なく複製を禁止する。  
THIS DRAWING CONTAINS INFORMATION THAT IS PROPRIETARY TO JAE AND CAN NOT BE REPRODUCED WITHOUT WRITTEN CONSENT OF JAE

CDS-3070  
SIZE 4  
REV. 3