



Chipsmall Limited consists of a professional team with an average of over 10 year of expertise in the distribution of electronic components. Based in Hongkong, we have already established firm and mutual-benefit business relationships with customers from,Europe,America and south Asia,supplying obsolete and hard-to-find components to meet their specific needs.

With the principle of “Quality Parts,Customers Priority,Honest Operation,and Considerate Service”,our business mainly focus on the distribution of electronic components. Line cards we deal with include Microchip,ALPS,ROHM,Xilinx,Pulse,ON,Everlight and Freescale. Main products comprise IC,Modules,Potentiometer,IC Socket,Relay,Connector.Our parts cover such applications as commercial,industrial, and automotives areas.

We are looking forward to setting up business relationship with you and hope to provide you with the best service and solution. Let us make a better world for our industry!



Contact us

Tel: +86-755-8981 8866 Fax: +86-755-8427 6832

Email & Skype: info@chipsmall.com Web: www.chipsmall.com

Address: A1208, Overseas Decoration Building, #122 Zhenhua RD., Futian, Shenzhen, China



版数 REV.	年月日 DATE	DCN NO.	変更内容 DESCRIPTION	製図 DR.	担当 CHK.	査閲 APPD.	承認 APPD.
4	8.Aug.2005	058017	REDRAWN	—	K.HARIOAYA	E. Matsumoto	A. Onogawa

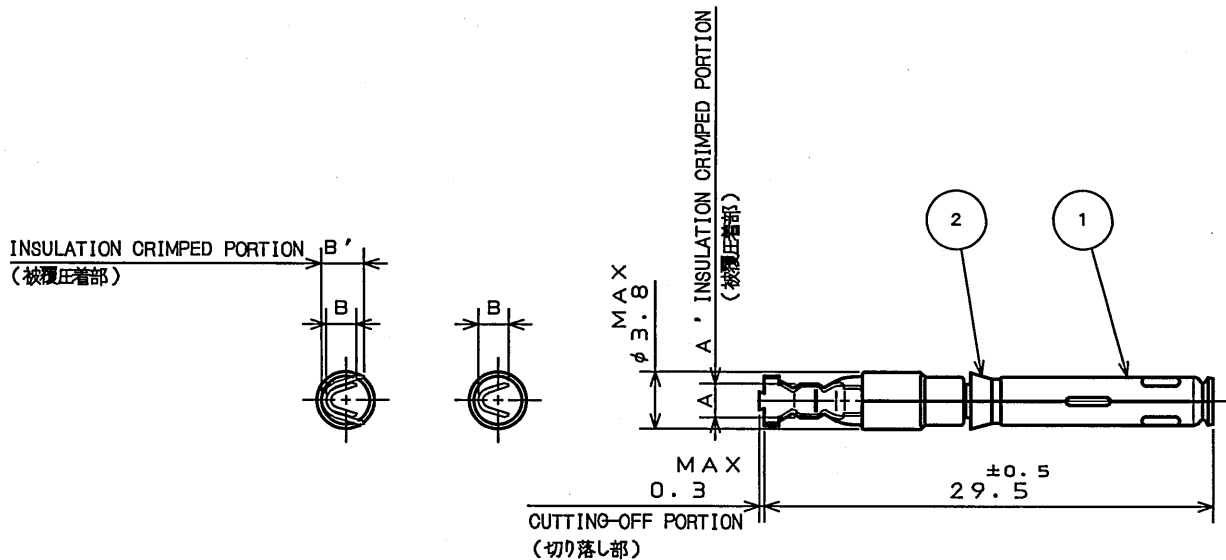
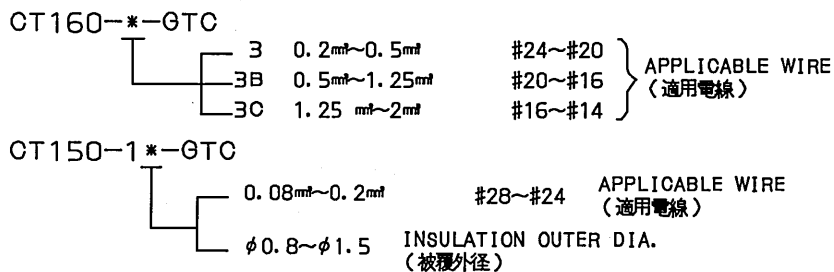


TABLE 1

DRAWING NUMBER 図番	PART NUMBER 品名	(REF.) A	(REF.) B	(REF.)		CLIP COLOR	APPLICABLE WIRE 適用電線	
				A'	B'		mm	AWG NO.
031-50968-010	ST-θTC-16S1	2.2	2.3	—	—	RED	0.2~0.5	#24~#20
031-50969-010	ST-θTC-16S2	2.7	3.1	—	—	BLUE	0.5~1.25	#20~#16
031-50970-010	ST-θTC-16S3	3.2	3.76	—	—	WHITE	1.25~2	#16~#14
031-51744-010	ST-θTC-16S4	2.3	1.6	2.9	2.4	GREEN	0.08~0.2	#28~#24

NOTE 1. APPLICABLE CRIMPING TOOL

注1. 適用圧着工具



2	CLIP	1	SYNTHETIC RESIN	SEE TABLE 1	
1	SOCKET CONTACT	1	COPPER ALLOY	SILVER PLATING	
符号 NO.	名称 DESCRIPTION	個数 QTY.	材料 MATERIAL	仕上 FINISH	備考 REMARKS

仕様書 (SPECIFICATION) T700066		第1版 (ORIGINAL DATE) 18.May.1983		名称 (TITLE) 031-*****-010 (ST-θTC-16S*)		日本航空電子工業株式会社 JAPAN AVIATION ELECTRONICS INDUSTRY, LTD.	
公差 (GENERAL TOLERANCE)		製図 DR. H.TUCHIYA		シリース (SERIES) θTC		JAE Reference Only	
寸法 (DIMENSION)		担当 CHK. M.MAJIME					
角度 (ANGLES)		査閲 APPD. T.HASHIMOTO					
		承認 APPD. H.KAWAMURA					
\pm \times $\times\times$ $\times\times\times$		$\times^\circ \pm$ $\times^\circ\times \pm$		尺度 (SCALE) 2:1		図面番号 (DRAWING NO.) SJ017302	
						版数 (REV.) 4	

DOF-0-211E(03.08)