



Chipsmall Limited consists of a professional team with an average of over 10 year of expertise in the distribution of electronic components. Based in Hongkong, we have already established firm and mutual-benefit business relationships with customers from,Europe,America and south Asia,supplying obsolete and hard-to-find components to meet their specific needs.

With the principle of “Quality Parts,Customers Priority,Honest Operation,and Considerate Service”,our business mainly focus on the distribution of electronic components. Line cards we deal with include Microchip,ALPS,ROHM,Xilinx,Pulse,ON,Everlight and Freescale. Main products comprise IC,Modules,Potentiometer,IC Socket,Relay,Connector.Our parts cover such applications as commercial,industrial, and automotives areas.

We are looking forward to setting up business relationship with you and hope to provide you with the best service and solution. Let us make a better world for our industry!



## Contact us

Tel: +86-755-8981 8866 Fax: +86-755-8427 6832

Email & Skype: info@chipsmall.com Web: www.chipsmall.com

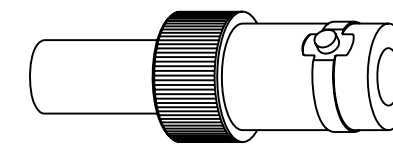
Address: A1208, Overseas Decoration Building, #122 Zhenhua RD., Futian, Shenzhen, China



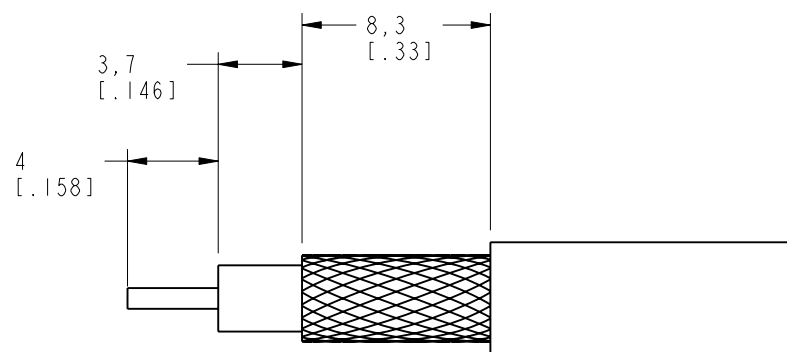
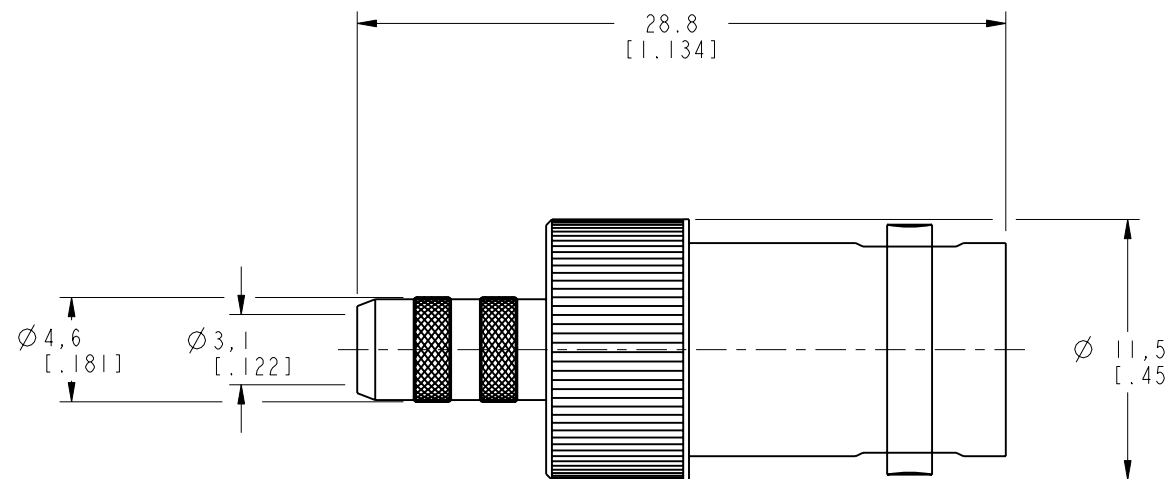
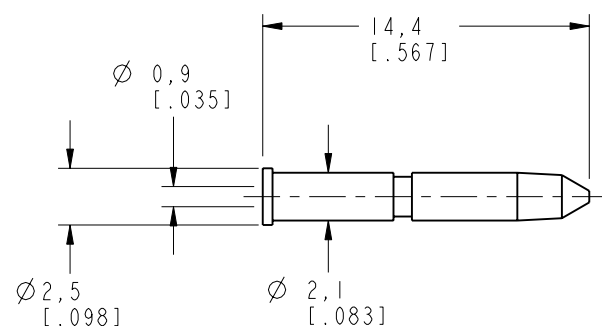
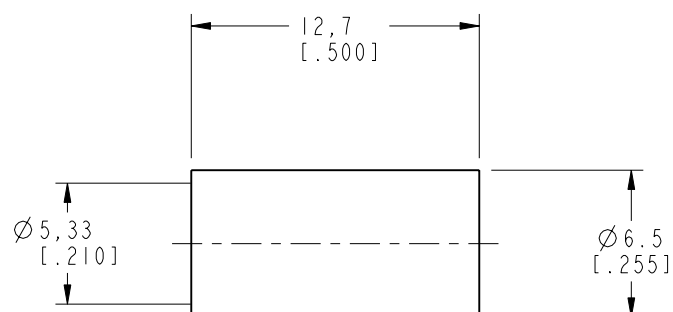
NOTES:

- MATERIALS OF CONSTRUCTION:  
 HOUSING & BODY = BRASS, NICKEL PLATED  
 CONTACT PIN = BRASS, GOLD PLATED  
 FERRULE = COPPER, NICKEL PLATED  
 INSULATOR = TEFLON PER MIL-P-19468
- CRIMPED FERRULE = HEX CRIMP SIZE .213  
 CRIMPED CONTACT PIN = HEX CRIMP SIZE .068

31-6035		REVISIONS			
DRAWING NO.	REV	DESCRIPTION	DATE	ECO	APPR
THIRD ANGLE PROJ.	A	RELEASE TO MFG.	5/15/00	43362	CPM
	B	CORRECTED VIEW OF CONTACT	3/21/01	43715	CPM
	C	CONTACT ID SHOULD BE .035	5/9/01	43758	CPM
	D	RG 58 - ADDITION TO DESCRIPTION	2/11/08	46922	VC



SCALE 1.500



RECOMMENDED CABLE STRIPPING DIMENSIONS  
SCALE 3.000

**CUSTOMER OUTLINE DRAWING**  
ALL OTHER SHEETS ARE FOR INTERNAL USE ONLY

UNLESS OTHERWISE SPECIFIED, DIMENSIONS ARE IN MM (INCHES) AND TOLERANCES ARE:  
 0.5 - 6mm ±0.2mm  
 6 - 30mm ±0.4mm  
 30 - 120mm ±0.6mm

NOTICE - These drawings, specifications, or other data (1) are, and remain the property of Amphenol Corp. (2) must be returned upon request; and (3) are confidential and not to be disclosed to any person other than those to whom they are given by Amphenol Corp. The furnishing of these drawings, specifications, or other data by Amphenol Corp., or to any other person to anyone for any purpose is not to be regarded by implication or otherwise in any manner licensing, granting rights or permitting such holder or any other person to manufacture, use or sell any product, process or design, patented or otherwise, that may in any way be related to or disclosed by said drawings, specifications, or other data.

MATERIAL	DRAWN	DATE	TITLE
	C. McGRATH	05-May-00	BNC REVERSE POLARITY CRIMP JACK
	ENGINEER	DATE	RG 58
	T. AUBIN	05-May-00	RG 58 STANDARD CABLE
REFERENCE	APPROVED	DATE	
EAR 967550-0	T. AUBIN	10-May-00	
GEN# 31-6031_ASSY	CAD FILE	CODE ID	DWG SIZE
	I:\BNC\31-6035	74868	B

DRAWING NO.	DRAWING NO.
31-6035	31-6035

SCALE: 3.0:1	SHEET 2 OF 2
--------------	--------------

Amphenol	
Amphenol Corporation Communication and Network Products Division Danbury, CT U.S.A. 06810	
REV	D