



Chipsmall Limited consists of a professional team with an average of over 10 year of expertise in the distribution of electronic components. Based in Hongkong, we have already established firm and mutual-benefit business relationships with customers from,Europe,America and south Asia,supplying obsolete and hard-to-find components to meet their specific needs.

With the principle of “Quality Parts,Customers Priority,Honest Operation,and Considerate Service”,our business mainly focus on the distribution of electronic components. Line cards we deal with include Microchip,ALPS,ROHM,Xilinx,Pulse,ON,Everlight and Freescale. Main products comprise IC,Modules,Potentiometer,IC Socket,Relay,Connector.Our parts cover such applications as commercial,industrial, and automotives areas.

We are looking forward to setting up business relationship with you and hope to provide you with the best service and solution. Let us make a better world for our industry!



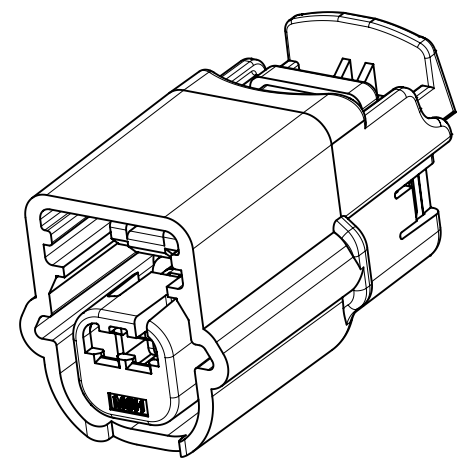
Contact us

Tel: +86-755-8981 8866 Fax: +86-755-8427 6832

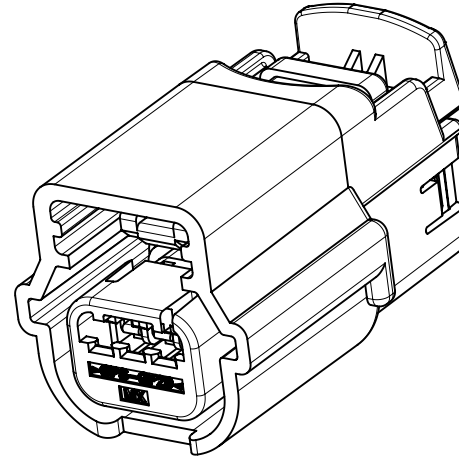
Email & Skype: info@chipsmall.com Web: www.chipsmall.com

Address: A1208, Overseas Decoration Building, #122 Zhenhua RD., Futian, Shenzhen, China

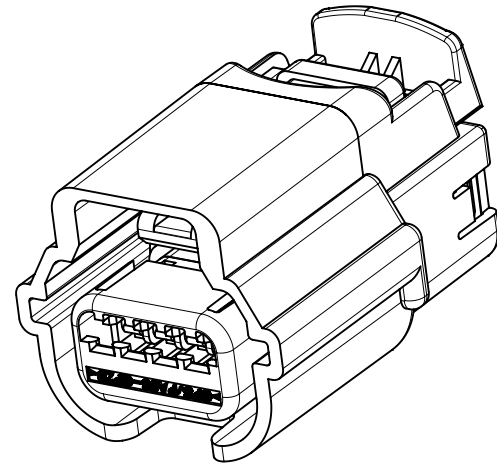




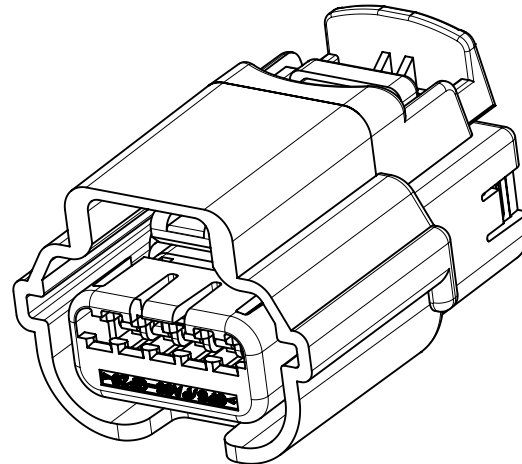
1X2



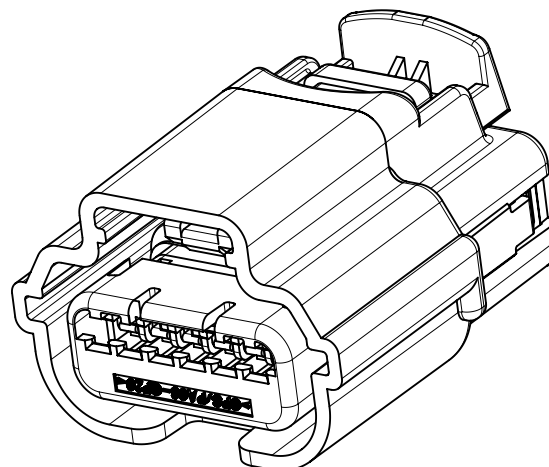
1X3



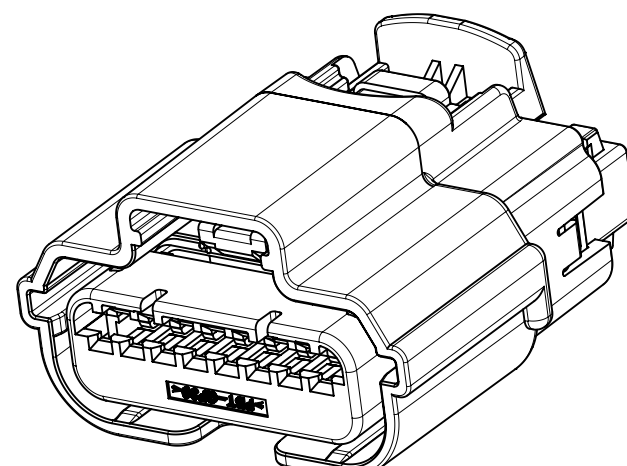
1X4



1X5



1X6



1X8

TABLE OF CONTENTS	
SHEET NO.	SHEET DESCRIPTION
1	NOTES AND BOM
2	CONNECTOR ASSEMBLY WITHOUT CLIPSLOT
3	CONNECTOR ASSEMBLY WITH CLIPSLOT
4-5	KEY CONFIGURATIONS
6-9	BOM

NOTES: VALID UNLESS OTHERWISE SPECIFIED

1. GENERAL:
 - a. APPLICATION SPECIFICATION SEE: AS-31402-000
 - CONTAINS: SEE AS CONTENT
 - DESIGNED TO MATE WITH DEVICE OR CONNECTOR AS SPECIFIED IN THE MATING INTERFACE DRAWINGS CHART.
 - *DENOTES DRAWINGS THAT CAN BE ACCESSED AT <http://ewcap.uscarteams.org/>.
 - ASSEMBLY SHIPPED WITH PLR IN PRE-LOCK POSITION (SEE PLR PRE-LOCK VIEW ON SHEET 2 SECTION A-A).
 - b. PRODUCT RELATED DRAWING REFER TO DRAWING INFORMATION CHART
 - c. TPA'S MAY BECOME SEATED DURING TRANSIT. IF THIS OCCURS, TPA'S SHOULD BE MOVED TO THE PRE-LOCKED POSITION PRIOR TO FEMALE TERMINAL INSTALLATION. REFERENCE PRODUCT SPECIFICATION: PS-34646-001
 - d. PARTS MUST BE IN COMPLIANCE TO MOLEX CHEMICAL SUBSTANCES FOR PRODUCTS AND PACKAGING SPECIFICATION: QEHS-699000-301
 - e. DATA MUST BE SUBMITTED UNDER THE MOLEX PART NUMBER TO IMDS (COMPANY ID#13255)
 - f. SYSTEM EXCEPT SERIES 31404 1X8 CIRCUIT TO BE USED WITH OUTSIDE WIRE DIAMETERS RANGING FROM 1.20MM TO 2.06MM WITHIN RANGE OF:
 - SAE 22 AWG TO 18 AWG PER ESB-M1L123-A2
 - ISO 0.35MM TO 0.75MM PER GMW15626 AND ES-AU5T-1A348-AA
 - g. POLARIZATION FEATURE EFFECTIVENESS PER USCAR-2 PARAGRAPH 5.4.4 IS REDUCED WHEN TESTING ALL POLARIZATION OPTIONS: 100N MIN.
 - h. SEE SHEET #3 FOR CONNECTOR ASSEMBLY WITH CLIPSLOP
 - i. FOR CLIPSSLOT CONNECTOR: CLIP OVERHANGS CONNECTOR, PLEASE CHECK APPLICATION (COULD CAUSE WIRE CHAFING)-SHORTER CLIP IS A RECOMMENDATION.
2. DESIGN - GEOMETRY:
 - a. THE 3-D CAD DATA IS BASIC (WITHOUT TOLERANCE) AND MASTER FOR THIS PART WITH THE EXCEPTION OF UNDERLINED DIMENSIONS. DIMENSIONAL INFORMATION NOT SHOWN ON THIS DRAWING IS DEFINED BY THE DATA FILE AT ITS LATEST REVISION.
 - b. GEOMETRIC DIMENSIONS AND TOLERANCES PER ASME Y14.5M-2009
 - c. EDGES AND UNDIMENSIONED DETAILS PER ISO13715
 - d. CORNERS SHOWN AS SHARP TO BE R 0.2 MAX.
 - e. LETTERING SHALL BE 0.15 MAX RAISED IN 0.25 MAX RECESS PAD. THIS INCLUDES RECYCLING CODE, CAVITY ID, VENDOR IDENTIFICATION, AND CUSTOMER MATERIAL NUMBER.
 - f. VISUAL DEFECTS SHALL MEET COSMETIC STANDARD PS-45499-002 (Class B).
 - g. DATE CODE: FIRST TWO DIGITS ARE THE CALENDAR YEAR (EXAMPLE: 04 = 2004). THIRD THROUGH 5TH DIGIT DAY # OF THE CALENDAR YEAR (EXAMPLE: FEB. 3RD = '034').

DRAWING INFORMATION	
DESCRIPTION	DRAWING NO.
PRODUCT SPECIFICATION	PS-31402-000
	FOR 31404 1X8 REFER TO PS-31404-001-1X8
PACKAGING	PK-31300-256
SALES DRAWING	SD-31402-211
	FOR 31404 1X8 REFER TO SD-31404-811
TEST SUMMARY	FOR 1X2 REFER TO TS-31402-001-1X2
	FOR 1X3 REFER TO TS-31402-001-1X3
	FOR 1X6 REFER TO TS-31402-001-1X6
	FOR 31404 1X8 REFER TO TS-31404-001-1X8

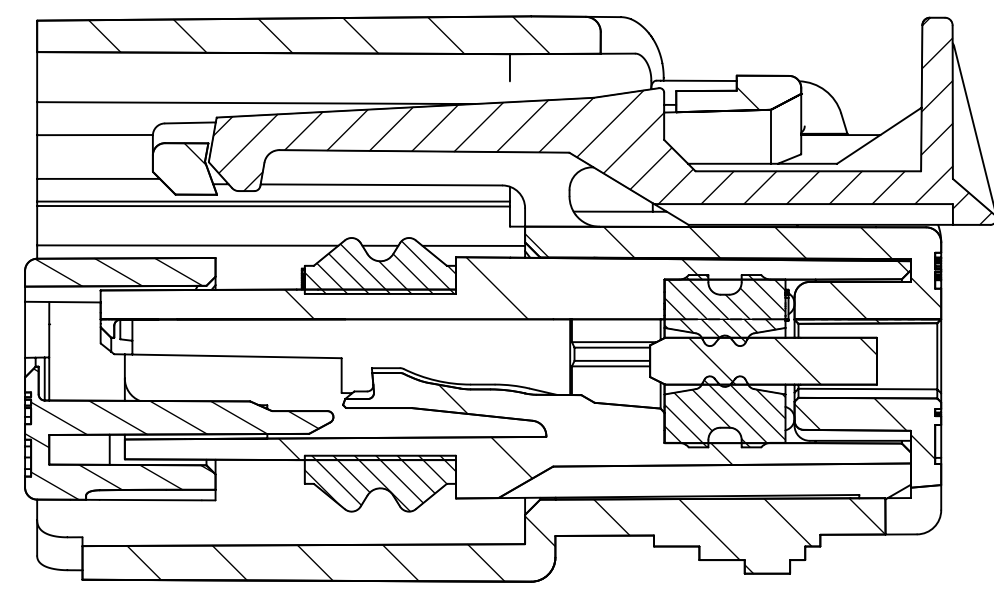
MATING INTERFACE DRAWING	
DESCRIPTION	INTERFACE DEFINITION
1X2	*064-S-002-1-Z02
1X3	*064-S-003-1-Z01
1X4	*064-S-004-1-Z02
1X5	*064-S-005-1-Z02
1X6	*064-S-006-1-Z02
1X8	*064-S-008-1-Z02

PART NUMBER LEGEND
CONNECTOR ASSEMBLY

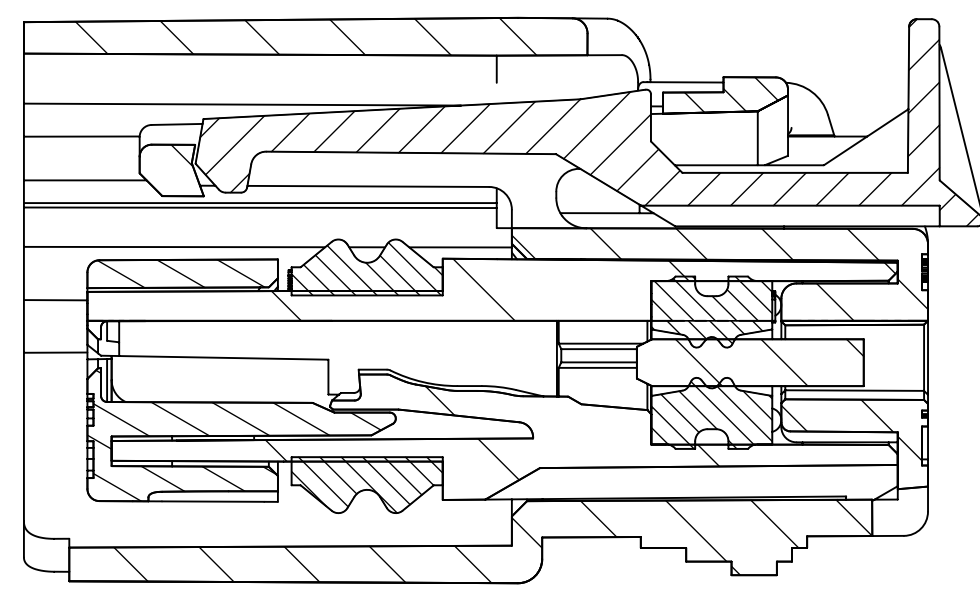
- 3140X-XXXX
- SEAL PLUG CONFIGURATION (AS MOLDED)
 - 0 - ALL CIRCUITS OPEN
 - 1-9 SEE CHART
 - CPA OPTION
 - 0 OR 2 - WITHOUT CPA
 - 1 OR 3 - WITH CPA
 - 4 - WITHOUT CPA, WITH CLIPSLOT
 - 5 - WITH CPA, WITH CLIPSLOT
 - USCAR POLARIZATION OPTION
 - 1 - POLARIZATION OPTION A
 - 2 - POLARIZATION OPTION B
 - 3 - POLARIZATION OPTION C
 - 4 - POLARIZATION OPTION D
 - 5 - POLARIZATION OPTION B, BLACK
 - 6 - POLARIZATION OPTION C, BLACK
 - 7 - POLARIZATION OPTION D, BLACK
 - 8 - POLARIZATION OPTION C, NATURAL
 - 9 - POLARIZATION OPTION D, GRAY
 - CIRCUIT SIZE 2, 3, 4, 5, 6 & 8
 - 6 - CIRCUIT SIZE 6, WITH 31412-6500 OR 31412-6501 RING SEAL (FOR 31402 AND 31403 SERIES) WITH 31412-6500 RING SEAL (FOR 31404 SERIES)
 - 7 - CIRCUIT SIZE 6, WITH 31412-6501 RING SEAL (FOR 31404 SERIES)
 - TERMINAL OPTION
 - 2 - TYCO/MOLEX GET 0.64
 - 3 - MOLEX 0.64
 - 4 - YAZAKI KAIZEN 0.64/TE GEN Y 0.64/JST AIT 0.64

T4	ADD P/N:31402-2120,31402-2130,31402-3104,31402-3114,31402-6201,31402-6211,31402-6301,31402-6311,31402-6401,31402-6411,31402-6501,31402-6511,31402-6601,31402-6611,31402-6701,31402-6711,31403-6201,31403-6211,31403-6301,31403-6311,31403-6401,31403-6411,31403-9501,31403-6511,31403-6601,31403-6611,31403-6701,31403-6711,31404-6201,31404-6211
T2	UPDATE BOM INFORMATION ON SHEET 9
T1	DELETE 31402/31403-7*** P/N
T	ADD P/N 3140*-7XXXX FOR 1X6 WITH 31412-6501 RING SEAL VERSION ON SHEET 9
S	ADD P/N: 31402-6131; 31402-6121
R	ADD P/N: 31404-3112; 31404-3102
P	ADD P/N: 31403-3132; 31403-3122
M	ADD P/N: 31402-6118; 31402-6108
L	1. REDRAW SALES DRAWING 2. UPDATE TERMINAL INFORMATION FOR 31404 SERIES 3. ADD P/N: 31403-6212; 31403-6202
REV	REV DESCRIPTION

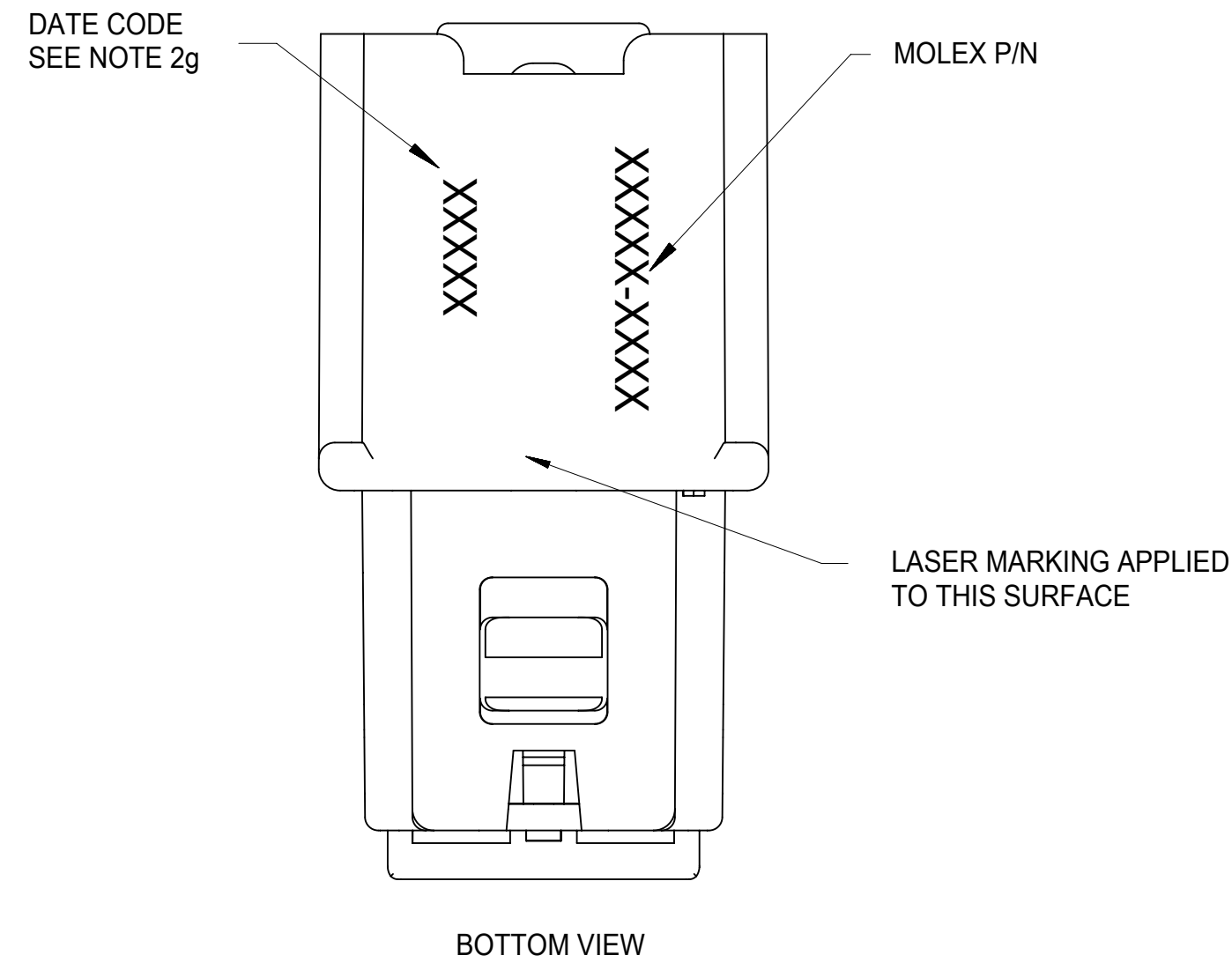
SYMBOLS	THIS DRAWING CONTAINS INFORMATION THAT IS PROPRIETARY TO MOLEX ELECTRONIC TECHNOLOGIES, LLC AND SHOULD NOT BE USED WITHOUT WRITTEN PERMISSION		CURRENT REV DESC:		molex
	DIMENSION UNITS	SCALE			
= 0	mm	1:1			0.64 USCAR CONNECTOR SEALED SINGLE ROW ASSEMBLY
= 0	GENERAL TOLERANCES (UNLESS SPECIFIED)				
= 0	ANGULAR TOL	± 3.0°	EC NO: 175674		PRODUCT CUSTOMER DRAWING
= 0	4 PLACES	±	DRWN: PZHANG71 2018/05/04		
= 0	3 PLACES	±	CHK'D: GLI04 2018/05/07		
= 0	2 PLACES	± 0.13	APPR: JDENG02 2018/05/07		
= 0	1 PLACE	± 0.3	INITIAL REVISION:		
= 0	0 PLACES	±	DRWN: RCARLSON 2004/03/01		
= 0	DRAFT WHERE APPLICABLE MUST REMAIN WITHIN DIMENSIONS		APPR: PBERG 2004/09/30		
= 0	THIRD ANGLE PROJECTION		DRAWING	SERIES	DOCUMENT NUMBER
			D-SIZE	31402	SD-31402-211
			GENERAL MARKET		DOC TYPE
					PSD
					001
					T4
					REVISION
					1 OF 9



SECTION A-A
TPA SHOWN IN AS-SHIPPED
PRE-LOCKED POSITION
SEE NOTE 1c

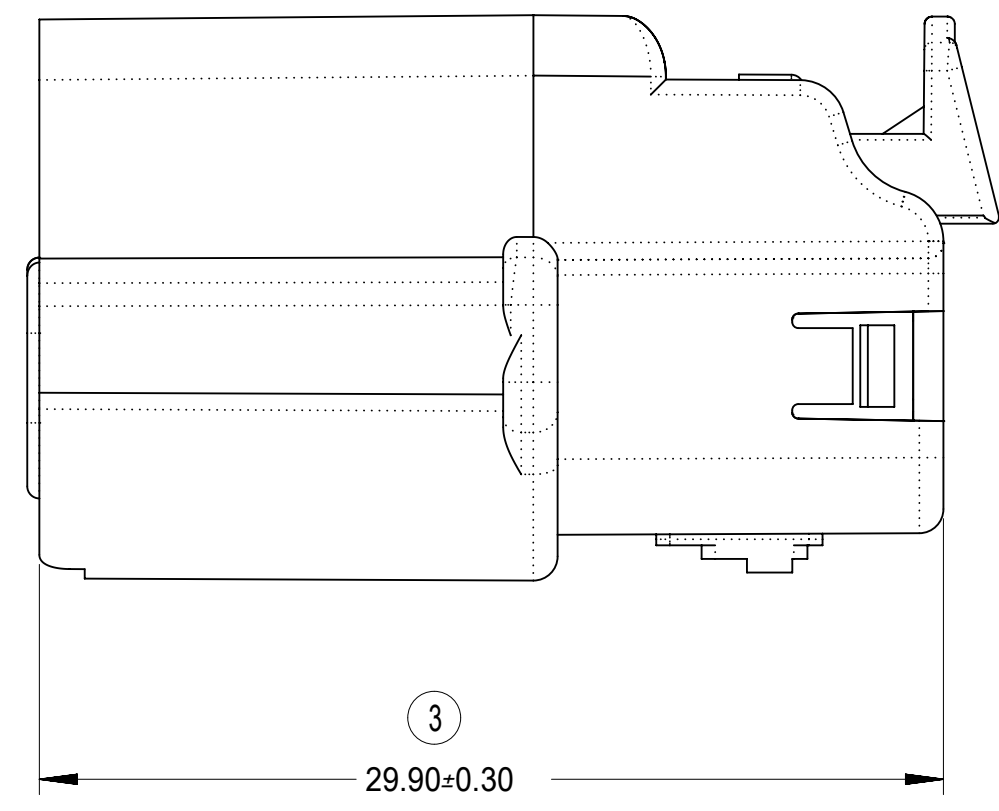
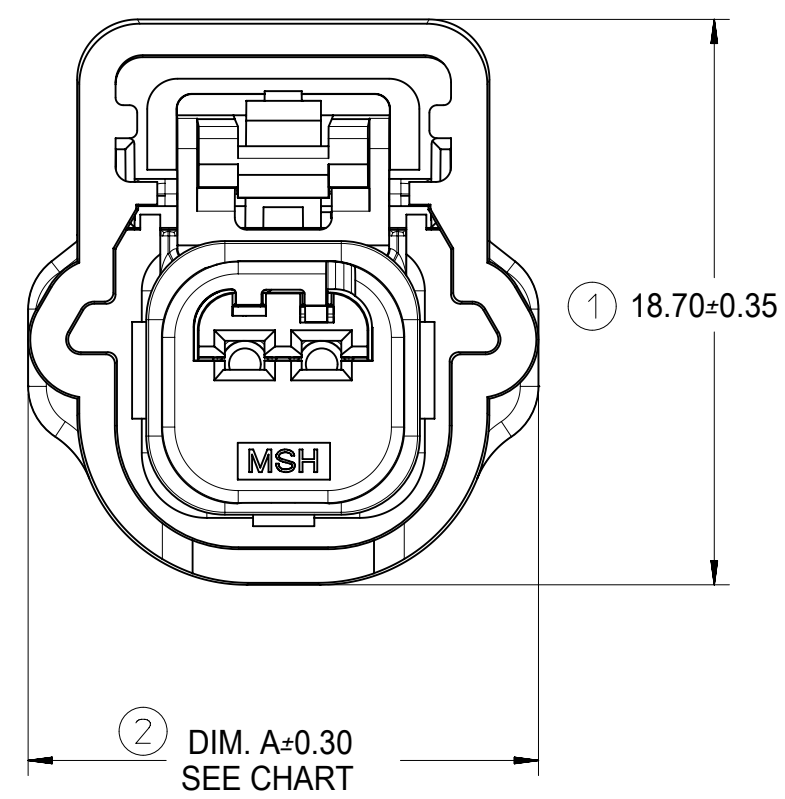
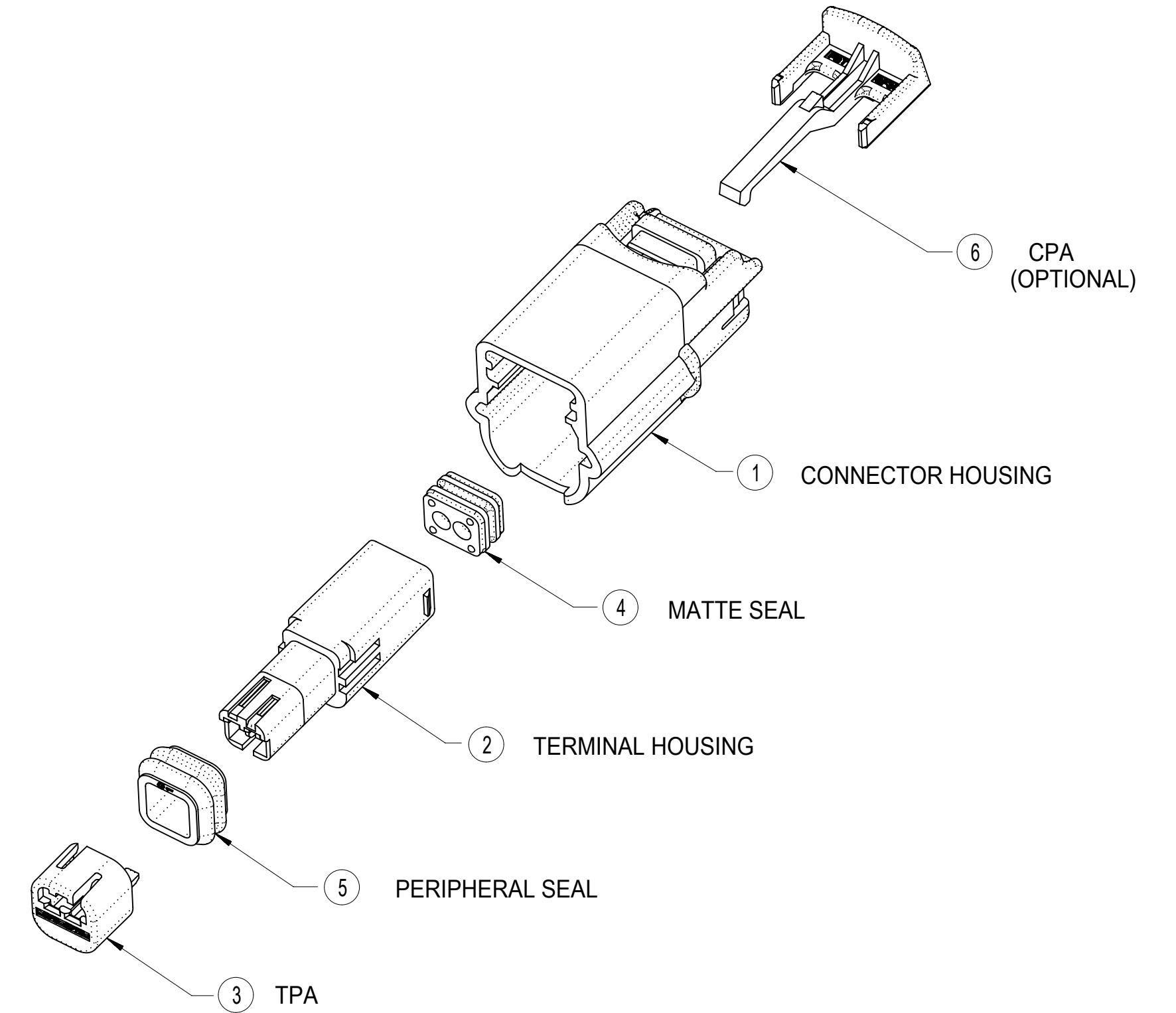


SECTION A-A
TPA SHOWN IN FINAL
LOCKED POSITION

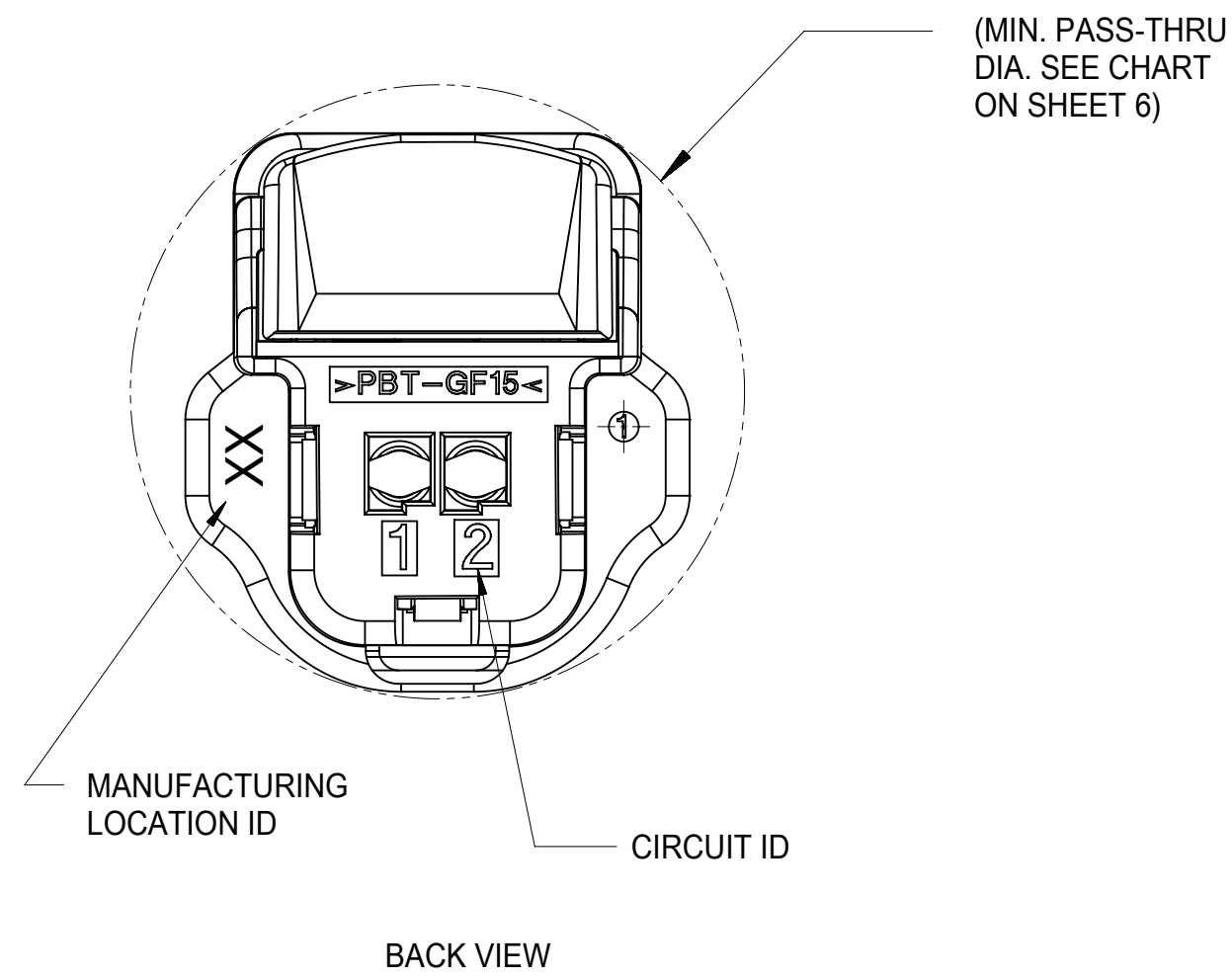


BOTTOM VIEW

CONNECTOR ASSEMBLY WITHOUT CLIPSLOT



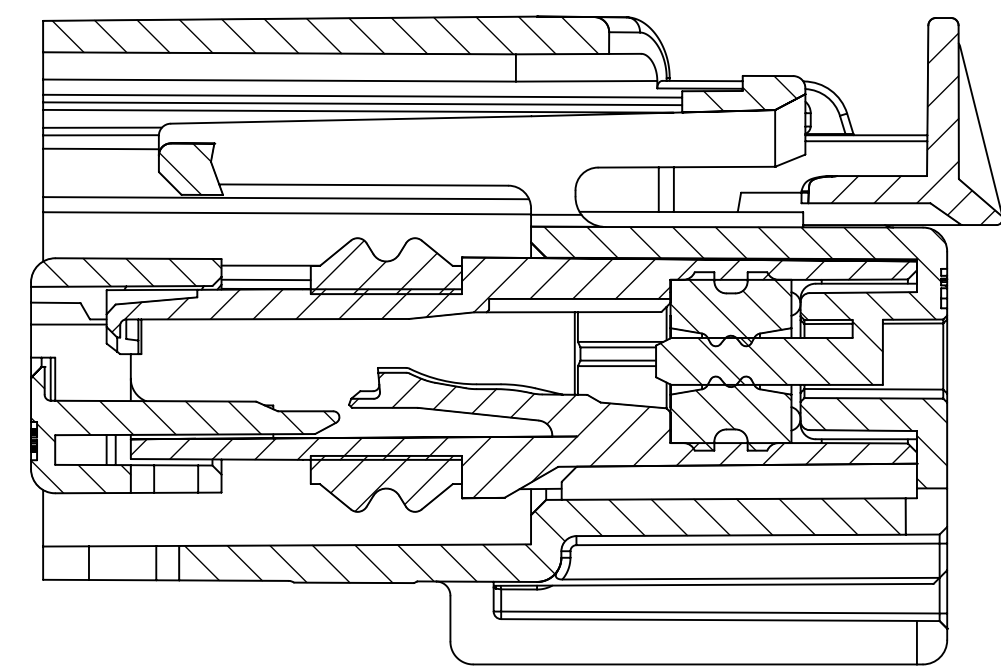
RIGHT SIDE VIEW



BACK VIEW

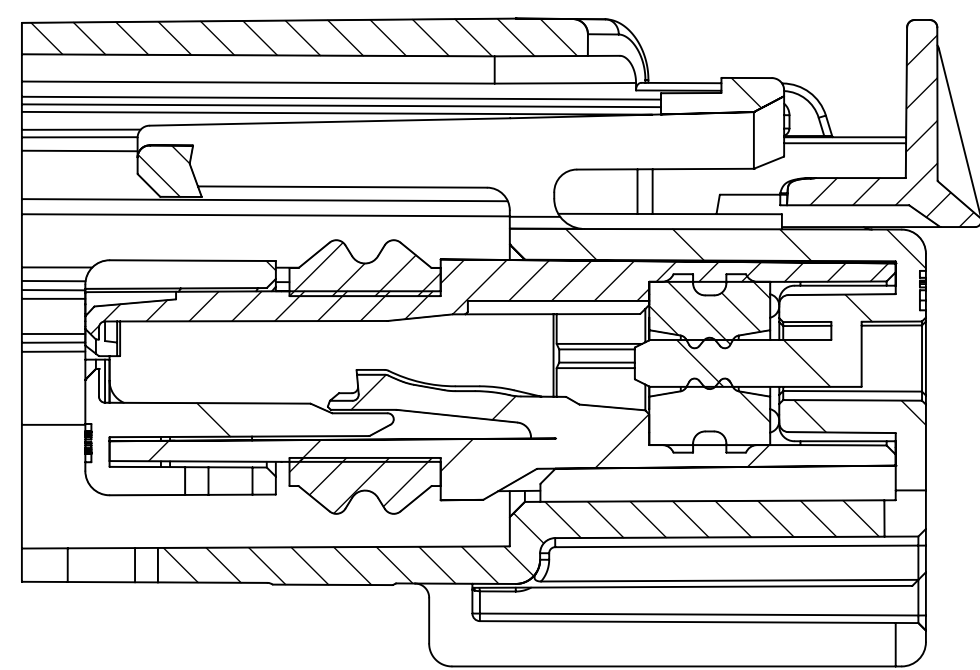
ITEM	DESCRIPTION	COLOR	MATERIAL
1	CONNECTOR HOUSING	SEE CHART	PBT GF15
2	TERMINAL HOUSING	BLACK	SPS/PA66 GF30
3	TPA	NATURAL	SPS/PA66 GF20
4	MATTE SEAL	SEE CHART	SILICONE RUBBER
5	PERIPHERAL SEAL	SEE CHART	SILICONE RUBBER
6	CPA - OPTIONAL	RED	PBT GF30

SYMBOLS		THIS DRAWING CONTAINS INFORMATION THAT IS PROPRIETARY TO MOLEX ELECTRONIC TECHNOLOGIES, LLC AND SHOULD NOT BE USED WITHOUT WRITTEN PERMISSION		CURRENT REV DESC:		molex	
▽ = 0	DIMENSION UNITS	mm	SCALE	1:1	EC NO: 175674		0.64 USCAR CONNECTOR SEALED SINGLE ROW ASSEMBLY
▽ = 0	GENERAL TOLERANCES (UNLESS SPECIFIED)			DRWN: PZHANG71 2018/05/04		PRODUCT CUSTOMER DRAWING	
▽ = 0	ANGULAR TOL	±	3.0°	CHK'D: GLI04 2018/05/07			DOCUMENT NUMBER
▽ = 0	4 PLACES	±		APPR: JDENG02 2018/05/07		SD-31402-211	
▽ = 0	3 PLACES	±		INITIAL REVISION:			DOC TYPE
▽ = 0	2 PLACES	±	0.13	DRWN: RCARLSON 2004/03/01		DOC PART	
▽ = 0	1 PLACE	±	0.3	APPR: PBERG 2004/09/30		REVISION	
▽ = 0	0 PLACES	±		DRAFT WHERE APPLICABLE MUST REMAIN WITHIN DIMENSIONS		T4	
▽ = 0	THIRD ANGLE PROJECTION	DRAWING		D-SIZE	SERIES	MATERIAL NUMBER	
					31402	CUSTOMER	
						GENERAL MARKET	
						SHEET NUMBER	
						2 OF 9	



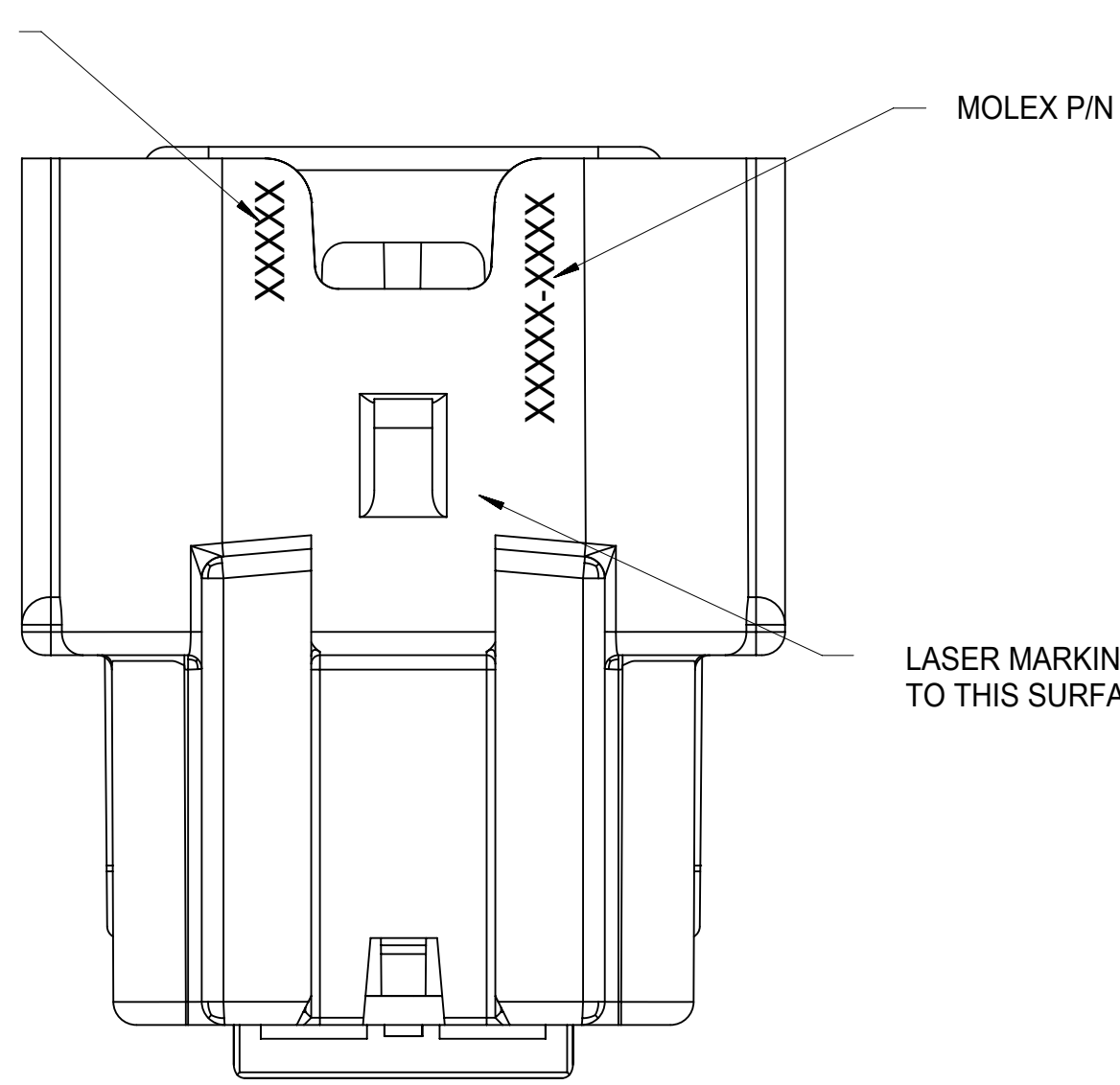
SECTION C-C

TPA SHOWN IN AS-SHIPPED
PRE-LOCKED POSITION
SEE NOTE 1c

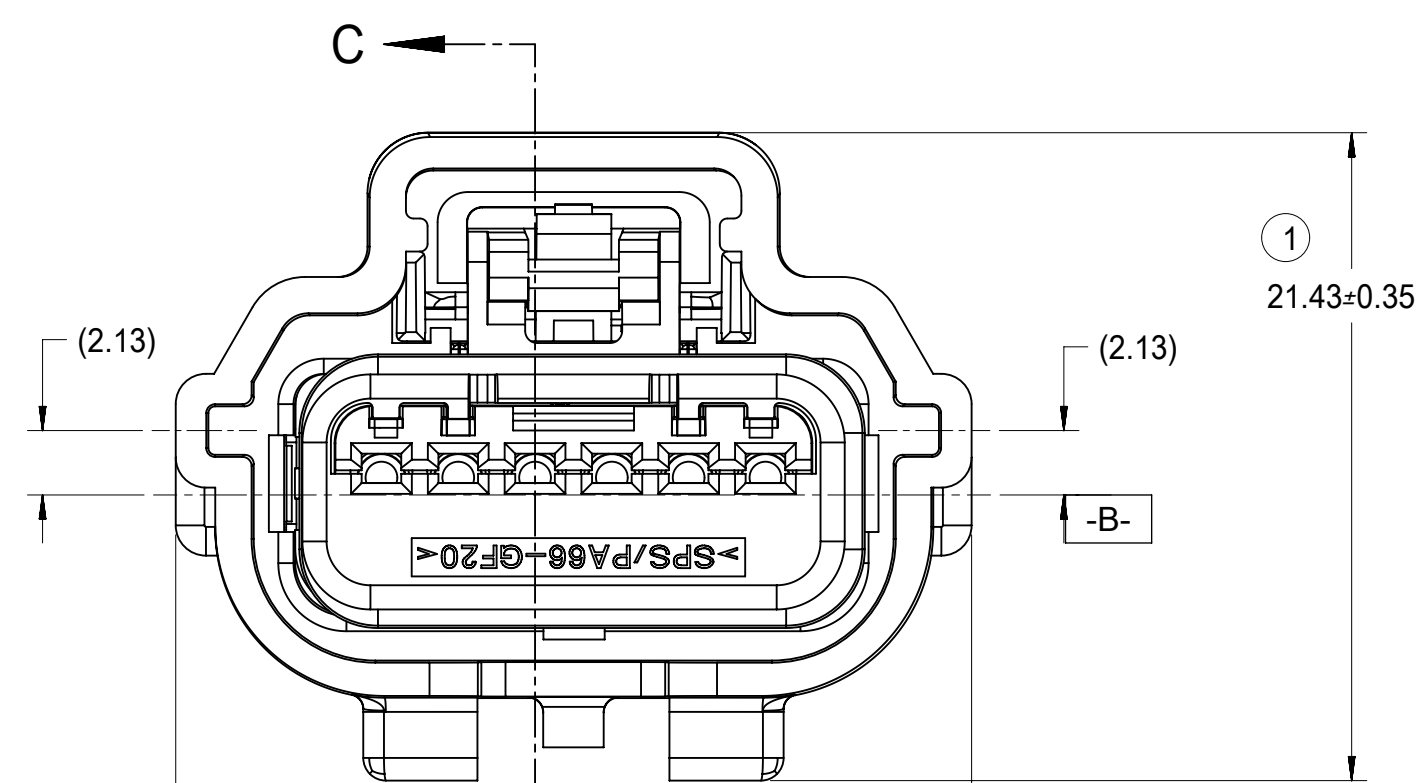
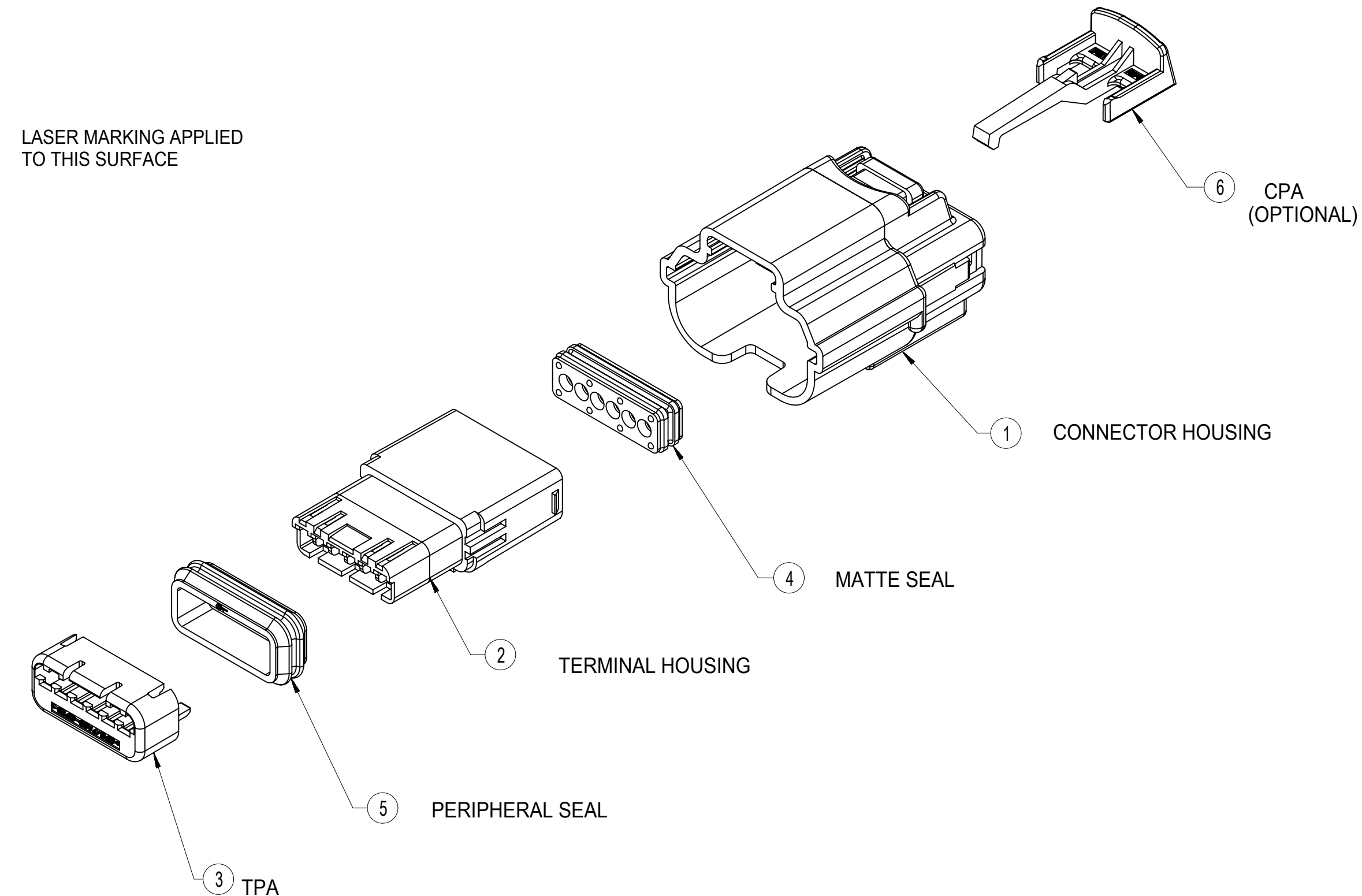


SECTION C-C

TPA SHOWN IN FINAL
LOCKED POSITION

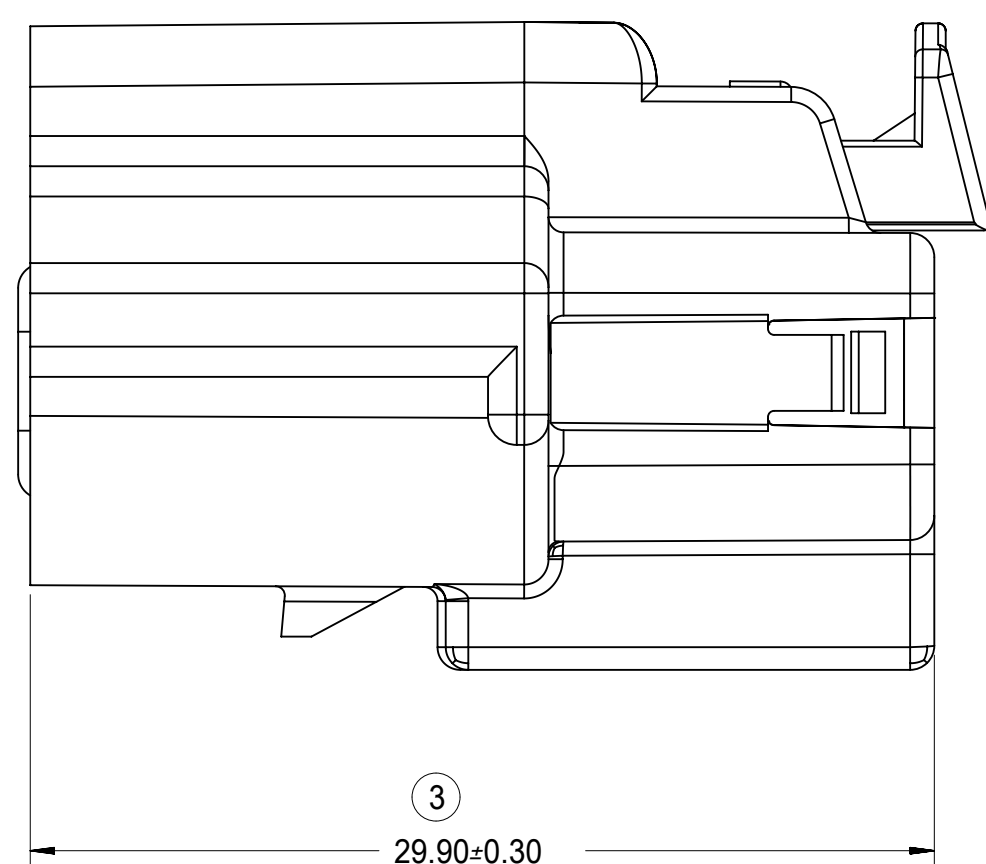


BOTTOM VIEW

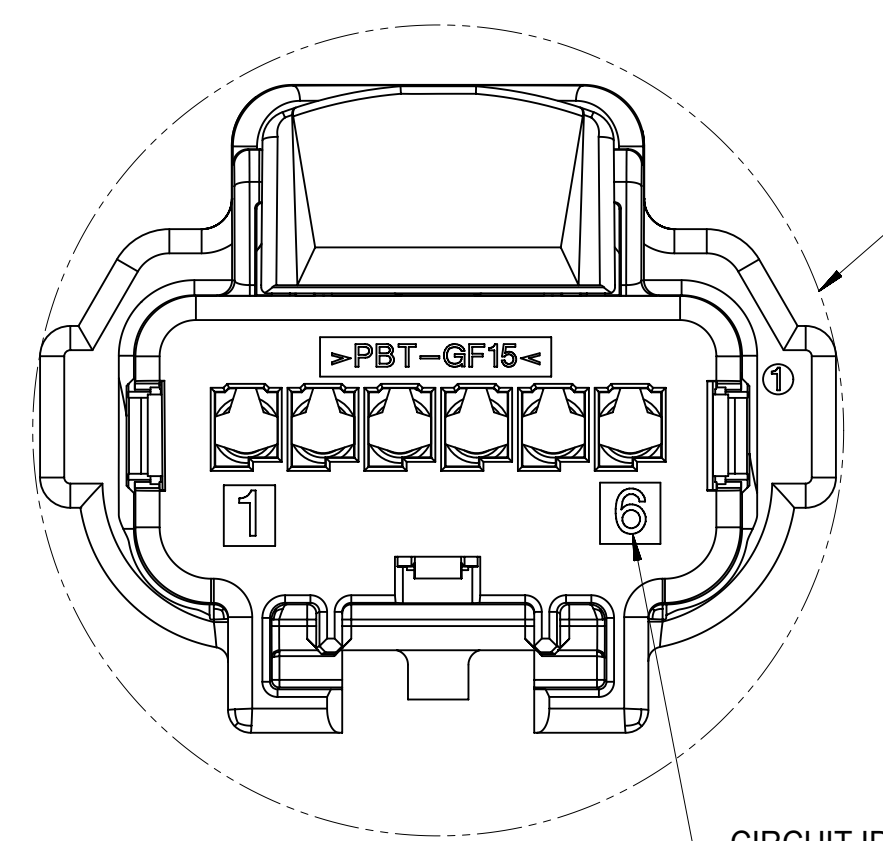


FRONT VIEW

POLARIZATION A



RIGHT SIDE VIEW

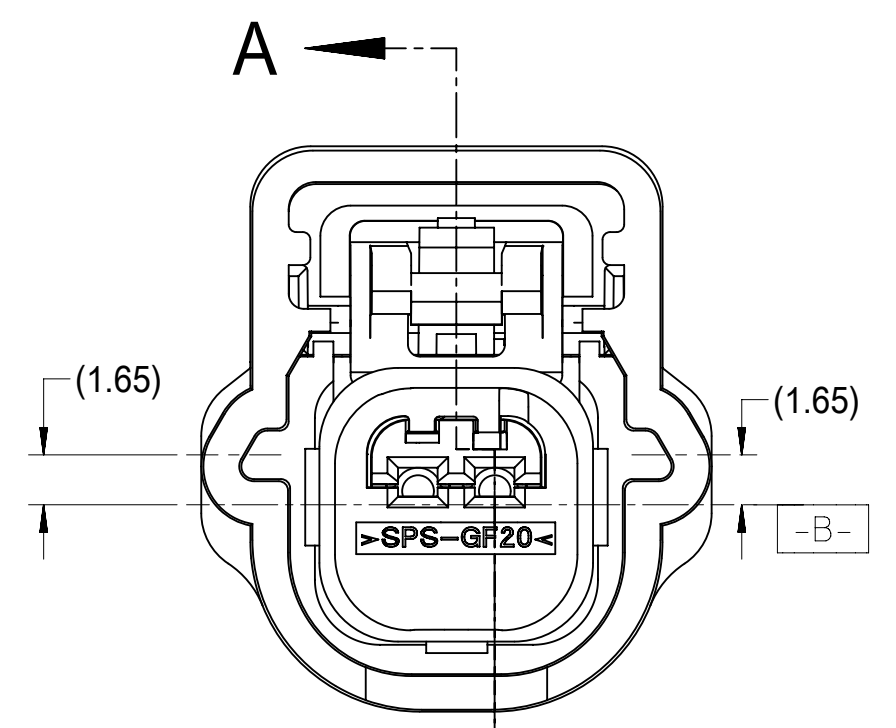


BACK VIEW

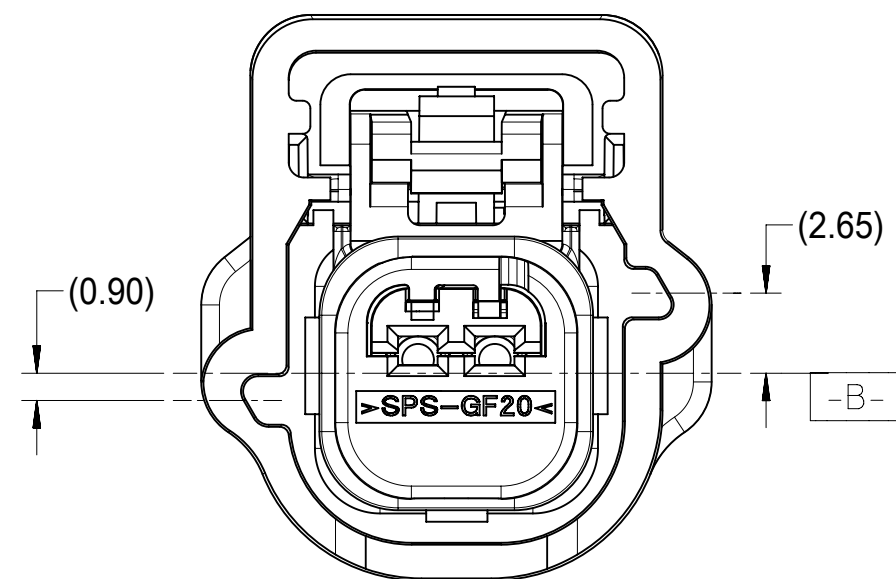
ITEM	DESCRIPTION	COLOR	MATERIAL
1	CONNECTOR HOUSING	SEE CHART	PBT GF15
2	TERMINAL HOUSING	BLACK	SPS/PA66 GF30
3	TPA	NATURAL	SPS/PA66 GF20
4	MATTE SEAL	SEE CHART	SILICONE RUBBER
5	PERIPHERAL SEAL	SEE CHART	SILICONE RUBBER
6	CPA - OPTIONAL	RED	PBT GF30

SYMBOLS		THIS DRAWING CONTAINS INFORMATION THAT IS PROPRIETARY TO MOLEX ELECTRONIC TECHNOLOGIES, LLC AND SHOULD NOT BE USED WITHOUT WRITTEN PERMISSION		CURRENT REV DESC:		molex	
	= 0	DIMENSION UNITS	SCALE				
	= 0	mm	1:1				
	= 0	GENERAL TOLERANCES (UNLESS SPECIFIED)		EC NO: 175674		0.64 USCAR CONNECTOR SEALED SINGLE ROW ASSEMBLY	
	= 0	ANGULAR TOL ± 3.0°		DRWN: PZHANG71 2018/05/04		PRODUCT CUSTOMER DRAWING	
	= 0	4 PLACES ±		CHK'D: GLI04 2018/05/07		DOCUMENT NUMBER	
	= 0	3 PLACES ±		APPR: JDENG02 2018/05/07		DOC TYPE	
	= 0	2 PLACES ± 0.13		INITIAL REVISION:		DOC PART	
	= 0	1 PLACE ± 0.3		DRWN: RCARLSON 2004/03/01		REVISION	
	= 0	0 PLACES ±		APPR: PBERG 2004/09/30		SD-31402-211	
	= 0	DRAFT WHERE APPLICABLE MUST REMAIN WITHIN DIMENSIONS		THIRD ANGLE PROJECTION		PSD 001 T4	
	= 0			DRAWING		MATERIAL NUMBER	
	= 0			D-SIZE		CUSTOMER	
	= 0			SERIES		SHEET NUMBER	
	= 0			31402		GENERAL MARKET	
	= 0					3 OF 9	

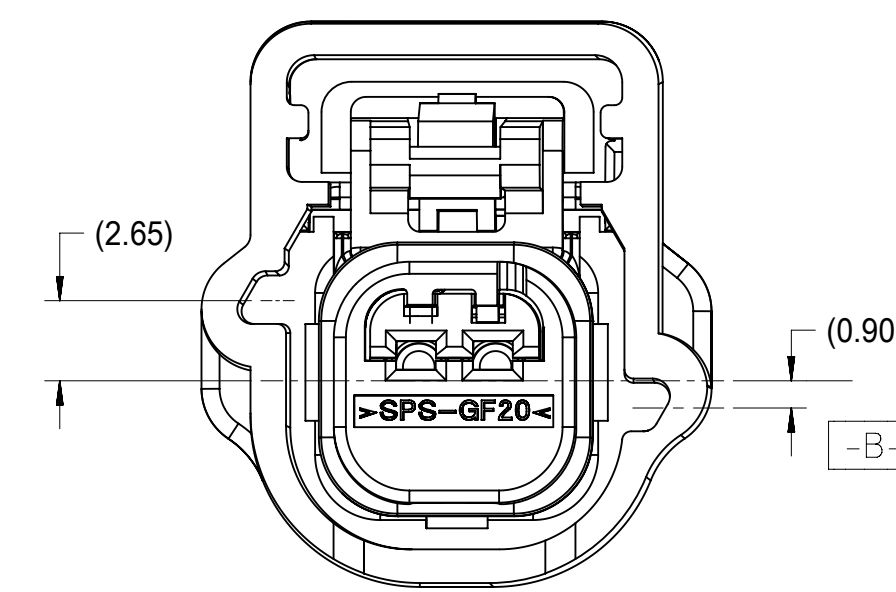
1X2



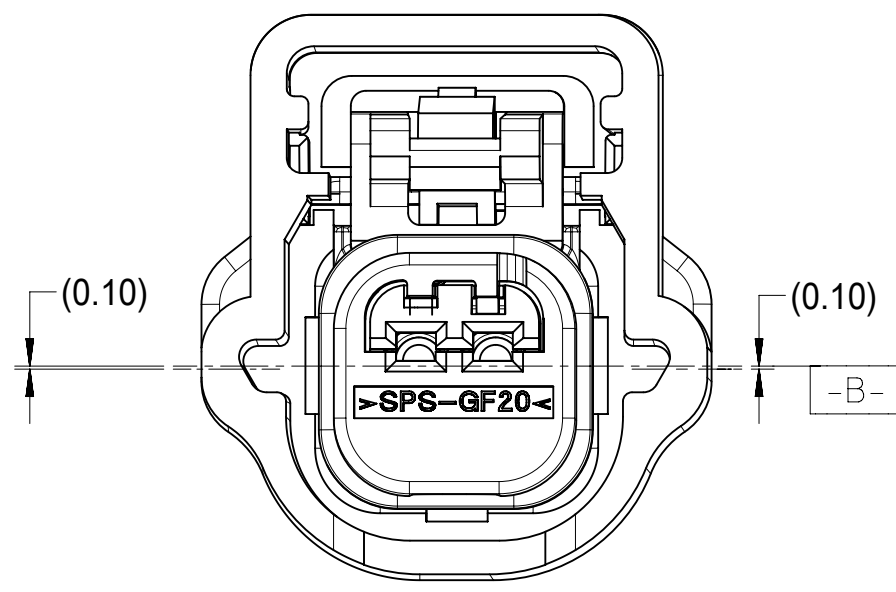
FRONT VIEW
POLARIZATION A



POLARIZATION B

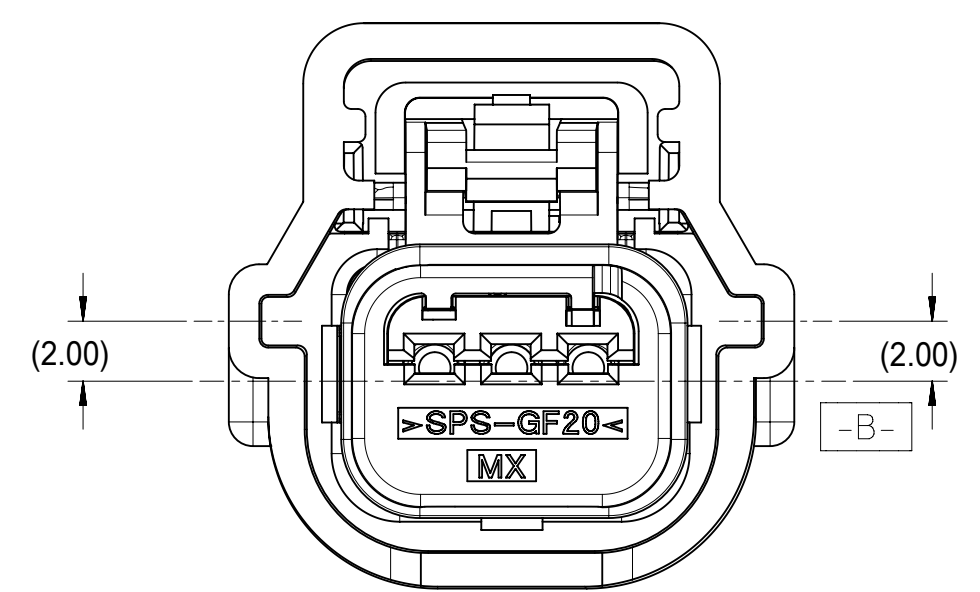


POLARIZATION C

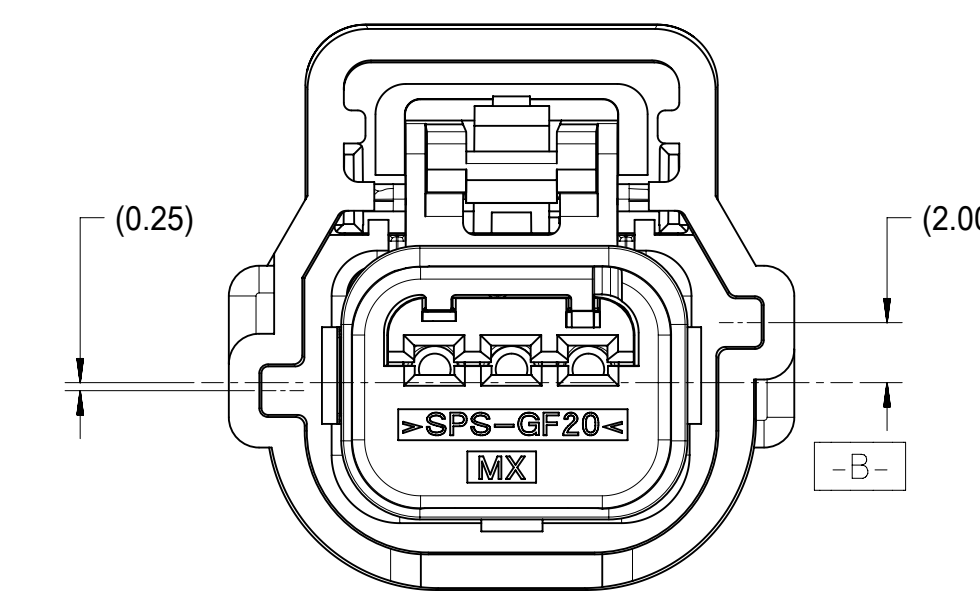


POLARIZATION D

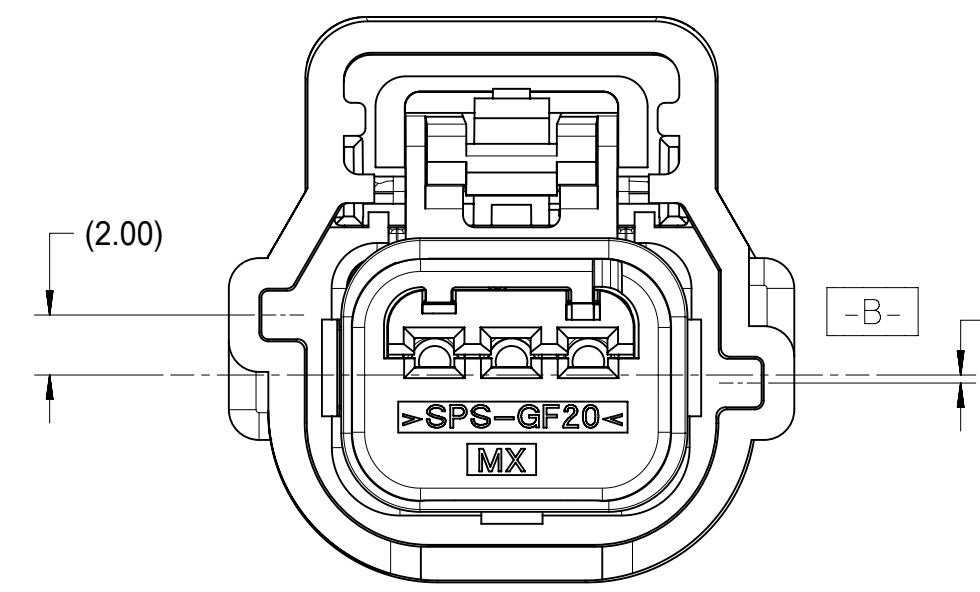
1X3



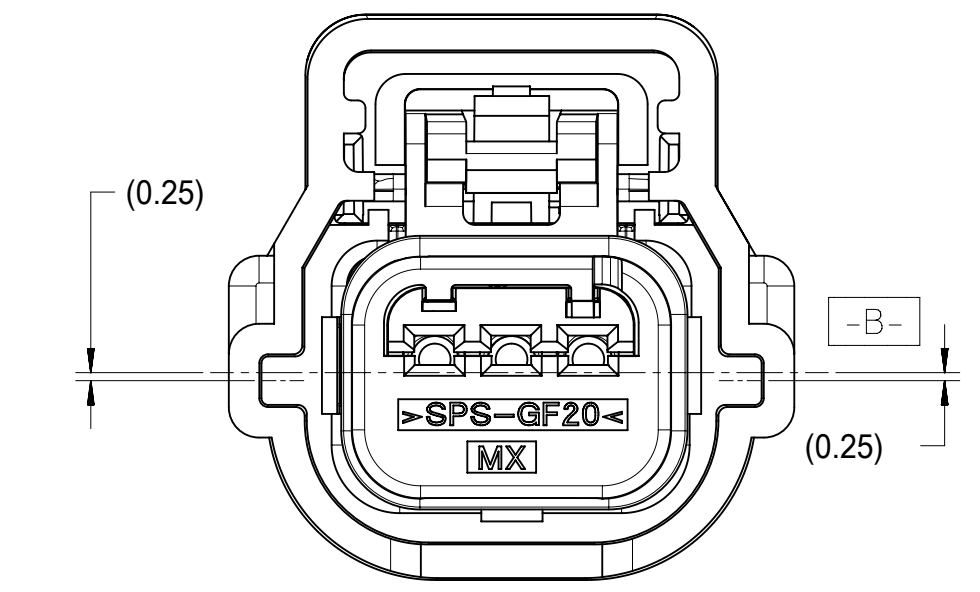
POLARIZATION A



POLARIZATION B

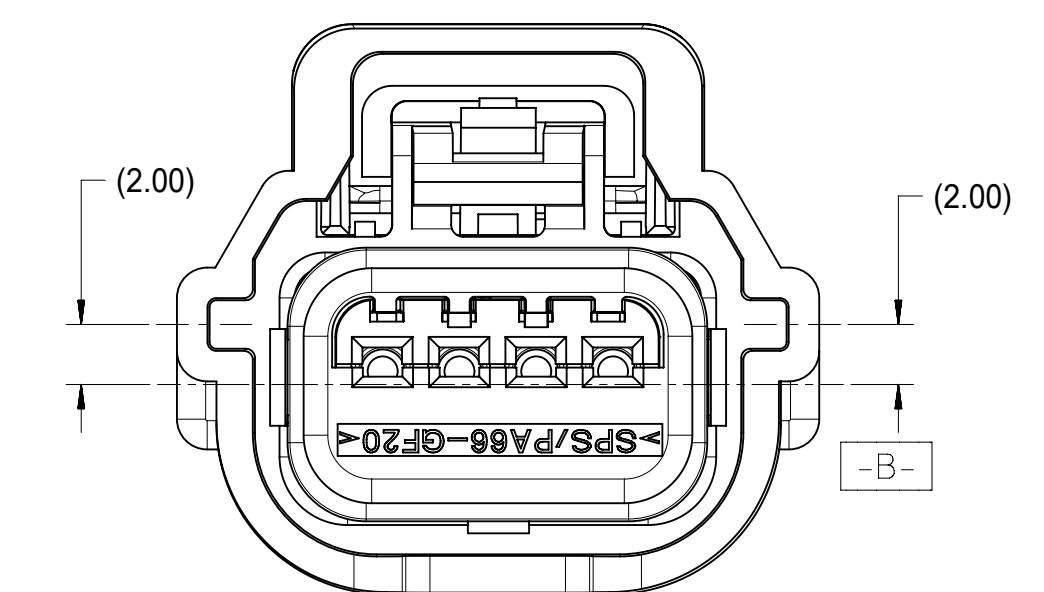


POLARIZATION C



POLARIZATION D

1X4



POLARIZATION A

KEY CONFIGURATIONS

SYMBOLS	THIS DRAWING CONTAINS INFORMATION THAT IS PROPRIETARY TO MOLEX ELECTRONIC TECHNOLOGIES, LLC AND SHOULD NOT BE USED WITHOUT WRITTEN PERMISSION		CURRENT REV DESC:		
	DIMENSION UNITS: mm SCALE: 1:1				
GENERAL TOLERANCES (UNLESS SPECIFIED) ANGULAR TOL ± 3.0°	EC NO: 175674 DRWN: PZHANG71 2018/05/04 CHK'D: GLI04 2018/05/07 APPR: JDENG02 2018/05/07		PRODUCT CUSTOMER DRAWING		DOCUMENT NUMBER: SD-31402-211 DOC TYPE: PSD DOC PART: 001 REVISION: T4
4 PLACES ± 3 PLACES ± 2 PLACES ± 0.13 1 PLACE ± 0.3 0 PLACES ±	INITIAL REVISION: DRWN: RCARLSON 2004/03/01 APPR: PBERG 2004/09/30		MATERIAL NUMBER: D-SIZE 31402 CUSTOMER: GENERAL MARKET		
DRAFT WHERE APPLICABLE MUST REMAIN WITHIN DIMENSIONS	THIRD ANGLE PROJECTION	DRAWING: D-SIZE	SERIES: 31402		

PART NUMBER WITHOUT CPA	PART NUMBER WITH CPA	CLIPSLLOT OPTION	ROW/ CIRCUITS	KEY*	MATTE SEAL COLOR	PERIMETER SEAL COLOR	CONNECTOR COLOR	WIDTH DIM (A)	MIN. PASS THRU DIA.	FEMALE TERMINAL SUPPLIER	USCAR FOOTPRINT DRAWING NO.	STATUS								
31402-2100	31402-2110	NO	1 X 2	A	ROYAL BLUE	BLUE		16.88	(20.80)	TYCO OR MOLEX GET 0.64	064-S-002-1-Z02	TOOLED								
31402-2120	31402-2130			A								TOOLED , BUT NOT VALIDATED (T4)								
31402-2200	31402-2210			B								TOOLED								
31402-2300	31402-2310			C								TOOLED, COLOR UNAVAILABLE								
31402-2400	31402-2410			D								TOOLED, COLOR UNAVAILABLE								
31402-2500	31402-2510			B								TOOLED								
31402-2600	31402-2610			C								TOOLED								
31402-2700	31402-2710			D								TOOLED								
31403-2000	31403-2010			D								TOOLED (L)								
31403-2100	31403-2110			A								TOOLED								
31403-2200	31403-2210			B								TOOLED								
31403-2300	31403-2310			C								TOOLED, COLOR UNAVAILABLE								
31403-2400	31403-2410			D								TOOLED, COLOR UNAVAILABLE								
31403-2500	31403-2510			B								TOOLED (L)								
31403-2600	31403-2610			C								TOOLED								
31403-2700	31403-2710			D								TOOLED								
31403-2800	31403-2810			C						TOOLED (L)										
31403-2900	31403-2910			D						TOOLED										
31404-2100	31404-2110			A						NOT TOOLED										
31404-2200	31404-2210			B						NOT TOOLED										
31404-2300	31404-2310			C						NOT TOOLED										
31404-2400	31404-2410			D						NOT TOOLED										
31404-2500	31404-2510			B						NOT TOOLED										
31404-2600	31404-2610			C						NOT TOOLED										
31404-2700	31404-2710			D						NOT TOOLED										
31402-3100	31402-3110			NO						1 X 3		A	LIGHT BLUE	RUST RED		18.70	(22.00)	TYCO OR MOLEX GET 0.64	064-S-003-1-Z01	TOOLED
31402-3200	31402-3210											B								TOOLED
31402-3300	31402-3310											C								TOOLED, COLOR UNAVAILABLE
31402-3400	31402-3410											D								TOOLED, COLOR UNAVAILABLE
31402-3500	31402-3510											B								TOOLED
31402-3600	31402-3610											C								TOOLED
31402-3700	31402-3710											D								TOOLED
31403-3000	31403-3010	D	TOOLED (L)																	
31403-3100	31403-3110	A	TOOLED																	
31403-3200	31403-3210	B	TOOLED																	
31403-3300	31403-3310	C	TOOLED, COLOR UNAVAILABLE																	
31403-3400	31403-3410	D	TOOLED, COLOR UNAVAILABLE																	
31403-3500	31403-3510	B	TOOLED																	
31403-3600	31403-3610	C	TOOLED																	
31403-3700	31403-3710	D	TOOLED																	
31403-3800	31403-3810	C	TOOLED (L)																	
31404-3100	31404-3110	A	TOOLED																	
31404-3200	31404-3210	B	TOOLED																	
31404-3300	31404-3310	C	TOOLED, COLOR UNAVAILABLE																	
31404-3400	31404-3410	D	TOOLED, COLOR UNAVAILABLE																	
31404-3500	31404-3510	B	TOOLED																	
31404-3600	31404-3610	C	TOOLED																	
31404-3700	31404-3710	D	TOOLED																	
31402-4100	31402-4110	NO	1 X 4		A	TBD	TBD		21.25		(22.34)	TYCO OR MOLEX GET 0.64						064-S-004-1-Z02		NOT TOOLED
31402-4200	31402-4210				B															NOT TOOLED
31402-4300	31402-4310				C															NOT TOOLED
31402-4400	31402-4410				D															NOT TOOLED
31402-4500	31402-4510				B															NOT TOOLED
31402-4600	31402-4610				C															NOT TOOLED
31402-4700	31402-4710				D															NOT TOOLED
31403-4100	31403-4110				A															NOT TOOLED
31403-4200	31403-4210				B															NOT TOOLED
31403-4300	31403-4310			C	NOT TOOLED															
31403-4400	31403-4410			D	NOT TOOLED															
31403-4500	31403-4510			B	NOT TOOLED															
31403-4600	31403-4610			C	NOT TOOLED															
31403-4700	31403-4710			D	NOT TOOLED															
31404-4100	31404-4110			A	NOT TOOLED															
31404-4200	31404-4210			B	NOT TOOLED															
31404-4300	31404-4310			C	NOT TOOLED															
31404-4400	31404-4410			D	NOT TOOLED															
31404-4500	31404-4510			B	NOT TOOLED															
31404-4600	31404-4610			C	NOT TOOLED															
31404-4700	31404-4710			D	NOT TOOLED															
31402-4100	31402-4110									A										NOT TOOLED
31402-4200	31402-4210									B										NOT TOOLED
31402-4300	31402-4310									C										NOT TOOLED
31402-4400	31402-4410									D										NOT TOOLED
31402-4500	31402-4510									B										NOT TOOLED
31402-4600	31402-4610									C										NOT TOOLED
31402-4700	31402-4710									D										NOT TOOLED
31403-4100	31403-4110									A										NOT TOOLED
31403-4200	31403-4210									B										NOT TOOLED
31403-4300	31403-4310									C										NOT TOOLED
31403-4400	31403-4410									D										NOT TOOLED
31403-4500	31403-4510	B	NOT TOOLED																	
31403-4600	31403-4610	C	NOT TOOLED																	
31403-4700	31403-4710	D	NOT TOOLED																	
31404-4100	31404-4110	A	NOT TOOLED																	
31404-4200	31404-4210	B	NOT TOOLED																	
31404-4300	31404-4310	C	NOT TOOLED																	
31404-4400	31404-4410	D	NOT TOOLED																	
31404-4500	31404-4510	B	NOT TOOLED																	
31404-4600	31404-4610	C	NOT TOOLED																	
31404-4700	31404-4710	D	NOT TOOLED																	

SYMBOLS = 0 = 0 = 0 = 0 = 0 = 0 = 0 = 0 = 0 = 0 = 0	THIS DRAWING CONTAINS INFORMATION THAT IS PROPRIETARY TO MOLEX ELECTRONIC TECHNOLOGIES, LLC AND SHOULD NOT BE USED WITHOUT WRITTEN PERMISSION		
	DIMENSION UNITS	SCALE	CURRENT REV DESC:
	mm	1:1	
	GENERAL TOLERANCES (UNLESS SPECIFIED)		
	ANGULAR TOL	± 3.0°	EC NO: 175674
	4 PLACES	±	DRWN: PZHANG71 2018/05/04
	3 PLACES	±	CHK'D: GLI04 2018/05/07
	2 PLACES	± 0.13	APPR: JDENG02 2018/05/07
	1 PLACE	± 0.3	INITIAL REVISION:
	0 PLACES	±	DRWN: RCARLSON 2004/03/01 APPR: PBERG 2004/09/30
DRAFT WHERE APPLICABLE MUST REMAIN WITHIN DIMENSIONS		THIRD ANGLE PROJECTION	DRAWING
			D-SIZE
		SERIES	MATERIAL NUMBER
		31402	CUSTOMER
			GENERAL MARKET
			SHEET NUMBER
			6 OF 9

PART NUMBER WITHOUT CPA	PART NUMBER WITH CPA	CLIPSLOT OPTION	ROW/ CIRCUITS	KEY*	MATTE SEAL COLOR	PERIMETER SEAL COLOR	CONNECTOR COLOR	WIDTH DIM (A)	MIN. PASS THRU DIA.	FEMALE TERMINAL SUPPLIER	USCAR FOOTPRINT DRAWING NO.	STATUS
31404-7100	31404-7110	NO	1X6	A	ROYAL BLUE	LIGHT BLUE	BLACK	26.33	(26.82)	YAZAKI KAIZEN 0.64 TE GEN Y 0.64 JST AIT 0.64	064-S-006-1-Z02	TOOLED
31404-7200	31404-7210			B			GRAY					TOOLED
31404-7300	31404-7310			C			BROWN					TOOLED, COLOR UNAVAILABLE
31404-7400	31404-7410			D			GREEN					TOOLED, COLOR UNAVAILABLE
31404-7500	31404-7510			B			BLACK					TOOLED
31404-7600	31404-7610			C			BLACK					TOOLED
31404-7700	31404-7710			D			BLACK					TOOLED
31404-7800	31404-7810			C			NATURAL					TOOLED

ADDITIONAL CAVITY PLUG CONFIGURATIONS:

ROW/ CIRCUITS	FEMALE TERMINAL	MOLEX P/N WITH CPA	MOLEX P/N WITHOUT CPA	KEY OPTION	CLIPSLOT OPTION	COLOR	CIRCUIT NUMBER: "0" INDICATED PLUG LOCATION						TOTAL CIRCUITS PLUGGED	STATUS
							1	2	3	4	5	6		
1X6	YAZAKI KAIZEN 0.64 TE GEN Y 0.64 JST AIT 0.64	31404-7110	31404-7100	A	NO	BLACK							0	TOOLED
		31404-7111	31404-7101	A	NO	BLACK	0	0	0	0	0	0	6	TOOLED
		31404-7112	31404-7102	A	NO	BLACK	0		0				2	TOOLED
		31404-7113	31404-7103	A	NO	BLACK	0					0	2	TOOLED
		31404-7116	31404-7106	A	NO	BLACK						0	1	TOOLED
		31404-7117	31404-7107	A	NO	BLACK	0		0			0	3	TOOLED
		31404-7118	31404-7108	A	NO	BLACK	0						1	TOOLED
		31404-7119	31404-7109	A	NO	BLACK			0		0	0	3	TOOLED
		31404-7132	31404-7122	A	NO	BLACK			0				1	TOOLED
		31404-7213	31404-7203	B	NO	GRAY	0					0	2	TOOLED
		31404-7214	31404-7204	B	NO	GRAY						0	1	TOOLED
31404-7812	31404-7802	C	NO	NATURAL				0	0	0	3	TOOLED		

SYMBOLS = 0 = 0 = 0 = 0 = 0 = 0 = 0 = 0 = 0	THIS DRAWING CONTAINS INFORMATION THAT IS PROPRIETARY TO MOLEX ELECTRONIC TECHNOLOGIES, LLC AND SHOULD NOT BE USED WITHOUT WRITTEN PERMISSION		CURRENT REV DESC:		 0.64 USCAR CONNECTOR SEALED SINGLE ROW ASSEMBLY PRODUCT CUSTOMER DRAWING		
	DIMENSION UNITS	SCALE	EC NO: 175674				
	mm	1:1	DRWN: PZHANG71 2018/05/04				
	GENERAL TOLERANCES (UNLESS SPECIFIED)		CHK'D: GLI04 2018/05/07				
	ANGULAR TOL	± 3.0°	APPR: JDENG02 2018/05/07				
	4 PLACES	±	INITIAL REVISION:				
	3 PLACES	±	DRWN: RCARLSON 2004/03/01				
	2 PLACES	± 0.13	APPR: PBERG 2004/09/30				
	1 PLACE	± 0.3	DOCUMENT NUMBER				
	0 PLACES	±	SD-31402-211				
DRAFT WHERE APPLICABLE MUST REMAIN WITHIN DIMENSIONS		THIRD ANGLE PROJECTION	DRAWING	SERIES	DOC TYPE	DOC PART	REVISION
			D-SIZE	31402	PSD	001	T4
					MATERIAL NUMBER	CUSTOMER	SHEET NUMBER
						GENERAL MARKET	9 OF 9