



Chipsmall Limited consists of a professional team with an average of over 10 year of expertise in the distribution of electronic components. Based in Hongkong, we have already established firm and mutual-benefit business relationships with customers from,Europe,America and south Asia,supplying obsolete and hard-to-find components to meet their specific needs.

With the principle of “Quality Parts,Customers Priority,Honest Operation,and Considerate Service”,our business mainly focus on the distribution of electronic components. Line cards we deal with include Microchip,ALPS,ROHM,Xilinx,Pulse,ON,Everlight and Freescale. Main products comprise IC,Modules,Potentiometer,IC Socket,Relay,Connector.Our parts cover such applications as commercial,industrial, and automotives areas.

We are looking forward to setting up business relationship with you and hope to provide you with the best service and solution. Let us make a better world for our industry!



Contact us

Tel: +86-755-8981 8866 Fax: +86-755-8427 6832

Email & Skype: info@chipsmall.com Web: www.chipsmall.com

Address: A1208, Overseas Decoration Building, #122 Zhenhua RD., Futian, Shenzhen, China



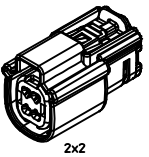
| TABLE OF CONTENTS | |
|-------------------|-------------------------------------|
| SHEET NO. | SHEET DESCRIPTION |
| 1 | NOTES AND BOM |
| 2 | CONFIGURATIONS |
| 3-4 | KEY CONFIGURATIONS |
| 5 | RECEPTACLE CONNECTOR ASSEMBLY |
| 6 | BACKSHELL NOTES |
| 7 | BACKSHELL |
| 8 | BACKSHELL CONFIGURATIONS |
| 9 | 2X10 CONNECTOR INTERFACE DEFINITION |

NOTES: VALID UNLESS OTHERWISE SPECIFIED

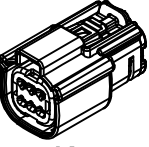
1. GENERAL:
- a. APPLICATION SPECIFICATION SEE: AS-33472-100
 - CONTAINS: PRODUCT INTRODUCTION, PRODUCT SUMMARY, CONNECTOR ASSEMBLY, PACKAGING INFORMATION, CONNECTOR MATING, SERVICE INSTRUCTIONS, ELECTRICAL CONTINUITY CHECKING, CRIMPING, AND TROUBLESHOOTING.
 - DESIGNED TO MATE WITH DEVICE OR CONNECTOR AS SPECIFIED IN THE MATING INTERFACE/CONNECTOR DRAWINGS CHART.
 - DENOTES DRAWINGS THAT CAN BE ACCESSED AT <http://ewcap.uscarteams.org/>.
 - ASSEMBLY SHIPPED WITH PLR IN PRE-LOCK POSITION (SEE PLR PRE-LOCK VIEW SHEET 5).
 - b. PRODUCT SPECIFICATION SEE:
 - STANDARD CONFIGURATION (STD): PS-33472-000
 - TRANSMISSION CONFIGURATION (TRNS):
 - CONTAINS SILICONE: TS-160038-0001
 - SILICONE FREE: TBD
 - UL V0 CONFIGURATION (UL V0): TBD
 - CONTAINS: PRODUCT INTRODUCTION, PRODUCT SUMMARY, RATINGS (CURRENT, TEMPERATURE, SEALING, AND FLAMMABILITY), TERMINALS, WIRE DIAMETER RANGE, PRODUCT VALIDATION, AND PRODUCT DEVIATIONS.
 - c. PACKAGING SPECIFICATION PER MOLEX DRAWING; SEE PACKAGING CHART
 - d. PARTS MUST BE IN COMPLIANCE TO MOLEX CHEMICAL SUBSTANCES FOR PRODUCTS AND PACKAGING SPECIFICATION: OEH5-699000-301
 - e. DATA MUST BE SUBMITTED UNDER THE MOLEX PART NUMBER TO IMDS (COMPANY ID=13255)
2. DESIGN - MATERIALS:
- a. FOR BILL OF MATERIALS SEE:
 - STANDARD CONFIGURATION SD-33472-0002
 - TRANSMISSION CONFIGURATION
 - CONTAINS SILICONE: SD-160038-0002
 - SILICONE FREE: SD-160092-0002
 - UL V0 CONFIGURATION SD-160074-0002
 - b. TRANSMISSION CONNECTOR COMPONENTS MUST MEET THE MATERIAL REQUIREMENTS SPECIFIED IN TS-160038-0001 & TBD
3. DESIGN - GEOMETRY:
- a. THE 3-D CAD DATA IS BASIC (WITHOUT TOLERANCE) AND MASTER FOR THIS PART WITH THE EXCEPTION OF UNDERLINED DIMENSIONS, DIMENSIONAL INFORMATION NOT SHOWN ON THIS DRAWING IS DEFINED BY THE DATA FILE AT ITS LATEST REVISION.
 - b. GEOMETRIC DIMENSIONS AND TOLERANCES PER ASME Y14.5M-2009
 - c. EDGES AND UNDIMENSIONED DETAILS PER ISO13715
 - d. CORNERS SHOWN AS SHARP TO BE R 0.2 MAX.
 - e. LETTERING SHALL BE 0.15 MAX RAISED IN 0.25 MAX RECESS PAD. THIS INCLUDES RECYCLING CODE, CAVITY ID, VENDOR IDENTIFICATION, AND CUSTOMER MATERIAL NUMBER.
 - f. VISUAL DEFECTS SHALL MEET COSMETIC STANDARD PS-45499-002 (Class B).
 - g. LASER MARKING:
 1. PART NUMBER
 2. DAY OF THE YEAR
 3. SHIFT
 4. YEAR
 - h. FOR ADDITIONAL INFORMATION SEE SECTION 5 UNDER PROCEDURES IN ES-34735-008.
- h. 2X2 CLIP-SLOT DESIGN IS BASED ON USCAR/EWCAP 7mm CLIP SLOT EWCAP - 005 - 7
 2X3 THRU 2X10 CLIP-SLOT DESIGN IS BASED ON USCAR/EWCAP 11mm CLIP SLOT EWCAP - 005 - 11

| PACKAGING | |
|-------------|--------------|
| DESCRIPTION | DRAWING NO. |
| 2X2 | PK-31300-635 |
| 2X3 | PK-31300-903 |
| 2X4 | PK-31300-903 |
| 2X6 | PK-31300-903 |
| 2X8 | PK-31300-903 |
| 2X10 | PK-31300-903 |

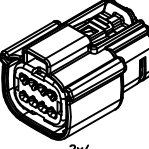
| MATING INTERFACE/CONNECTOR DRAWINGS | | |
|-------------------------------------|----------------------|---------------|
| DESCRIPTION | INTERFACE DEFINITION | MOLEX INLINE |
| STANDARD 2X2 | *150-S-004-2-Z02 | SD-33482-0001 |
| UL V0 2X2 | *150-S-004-2-Z02 | SD-33482-0001 |
| STANDARD 2X3 | *150-S-006-2-Z02 | SD-33482-0001 |
| TRANSMISSION 2X3 | *150-S-006-2-Z02 | N/A |
| STANDARD 2X4 | *150-S-008-2-Z02 | SD-33482-0001 |
| UL V0 2X4 | *150-S-008-2-Z02 | SD-33482-0001 |
| STANDARD 2X6 | *150-S-012-2-Z01 | SD-33482-0001 |
| STANDARD 2X8 | *150-S-016-2-Z01 | SD-33482-0001 |
| STANDARD 2X10 | SD-33472-0001 | SD-33482-0001 |
| UL V0 2X10 | SD-33472-0001 | SD-33482-0001 |



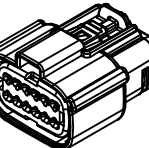
2x2



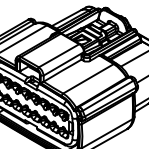
2x3



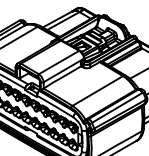
2x4



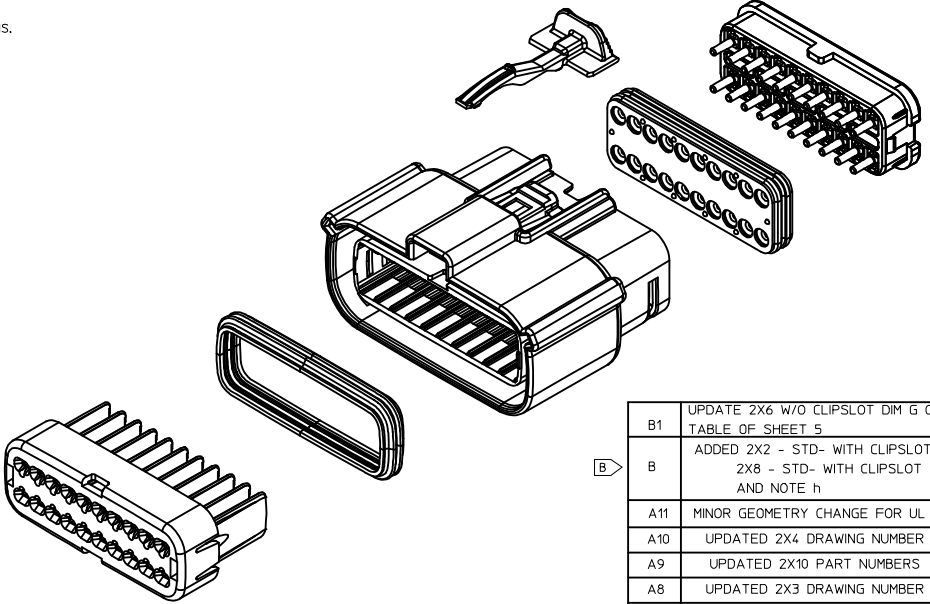
2x6



2x8



2x10



| | |
|-----|---|
| B1 | UPDATE 2X6 W/O CLIPSLOT DIM G ON TABLE OF SHEET 5 |
| B | ADDED 2X2 - STD- WITH CLIPSLOT, 2X8 - STD- WITH CLIPSLOT AND NOTE h |
| A11 | MINOR GEOMETRY CHANGE FOR UL V0 |
| A10 | UPDATED 2X4 DRAWING NUMBER |
| A9 | UPDATED 2X10 PART NUMBERS |
| A8 | UPDATED 2X3 DRAWING NUMBER |
| A7 | UPDATED 2X10 INTERFACE |
| A6 | ADDED TRANSMISSION REFERENCES |
| A5 | ADD 2X10 INTERFACE SHEETS |
| A4 | ADD UL V0 CONFIGURATIONS |
| A3 | ADDED 2X3 STD AND TRANSMISSION |
| A2 | UPDATED 2X8 BLD DRAWINGS |
| A1 | FIXED TYPO IN NOTE 1a, UPDATED 2X6 MOLEX INLINE BLADE DRAWING |
| A | INITIAL RELEASE |
| REV | REV DESCRIPTION |

INSPECTION NUMBER LOG
 LAST NUMBER: 11
 ADDED: 11
 REMOVED:

| | | | | | |
|---|---|--|---|--|--|
| ENTER DESCRIPTION EEC NO: UAUZ017-0214 DRWING: 104 CHKD: APPR: KDKOSKI REV: B1 | DIMENSION STYLE MM ONLY | SCALE 1.5:1 | DESIGN UNITS METRIC | THIRD ANGLE PROJECTION | |
| | QUALITY SYMBOLS ∇=0 ∇=0 ∇=0 | GENERAL TOLERANCES (UNLESS SPECIFIED) 4 PLACES ± --- ± --- 3 PLACES ± --- ± --- 2 PLACES ± 0.10 ± --- 1 PLACE ± 0.2 ± --- 0 PLACE ± --- ± --- | DRAWN BY DATE APROFFITT 2014/05/14 CHECKED BY DATE APPROVED BY DATE VKOSHY 2014/06/27 | TITLE MX150 RCPT DUAL ROW SEALED ASSEMBLY MAT SEAL | |
| | DRAFT WHERE APPLICABLE MUST REMAIN WITHIN DIMENSIONS | MATERIAL NO. SEE NOTE 2a. | DOCUMENT NO. SD-33472-0001 | SHEET NO. 1 OF 9 | |
| | THIS DRAWING CONTAINS INFORMATION THAT IS PROPRIETARY TO MOLEX INCORPORATED AND SHOULD NOT BE USED WITHOUT WRITTEN PERMISSION | | | | |

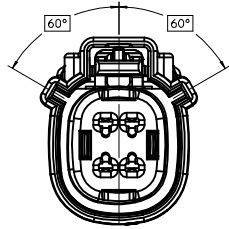
SHEET DESCRIPTION

KEY CONFIGURATIONS

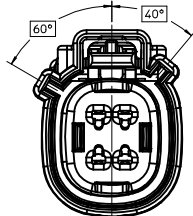
2X2

2X3

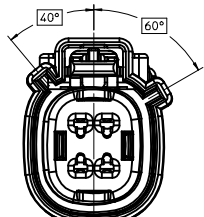
2X4



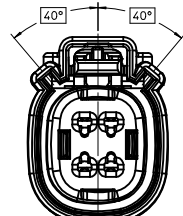
KEY A



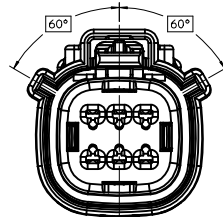
KEY B



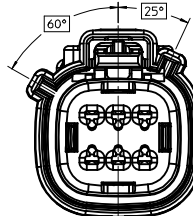
KEY C



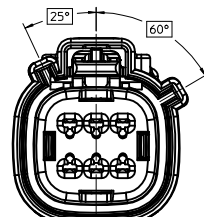
KEY D



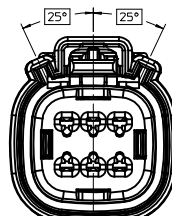
KEY A



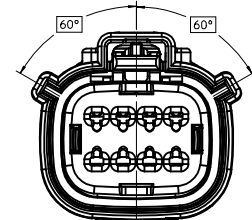
KEY B



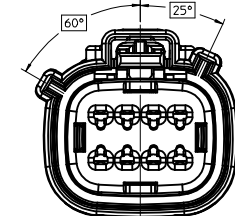
KEY C



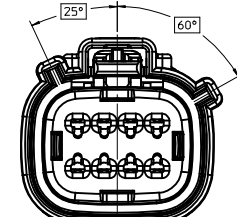
KEY D



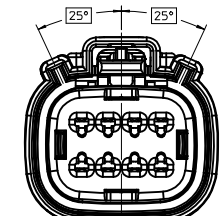
KEY A



KEY B



KEY C



KEY D

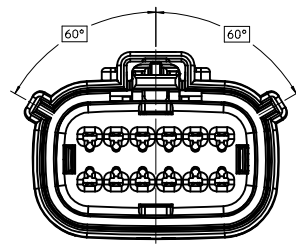
| | | | | | | |
|---|-----------------------|--|---|--|--------------|------------------------|
| ENTER DESCRIPTION EC NO: UAU2017-0214 DRAWING: 104 CHKD: APPR: KCEKOSKI 2016/09/09 2016/09/14 DESCRIPTION | QUALITY SYMBOLS | GENERAL TOLERANCES (UNLESS SPECIFIED) | DIMENSION STYLE | SCALE | DESIGN UNITS | THIRD ANGLE PROJECTION |
| | ▽=0 | mm INCH | MM ONLY | 3:1 | METRIC | |
| | ▽=0.1 | 4 PLACES ± --- ± --- | DRAWN BY DATE | TITLE | | |
| | ▽=0.2 | 3 PLACES ± --- ± --- | APPROVED BY DATE | MX150 RCPT DUAL ROW SEALED ASSEMBLY MAT SEAL | | |
| ▽=0.3 | 2 PLACES ± 0.10 ± --- | CHECKED BY DATE | DOCUMENT NO. | | | |
| ▽=0.4 | 1 PLACE ± 0.2 ± --- | APPROVED BY DATE | SD-33472-0001 | | | |
| ▽=0.5 | 0 PLACE ± --- ± --- | APPROVED BY DATE | SHEET NO. | | | |
| | ANGULAR ± 1 ° | DRAFT WHERE APPLICABLE MUST REMAIN WITHIN DIMENSIONS | SEE NOTE 2a. | | | |
| | | | THIS DRAWING CONTAINS INFORMATION THAT IS PROPRIETARY TO MOLEX INCORPORATED AND SHOULD NOT BE USED WITHOUT WRITTEN PERMISSION | | | |

SHEET DESCRIPTION
KEY CONFIGURATIONS CONT.

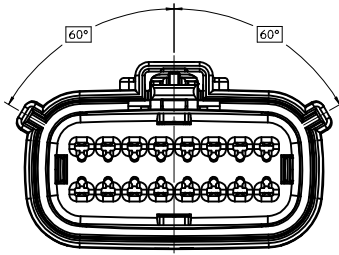
2X6

2X8

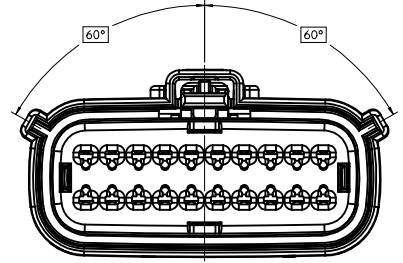
2X10



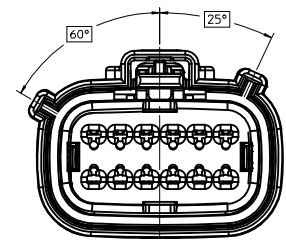
KEY A



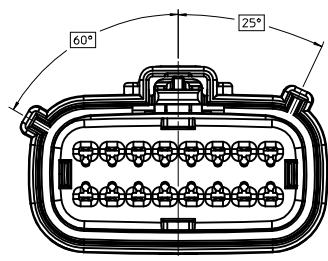
KEY A



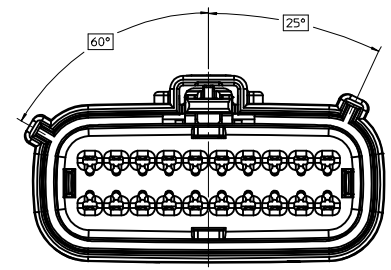
KEY A



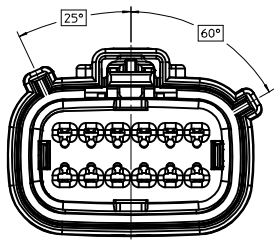
KEY B



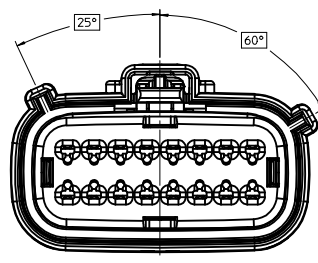
KEY B



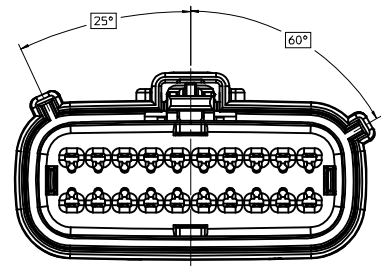
KEY B



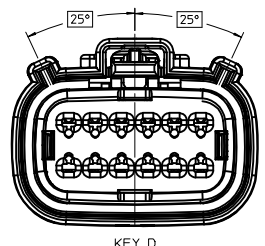
KEY C



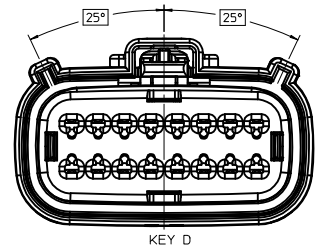
KEY C



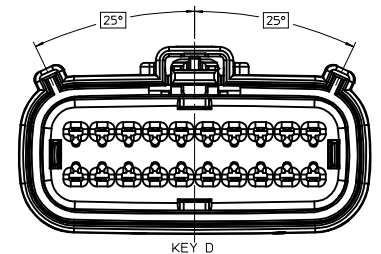
KEY C



KEY D



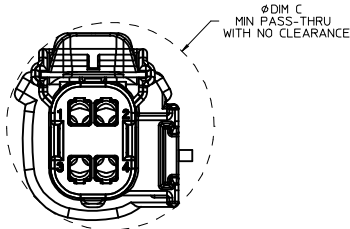
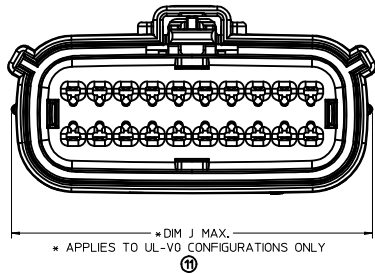
KEY D



KEY D

| ENTER DESCRIPTION EC NO: UAU2017-0214 DRAWING: 104 CHKD: APPR:KDEKOSKI 2016/09/14 2016/09/14 B1 | QUALITY SYMBOLS ▽=0 ▽=0 ▽=0 | GENERAL TOLERANCES (UNLESS SPECIFIED) <table border="1"> <tr> <th></th> <th>mm</th> <th>INCH</th> </tr> <tr> <td>4 PLACES</td> <td>± .10</td> <td>± .004</td> </tr> <tr> <td>3 PLACES</td> <td>± .15</td> <td>± .005</td> </tr> <tr> <td>2 PLACES</td> <td>± 0.10</td> <td>± .004</td> </tr> <tr> <td>1 PLACE</td> <td>± 0.2</td> <td>± .008</td> </tr> <tr> <td>0 PLACE</td> <td>± .3</td> <td>± .012</td> </tr> </table> ANGULAR ± 1° DRAFT WHERE APPLICABLE MUST REMAIN WITHIN DIMENSIONS | | mm | INCH | 4 PLACES | ± .10 | ± .004 | 3 PLACES | ± .15 | ± .005 | 2 PLACES | ± 0.10 | ± .004 | 1 PLACE | ± 0.2 | ± .008 | 0 PLACE | ± .3 | ± .012 | DIMENSION STYLE MM ONLY DRAWN BY DATE APPROFFITT 2014/05/14 CHECKED BY DATE APPROVED BY DATE VKOSHY 2014/06/27 MATERIAL NO. SEE NOTE 2a. | SCALE 3:1 DESIGN UNITS METRIC THIRD ANGLE PROJECTION | TITLE MX150 RCPT DUAL ROW SEALED ASSEMBLY MAT SEAL molex DOCUMENT NO. SD-33472-0001 | SHEET NO. 4 OF 9 |
|---|--------------------------------------|--|--------|----|------|----------|-------|--------|----------|-------|--------|----------|--------|--------|---------|-------|--------|---------|------|--------|---|--|--|---------------------|
| | | mm | INCH | | | | | | | | | | | | | | | | | | | | | |
| | 4 PLACES | ± .10 | ± .004 | | | | | | | | | | | | | | | | | | | | | |
| | 3 PLACES | ± .15 | ± .005 | | | | | | | | | | | | | | | | | | | | | |
| 2 PLACES | ± 0.10 | ± .004 | | | | | | | | | | | | | | | | | | | | | | |
| 1 PLACE | ± 0.2 | ± .008 | | | | | | | | | | | | | | | | | | | | | | |
| 0 PLACE | ± .3 | ± .012 | | | | | | | | | | | | | | | | | | | | | | |
| THIS DRAWING CONTAINS INFORMATION THAT IS PROPRIETARY TO MOLEX INCORPORATED AND SHOULD NOT BE USED WITHOUT WRITTEN PERMISSION | | | | | | | | | | | | | | | | | | | | | | | | |
| SIZE 1 | | | | | | | | | | | | | | | | | | | | | | | | |
| 1 | | | | | | | | | | | | | | | | | | | | | | | | |

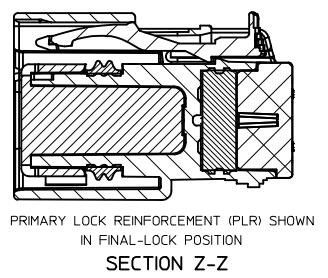
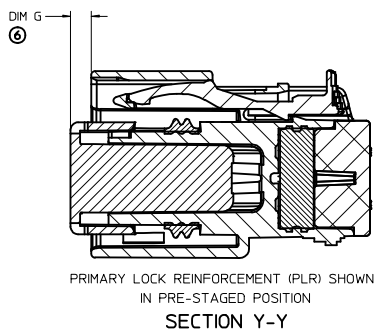
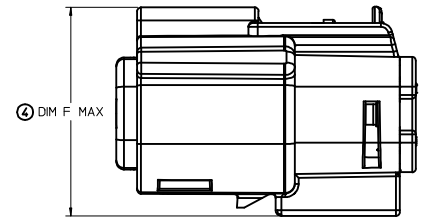
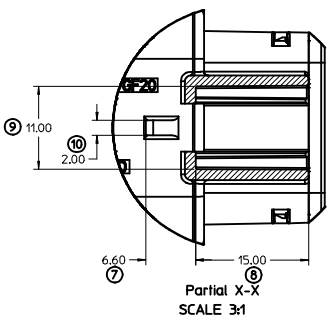
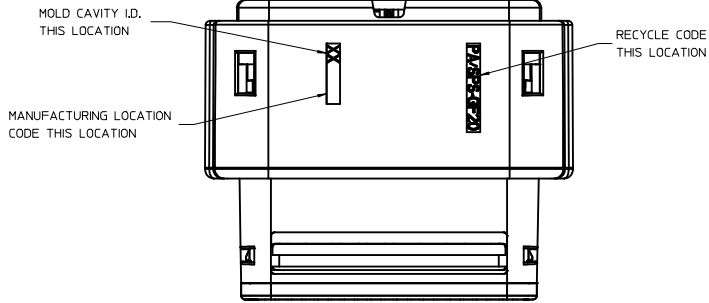
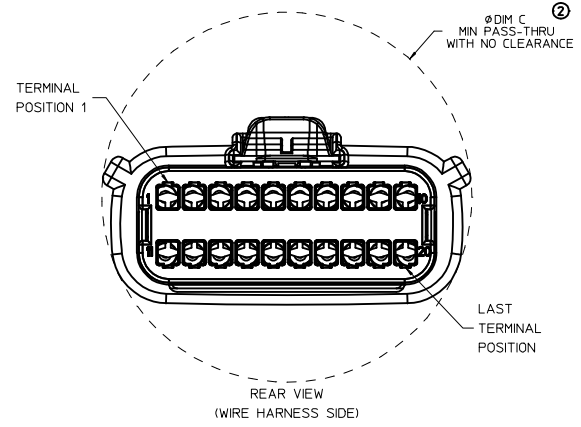
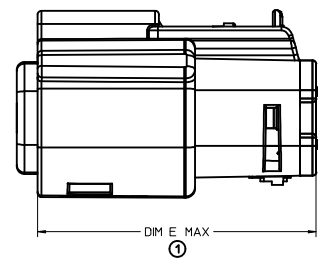
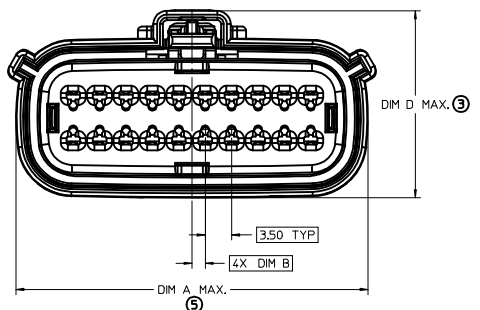
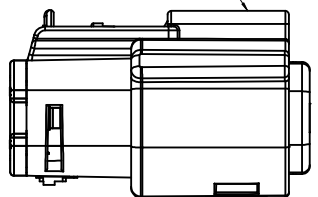
SHEET DESCRIPTION
RECEPTACLE CONNECTOR ASSEMBLY



| DESCRIPTION | DIMENSIONS | | | | | | | |
|-------------------|------------|------|-------|-------|-------|-------|-----------|-------|
| | A | B | C | D | E | F | G | J |
| 2X2 W/O CLIPSLOT | 18.58 | 1.75 | 25.45 | 24.81 | 37.65 | N/A | 2.75±0.50 | |
| 2X2 W/ LIPSLOT | 18.58 | 1.75 | 27.65 | 24.81 | 37.65 | N/A | 2.75±0.50 | |
| 2X2 LENGTHENED | 18.58 | 1.75 | 25.45 | 24.81 | 42.25 | N/A | 2.75±0.50 | 20.04 |
| 2X3 W/ CLIPSLOT | 22.25 | 3.50 | 30.50 | N/A | 37.65 | 27.96 | 4.0±0.4 | |
| 2X3 W/O CLIPSLOT | 22.25 | 3.50 | 26.24 | 24.90 | 37.65 | N/A | 4.0±0.4 | |
| 2X4 W/ CLIPSLOT | 25.75 | 1.75 | 31.50 | N/A | 37.65 | 28.00 | 2.75±0.50 | 27.04 |
| 2X4 W/O CLIPSLOT | 25.75 | 1.75 | 29.19 | 24.81 | 37.65 | N/A | 2.75±0.50 | 27.04 |
| 2X6 W/ CLIPSLOT | 32.75 | 1.75 | 35.58 | N/A | 37.65 | 27.76 | 2.75±0.50 | |
| 2X6 W/O CLIPSLOT | 32.75 | 1.75 | 35.58 | 24.90 | 37.65 | N/A | 2.75±0.4 | |
| 2X8 W/O CLIPSLOT | 39.80 | 1.75 | 42.25 | 24.90 | 37.65 | N/A | 4.0±0.4 | |
| 2X8 W/ CLIPSLOT | 39.80 | 1.75 | 42.25 | 24.90 | 37.65 | 27.8 | 4.0±0.4 | |
| 2X10 W/O CLIPSLOT | 46.75 | 1.75 | 49.05 | 24.90 | 37.65 | N/A | 2.75±0.50 | 48.04 |

⊃ APPLIES TO 2X2 - STD. - WITH CLIPSLOT ONLY

LASER MARKING ON THIS SURFACE
SEE NOTE 3g.



| | | | | | |
|---|--|--|---|---|---|
| ENTER DESCRIPTION EC NO: UAU2017-0214 DRAWING: 104 CHKD: APPR: KEEKOSKI DATE: 2016/09/14 | QUALITY SYMBOLS ∇=0 ∇=1 ∇=2 ∇=3 ∇=0 | GENERAL TOLERANCES (UNLESS SPECIFIED) mm INCH 4 PLACES ± --- ± --- 3 PLACES ± --- ± --- 2 PLACES ± 0.10 ± --- 1 PLACE ± 0.2 ± --- 0 PLACE ± --- ± --- ANGULAR ± 1 ° DRAFT WHERE APPLICABLE MUST REMAIN WITHIN DIMENSIONS | DIMENSION STYLE MM ONLY SCALE 3:1 DESIGN UNITS METRIC THIRD ANGLE PROJECTION | DRAWN BY DATE APPROFF I T T 2014/05/14 CHECKED BY DATE APPROVED BY DATE VKOSHY 2014/06/27 | TITLE MX150 RCPT DUAL ROW SEALED ASSEMBLY MAT SEAL molex DOCUMENT NO. SD-33472-0001 SHEET NO. 5 OF 9 |
| | SEE NOTE 2a. | | THIS DRAWING CONTAINS INFORMATION THAT IS PROPRIETARY TO MOLEX INCORPORATED AND SHOULD NOT BE USED WITHOUT WRITTEN PERMISSION | | |

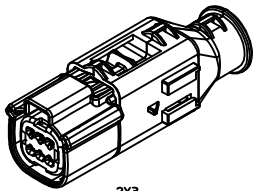
SHEET DESCRIPTION
BACKSHELL NOTES

BACKSHELL NOTES: VALID UNLESS OTHERWISE SPECIFIED

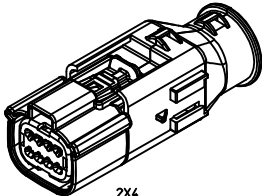
1. GENERAL:
 a. APPLICATION SPECIFICATION SEE: AS-34951-001
 -DESIGNED TO MATE WITH RECEPTACLE SEALED ASSEMBLY SPECIFIED IN MOLEX DRAWING SD-33472-0001.
 -SYSTEM TO BE USED WITH WIRE WITHIN DIAMETER RANGE OF 1.2mm TO 2.69mm.
 -COMPONENTS ARE OPTIONAL AND MUST BE PURCHASED SEPERATELY.
 -BACKSHELL DESIGN IS OWNED BY SCHLEMMER.
 -FOR ADDITIONAL INFORMATION SEE THE BACKSHELL COMPONENT DRAWING SD-34951-0001.

BACKSHELL CUSTOMER MODEL NUMBER LEGEND

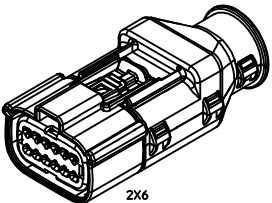
- 34951-XXXX
- CUSTOMER MODEL COMPONENTS
 - 0 - BACKSHELL ONLY
 - 1 - BACKSHELL & MX150 HOUSING KEY A ASSEMBLY
 - 2 - BACKSHELL & MX150 HOUSING KEY B ASSEMBLY
 - 3 - BACKSHELL & MX150 HOUSING KEY C ASSEMBLY
 - 4 - BACKSHELL & MX150 HOUSING KEY D ASSEMBLY
 - BACKSHELL FEATURES
 - 1 - WITH RIBS
 - 2 - WITHOUT RIBS
 - MX150 CIRCUIT SIZE 04, 06, 08, 12, 16, 20



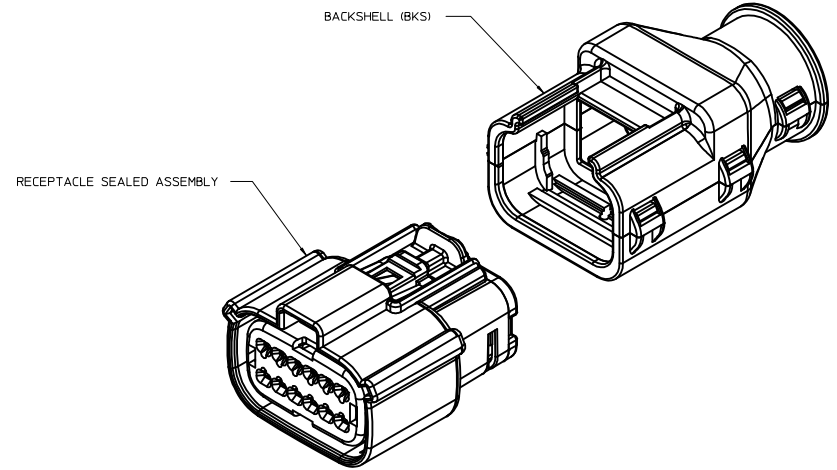
2X3



2X4



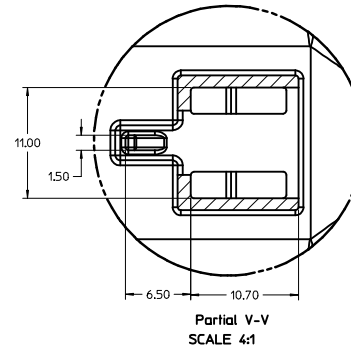
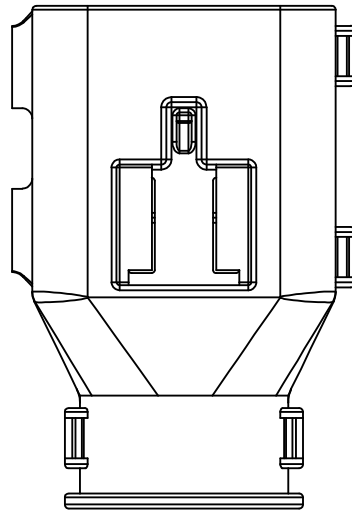
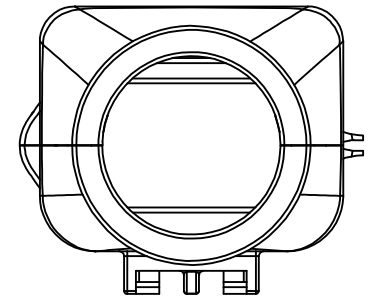
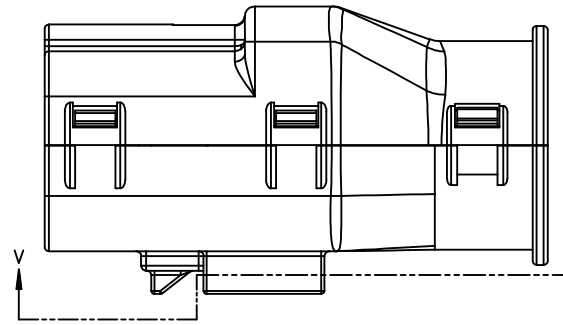
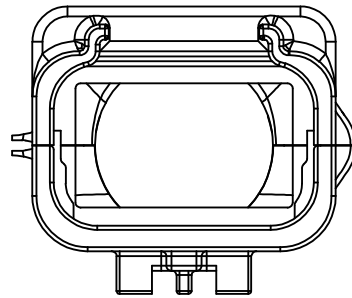
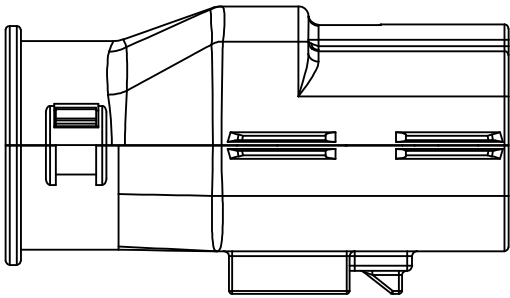
2X6



| | | | | | | | | |
|---|-----------------|---------------------------------------|------|-----------------------------------|--|-----------------------|--|--|
| ENTER DESCRIPTION ELEC NO: 0402017-0214 DRAWING: 104 CHKD: APPR: KDK/KOSKI 2016/09/14 2016/09/14 B1 | QUALITY SYMBOLS | GENERAL TOLERANCES (UNLESS SPECIFIED) | | DIMENSION STYLE MM ONLY | | SCALE 4:1 | DESIGN UNITS METRIC | THIRD ANGLE PROJECTION |
| | ▽=0 | 4 PLACES ± | --- | ± | --- | DRAWN BY APPROFIT | DATE 2014/05/14 | TITLE MX150 RCPT DUAL ROW SEALED ASSEMBLY MAT SEAL |
| | ▽=0 | 3 PLACES ± | --- | ± | --- | CHECKED BY | DATE | molex DOCUMENT NO. SD-33472-0001 |
| | ▽=0 | 2 PLACES ± | 0.10 | ± | --- | APPROVED BY VKOSHY | DATE 2014/06/27 | |
| ▽=0 | 1 PLACE ± | 0.2 | ± | --- | MATERIAL NO. | | THIS DRAWING CONTAINS INFORMATION THAT IS PROPRIETARY TO MOLEX INCORPORATED AND SHOULD NOT BE USED WITHOUT WRITTEN PERMISSION | |
| ▽=0 | 0 PLACE ± | --- | ± | --- | SEE NOTE 2a. DRAFT WHERE APPLICABLE MUST REMAIN WITHIN DIMENSIONS | | | |

SHEET DESCRIPTION

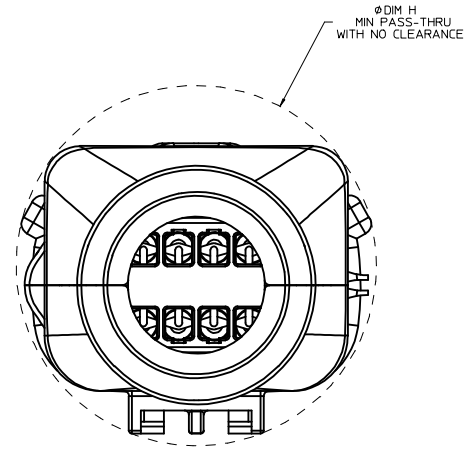
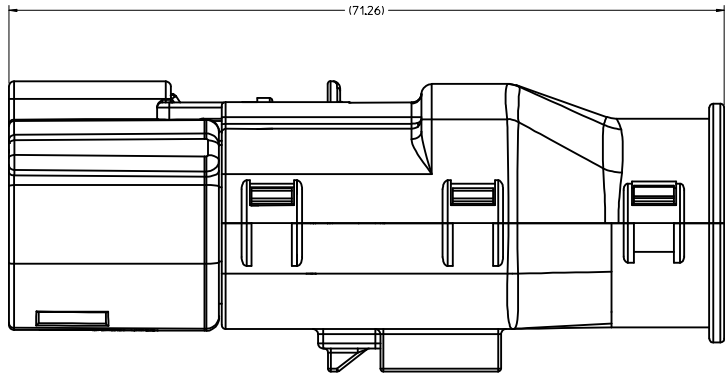
BACKSHELL



| | | | | | | |
|---|-----------------------|--|---|-------|--------------|--|
| ENTER DESCRIPTION EC NO: UA02017-0214 DRAWING: 104 CHKD: APPR: KDK/OSK1 2016/09/14 | QUALITY SYMBOLS | GENERAL TOLERANCES (UNLESS SPECIFIED) | DIMENSION STYLE | SCALE | DESIGN UNITS | THIRD ANGLE PROJECTION |
| | ▽=0 | mm INCH | MM ONLY | 4:1 | METRIC | |
| | ▽=1 | 4 PLACES ± --- ± --- | DRAWN BY DATE | | | |
| | ▽=2 | 3 PLACES ± --- ± --- | APPROFIT 2014/05/14 | | | |
| ▽=3 | 2 PLACES ± 0.10 ± --- | CHECKED BY DATE | | | | TITLE |
| ▽=4 | 1 PLACE ± 0.2 ± --- | APPROVED BY DATE | | | | MX150 RCPT DUAL ROW SEALED ASSEMBLY MAT SEAL |
| ▽=5 | 0 PLACE ± --- ± --- | VKOSHY 2014/06/27 | | | | molex |
| | ANGULAR ± 1° | DRAFT WHERE APPLICABLE MUST REMAIN WITHIN DIMENSIONS | SEE NOTE 2a. | | | DOCUMENT NO. SD-33472-0001 |
| | | | THIS DRAWING CONTAINS INFORMATION THAT IS PROPRIETARY TO MOLEX INCORPORATED AND SHOULD NOT BE USED WITHOUT WRITTEN PERMISSION | | | SHEET NO. 7 OF 9 |

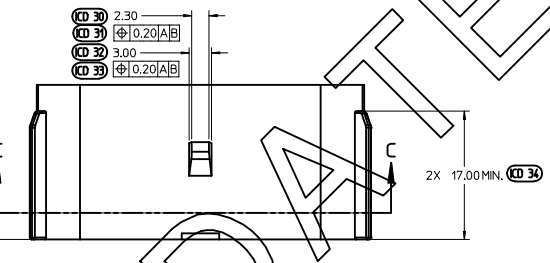
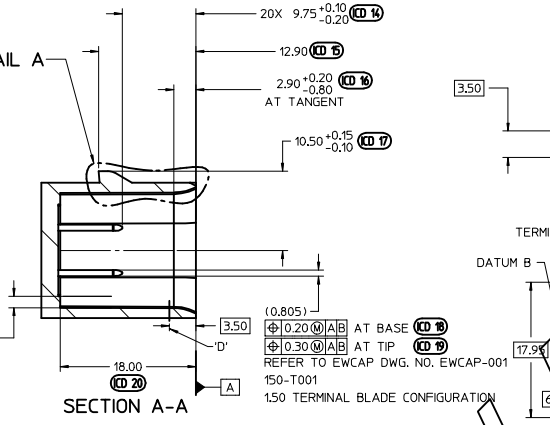
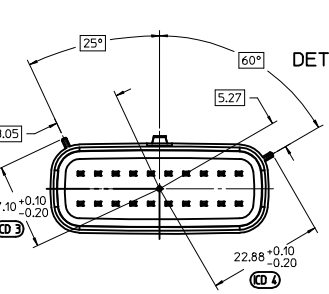
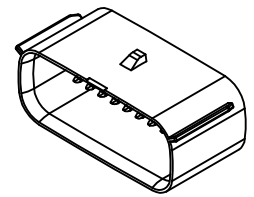
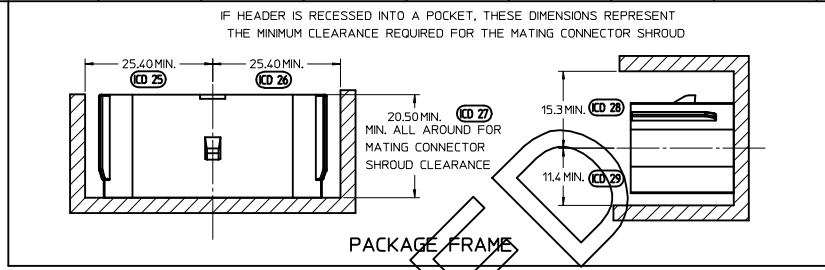
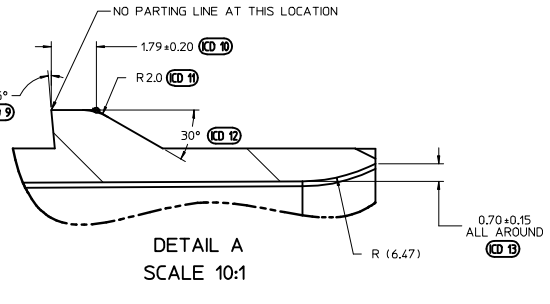
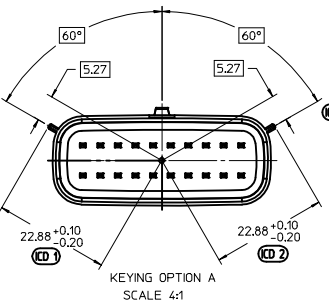
SHEET DESCRIPTION
BACKSHELL CONFIGURATIONS

| CHARTED DIMENSIONS | |
|--------------------|------------|
| DESCRIPTION | DIMENSIONS |
| | H |
| 2X2 W/O CLIPSLOT | TBD |
| B 2X2 W/ CLIPSLOT | TBD |
| 2X2 LENGTHENED | TBD |
| 2X3 W/ CLIPSLOT | TBD |
| 2X3 W/O CLIPSLOT | 28,50 |
| 2X4 W/ CLIPSLOT | TBD |
| 2X4 W/O CLIPSLOT | 30,75 |
| 2X6 W/ CLIPSLOT | TBD |
| 2X6 W/O CLIPSLOT | 35,83 |
| B 2X8 W/O CLIPSLOT | TBD |
| 2X8 W/ CLIPSLOT | TBD |
| 2X10 W/O CLIPSLOT | TBD |

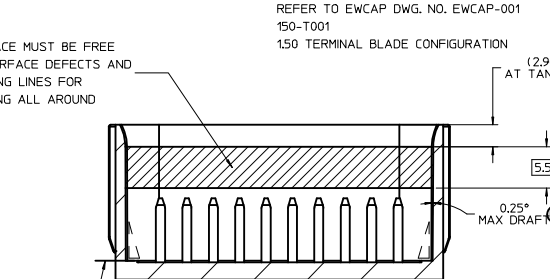
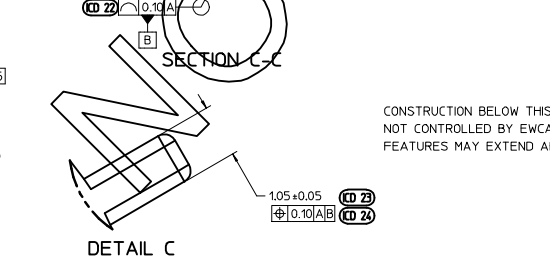
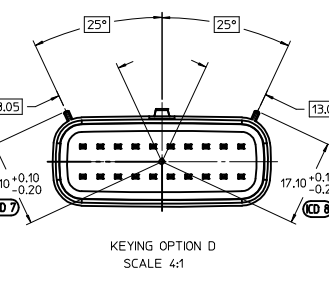
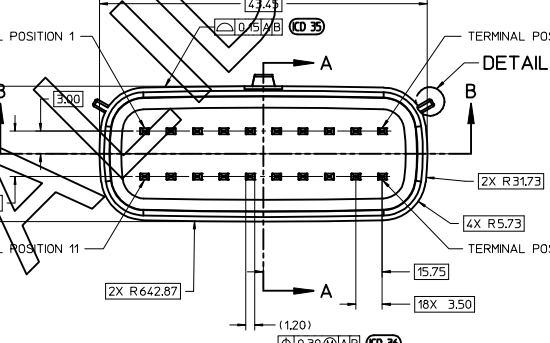
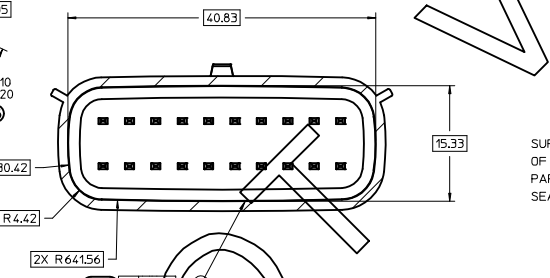
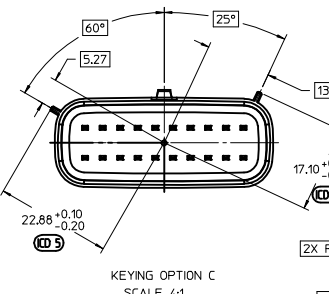


RECEPTACLE SEALED ASSEMBLY WITH RECEPTACLE BACKSHELL

| | | | | | | | |
|--|--|--|---------------------------------------|---|---------------------|--------------------------|------------------------|
| ENTER DESCRIPTION EC NO: UAU2017-0214 DRAWING: 104 CHKD: APPR:KDEKOSKI B1 | 2016/09/14 DESCRIPTION APPR:KDEKOSKI | QUALITY SYMBOLS | GENERAL TOLERANCES (UNLESS SPECIFIED) | DIMENSION STYLE | SCALE | DESIGN UNITS | THIRD ANGLE PROJECTION |
| | | ▽=0 | mm INCH | MM ONLY | 4:1 | METRIC | ☐ |
| | | ▽=0 | 4 PLACES ± --- ± --- | DRAWN BY DATE | APPROFIT 2014/05/14 | TITLE | MX150 RCPT |
| | | ▽=0 | 3 PLACES ± --- ± --- | CHECKED BY DATE | | DUAL ROW SEALED ASSEMBLY | |
| ▽=0 | 2 PLACES ± 0.10 ± --- | APPROVED BY DATE | VKOSHY 2014/06/27 | MATERIAL NO. | SD-33472-0001 | SHEET NO. | 8 OF 9 |
| ▽=0 | 1 PLACE ± 0.2 ± --- | ANGULAR ± 1 ° | SEE NOTE 2a. | DOCUMENT NO. | | | |
| ▽=0 | 0 PLACE ± --- ± --- | DRAFT WHERE APPLICABLE MUST REMAIN WITHIN DIMENSIONS | SIZE 1 | THIS DRAWING CONTAINS INFORMATION THAT IS PROPRIETARY TO MOLEX INCORPORATED AND SHOULD NOT BE USED WITHOUT WRITTEN PERMISSION | | | |



1. GENERAL:
- a. DESIGNED TO MATE WITH MOLEX CONNECTOR 33472-2YXX & 160008-0XXX & 160074-0XXX. A FULL SHROUD ON THE MATING CONNECTOR IS REQUIRED TO INSURE THAT THE CONNECTOR-HEADER POLARIZATION FEATURES (OPTIONS A THRU D) WILL FUNCTION. THE FULL SHROUD ALSO PREVENTS SCOOPE DAMAGE TO THE HEADER PINS. REFER TO 'SAE/USCAR-12 CONNECTOR DESIGN GUIDE LINES' FOR ADDITIONAL INFORMATION.
 - b. PARTS MUST BE IN COMPLIANCE TO MOLEX CHEMICAL SUBSTANCES FOR PRODUCTS AND PACKAGING SPECIFICATION: ES-40000-5016
 - c. FLAMMABILITY REQUIREMENT: PER ISO3795 OR GM3191
 - 1. BURN RATE 100mm/MIN MAXIMUM
 - 2. MATERIAL MUST BE SELF EXTINGUISHING
2. MATERIALS:
- a. MATERIAL: SPS/NYLON GF20, REGRIND 20% MAX BY WEIGHT
 - b. STANDARD COLORS FOR POLARIZATION (SEE KEYING OPTIONS TABLE). DEVIATION REQUIRES APPROVAL OF AUTHORIZED PERSON
 - c. FOR BLADE BASE MATERIAL, PLATING AND PROCESS LUBRICANT:
 - 1. TIN: - BASE MATERIAL: COPPER ALLOY, CONDUCTIVITY >=60% IACS AT 20°C, TENSILE STRENGTH >= 410 N/mm²
 - BARRIER MATERIAL: NICKEL DEPOSIT FROM NICKEL SULFAMATE PLATING SOLUTION W/O ANY ADDITIVES
 - THICKNESS: 125 - 225 MICROMETERS
 - TOP LAYER: 100% ELECTRO-DEPOSITED TIN, MATTE FINISH
 - THICKNESS: 2.5 - 4.0 MICROMETERS
 - 2. SILVER: - BARRIER MATERIAL: ELECTRO-DEPOSITED DUCTILE SULPHAMATE NICKEL
 - THICKNESS: 125 - 225 MICROMETERS
 - TOP LAYER: ELECTRO-DEPOSITED SEMI-BRIGHT PURE SILVER (0.5% MAX IMPURITIES) OVER NICKEL ANTI-TARNISH TREATMENT EVERBRIGHT WS
 - THICKNESS: 19 - 3.3 MICROMETERS
 - 3. BLADES MUST CONFORM TO ES-40000-5007, EXCEPT FOR SPECULAR REFLECTIVITY - SECTION 6.0
 - 4. ANY PROCESS LUBRICANT REMAINING ON THE TERMINAL MUST NOT VARNISH OR DEGRADE IT'S ELECTRICAL PERFORMANCE UP TO A MAXIMUM CLASS AMBIENT TEMPERATURE PER SAE USCAR-2 FOR 1008 HOURS. PROCESS LUBRICANTS SHOULD BE APPROVED BY THE RESPONSIBLE ENGINEER.
 - 5. INFORMATION FOR BLADE DESIGN WAS DEVELOPED FROM EWCAP DWG: EWCAP-001
3. GEOMETRY:
- a. THIS IS A 100% CAD GENERATED PART. THE CAD MATHEMATICAL DATA IS THE MASTER FOR THIS PART, FOR DIMENSIONAL OR ANY INFORMATION NOT SHOWN ON THIS DRAWING.
 - b. GEOMETRIC DIMENSIONS AND TOLERANCES PER ASME Y14.5M - 1994
 - c. GENERAL TOLERANCES: SEE TITLE BLOCK
 - d. EDGES AND UNDIMENSIONED DETAILS PER ISO19175
4. MANUFACTURING:
- a. DRAFT TO BE WITHIN TOLERANCE. PLUS DRAFT - INDICATES A DIMENSION REPRESENTS THE SMALLEST SIZE OF A FEATURE. DRAFT WILL ADD MATERIAL. MINUS DRAFT - INDICATES A DIMENSION REPRESENTS THE LARGEST SIZE OF A FEATURE. DRAFT WILL REMOVE MATERIAL.
 - b. ALLOWABLE FLASH MAX 0.20 HIGH BY MAX 0.13 THICK.
 - c. ALLOWABLE SPLIT/PARTING LINE MISMATCH 0.2 MAX.
 - d. VISUAL DEFECTS SHALL MEET COSMETIC STANDARD PS-45499-002 (Class B)
 - e. NO EXTERNAL MOLD RELEASE AGENT ALLOWED DURING MANUFACTURING
 - f. NO PARTING LINES, NO DRAFT, MISMATCHES OR EJECTOR MARKS PERMISSIBLE WITHIN SEALING SURFACE. SEALING SURFACE TOOLING TO BE PROCESSED TO A SURFACE FINISH OF NTMA #70 (400 PAPER) MINIMUM



SURFACE MUST BE FREE OF SURFACE DEFECTS AND PARTING LINES FOR SEALING ALL AROUND

CONSTRUCTION BELOW THIS SURFACE IS NOT CONTROLLED BY EWCAP. NO PLASTIC FEATURES MAY EXTEND ABOVE THIS SURFACE.

| | | |
|-----------------|--------|------------------------|
| 150-S-020-2-D02 | D | STONE GRAY |
| 150-S-020-2-C02 | C | DK GRAY |
| 150-S-020-2-B02 | B | LT GRAY |
| 150-S-020-2-A02 | A | BLACK |
| P/N | OPTION | MATING CONNECTOR COLOR |

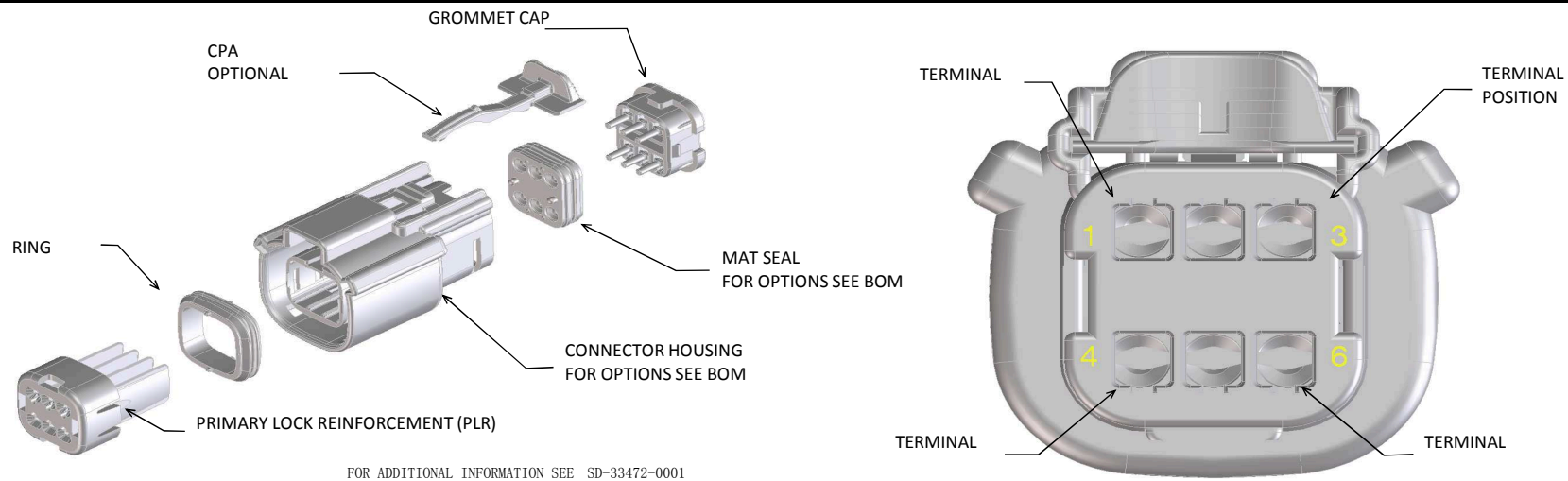
DETAIL C SCALE 20:1 APPLIES 2X SEE KEYING OPTION VIEWS FOR POSITIONS

| | | | | | | |
|--|-----------------|--|---|---------------|--------------|------------------------|
| ENTER DESCRIPTION EC NO: UA02017-0214 DRAWING NO: 2016/09/09 CHKD: APPR:KDEKOSKI REV: 2016/09/14 | QUALITY SYMBOLS | GENERAL TOLERANCES (UNLESS SPECIFIED) | DIMENSION STYLE | SCALE | DESIGN UNITS | THIRD ANGLE PROJECTION |
| | ▽=0 | 4 PLACES ± --- ± --- | MM ONLY | 3:1 | METRIC | ☑ |
| | ▽=0 | 3 PLACES ± --- ± --- | INCH | | | |
| | ▽=0 | 2 PLACES ± 0.10 ± --- | | | | |
| | | 1 PLACE ± 0.2 ± --- | | | | |
| | | 0 PLACE ± --- ± --- | | | | |
| | | ANGULAR ± 1° | | | | |
| | | DRAFT WHERE APPLICABLE MUST REMAIN WITHIN DIMENSIONS | | | | |
| | | | DRAWN BY DATE | TITLE | | |
| | | | APPROFIT 2014/05/14 | | | |
| | | | CHECKED BY DATE | | | |
| | | | | | | |
| | | | APPROVED BY DATE | | | |
| | | | VKOSHY 2014/06/27 | | | |
| | | | MATERIAL NO. | DOCUMENT NO. | | |
| | | | SEE NOTE 2a. | SD-33472-0001 | | |
| | | | THIS DRAWING CONTAINS INFORMATION THAT IS PROPRIETARY TO MOLEX INCORPORATED AND SHOULD NOT BE USED WITHOUT WRITTEN PERMISSION | | | |
| | | | | | SHEET NO. | |
| | | | | | 9 OF 9 | |

MX150 RECEPTACLE 2X2 SEALED ASSEMBLY MAT SEAL
BOM AND PIN OUT SHEET

| ASSEMBLY DESCRIPTION | ASSEMBLY PART NUMBER | COMPONENT | | | | | | BLOCKED TERMINALS | | | | | | | | | | STATUS | COMMENTS | OPTIONAL ATTACHMENTS SOLD SEPERATELY | | | | | |
|---|----------------------|---|-------------|-----|-----|----------|-----------|--|---|---|---|--|--|--|--|--|--|--------|----------|--------------------------------------|------------------------|--|--|--|--|
| | | THE PRESENCE OF AN ABBREVIATION INDICATES THE PRESENCE OF THAT COMPONENT. | | | | | | CAVITY WITH A NUMBER INDICATES BLOCKED TERMINAL POSITION CAVITY WITHOUT A NUMBER INDICATES OPEN TERMINAL POSITION | | | | | | | | | | | | BACKSHELL WITH RIBS | BACKSHELL WITHOUT RIBS | | | | |
| | | HOUSING KEY/COLOR | GROMMET CAP | PLR | CPA | MAT SEAL | RING SEAL | 1 | 2 | 3 | 4 | | | | | | | | | | | | | | |
| KEY A, BLACK, W/O CPA | 33472-4041 | A-BLK | GCP | PLR | | M | R | 1 | 2 | | | | | | | | | | | SALEABLE | | | | | |
| KEY C, DARK GRAY, W/O CPA | 33472-4042 | C-DG | GCO | PLR | | M | R | | | | | | | | | | | | | | SALEABLE | | | | |
| KEY D, STONE GRAY, W/O CPA | 33472-4043 | D-SG | GCO | PLR | | M | R | | | | | | | | | | | | | | SALEABLE | | | | |
| KEY C, DARK GRAY, W/CPA | 33472-4044 | C-DG | GCO | PLR | CPA | M | R | | | | | | | | | | | | | | SALEABLE | | | | |
| KEY D, STONE GRAY, W/CPA | 33472-4045 | D-SG | GCO | PLR | CPA | M | R | | | | | | | | | | | | | | SALEABLE | | | | |
| KEY C, DARK GRAY, W/O CPA | 33472-4046 | C-DG | GCP | PLR | | M | R | 1 | 2 | 3 | 4 | | | | | | | | | | SALEABLE | | | | |
| KEY D, STONE GRAY, W/O CPA | 33472-4047 | D-SG | GCP | PLR | | M | R | 1 | 2 | 3 | 4 | | | | | | | | | | SALEABLE | | | | |
| KEY A, BLACK, W/O CPA | 33472-4048 | A-BLK | GCP | PLR | | M | R | | 2 | | 4 | | | | | | | | | | SALEABLE | | | | |
| KEY A, BLACK, W/CPA | 33472-4049 | A-BLK | GCP | PLR | CPA | M | R | | 2 | | | | | | | | | | | | SALEABLE | | | | |
| KEY A, BLACK, W/CPA | 33472-4050 | A-BLK | GCP | PLR | CPA | M | R | | | 3 | | | | | | | | | | | SALEABLE | | | | |
| KEY A, BLACK, W/CPA | 33472-4051 | A-BLK | GCP | PLR | CPA | M | R | | | | 4 | | | | | | | | | | SALEABLE | | | | |
| KEY A, BLACK, W/O CPA | 33472-4052 | A-BLK | GCP | PLR | | M | R | | 2 | | 4 | | | | | | | | | | SALEABLE | | | | |
| KEY A, YELLOW, W/CPA | 33472-4053 | A-YW | GCO | PLR | CPA | M | R | | | | | | | | | | | | | | SALEABLE | | | | |
| KEY A, BLACK, W/O CPA | 33472-4054 | A-BLK | GCP | PLR | | M | R | 1 | | 3 | | | | | | | | | | | SALEABLE | | | | |
| KEY B, LIGHT GRAY, W/CPA | 33472-4055 | B-LG | GCP | PLR | CPA | M | R | 1 | | | | | | | | | | | | | SALEABLE | | | | |
| KEY A, BLACK, W/O CPA | 33472-4056 | A-BLK | GCP | PLR | | M | R | 1 | | | | | | | | | | | | | SALEABLE | | | | |
| KEY A, BLACK, WITH CLIPSLOT, W/O CPA | 33472-0501 | A-BLK-CLIP | GCO | PLR | | M | R | | | | | | | | | | | | | | DESIGN RELEASE | | | | |
| KEY B, LIGHT GRAY, WITH CLIPSLOT, W/O CPA | 33472-0502 | B-LG-CLIP | GCO | PLR | | M | R | | | | | | | | | | | | | | DESIGN RELEASE | | | | |
| KEY C, DARK GRAY, WITH CLIPSLOT, W/O CPA | 33472-0503 | C-DG-CLIP | GCO | PLR | | M | R | | | | | | | | | | | | | | DESIGN RELEASE | | | | |
| KEY D, STONE GRAY, WITH CLIPSLOT, W/O CPA | 33472-0504 | D-SG-CLIP | GCO | PLR | | M | R | | | | | | | | | | | | | | DESIGN RELEASE | | | | |
| KEY A, YELLOW, WITH CLIPSLOT, W/O CPA | 33472-0505 | A-YW-CLIP | GCO | PLR | | M | R | | | | | | | | | | | | | | DESIGN RELEASE | | | | |
| KEY A, BLACK, WITH CLIPSLOT, W/CPA | 33472-0506 | A-BLK-CLIP | GCO | PLR | CPA | M | R | | | | | | | | | | | | | | DESIGN RELEASE | | | | |
| KEY B, LIGHT GRAY, WITH CLIPSLOT, W/CPA | 33472-0507 | B-LG-CLIP | GCO | PLR | CPA | M | R | | | | | | | | | | | | | | DESIGN RELEASE | | | | |
| KEY C, DARK GRAY, WITH CLIPSLOT, W/CPA | 33472-0508 | C-DG-CLIP | GCO | PLR | CPA | M | R | | | | | | | | | | | | | | DESIGN RELEASE | | | | |
| KEY D, STONE GRAY, WITH CLIPSLOT, W/CPA | 33472-0509 | D-SG-CLIP | GCO | PLR | CPA | M | R | | | | | | | | | | | | | | DESIGN RELEASE | | | | |
| KEY A, YELLOW, WITH CLIPSLOT, W/CPA | 33472-0510 | A-YW-CLIP | GCO | PLR | CPA | M | R | | | | | | | | | | | | | | DESIGN RELEASE | | | | |

MX150 RECEPTACLE 2X3 SEALED ASSEMBLY MAT SEAL
BOM AND PIN OUT SHEET



FOR ADDITIONAL INFORMATION SEE SD-33472-0001

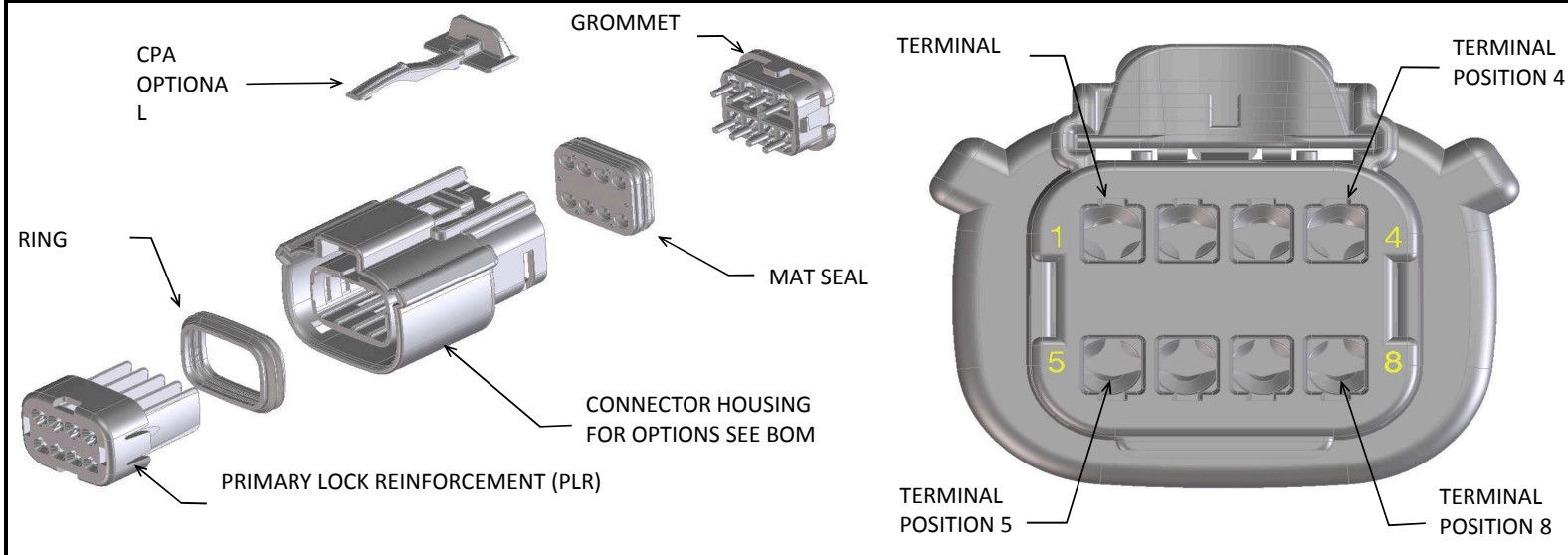
| ABBREVIATION | DESCRIPTION | COLOR | MATERIAL |
|--------------|--|------------|--------------------------------|
| A-BLK | HOUSING, KEYING OPTION A | BLACK | SPS/NYLON GF20 |
| B-LG | HOUSING, KEYING OPTION B | LIGHT GRAY | SPS/NYLON GF20 |
| C-BR | HOUSING, KEYING OPTION C | BROWN | SPS/NYLON GF20 |
| D-GR | HOUSING, KEYING OPTION D | GREEN | SPS/NYLON GF20 |
| C-DG | HOUSING, KEYING OPTION C | DARK GRAY | SPS/NYLON GF20 |
| D-SG | HOUSING, KEYING OPTION D | STONE GRAY | SPS/NYLON GF20 |
| A-YW | HOUSING, KEYING OPTION A | YELLOW | SPS/NYLON GF20 |
| A-BLK-CLIP | HOUSING, KEYING OPTION A WITH CLIPSLOT | BLACK | SPS/NYLON GF20 |
| B-LG-CLIP | HOUSING, KEYING OPTION B WITH CLIPSLOT | LIGHT GRAY | SPS/NYLON GF20 |
| C-BR-CLIP | HOUSING, KEYING OPTION C WITH CLIPSLOT | BROWN | SPS/NYLON GF20 |
| D-GR-CLIP | HOUSING, KEYING OPTION D WITH CLIPSLOT | GREEN | SPS/NYLON GF20 |
| C-DG-CLIP | HOUSING, KEYING OPTION C WITH CLIPSLOT | DARK GRAY | SPS/NYLON GF20 |
| D-SG-CLIP | HOUSING, KEYING OPTION D WITH CLIPSLOT | STONE GRAY | SPS/NYLON GF20 |
| A-SG-CLIP | HOUSING, KEYING OPTION A WITH CLIPSLOT | YELLOW | SPS/NYLON GF20 |
| GC | GROMMET CAP | BLACK | SPS/NYLON GF20 |
| PLR | PLR | NATURAL | SPS/NYLON GF20 |
| CPA | CPA | RED | PBT GF30 |
| M | MAT SEAL | LIGHT BLUE | INHERENTLY LUBRICATED SILICONE |
| R | RING SEAL | RUST RED | INHERENTLY LUBRICATED SILICONE |

| ASSEMBLY DESCRIPTION | ASSEMBLY PART NUMBER | COMPONENT | | | | | | | BLOCKED TERMINALS | | | | | | STATUS | COMMENTS | OPTIONAL ATTACHMENTS SOLD SEPARATELY | |
|--|----------------------|---|-------------|-----|-----|----------|-----------|---|--|---|---|---|---|---|-----------------|------------------------|--------------------------------------|------------------------|
| | | THE PRESENCE OF AN ABBREVIATION INDICATES THE PRESENCE OF THAT COMPONENT. | | | | | | | CAVITY WITH A NUMBER INDICATES BLOCKED TERMINAL POSITION CAVITY WITHOUT A NUMBER INDICATES OPEN TERMINAL POSITION | | | | | | | | BACKSHELL WITH RIBS | BACKSHELL WITHOUT RIBS |
| | | HOUSING KEY/COLOR | GROMMET CAP | PLR | CPA | MAT SEAL | RING SEAL | 1 | 2 | 3 | 4 | 5 | 6 | | | | | |
| KEY A, BLACK, W/O CPA | 33472-0601 | A-BLK | GC | PLR | | M | R | | | | | | | | SALEABLE | | 34951-0610 | 34951-0620 |
| KEY B, LIGHT GRAY, W/O CPA | 33472-0602 | B-LG | GC | PLR | | M | R | | | | | | | | SALEABLE | | 34951-0610 | 34951-0620 |
| KEY C, BROWN, W/O CPA | 33472-0603 | C-BR | GC | PLR | | M | R | | | | | | | | NOT RECOMMENDED | SEE P/N 33472-0669 | 34951-0610 | 34951-0620 |
| KEY D, GREEN, W/O CPA | 33472-0604 | D-GR | GC | PLR | | M | R | | | | | | | | NOT RECOMMENDED | SEE P/N 33472-0668 | 34951-0610 | 34951-0620 |
| VOID KEY | 33472-0605 | | | | | | | | | | | | | | | | | |
| KEY A, BLACK, W/CPA | 33472-0606 | A-BLK | GC | PLR | CPA | M | R | | | | | | | | SALEABLE | | 34951-0610 | 34951-0620 |
| KEY B, LIGHT GRAY, W/CPA | 33472-0607 | B-LG | GC | PLR | CPA | M | R | | | | | | | | SALEABLE | | 34951-0610 | 34951-0620 |
| KEY C, BROWN, W/CPA | 33472-0608 | C-BR | GC | PLR | CPA | M | R | | | | | | | | NOT RECOMMENDED | SEE P/N 33472-0670 | 34951-0610 | 34951-0620 |
| KEY D, GREEN, W/CPA | 33472-0609 | D-GR | GC | PLR | CPA | M | R | | | | | | | | NOT RECOMMENDED | SEE P/N 33472-0671 | 34951-0610 | 34951-0620 |
| VOID KEY | 33472-0610 | | | | | | | | | | | | | | | | | |
| KEY A, BLACK, W/O CPA | 33472-0611 | A-BLK | GC | PLR | | M | R | | | 3 | | | | | SALEABLE | SAME AS P/N 33472-0658 | 34951-0610 | 34951-0620 |
| KEY B, LIGHT GRAY, W/O CPA | 33472-0612 | B-LG | GC | PLR | | M | R | | | 3 | | | | | SALEABLE | | 34951-0610 | 34951-0620 |
| KEY C, BROWN, W/O CPA | 33472-0613 | C-BR | GC | PLR | | M | R | | | 3 | | | | | NOT RECOMMENDED | | 34951-0610 | 34951-0620 |
| KEY D, GREEN, W/O CPA | 33472-0614 | D-GR | GC | PLR | | M | R | | | 3 | | | | | NOT RECOMMENDED | | 34951-0610 | 34951-0620 |
| VOID KEY | 33472-0615 | | | | | | | | | | | | | | | | | |
| KEY A, BLACK, W/CPA | 33472-0616 | A-BLK | GC | PLR | CPA | M | R | | | 3 | | | | | SALEABLE | | 34951-0610 | 34951-0620 |
| KEY B, LIGHT GRAY, W/CPA | 33472-0617 | B-LG | GC | PLR | CPA | M | R | | | 3 | | | | | SALEABLE | | 34951-0610 | 34951-0620 |
| KEY C, BROWN, W/CPA | 33472-0618 | C-BR | GC | PLR | CPA | M | R | | | 3 | | | | | NOT RECOMMENDED | | 34951-0610 | 34951-0620 |
| KEY D, GREEN, W/CPA | 33472-0619 | D-GR | GC | PLR | CPA | M | R | | | 3 | | | | | NOT RECOMMENDED | | 34951-0610 | 34951-0620 |
| VOID KEY | 33472-0620 | | | | | | | | | | | | | | | | | |
| KEY A, BLACK, W/O CPA | 33472-0621 | A-BLK | GC | PLR | | M | R | | | 3 | 4 | | | | SALEABLE | | 34951-0610 | 34951-0620 |
| KEY B, LIGHT GRAY, W/O CPA | 33472-0622 | B-LG | GC | PLR | | M | R | | | 3 | 4 | | | | SALEABLE | | 34951-0610 | 34951-0620 |
| KEY C, BROWN, W/O CPA | 33472-0623 | C-BR | GC | PLR | | M | R | | | 3 | 4 | | | | NOT RECOMMENDED | | 34951-0610 | 34951-0620 |
| KEY D, GREEN, W/O CPA | 33472-0624 | D-GR | GC | PLR | | M | R | | | 3 | 4 | | | | NOT RECOMMENDED | | 34951-0610 | 34951-0620 |
| VOID KEY | 33472-0625 | | | | | | | | | | | | | | | | | |
| KEY A, BLACK, W/CPA | 33472-0626 | A-BLK | GC | PLR | CPA | M | R | | | 3 | 4 | | | | SALEABLE | | 34951-0610 | 34951-0620 |
| KEY B, LIGHT GRAY, W/CPA | 33472-0627 | B-LG | GC | PLR | CPA | M | R | | | 3 | 4 | | | | SALEABLE | | 34951-0610 | 34951-0620 |
| KEY C, BROWN, W/CPA | 33472-0628 | C-BR | GC | PLR | CPA | M | R | | | 3 | 4 | | | | NOT RECOMMENDED | | 34951-0610 | 34951-0620 |
| KEY D, GREEN, W/CPA | 33472-0629 | D-GR | GC | PLR | CPA | M | R | | | 3 | 4 | | | | NOT RECOMMENDED | | 34951-0610 | 34951-0620 |
| VOID KEY | 33472-0630 | | | | | | | | | | | | | | | | | |
| KEY A, BLACK, W/O CPA, W/O MAT SEAL | 33472-0631 | A-BLK | GC | PLR | | | R | | | | | | | | NOT VALIDATED | | 34951-0610 | 34951-0620 |
| KEY B, LIGHT GRAY, W/O CPA, W/O MAT SEAL | 33472-0632 | B-LG | GC | PLR | | | R | | | | | | | | NOT VALIDATED | | 34951-0610 | 34951-0620 |
| KEY C, BROWN, W/O CPA, W/O MAT SEAL | 33472-0633 | C-BR | GC | PLR | | | R | | | | | | | | NOT RECOMMENDED | NOT VALIDATED | 34951-0610 | 34951-0620 |
| KEY D, GREEN, W/O CPA, W/O MAT SEAL | 33472-0634 | D-GR | GC | PLR | | | R | | | | | | | | NOT RECOMMENDED | NOT VALIDATED | 34951-0610 | 34951-0620 |
| VOID KEY | 33472-0635 | | | | | | | | | | | | | | | | | |
| KEY A, BLACK, W/O CPA | 33472-0636 | A-BLK | GC | PLR | | M | R | | 1 | 2 | 3 | 4 | 5 | 6 | SALEABLE | | 34951-0610 | 34951-0620 |
| KEY B, LIGHT GRAY, W/O CPA | 33472-0637 | B-LG | GC | PLR | | M | R | | 1 | 2 | 3 | 4 | 5 | 6 | SALEABLE | | 34951-0610 | 34951-0620 |
| KEY C, BROWN, W/O CPA | 33472-0638 | C-BR | GC | PLR | | M | R | | 1 | 2 | 3 | 4 | 5 | 6 | NOT RECOMMENDED | | 34951-0610 | 34951-0620 |
| KEY D, GREEN, W/O CPA | 33472-0639 | D-GR | GC | PLR | | M | R | | 1 | 2 | 3 | 4 | 5 | 6 | NOT RECOMMENDED | | 34951-0610 | 34951-0620 |
| VOID KEY | 33472-0640 | | | | | | | | | | | | | | | | | |
| KEY A, BLACK, W/O CPA | 33472-0641 | A-BLK | GC | PLR | | M | R | | | 2 | 3 | 4 | 5 | | SALEABLE | | 34951-0610 | 34951-0620 |
| KEY A, BLACK, W/O CPA | 33472-0642 | A-BLK | GC | PLR | | M | R | | | | 3 | 4 | | | SALEABLE | | 34951-0610 | 34951-0620 |
| KEY A, BLACK, W/CPA | 33472-0643 | A-BLK | GC | PLR | CPA | M | R | | 1 | | 3 | 4 | | | SALEABLE | | 34951-0610 | 34951-0620 |
| KEY B, LIGHT GRAY, W/CPA | 33472-0644 | B-LG | GC | PLR | CPA | M | R | | 1 | | 3 | 4 | | | SALEABLE | | 34951-0610 | 34951-0620 |
| KEY C, BROWN, W/CPA | 33472-0645 | C-BR | GC | PLR | CPA | M | R | | 1 | | 3 | 4 | | | NOT RECOMMENDED | | 34951-0610 | 34951-0620 |
| KEY D, GREEN, W/CPA | 33472-0646 | D-GR | GC | PLR | CPA | M | R | | 1 | | 3 | 4 | | | NOT RECOMMENDED | | 34951-0610 | 34951-0620 |
| VOID KEY | 33472-0647 | | | | | | | | | | | | | | | | | |
| KEY A, BLACK, W/O CPA | 33472-0648 | A-BLK | GC | PLR | | M | R | | 1 | | 3 | 4 | | 6 | SALEABLE | | 34951-0610 | 34951-0620 |
| KEY B, LIGHT GRAY, W/O CPA | 33472-0649 | B-LG | GC | PLR | | M | R | | 1 | | 3 | 4 | | 6 | SALEABLE | | 34951-0610 | 34951-0620 |
| KEY C, BROWN, W/O CPA | 33472-0650 | C-BR | GC | PLR | | M | R | | 1 | | 3 | 4 | | 6 | NOT RECOMMENDED | | 34951-0610 | 34951-0620 |
| KEY D, GREEN, W/O CPA | 33472-0651 | D-GR | GC | PLR | | M | R | | 1 | | 3 | 4 | | 6 | NOT RECOMMENDED | | 34951-0610 | 34951-0620 |
| VOID KEY | 33472-0652 | | | | | | | | | | | | | | | | | |
| KEY A, BLACK, W/CPA | 33472-0653 | A-BLK | GC | PLR | CPA | M | R | | 1 | | 3 | 4 | | 6 | SALEABLE | | 34951-0610 | 34951-0620 |
| KEY B, LIGHT GRAY, W/CPA | 33472-0654 | B-LG | GC | PLR | CPA | M | R | | 1 | | 3 | 4 | | 6 | SALEABLE | | 34951-0610 | 34951-0620 |
| KEY C, BROWN, W/CPA | 33472-0655 | C-BR | GC | PLR | CPA | M | R | | 1 | | 3 | 4 | | 6 | NOT RECOMMENDED | | 34951-0610 | 34951-0620 |
| KEY D, GREEN, W/CPA | 33472-0656 | D-GR | GC | PLR | CPA | M | R | | 1 | | 3 | 4 | | 6 | NOT RECOMMENDED | | 34951-0610 | 34951-0620 |
| VOID KEY | 33472-0657 | | | | | | | | | | | | | | | | | |
| KEY A, BLACK, W/O CPA | 33472-0658 | A-BLK | GC | PLR | | M | R | | | | 3 | | | | SALEABLE | | 34951-0610 | 34951-0620 |

MX150 RECEPTACLE 2X3 SEALED ASSEMBLY MAT SEAL
BOM AND PIN OUT SHEET

| ASSEMBLY DESCRIPTION | ASSEMBLY PART NUMBER | COMPONENT | | | | | | BLOCKED TERMINALS | | | | | | STATUS | COMMENTS | OPTIONAL ATTACHMENTS SOLD SEPERATELY | | |
|---|----------------------|---|-------------|-----|-----|----------|-----------|--|---|---|---|---|---|--------|------------------------------------|--------------------------------------|------------------------|------------|
| | | THE PRESENCE OF AN ABBREVIATION INDICATES THE PRESENCE OF THAT COMPONENT. | | | | | | CAVITY WITH A NUMBER INDICATES BLOCKED TERMINAL POSITION CAVITY WITHOUT A NUMBER INDICATES OPEN TERMINAL POSITION | | | | | | | | BACKSHELL WITH RIBS | BACKSHELL WITHOUT RIBS | |
| | | HOUSING KEY/COLOR | GROMMET CAP | PLR | CPA | MAT SEAL | RING SEAL | 1 | 2 | 3 | 4 | 5 | 6 | | | | | |
| KEY A, BLACK, W/O CPA | 33472-0659 | A-BLK | GC | PLR | | M | R | | | 3 | | | 5 | 6 | SALEABLE | | 34951-0610 | 34951-0620 |
| KEY A, BLACK, W/CPA | 33472-0660 | A-BLK | GC | PLR | CPA | M | R | 1 | | 3 | 4 | | 5 | 6 | SALEABLE | | 34951-0610 | 34951-0620 |
| KEY A, BLACK, W/O CPA | 33472-0661 | A-BLK | GC | PLR | | M | R | | 2 | | | | | | SALEABLE | | 34951-0610 | 34951-0620 |
| KEY A, BLACK, W/O CPA | 33472-0662 | A-BLK | GC | PLR | | M | R | | 2 | | | | 5 | | SALEABLE | | 34951-0610 | 34951-0620 |
| KEY A, BLACK, W/O CPA | 33472-0663 | A-BLK | GC | PLR | | M | R | | | | | | 5 | 6 | SALEABLE | | 34951-0610 | 34951-0620 |
| KEY A, BLACK, W/O CPA | 33472-0664 | A-BLK | GC | PLR | | M | R | | | | 4 | | 5 | 6 | SALEABLE | | 34951-0610 | 34951-0620 |
| KEY A, BLACK, W/O CPA | 33472-0665 | A-BLK | GC | PLR | | M | R | 1 | | | | | | | SALEABLE | | 34951-0610 | 34951-0620 |
| KEY A, BLACK, W/O CPA | 33472-0666 | A-BLK | GC | PLR | | M | R | | 2 | | | | 5 | 6 | SALEABLE | | 34951-0610 | 34951-0620 |
| KEY A, BLACK, W/O CPA | 33472-0667 | A-BLK | GC | PLR | | M | R | 1 | | 3 | | | 5 | 6 | SALEABLE | | 34951-0610 | 34951-0620 |
| KEY C, DARK GRAY, W/O CPA | 33472-0668 | C-DG | GC | PLR | | M | R | | | | | | | | SALEABLE | | 34951-0610 | 34951-0620 |
| KEY D, STONE GRAY, W/O CPA | 33472-0669 | D-SG | GC | PLR | | M | R | | | | | | | | SALEABLE | | 34951-0610 | 34951-0620 |
| KEY C, DARK GRAY, W/CPA | 33472-0670 | C-DG | GC | PLR | CPA | M | R | | | | | | | | SALEABLE | | 34951-0610 | 34951-0620 |
| KEY D, STONE GRAY, W/CPA | 33472-0671 | D-SG | GC | PLR | CPA | M | R | | | | | | | | SALEABLE | | 34951-0610 | 34951-0620 |
| KEY B, LIGHT GRAY, W/O CPA | 33472-0672 | B-LG | GC | PLR | | M | R | | | | | | 5 | | SALEABLE | | 34951-0610 | 34951-0620 |
| KEY A, BLACK, W/O CPA | 33472-0673 | A-BLK | GC | PLR | | M | R | | | | | | | 6 | SALEABLE | | 34951-0610 | 34951-0620 |
| KEY A, BLACK, W/CPA | 33472-0674 | A-BLK | GC | PLR | CPA | M | R | | | | | | 5 | 6 | SALEABLE | | 34951-0610 | 34951-0620 |
| KEY A, BLACK, W/CPA | 33472-0675 | A-BLK | GC | PLR | CPA | M | R | | | | | | | 6 | SALEABLE | | 34951-0610 | 34951-0620 |
| KEY B, LIGHT GRAY, W/CPA | 33472-0676 | B-LG | GC | PLR | CPA | M | R | 1 | | | | | 5 | | SALEABLE | | 34951-0610 | 34951-0620 |
| KEY B, LIGHT GRAY, W/O CPA | 33472-0677 | B-LG | GC | PLR | | M | R | 1 | | | | | 5 | | SALEABLE | | 34951-0610 | 34951-0620 |
| KEY B, LIGHT GRAY, W/O CPA | 33472-0678 | B-LG | GC | PLR | | M | R | | | | | | 5 | 6 | SALEABLE | | 34951-0610 | 34951-0620 |
| KEY A, BLACK, W/CPA | 33472-0679 | A-BLK | GC | PLR | CPA | M | R | 1 | 2 | 3 | | | | | SALEABLE | | 34951-0610 | 34951-0620 |
| KEY A, BLACK, W/O CPA | 33472-0680 | A-BLK | GC | PLR | | M | R | 1 | 2 | 3 | | | | | SALEABLE | | 34951-0610 | 34951-0620 |
| KEY A, BLACK, W/CPA | 33472-0681 | A-BLK | GC | PLR | CPA | M | R | | 2 | | | | | | SALEABLE | | 34951-0610 | 34951-0620 |
| KEY A, YELLOW, W/CPA | 33472-0682 | A-YW | GC | PLR | CPA | M | R | | | | | | | | SALEABLE | | 34951-0610 | 34951-0620 |
| KEY A, BLACK, W/O CPA | 33472-0683 | A-BLK | GC | PLR | | M | R | | | 3 | 4 | | 5 | 6 | SALEABLE | | 34951-0610 | 34951-0620 |
| KEY A, BLACK, W/CPA | 33472-0684 | A-BLK | GC | PLR | CPA | M | R | | | 3 | | | | | SALEABLE | | 34951-0610 | 34951-0620 |
| KEY B, LIGHT GRAY, W/CPA | 33472-0685 | B-LG | GC | PLR | CPA | M | R | 1 | 2 | 3 | 4 | | 5 | 6 | SALEABLE | | 34951-0610 | 34951-0620 |
| KEY B, LIGHT GRAY, W/CPA | 33472-0686 | B-LG | GC | PLR | CPA | M | R | | 2 | 3 | | | | | SALEABLE | | 34951-0610 | 34951-0620 |
| KEY A, BLACK, W/O CPA | 33472-0687 | A-BLK | GC | PLR | | M | R | 1 | | 3 | 4 | | | | SALEABLE | | 34951-0610 | 34951-0620 |
| KEY A, BLACK, W/CPA | 33472-0688 | A-BLK | GC | PLR | CPA | M | R | | | 4 | | | 5 | 6 | SALEABLE | | 34951-0610 | 34951-0620 |
| KEY A, BLACK, W/CPA | 33472-0689 | A-BLK | GC | PLR | CPA | M | R | | | 4 | | | | | SALEABLE | | 34951-0610 | 34951-0620 |
| KEY B, LIGHT GRAY, W/CPA | 33472-0690 | B-LG | GC | PLR | CPA | M | R | | | 4 | | | | | SALEABLE | | 34951-0610 | 34951-0620 |
| KEY A, BLACK, W/CPA | 33472-0691 | A-BLK | GC | PLR | CPA | M | R | 1 | | 3 | | | 5 | | SALEABLE | | 34951-0610 | 34951-0620 |
| KEY A, BLACK, W/CPA | 33472-0692 | A-BLK | GC | PLR | CPA | M | R | | 2 | | 4 | | | 6 | SALEABLE | | 34951-0610 | 34951-0620 |
| KEY A, BLACK, WITH CLIPSLOT, W/O CPA | 33472-0701 | A-BLK-CLIP | GC | PLR | | M | R | | | | | | | | SALEABLE | | | |
| KEY B, LIGHT GRAY, WITH CLIPSLOT, W/O CPA | 33472-0702 | B-LG-CLIP | GC | PLR | | M | R | | | | | | | | SALEABLE | | | |
| KEY C, BROWN, WITH CLIPSLOT, W/O CPA | 33472-0703 | C-BR-CLIP | GC | PLR | | M | R | | | | | | | | NOT RECOMMENDED—SEE P/N 33472-0714 | | | |
| KEY D, GREEN, WITH CLIPSLOT, W/O CPA | 33472-0704 | D-GR-CLIP | GC | PLR | | M | R | | | | | | | | NOT RECOMMENDED—SEE P/N 33472-0715 | | | |
| KEY A, BLACK, WITH CLIPSLOT, W/CPA | 33472-0705 | A-BLK-CLIP | GC | PLR | CPA | M | R | | | | | | | | SALEABLE | | | |
| KEY B, LIGHT GRAY, WITH CLIPSLOT, W/CPA | 33472-0706 | B-LG-CLIP | GC | PLR | CPA | M | R | | | | | | | | SALEABLE | | | |
| KEY C, BROWN, WITH CLIPSLOT, W/CPA | 33472-0707 | C-BR-CLIP | GC | PLR | CPA | M | R | | | | | | | | NOT RECOMMENDED—SEE P/N 33472-0716 | | | |
| KEY D, GREEN, WITH CLIPSLOT, W/CPA | 33472-0708 | D-GR-CLIP | GC | PLR | CPA | M | R | | | | | | | | NOT RECOMMENDED—SEE P/N 33472-0717 | | | |
| KEY A, BLACK, WITH CLIPSLOT, W/O CPA | 33472-0709 | A-BLK-CLIP | GC | PLR | | M | R | | | 3 | | | | | SALEABLE | | | |
| KEY A, BLACK, WITH CLIPSLOT, W/O CPA | 33472-0710 | A-BLK-CLIP | GC | PLR | | M | R | | 2 | 3 | 4 | | 5 | | SALEABLE | | | |
| KEY A, BLACK, WITH CLIPSLOT, W/O CPA | 33472-0711 | A-BLK-CLIP | GC | PLR | | M | R | | | | | | 5 | 6 | SALEABLE | | | |
| KEY A, BLACK, WITH CLIPSLOT, W/O CPA | 33472-0712 | A-BLK-CLIP | GC | PLR | | M | R | | | 3 | 4 | | | | SALEABLE | | | |
| KEY B, LIGHT GRAY, WITH CLIPSLOT, W/O CPA | 33472-0713 | B-LG-CLIP | GC | PLR | | M | R | 1 | | | | | 5 | | SALEABLE | | | |
| KEY C, DARK GRAY, WITH CLIPSLOT, W/O CPA | 33472-0714 | C-DG-CLIP | GC | PLR | | M | R | | | | | | | | SALEABLE | | | |
| KEY D, STONE GRAY, WITH CLIPSLOT, W/O CPA | 33472-0715 | D-SG-CLIP | GC | PLR | | M | R | | | | | | | | SALEABLE | | | |
| KEY C, DARK GRAY, WITH CLIPSLOT, W/CPA | 33472-0716 | C-DG-CLIP | GC | PLR | CPA | M | R | | | | | | | | SALEABLE | | | |
| KEY D, STONE GRAY, WITH CLIPSLOT, W/CPA | 33472-0717 | D-SG-CLIP | GC | PLR | CPA | M | R | | | | | | | | SALEABLE | | | |
| KEY A, BLACK, WITH CLIPSLOT, W/O CPA | 33472-0718 | A-BLK-CLIP | GC | PLR | | M | R | | | 3 | | | | 6 | SALEABLE | | | |
| KEY B, LIGHT GRAY, WITH CLIPSLOT, W/CPA | 33472-0719 | B-LG-CLIP | GC | PLR | CPA | M | R | 1 | | | | | 5 | | SALEABLE | | | |
| KEY B, LIGHT GRAY, WITH CLIPSLOT, W/O CPA | 33472-0720 | B-LG-CLIP | GC | PLR | | M | R | | | | | | 5 | | SALEABLE | | | |
| KEY C, DARK GRAY, WITH CLIPSLOT, W/O CPA | 33472-0721 | C-DG-CLIP | GC | PLR | | M | R | | | 3 | | | | | SALEABLE | | | |
| KEY A, BLACK, WITH CLIPSLOT, W/O CPA | 33472-0722 | A-BLK-CLIP | GC | PLR | | M | R | | | 4 | | | 5 | 6 | SALEABLE | | | |
| KEY A, BLACK, WITH CLIPSLOT, W/O CPA | 33472-0723 | A-BLK-CLIP | GC | PLR | | M | R | | 2 | 3 | | | 5 | 6 | SALEABLE | | | |
| KEY A, BLACK, WITH CLIPSLOT, W/O CPA | 33472-0724 | A-BLK-CLIP | GC | PLR | | M | R | | 2 | | | | | 6 | SALEABLE | | | |
| KEY A, BLACK, WITH CLIPSLOT, W/O CPA | 33472-0725 | A-BLK-CLIP | GC | PLR | | M | R | | | 3 | | | 5 | 6 | SALEABLE | | | |
| KEY A, BLACK, WITH CLIPSLOT, W/O CPA | 33472-0726 | A-BLK-CLIP | GC | PLR | | M | R | | | | | | | 6 | SALEABLE | | | |
| KEY A, BLACK, WITH CLIPSLOT, W/O CPA | 33472-0727 | A-BLK-CLIP | GC | PLR | | M | R | | | | | | | 6 | SALEABLE | | | |
| KEY A, BLACK, WITH CLIPSLOT, W/O CPA | 33472-0728 | A-BLK-CLIP | GC | PLR | | M | R | 1 | 2 | 3 | 4 | | 5 | 6 | SALEABLE | | | |
| KEY A, BLACK, WITH CLIPSLOT, W/O CPA | 33472-0729 | A-BLK-CLIP | GC | PLR | | M | R | 1 | 2 | 3 | 4 | | 5 | 6 | SALEABLE | | | |
| KEY A, BLACK, WITH CLIPSLOT, W/O CPA | 33472-0730 | A-BLK-CLIP | GC | PLR | | M | R | | | | 4 | | | | SALEABLE | | | |
| KEY A, BLACK, WITH CLIPSLOT, W/O CPA | 33472-0731 | A-BLK-CLIP | GC | PLR | | M | R | | | | 4 | | | 6 | SALEABLE | | | |
| KEY B, LIGHT GRAY, WITH CLIPSLOT, W/O CPA | 33472-0732 | B-LG-CLIP | GC | PLR | | M | R | | | | 4 | | | 6 | SALEABLE | | | |
| KEY A, BLACK, W/CPA | 33472-0733 | A-BLK | GC | PLR | CPA | M | R | | 2 | | | | 5 | | SALEABLE | | 34951-0610 | 34951-0620 |
| KEY A, BLACK, WITH CLIPSLOT, W/O CPA | 33472-0734 | A-BLK-CLIP | GC | PLR | | M | R | | | | | | 5 | | SALEABLE | | | |
| KEY A, BLACK, W/O CPA | 33472-0735 | A-BLK | GC | PLR | | M | R | | | | | | 5 | | SALEABLE | | | |
| KEY B, LIGHT GRAY, W/O CPA | 33472-0736 | B-LG | GC | PLR | | M | R | | | | 4 | | 5 | 6 | SALEABLE | | | |
| KEY A, BLACK, W/CPA | 33472-0737 | A-BLK | GC | PLR | CPA | M | R | 1 | | | | | | | SALEABLE | | | |
| KEY B, LIGHT GRAY, W/CPA | 33472-0738 | B-LG | GC | PLR | CPA | M | R | 1 | | | | | | | SALEABLE | | | |
| KEY A, BLACK, WITH CLIPSLOT, W/CPA | 33472-0739 | A-BLK-CLIP | GC | PLR | CPA | M | R | 1 | | 2 | | | 5 | 6 | SALEABLE | | | |
| KEY A, BLACK, WITH CLIPSLOT, W/CPA | 33472-0740 | A-BLK-CLIP | GC | PLR | CPA | M | R | | 2 | 3 | 4 | | 5 | | SALEABLE | | | |
| KEY A, BLACK, W/O CPA | 33472-0741 | A-BLK | GC | PLR | | M | R | | | 3 | | | | 6 | SALEABLE | | | |
| KEY A, BLACK, W/O CPA | 33472-0742 | A-BLK | GC | PLR | | M | R | 1 | | | | | 5 | 6 | SALEABLE | | | |
| KEY B, LIGHT GRAY, W/O CPA | 33472-0743 | B-LG | GC | PLR | | M | R | 1 | | | | | 5 | 6 | SALEABLE | | | |
| KEY A, BLACK, WITH CLIPSLOT, W/CPA | 33472-0744 | A-BLK-CLIP | GC | PLR | CPA | M | R | | | 3 | | | | | SALEABLE | | | |
| KEY A, BLACK, WITH CLIPSLOT, W/O CPA | 33472-0745 | A-BLK-CLIP | GC | PLR | | M | R | 1 | | | 4 | | | | SALEABLE | | | |

MX150 RECEPTACLE 2X4 SEALED ASSEMBLY MAT SEAL
BOM AND PIN OUT SHEET



| ABBREVIATION | DESCRIPTION | COLOR | MATERIAL |
|--------------|--|------------|--------------------------------|
| A-BLK | HOUSING, KEYING OPTION A | BLACK | SPS/NYLON GF20 |
| B-LG | HOUSING, KEYING OPTION B | LIGHT GRAY | SPS/NYLON GF20 |
| C-BR | HOUSING, KEYING OPTION C | BROWN | SPS/NYLON GF20 |
| D-GR | HOUSING, KEYING OPTION D | GREEN | SPS/NYLON GF20 |
| C-DG | HOUSING, KEYING OPTION C | DARK GRAY | SPS/NYLON GF20 |
| D-SG | HOUSING, KEYING OPTION D | STONE GRAY | SPS/NYLON GF20 |
| D-BLK | HOUSING, KEYING OPTION D | BLACK | SPS/NYLON GF20 |
| A-YW | HOUSING, KEYING OPTION A | YELLOW | SPS/NYLON GF20 |
| A-BLK-CLIP | HOUSING, KEYING OPTION A WITH CLIPSLOT | BLACK | SPS/NYLON GF20 |
| B-LG-CLIP | HOUSING, KEYING OPTION B WITH CLIPSLOT | LIGHT GRAY | SPS/NYLON GF20 |
| C-BR-CLIP | HOUSING, KEYING OPTION C WITH CLIPSLOT | BROWN | SPS/NYLON GF20 |
| D-GR-CLIP | HOUSING, KEYING OPTION D WITH CLIPSLOT | GREEN | SPS/NYLON GF20 |
| C-DG-CLIP | HOUSING, KEYING OPTION C WITH CLIPSLOT | DARK GRAY | SPS/NYLON GF20 |
| D-SG-CLIP | HOUSING, KEYING OPTION D WITH CLIPSLOT | STONE GRAY | SPS/NYLON GF20 |
| D-BLK-CLIP | HOUSING, KEYING OPTION D WITH CLIPSLOT | BLACK | SPS/NYLON GF20 |
| GCO | GROMMET CAP (OPEN) | BLACK | SPS/NYLON GF20 |
| GCP | GROMMET CAP (PLUGGED) | BLACK | SPS/NYLON GF20 |
| PLR | PLR | NATURAL | SPS/NYLON GF20 |
| CPA | CPA | RED | PBT GF30 |
| M | MAT SEAL | LIGHT BLUE | INHERENTLY LUBRICATED SILICONE |
| RG | RING SEAL | GREEN | INHERENTLY LUBRICATED SILICONE |
| RR | RING SEAL | RUST RED | INHERENTLY LUBRICATED SILICONE |

FOR ADDITIONAL INFORMATION SEE SD-33472-0001

| ASSEMBLY DESCRIPTION | ASSEMBLY PART NUMBER | COMPONENT | | | | | | BLOCKED TERMINALS | | | | | | | | STATUS | COMMENTS | OPTIONAL ATTACHMENTS SOLD SEPERATELY | | |
|----------------------------|----------------------|---|-------------|-----|-----|----------|-----------|-------------------|--|---|---|---|---|---|---|--------|----------------------|--------------------------------------|------------------------|------------|
| | | THE PRESENCE OF AN ABBREVIATION INDICATES THE PRESENCE OF THAT COMPONENT. | | | | | | | CAVITY WITH A NUMBER INDICATES BLOCKED TERMINAL POSITION CAVITY WITHOUT A NUMBER INDICATES OPEN TERMINAL POSITION | | | | | | | | | BACKSHELL WITH RIBS | BACKSHELL WITHOUT RIBS | |
| | | HOUSING KEY/COLOR | GROMMET CAP | PLR | CPA | MAT SEAL | RING SEAL | 1 | 2 | 3 | 4 | 5 | 6 | 7 | 8 | | | | | |
| KEY A, BLACK, W/O CPA | 33472-0801 | A-BLK | GCO | PLR | | M | RG | | | | | | | | | | PLANNED OBSOLESCENCE | | 34951-0810 | 34951-0820 |
| KEY B, LIGHT GRAY, W/O CPA | 33472-0802 | B-LG | GCO | PLR | | M | RG | | | | | | | | | | PLANNED OBSOLESCENCE | | 34951-0810 | 34951-0820 |
| KEY C, BROWN, W/O CPA | 33472-0803 | C-BR | GCO | PLR | | M | RG | | | | | | | | | | PLANNED OBSOLESCENCE | SEE P/N 33472-0879 | 34951-0810 | 34951-0820 |
| KEY D, GREEN, W/O CPA | 33472-0804 | D-GR | GCO | PLR | | M | RG | | | | | | | | | | PLANNED OBSOLESCENCE | SEE P/N 33472-0880 | 34951-0810 | 34951-0820 |
| KEY D, BLACK, W/O CPA | 33472-0805 | D-BLK | GCO | PLR | | M | RG | | | | | | | | | | PLANNED OBSOLESCENCE | | 34951-0810 | 34951-0820 |
| KEY A, BLACK, W/CPA | 33472-0806 | A-BLK | GCO | PLR | CPA | M | RG | | | | | | | | | | PLANNED OBSOLESCENCE | | 34951-0810 | 34951-0820 |
| KEY B, LIGHT GRAY, W/CPA | 33472-0807 | B-LG | GCO | PLR | CPA | M | RG | | | | | | | | | | PLANNED OBSOLESCENCE | | 34951-0810 | 34951-0820 |
| KEY C, BROWN, W/CPA | 33472-0808 | C-BR | GCO | PLR | CPA | M | RG | | | | | | | | | | PLANNED OBSOLESCENCE | SEE P/N 33472-0881 | 34951-0810 | 34951-0820 |
| KEY D, GREEN, W/CPA | 33472-0809 | D-GR | GCO | PLR | CPA | M | RG | | | | | | | | | | PLANNED OBSOLESCENCE | SEE P/N 33472-0882 | 34951-0810 | 34951-0820 |
| VOID KEY | 33472-0810 | | | | | | | | | | | | | | | | | | | |
| KEY A, BLACK, W/O CPA | 33472-0811 | A-BLK | GCP | PLR | | M | RG | | | | 4 | | | | | | PLANNED OBSOLESCENCE | | 34951-0810 | 34951-0820 |
| KEY B, LIGHT GRAY, W/O CPA | 33472-0812 | B-LG | GCP | PLR | | M | RG | | | | 4 | | | | | | PLANNED OBSOLESCENCE | | 34951-0810 | 34951-0820 |
| KEY C, BROWN, W/O CPA | 33472-0813 | C-BR | GCP | PLR | | M | RG | | | | 4 | | | | | | PLANNED OBSOLESCENCE | | 34951-0810 | 34951-0820 |
| KEY D, GREEN, W/O CPA | 33472-0814 | D-GR | GCP | PLR | | M | RG | | | | 4 | | | | | | PLANNED OBSOLESCENCE | | 34951-0810 | 34951-0820 |
| VOID KEY | 33472-0815 | | | | | | | | | | | | | | | | | | | |
| KEY A, BLACK, W/CPA | 33472-0816 | A-BLK | GCP | PLR | CPA | M | RG | | | | 4 | | | | | | PLANNED OBSOLESCENCE | | 34951-0810 | 34951-0820 |
| KEY B, LIGHT GRAY, W/CPA | 33472-0817 | B-LG | GCP | PLR | CPA | M | RG | | | | 4 | | | | | | PLANNED OBSOLESCENCE | | 34951-0810 | 34951-0820 |
| KEY C, BROWN, W/CPA | 33472-0818 | C-BR | GCP | PLR | CPA | M | RG | | | | 4 | | | | | | PLANNED OBSOLESCENCE | | 34951-0810 | 34951-0820 |
| KEY D, GREEN, W/CPA | 33472-0819 | D-GR | GCP | PLR | CPA | M | RG | | | | 4 | | | | | | PLANNED OBSOLESCENCE | SEE P/N 33472-1009 | 34951-0810 | 34951-0820 |
| VOID KEY | 33472-0820 | | | | | | | | | | | | | | | | | | | |
| KEY A, BLACK, W/O CPA | 33472-0821 | A-BLK | GCP | PLR | | M | RG | | | | 4 | 5 | | | | | PLANNED OBSOLESCENCE | | 34951-0810 | 34951-0820 |
| KEY B, LIGHT GRAY, W/O CPA | 33472-0822 | B-LG | GCP | PLR | | M | RG | | | | 4 | 5 | | | | | PLANNED OBSOLESCENCE | | 34951-0810 | 34951-0820 |
| KEY C, BROWN, W/O CPA | 33472-0823 | C-BR | GCP | PLR | | M | RG | | | | 4 | 5 | | | | | PLANNED OBSOLESCENCE | | 34951-0810 | 34951-0820 |
| KEY D, GREEN, W/O CPA | 33472-0824 | D-GR | GCP | PLR | | M | RG | | | | 4 | 5 | | | | | PLANNED OBSOLESCENCE | | 34951-0810 | 34951-0820 |
| VOID KEY | 33472-0825 | | | | | | | | | | | | | | | | | | | |
| KEY A, BLACK, W/CPA | 33472-0826 | A-BLK | GCP | PLR | CPA | M | RG | | | | 4 | 5 | | | | | PLANNED OBSOLESCENCE | | 34951-0810 | 34951-0820 |
| KEY B, LIGHT GRAY, W/CPA | 33472-0827 | B-LG | GCP | PLR | CPA | M | RG | | | | 4 | 5 | | | | | PLANNED OBSOLESCENCE | | 34951-0810 | 34951-0820 |
| KEY C, BROWN, W/CPA | 33472-0828 | C-BR | GCP | PLR | CPA | M | RG | | | | 4 | 5 | | | | | PLANNED OBSOLESCENCE | | 34951-0810 | 34951-0820 |
| KEY D, GREEN, W/CPA | 33472-0829 | D-GR | GCP | PLR | CPA | M | RG | | | | 4 | 5 | | | | | PLANNED OBSOLESCENCE | SEE P/N 33472-1010 | 34951-0810 | 34951-0820 |
| VOID KEY | 33472-0830 | | | | | | | | | | | | | | | | | | | |
| KEY A, BLACK, W/O CPA | 33472-0831 | A-BLK | GCP | PLR | | M | RG | 1 | | | 4 | 5 | | | | | PLANNED OBSOLESCENCE | | 34951-0810 | 34951-0820 |
| KEY B, LIGHT GRAY, W/O CPA | 33472-0832 | B-LG | GCP | PLR | | M | RG | 1 | | | 4 | 5 | | | | | PLANNED OBSOLESCENCE | | 34951-0810 | 34951-0820 |
| KEY C, BROWN, W/O CPA | 33472-0833 | C-BR | GCP | PLR | | M | RG | 1 | | | 4 | 5 | | | | | PLANNED OBSOLESCENCE | | 34951-0810 | 34951-0820 |
| KEY D, GREEN, W/O CPA | 33472-0834 | D-GR | GCP | PLR | | M | RG | 1 | | | 4 | 5 | | | | | PLANNED OBSOLESCENCE | | 34951-0810 | 34951-0820 |
| VOID KEY | 33472-0835 | | | | | | | | | | | | | | | | | | | |
| KEY A, BLACK, W/CPA | 33472-0836 | A-BLK | GCP | PLR | CPA | M | RG | 1 | | | 4 | 5 | | | | | PLANNED OBSOLESCENCE | | 34951-0810 | 34951-0820 |
| KEY B, LIGHT GRAY, W/CPA | 33472-0837 | B-LG | GCP | PLR | CPA | M | RG | 1 | | | 4 | 5 | | | | | PLANNED OBSOLESCENCE | | 34951-0810 | 34951-0820 |
| KEY C, BROWN, W/CPA | 33472-0838 | C-BR | GCP | PLR | CPA | M | RG | 1 | | | 4 | 5 | | | | | PLANNED OBSOLESCENCE | | 34951-0810 | 34951-0820 |
| KEY D, GREEN, W/CPA | 33472-0839 | D-GR | GCP | PLR | CPA | M | RG | 1 | | | 4 | 5 | | | | | PLANNED OBSOLESCENCE | | 34951-0810 | 34951-0820 |
| VOID KEY | 33472-0840 | | | | | | | | | | | | | | | | | | | |
| KEY A, BLACK, W/O CPA | 33472-0841 | A-BLK | GCP | PLR | | M | RG | 1 | | | 4 | 5 | | | 8 | | PLANNED OBSOLESCENCE | | 34951-0810 | 34951-0820 |
| KEY B, LIGHT GRAY, W/O CPA | 33472-0842 | B-LG | GCP | PLR | | M | RG | 1 | | | 4 | 5 | | | 8 | | PLANNED OBSOLESCENCE | | 34951-0810 | 34951-0820 |
| KEY C, BROWN, W/O CPA | 33472-0843 | C-BR | GCP | PLR | | M | RG | 1 | | | 4 | 5 | | | 8 | | PLANNED OBSOLESCENCE | | 34951-0810 | 34951-0820 |
| KEY D, GREEN, W/O CPA | 33472-0844 | D-GR | GCP | PLR | | M | RG | 1 | | | 4 | 5 | | | 8 | | PLANNED OBSOLESCENCE | | 34951-0810 | 34951-0820 |

MX150 RECEPTACLE 2X4 SEALED ASSEMBLY MAT SEAL
BOM AND PIN OUT SHEET

| ASSEMBLY DESCRIPTION | ASSEMBLY PART NUMBER | COMPONENT | | | | | | BLOCKED TERMINALS | | | | | | | | STATUS | COMMENTS | OPTIONAL ATTACHMENTS SOLD SEPERATELY | | | |
|----------------------------|----------------------|---|-------------|-----|-----|----------|-----------|--|---|---|---|---|---|---|---|--------|----------|--------------------------------------|------------------------|------------|------------|
| | | THE PRESENCE OF AN ABBREVIATION INDICATES THE PRESENCE OF THAT COMPONENT. | | | | | | CAVITY WITH A NUMBER INDICATES BLOCKED TERMINAL POSITION CAVITY WITHOUT A NUMBER INDICATES OPEN TERMINAL POSITION | | | | | | | | | | BACKSHELL WITH RIBS | BACKSHELL WITHOUT RIBS | | |
| | | HOUSING KEY/COLOR | GROMMET CAP | PLR | CPA | MAT SEAL | RING SEAL | 1 | 2 | 3 | 4 | 5 | 6 | 7 | 8 | | | | | | |
| VOID KEY | 33472-0845 | | | | | | | | | | | | | | | | | | | | |
| KEY A, BLACK, W/CPA | 33472-0846 | A-BLK | GCP | PLR | CPA | M | RG | 1 | | | | 4 | 5 | | | | 8 | PLANNED OBSOLESCENCE | | 34951-0810 | 34951-0820 |
| KEY B, LIGHT GRAY, W/CPA | 33472-0847 | B-LG | GCP | PLR | CPA | M | RG | 1 | | | | 4 | 5 | | | | 8 | PLANNED OBSOLESCENCE | | 34951-0810 | 34951-0820 |
| KEY C, BROWN, W/CPA | 33472-0848 | C-BR | GCP | PLR | CPA | M | RG | 1 | | | | 4 | 5 | | | | 8 | PLANNED OBSOLESCENCE | | 34951-0810 | 34951-0820 |
| KEY D, GREEN, W/CPA | 33472-0849 | D-GR | GCP | PLR | CPA | M | RG | 1 | | | | 4 | 5 | | | | 8 | PLANNED OBSOLESCENCE | | 34951-0810 | 34951-0820 |
| VOID KEY | 33472-0850 | | | | | | | | | | | | | | | | | | | | |
| KEY A, BLACK, W/O CPA | 33472-0851 | A-BLK | GCP | PLR | | M | RG | 1 | 2 | 3 | 4 | 5 | 6 | 7 | 8 | | | PLANNED OBSOLESCENCE | | 34951-0810 | 34951-0820 |
| KEY B, LIGHT GRAY, W/O CPA | 33472-0852 | B-LG | GCP | PLR | | M | RG | 1 | 2 | 3 | 4 | 5 | 6 | 7 | 8 | | | PLANNED OBSOLESCENCE | | 34951-0810 | 34951-0820 |
| KEY C, BROWN, W/O CPA | 33472-0853 | C-BR | GCP | PLR | | M | RG | 1 | 2 | 3 | 4 | 5 | 6 | 7 | 8 | | | PLANNED OBSOLESCENCE | | 34951-0810 | 34951-0820 |
| KEY D, GREEN, W/O CPA | 33472-0854 | D-GR | GCP | PLR | | M | RG | 1 | 2 | 3 | 4 | 5 | 6 | 7 | 8 | | | PLANNED OBSOLESCENCE | | 34951-0810 | 34951-0820 |
| KEY D, BLACK, W/O CPA | 33472-0855 | D-BLK | GCP | PLR | | M | RG | 1 | 2 | 3 | 4 | 5 | 6 | 7 | 8 | | | PLANNED OBSOLESCENCE | | 34951-0810 | 34951-0820 |
| KEY A, BLACK, W/CPA | 33472-0856 | A-BLK | GCP | PLR | CPA | M | RG | | 2 | | | | 6 | 7 | | | | PLANNED OBSOLESCENCE | | 34951-0810 | 34951-0820 |
| KEY A, BLACK, W/CPA | 33472-0857 | A-BLK | GCP | PLR | CPA | M | RG | 1 | 2 | | | 5 | 6 | 7 | | | | PLANNED OBSOLESCENCE | | 34951-0810 | 34951-0820 |
| KEY A, BLACK, W/CPA | 33472-0858 | A-BLK | GCP | PLR | CPA | M | RG | 1 | 2 | 3 | | 5 | 6 | 7 | | | | PLANNED OBSOLESCENCE | | 34951-0810 | 34951-0820 |
| KEY A, BLACK, W/O CPA | 33472-0859 | A-BLK | GCP | PLR | | M | RG | 1 | 2 | 3 | | | 6 | 7 | 8 | | | PLANNED OBSOLESCENCE | | 34951-0810 | 34951-0820 |
| KEY D, BLACK, W/O CPA | 33472-0860 | D-BLK | GCP | PLR | | M | RG | | | | 4 | | | | | | | PLANNED OBSOLESCENCE | | 34951-0810 | 34951-0820 |
| KEY A, BLACK, W/O CPA | 33472-0861 | A-BLK | GCP | PLR | | M | RG | | | | | | | | 8 | | | PLANNED OBSOLESCENCE | | 34951-0810 | 34951-0820 |
| KEY A, BLACK, W/O CPA | 33472-0862 | A-BLK | GCP | PLR | | M | RG | 1 | | | | | | | | | | PLANNED OBSOLESCENCE | | 34951-0810 | 34951-0820 |
| KEY A, BLACK, W/O CPA | 33472-0863 | A-BLK | GCP | PLR | | M | RG | | 2 | 3 | | 5 | | | 8 | | | PLANNED OBSOLESCENCE | | 34951-0810 | 34951-0820 |
| KEY A, BLACK, W/O CPA | 33472-0864 | A-BLK | GCP | PLR | | M | RG | 1 | | 3 | | 5 | | | | | | PLANNED OBSOLESCENCE | | 34951-0810 | 34951-0820 |
| KEY A, BLACK, W/O CPA | 33472-0865 | A-BLK | GCP | PLR | | M | RG | 1 | | | | | 6 | | | | | PLANNED OBSOLESCENCE | | 34951-0810 | 34951-0820 |
| KEY A, BLACK, W/O CPA | 33472-0866 | A-BLK | GCP | PLR | | M | RG | | 2 | 3 | | 5 | 6 | | 8 | | | PLANNED OBSOLESCENCE | | 34951-0810 | 34951-0820 |
| KEY A, BLACK, W/O CPA | 33472-0867 | A-BLK | GCP | PLR | | M | RG | 1 | | 3 | | 5 | 6 | | | | | PLANNED OBSOLESCENCE | | 34951-0810 | 34951-0820 |
| KEY A, BLACK, W/O CPA | 33472-0868 | A-BLK | GCP | PLR | | M | RG | | | | | 5 | 6 | | 8 | | | PLANNED OBSOLESCENCE | | 34951-0810 | 34951-0820 |
| KEY A, BLACK, W/O CPA | 33472-0869 | A-BLK | GCP | PLR | | M | RG | | | | | | 6 | | | | | PLANNED OBSOLESCENCE | | 34951-0810 | 34951-0820 |
| KEY A, BLACK, W/O CPA | 33472-0870 | A-BLK | GCP | PLR | | M | RG | 1 | | 3 | | 5 | 6 | 7 | 8 | | | PLANNED OBSOLESCENCE | | 34951-0810 | 34951-0820 |
| KEY A, BLACK, W/O CPA | 33472-0871 | A-BLK | GCP | PLR | | M | RG | | 2 | 3 | 4 | 5 | 6 | 7 | 8 | | | PLANNED OBSOLESCENCE | | 34951-0810 | 34951-0820 |
| KEY A, BLACK, W/O CPA | 33472-0872 | A-BLK | GCP | PLR | | M | RG | | | | | | | 7 | 8 | | | PLANNED OBSOLESCENCE | | 34951-0810 | 34951-0820 |
| KEY A, BLACK, W/O CPA | 33472-0873 | A-BLK | GCP | PLR | | M | RG | | 2 | 3 | | | 6 | 7 | 8 | | | PLANNED OBSOLESCENCE | | 34951-0810 | 34951-0820 |
| KEY A, BLACK, W/O CPA | 33472-0874 | A-BLK | GCP | PLR | | M | RG | | 2 | 3 | | | | | | | | PLANNED OBSOLESCENCE | | 34951-0810 | 34951-0820 |
| KEY A, BLACK, W/O CPA | 33472-0875 | A-BLK | GCP | PLR | | M | RG | 1 | | | 4 | | | | | | | PLANNED OBSOLESCENCE | | 34951-0810 | 34951-0820 |
| KEY A, BLACK, W/O CPA | 33472-0876 | A-BLK | GCP | PLR | | M | RG | | 2 | 3 | | 5 | 6 | 7 | 8 | | | PLANNED OBSOLESCENCE | | 34951-0810 | 34951-0820 |
| KEY A, BLACK, W/CPA | 33472-0877 | A-BLK | GCP | PLR | CPA | M | RG | | | | | | | | 8 | | | PLANNED OBSOLESCENCE | | 34951-0810 | 34951-0820 |
| KEY A, BLACK, W/O CPA | 33472-0878 | A-BLK | GCP | PLR | | M | RG | | | 3 | | 5 | 6 | | | | | PLANNED OBSOLESCENCE | | 34951-0810 | 34951-0820 |
| KEY C, DARK GRAY, W/O CPA | 33472-0879 | C-DG | GCO | PLR | | M | RG | | | | | | | | | | | PLANNED OBSOLESCENCE | | 34951-0810 | 34951-0820 |
| KEY D, STONE GRAY, W/O CPA | 33472-0880 | D-SG | GCO | PLR | | M | RG | | | | | | | | | | | PLANNED OBSOLESCENCE | | 34951-0810 | 34951-0820 |
| KEY C, DARK GRAY, W/CPA | 33472-0881 | C-DG | GCO | PLR | CPA | M | RG | | | | | | | | | | | PLANNED OBSOLESCENCE | | 34951-0810 | 34951-0820 |
| KEY D, STONE GRAY, W/CPA | 33472-0882 | D-SG | GCO | PLR | CPA | M | RG | | | | | | | | | | | PLANNED OBSOLESCENCE | | 34951-0810 | 34951-0820 |
| KEY A, BLACK, W/O CPA | 33472-0883 | A-BLK | GCP | PLR | | M | RG | | 2 | 3 | 4 | 5 | | 7 | 8 | | | PLANNED OBSOLESCENCE | | 34951-0810 | 34951-0820 |
| KEY A, BLACK, W/O CPA | 33472-0884 | A-BLK | GCP | PLR | | M | RG | | | | | | 6 | 7 | | | | PLANNED OBSOLESCENCE | | 34951-0810 | 34951-0820 |
| KEY A, BLACK, W/O CPA | 33472-0885 | A-BLK | GCP | PLR | | M | RG | | 2 | 3 | 4 | 5 | 6 | | 8 | | | PLANNED OBSOLESCENCE | | 34951-0810 | 34951-0820 |
| KEY A, BLACK, W/O CPA | 33472-0886 | A-BLK | GCP | PLR | | M | RG | | | 3 | | | 6 | | 8 | | | PLANNED OBSOLESCENCE | | 34951-0810 | 34951-0820 |
| KEY B, LIGHT GRAY, W/CPA | 33472-0887 | B-LG | GCP | PLR | CPA | M | RG | | | | | | | | 8 | | | PLANNED OBSOLESCENCE | | 34951-0810 | 34951-0820 |
| KEY B, LIGHT GRAY, W/O CPA | 33472-0888 | B-LG | GCP | PLR | | M | RG | 1 | | | | | 6 | | | | | PLANNED OBSOLESCENCE | | 34951-0810 | 34951-0820 |
| KEY A, BLACK, W/O CPA | 33472-0889 | A-BLK | GCP | PLR | | M | RG | 1 | | | | 5 | | | | | | PLANNED OBSOLESCENCE | | 34951-0810 | 34951-0820 |
| KEY A, YELLOW, W/CPA | 33472-0890 | A-YW | GCP | PLR | CPA | M | RG | | 2 | 3 | | | | | | | | PLANNED OBSOLESCENCE | | 34951-0810 | 34951-0820 |
| KEY A, YELLOW, W/CPA | 33472-0891 | A-YW | GCO | PLR | CPA | M | RG | | | | | | | | | | | PLANNED OBSOLESCENCE | | 34951-0810 | 34951-0820 |
| KEY A, YELLOW, W/O CPA | 33472-0892 | A-YW | GCO | PLR | | M | RG | | | | | | | | | | | PLANNED OBSOLESCENCE | | 34951-0810 | 34951-0820 |
| KEY A, BLACK, W/CPA | 33472-0893 | A-BLK | GCP | PLR | CPA | M | RG | | | | | | 6 | | | | | PLANNED OBSOLESCENCE | | 34951-0810 | 34951-0820 |
| KEY A, BLACK, W/CPA | 33472-0894 | A-BLK | GCP | PLR | CPA | M | RG | 1 | 2 | 3 | | | 6 | 7 | 8 | | | PLANNED OBSOLESCENCE | | 34951-0810 | 34951-0820 |
| KEY A, BLACK, W/O CPA | 33472-0895 | A-BLK | GCP | PLR | | M | RG | 1 | 2 | | | | | | | | | PLANNED OBSOLESCENCE | | 34951-0810 | 34951-0820 |
| KEY A, BLACK, W/O CPA | 33472-1001 | A-BLK | GCP | PLR | | M | RG | 1 | 2 | 3 | 4 | | | | | | | PLANNED OBSOLESCENCE | | 34951-0810 | 34951-0820 |
| KEY B, LIGHT GRAY, W/O CPA | 33472-1002 | B-LG | GCP | PLR | | M | RG | | | | | | 6 | | | | | PLANNED OBSOLESCENCE | | 34951-0810 | 34951-0820 |
| KEY A, BLACK, W/O CPA | 33472-1003 | A-BLK | GCP | PLR | | M | RG | 1 | | | 4 | | | | | | | PLANNED OBSOLESCENCE | | 34951-0810 | 34951-0820 |
| KEY A, BLACK, W/O CPA | 33472-1004 | A-BLK | GCP | PLR | | M | RG | | 2 | 3 | | 5 | 6 | 7 | 8 | | | PLANNED OBSOLESCENCE | | 34951-0810 | 34951-0820 |
| KEY A, BLACK, W/CPA | 33472-1005 | A-BLK | GCP | PLR | CPA | M | RG | | | | | | | | 8 | | | PLANNED OBSOLESCENCE | | 34951-0810 | 34951-0820 |
| KEY A, BLACK, W/O CPA | 33472-1006 | A-BLK | GCP | PLR | | M | RG | 1 | 2 | 3 | 4 | 5 | 6 | | | | | PLANNED OBSOLESCENCE | | 34951-0810 | 34951-0820 |
| KEY A, BLACK, W/CPA | 33472-1007 | A-BLK | GCP | PLR | CPA | M | RG | | | | | | 6 | 7 | | | | PLANNED OBSOLESCENCE | | 34951-0810 | 34951-0820 |
| KEY A, BLACK, W/CPA | 33472-1008 | A-BLK | GCP | PLR | CPA | M | RG | | | | | | | 7 | | | | PLANNED OBSOLESCENCE | | 34951-0810 | 34951-0820 |
| KEY D, STONE GRAY, W/CPA | 33472-1009 | D-SG | GCP | PLR | CPA | M | RG | | | | 4 | | | | | | | PLANNED OBSOLESCENCE | | 34951-0810 | 34951-0820 |
| KEY D, STONE GRAY, W/CPA | 33472-1010 | D-SG | GCP | PLR | CPA | M | RG | | | | 4 | 5 | | | | | | PLANNED OBSOLESCENCE | | 34951-0810 | 34951-0820 |
| KEY D, STONE GRAY, W/CPA | 33472-1011 | D-SG | GCP | PLR | CPA | M | RG | | | | 4 | 5 | 6 | | | | | PLANNED OBSOLESCENCE | | 34951-0810 | 34951-0820 |
| KEY A, BLACK, W/O CPA | 33472-1012 | A-BLK | GCP | PLR | | M | RG | | | | | | | 7 | 8 | | | PLANNED OBSOLESCENCE | | 34951-0810 | 34951-0820 |
| KEY A, BLACK, W/CPA | 33472-1013 | A-BLK | GCP | PLR | CPA | M | RG | | | 3 | 4 | 5 | 6 | 7 | 8 | | | PLANNED OBSOLESCENCE | | 34951-0810 | 34951-0820 |
| KEY A, BLACK, W/O CPA | 33472-1014 | A-BLK | GCP | PLR | | M | RG | | | 3 | 4 | 5 | 6 | 7 | 8 | | | PLANNED OBSOLESCENCE | | 34951-0810 | 34951-0820 |
| KEY A, BLACK, W/CPA | 33472-1015 | A-BLK | GCP | PLR | CPA | M | RG | | | | 4 | | | 7 | 8 | | | PLANNED OBSOLESCENCE | | 34951-0810 | 34951-0820 |
| KEY A, BLACK, W/O CPA | 33472-1016 | A-BLK | GCP | PLR | | M | RG | | | | | | 6 | 7 | 8 | | | PLANNED OBSOLESCENCE | | 34951-0810 | 34951-0820 |
| KEY A, BLACK, W/O CPA | 33472-1017 | A-BLK | GCP | PLR | | M | RG | 1 | | | 3 | 4 | | | 8 | | | PLANNED OBSOLESCENCE | | 34951-0810 | 34951-0820 |
| KEY A, BLACK, W/CPA | 33472-1018 | A-BLK | GCP | PLR | CPA | M | RG | | | | | 5 | 6 | 7 | 8 | | | PLANNED OBSOLESCENCE | | 34951-0810 | 34951-0820 |
| KEY A, BLACK, W/CPA | 33472-1019 | A-BLK | GCP | PLR | CPA | M | RG | | | | | | | 7 | 8 | | | PLANNED OBSOLESCENCE | | 34951-0810 | 34951-0820 |
| KEY A, BLACK, W/CPA | 33472-1020 | A-BLK | GCP | PLR | CPA | M | RG | | | 2 | 3 | 4 | 5 | 6 | 7 | 8 | | PLANNED OBSOLESCENCE | | 34951-0810 | 34951-0820 |
| KEY A, BLACK, W/CPA | 33472-1021 | A-BLK | GCP | PLR | CPA | M | RG | 1 | 2 | 3 | 4 | 5 | 6 | 7 | 8 | | | PLANNED OBSOLESCENCE | | 34951-0810 | 34951-0820 |
| KEY A, BLACK, W/CPA | 33472-1022 | A-BLK | GCP | PLR | CPA | M | RG | 1 | | | | 5 | | | | | | PLANNED OBSOLESCENCE | | 34951-0810 | 34951-0820 |
| KEY A, BLACK, W/O CPA | 33472-1023 | A-BLK | GCP | PLR | | M | RG | | | | | 5 | 6 | 7 | 8 | | | PLANNED OBSOLESCENCE | | 34951-0810 | |

MX150 RECEPTACLE 2X4 SEALED ASSEMBLY MAT SEAL
BOM AND PIN OUT SHEET

| ASSEMBLY DESCRIPTION | ASSEMBLY PART NUMBER | COMPONENT | | | | | | BLOCKED TERMINALS | | | | | | | | STATUS | COMMENTS | OPTIONAL ATTACHMENTS SOLD SEPERATELY | | |
|---|----------------------|---|-------------|-----|-----|----------|-----------|--|---|---|---|---|---|---|---|--------|----------------------|--------------------------------------|------------------------|------------|
| | | THE PRESENCE OF AN ABBREVIATION INDICATES THE PRESENCE OF THAT COMPONENT. | | | | | | CAVITY WITH A NUMBER INDICATES BLOCKED TERMINAL POSITION CAVITY WITHOUT A NUMBER INDICATES OPEN TERMINAL POSITION | | | | | | | | | | BACKSHELL WITH RIBS | BACKSHELL WITHOUT RIBS | |
| | | HOUSING KEY/COLOR | GROMMET CAP | PLR | CPA | MAT SEAL | RING SEAL | 1 | 2 | 3 | 4 | 5 | 6 | 7 | 8 | | | | | |
| KEY D, STONE GRAY, W/O CPA | 33472-1025 | D-SG | GCP | PLR | | M | RG | | | | | 4 | 5 | 6 | | | PLANNED OBSOLESCENCE | | 34951-0810 | 34951-0820 |
| KEY D, STONE GRAY, W/O CPA | 33472-1026 | D-SG | GCP | PLR | | M | RG | | | | | 4 | | | | | PLANNED OBSOLESCENCE | | 34951-0810 | 34951-0820 |
| KEY B, LIGHT GRAY, W/O CPA | 33472-1027 | B-LG | GCP | PLR | | M | RG | | | | | | | | 7 | 8 | PLANNED OBSOLESCENCE | | 34951-0810 | 34951-0820 |
| KEY A, BLACK, W/O CPA | 33472-1028 | A-BLK | GCP | PLR | | M | RG | 1 | 2 | 3 | 4 | | | | 7 | 8 | PLANNED OBSOLESCENCE | | 34951-0810 | 34951-0820 |
| KEY A, BLACK, W/O CPA | 33472-1029 | A-BLK | GCP | PLR | | M | RG | | | 3 | 4 | | | | | 8 | PLANNED OBSOLESCENCE | | 34951-0810 | 34951-0820 |
| KEY A, BLACK, W/O CPA | 33472-1030 | A-BLK | GCP | PLR | | M | RG | 1 | 2 | 3 | 4 | 5 | | | 7 | | PLANNED OBSOLESCENCE | | 34951-0810 | 34951-0820 |
| KEY A, BLACK, W/O CPA | 33472-1031 | A-BLK | GCP | PLR | | M | RG | | | | | 5 | | | | | PLANNED OBSOLESCENCE | | 34951-0810 | 34951-0820 |
| KEY A, BLACK, W/O CPA | 33472-1032 | A-BLK | GCP | PLR | | M | RG | | 2 | | | 5 | | | | | PLANNED OBSOLESCENCE | | 34951-0810 | 34951-0820 |
| KEY B, LIGHT GRAY, W/O CPA | 33472-1033 | B-LG | GCP | PLR | | M | RG | 1 | | 3 | | | | | | 8 | PLANNED OBSOLESCENCE | | 34951-0810 | 34951-0820 |
| KEY B, LIGHT GRAY, W/O CPA | 33472-1034 | B-LG | GCP | PLR | | M | RG | | | 3 | | | | | | 8 | PLANNED OBSOLESCENCE | | 34951-0810 | 34951-0820 |
| KEY B, LIGHT GRAY, W/O CPA | 33472-1035 | B-LG | GCP | PLR | | M | RG | 1 | | | | | | | | | PLANNED OBSOLESCENCE | | 34951-0810 | 34951-0820 |
| KEY A, BLACK, W/O CPA | 33472-1036 | A-BLK | GCP | PLR | | M | RG | 1 | | | | | | | | 8 | PLANNED OBSOLESCENCE | | 34951-0810 | 34951-0820 |
| KEY A, BLACK, W/O CPA | 33472-1037 | A-BLK | GCP | PLR | | M | RG | | | | | | 6 | | | 8 | PLANNED OBSOLESCENCE | | 34951-0810 | 34951-0820 |
| KEY A, BLACK, W/O CPA | 33472-1038 | A-BLK | GCP | PLR | | M | RG | 1 | | | 4 | 5 | 6 | 7 | 8 | | PLANNED OBSOLESCENCE | | 34951-0810 | 34951-0820 |
| KEY A, BLACK, W/O CPA | 33472-1039 | A-BLK | GCP | PLR | | M | RG | | 2 | | | | | | 7 | | PLANNED OBSOLESCENCE | | 34951-0810 | 34951-0820 |
| KEY B, LIGHT GRAY, W/O CPA | 33472-1040 | B-LG | GCP | PLR | | M | RG | | | | | 5 | | | 7 | | PLANNED OBSOLESCENCE | | 34951-0810 | 34951-0820 |
| KEY A, BLACK, W/O CPA | 33472-1041 | A-BLK | GCP | PLR | | M | RG | | | | 4 | 5 | 6 | 7 | 8 | | PLANNED OBSOLESCENCE | | 34951-0810 | 34951-0820 |
| KEY A, BLACK, W/O CPA | 33472-1042 | A-BLK | GCP | PLR | | M | RG | | | | | 5 | | | | 8 | PLANNED OBSOLESCENCE | | 34951-0810 | 34951-0820 |
| KEY A, BLACK, W/O CPA | 33472-1043 | A-BLK | GCP | PLR | | M | RG | | 2 | | 4 | 5 | 6 | | | | PLANNED OBSOLESCENCE | | 34951-0810 | 34951-0820 |
| KEY A, BLACK, W/O CPA | 33472-1044 | A-BLK | GCP | PLR | | M | RG | 1 | 2 | 3 | 4 | | 6 | 7 | | | PLANNED OBSOLESCENCE | | 34951-0810 | 34951-0820 |
| KEY A, BLACK, W/O CPA | 33472-1045 | A-BLK | GCP | PLR | | M | RG | | | | 4 | | | | | | PLANNED OBSOLESCENCE | | 34951-0810 | 34951-0820 |
| KEY A, BLACK, W/CPA | 33472-1046 | A-BLK | GCP | PLR | CPA | M | RG | 1 | | | | | | | 7 | | PLANNED OBSOLESCENCE | | 34951-0810 | 34951-0820 |
| KEY B, LIGHT GRAY, W/O CPA | 33472-1047 | B-LG | GCP | PLR | | M | RG | | | | | 5 | | | | | PLANNED OBSOLESCENCE | | 34951-0810 | 34951-0820 |
| KEY A, BLACK, W/O CPA | 33472-1048 | A-BLK | GCP | PLR | | M | RG | 1 | 2 | | | | 5 | 6 | | 8 | PLANNED OBSOLESCENCE | | 34951-0810 | 34951-0820 |
| KEY A, BLACK, W/O CPA | 33472-1049 | A-BLK | GCP | PLR | | M | RG | 1 | 2 | | | | | | | 8 | PLANNED OBSOLESCENCE | | 34951-0810 | 34951-0820 |
| KEY A, BLACK, W/O CPA | 33472-1050 | A-BLK | GCP | PLR | | M | RG | | | | 4 | 5 | 6 | | | | PLANNED OBSOLESCENCE | | 34951-0810 | 34951-0820 |
| KEY A, BLACK, W/O CPA | 33472-1051 | A-BLK | GCP | PLR | | M | RG | 1 | 2 | 3 | | | 6 | | | | PLANNED OBSOLESCENCE | | 34951-0810 | 34951-0820 |
| KEY A, BLACK, W/O CPA | 33472-1052 | A-BLK | GCP | PLR | | M | RG | | | | 4 | 5 | | 7 | 8 | | PLANNED OBSOLESCENCE | | 34951-0810 | 34951-0820 |
| KEY A, BLACK, W/O CPA | 33472-1053 | A-BLK | GCP | PLR | | M | RG | | | 3 | 4 | | | | 7 | 8 | PLANNED OBSOLESCENCE | | 34951-0810 | 34951-0820 |
| KEY A, BLACK, WITH CLIPSLOT, W/O CPA | 33472-0901 | A-BLK-CLIP | GCO | PLR | | M | RG | | | | | | | | | | PLANNED OBSOLESCENCE | | | |
| KEY B, LIGHT GRAY, WITH CLIPSLOT, W/O CPA | 33472-0902 | B-LG-CLIP | GCO | PLR | | M | RG | | | | | | | | | | PLANNED OBSOLESCENCE | | | |
| KEY C, BROWN, WITH CLIPSLOT, W/O CPA | 33472-0903 | C-BR-CLIP | GCO | PLR | | M | RG | | | | | | | | | | PLANNED OBSOLESCENCE | SEE P/N 33472-0922 | | |
| KEY D, GREEN, WITH CLIPSLOT, W/O CPA | 33472-0904 | D-GR-CLIP | GCO | PLR | | M | RG | | | | | | | | | | PLANNED OBSOLESCENCE | SEE P/N 33472-0923 | | |
| KEY D, BLACK, WITH CLIPSLOT, W/O CPA | 33472-0905 | D-BLK-CLIP | GCO | PLR | | M | RG | | | | | | | | | | PLANNED OBSOLESCENCE | | | |
| KEY A, BLACK, WITH CLIPSLOT, W/CPA | 33472-0906 | A-BLK-CLIP | GCO | PLR | CPA | M | RG | | | | | | | | | | PLANNED OBSOLESCENCE | | | |
| KEY B, LIGHT GRAY, WITH CLIPSLOT, W/CPA | 33472-0907 | B-LG-CLIP | GCO | PLR | CPA | M | RG | | | | | | | | | | PLANNED OBSOLESCENCE | | | |
| KEY C, BROWN, WITH CLIPSLOT, W/CPA | 33472-0908 | C-BR-CLIP | GCO | PLR | CPA | M | RG | | | | | | | | | | PLANNED OBSOLESCENCE | SEE P/N 33472-0924 | | |
| KEY D, GREEN, WITH CLIPSLOT, W/CPA | 33472-0909 | D-GR-CLIP | GCO | PLR | CPA | M | RG | | | | | | | | | | PLANNED OBSOLESCENCE | SEE P/N 33472-0925 | | |
| KEY A, BLACK, WITH CLIPSLOT, W/O CPA | 33472-0910 | A-BLK-CLIP | GCP | PLR | | M | RG | | | | 4 | | | | | | PLANNED OBSOLESCENCE | | | |
| KEY A, BLACK, WITH CLIPSLOT, W/O CPA | 33472-0920 | A-BLK-CLIP | GCP | PLR | | M | RG | | | | 4 | | | | | 8 | PLANNED OBSOLESCENCE | | | |
| KEY A, BLACK, WITH CLIPSLOT, W/O CPA | 33472-0921 | A-BLK-CLIP | GCP | PLR | | M | RG | | | | | | | | | 8 | PLANNED OBSOLESCENCE | | | |
| KEY C, DARK GRAY, WITH CLIPSLOT, W/O CPA | 33472-0922 | C-DG-CLIP | GCO | PLR | | M | RG | | | | | | | | | | PLANNED OBSOLESCENCE | | | |
| KEY D, STONE GRAY, WITH CLIPSLOT, W/O CPA | 33472-0923 | D-SG-CLIP | GCO | PLR | | M | RG | | | | | | | | | | PLANNED OBSOLESCENCE | | | |
| KEY C, DARK GRAY, WITH CLIPSLOT, W/CPA | 33472-0924 | C-DG-CLIP | GCO | PLR | CPA | M | RG | | | | | | | | | | PLANNED OBSOLESCENCE | | | |
| KEY D, STONE GRAY, WITH CLIPSLOT, W/CPA | 33472-0925 | D-SG-CLIP | GCO | PLR | CPA | M | RG | | | | | | | | | | PLANNED OBSOLESCENCE | | | |
| KEY B, LIGHT GRAY, WITH CLIPSLOT, W/O CPA | 33472-0926 | B-LG-CLIP | GCP | PLR | | M | RG | | | | 4 | | | | | 8 | PLANNED OBSOLESCENCE | | | |
| KEY A, BLACK, WITH CLIPSLOT, W/CPA | 33472-0927 | A-BLK-CLIP | GCP | PLR | CPA | M | RG | | | | 4 | | | | | 8 | PLANNED OBSOLESCENCE | | | |
| KEY B, LIGHT GRAY, WITH CLIPSLOT, W/CPA | 33472-0928 | B-LG-CLIP | GCP | PLR | CPA | M | RG | | | | 4 | | | | | 8 | PLANNED OBSOLESCENCE | | | |
| KEY A, BLACK, WITH CLIPSLOT, W/O CPA | 33472-0929 | A-BLK-CLIP | GCP | PLR | | M | RG | | | | 4 | 5 | | 7 | 8 | | PLANNED OBSOLESCENCE | | | |
| KEY A, BLACK, WITH CLIPSLOT, W/O CPA | 33472-0930 | A-BLK-CLIP | GCP | PLR | | M | RG | | 2 | 3 | 4 | 5 | | 7 | 8 | | PLANNED OBSOLESCENCE | | | |
| KEY A, BLACK, WITH CLIPSLOT, W/O CPA | 33472-0931 | A-BLK-CLIP | GCP | PLR | | M | RG | 1 | 2 | 3 | | | 6 | | | | PLANNED OBSOLESCENCE | | | |
| KEY A, BLACK, WITH CLIPSLOT, W/O CPA | 33472-0932 | A-BLK-CLIP | GCP | PLR | | M | RG | 1 | | | | | 6 | | | | PLANNED OBSOLESCENCE | | | |
| KEY A, BLACK, WITH CLIPSLOT, W/CPA | 33472-0933 | A-BLK-CLIP | GCP | PLR | CPA | M | RG | | | | | | | | | 8 | PLANNED OBSOLESCENCE | | | |
| KEY B, LIGHT GRAY, WITH CLIPSLOT, W/CPA | 33472-0934 | B-LG-CLIP | GCP | PLR | CPA | M | RG | | | | | | | | | 8 | PLANNED OBSOLESCENCE | | | |
| KEY A, BLACK, WITH CLIPSLOT, W/CPA | 33472-0935 | A-BLK-CLIP | GCP | PLR | CPA | M | RG | | 2 | 3 | 4 | | 6 | 7 | 8 | | PLANNED OBSOLESCENCE | | | |
| KEY A, BLACK, WITH CLIPSLOT, W/O CPA | 33472-0936 | A-BLK-CLIP | GCP | PLR | | M | RG | | | | | | 5 | | | 8 | PLANNED OBSOLESCENCE | | | |
| KEY A, BLACK, WITH CLIPSLOT, W/O CPA | 33472-0937 | A-BLK-CLIP | GCP | PLR | | M | RG | | | | | 5 | | | | 8 | PLANNED OBSOLESCENCE | | | |
| KEY A, BLACK, WITH CLIPSLOT, W/O CPA | 33472-0938 | A-BLK-CLIP | GCP | PLR | | M | RG | | | | | 5 | | | | | PLANNED OBSOLESCENCE | | | |
| KEY A, BLACK, WITH CLIPSLOT, W/O CPA | 33472-0939 | A-BLK-CLIP | GCP | PLR | | M | RG | | | | 4 | 5 | 6 | 7 | 8 | | PLANNED OBSOLESCENCE | | | |
| KEY A, BLACK, WITH CLIPSLOT, W/O CPA | 33472-0940 | A-BLK-CLIP | GCP | PLR | | M | RG | 1 | 2 | | | 5 | 6 | | | | PLANNED OBSOLESCENCE | | | |
| KEY A, BLACK, WITH CLIPSLOT, W/O CPA | 33472-0941 | A-BLK-CLIP | GCP | PLR | | M | RG | 1 | 2 | 3 | 4 | 5 | 6 | | | | PLANNED OBSOLESCENCE | | | |
| KEY A, BLACK, W/O CPA | 33472-4801 | A-BLK | GCO | PLR | | M | RR | | | | | | | | | | SALEABLE | | 34951-0810 | 34951-0820 |
| KEY B, LIGHT GRAY, W/O CPA | 33472-4802 | B-LG | GCO | PLR | | M | RR | | | | | | | | | | SALEABLE | | 34951-0810 | 34951-0820 |
| KEY C, BROWN, W/O CPA | 33472-4803 | C-BR | GCO | PLR | | M | RR | | | | | | | | | | NOT RECOMMENDED | SEE P/N 33472-4879 | 34951-0810 | 34951-0820 |
| KEY D, GREEN, W/O CPA | 33472-4804 | D-GR | GCO | PLR | | M | RR | | | | | | | | | | NOT RECOMMENDED | SEE P/N 33472-4880 | 34951-0810 | 34951-0820 |
| KEY D, BLACK, W/O CPA | 33472-4805 | D-BLK | GCO | PLR | | M | RR | | | | | | | | | | SALEABLE | | 34951-0810 | 34951-0820 |
| KEY A, BLACK, W/CPA | 33472-4806 | A-BLK | GCO | PLR | CPA | M | RR | | | | | | | | | | SALEABLE | | 34951-0810 | 34951-0820 |
| KEY B, LIGHT GRAY, W/CPA | 33472-4807 | B-LG | GCO | PLR | CPA | M | RR | | | | | | | | | | SALEABLE | | 34951-0810 | 34951-0820 |
| KEY C, BROWN, W/CPA | 33472-4808 | C-BR | GCO | PLR | CPA | M | RR | | | | | | | | | | NOT RECOMMENDED | SEE P/N 33472-4881 | 34951-0810 | 34951-0820 |
| KEY D, GREEN, W/CPA | 33472-4809 | D-GR | GCO | PLR | CPA | M | RR | | | | | | | | | | NOT RECOMMENDED | SEE P/N 33472-4882 | 34951-0810 | 34951-0820 |
| VOID KEY | 33472-4810 | | | | | | | | | | | | | | | | | | | |
| KEY A, BLACK, W/O CPA | 33472-4811 | A-BLK | GCP | PLR | | M | RR | | | | 4 | | | | | | SALEABLE | | 34951-0810 | 34951-0820 |
| KEY B, LIGHT GRAY, W/O CPA | 33472-4812 | B-LG | GCP | PLR | | M | RR | | | | 4 | | | | | | SALEABLE | | 34951-0810 | 34951-0820 |
| KEY C, BROWN, W/O CPA | 33472-4813 | C-BR | GCP | PLR | | M | RR | | | | 4 | | | | | | NOT RECOMMENDED | | 34951-0810 | 34951-0820 |
| KEY D, GREEN, W/O CPA | 33472-4814 | D-GR | GCP | PLR | | M | RR | | | | 4 | | | | | | NOT RECOMMENDED | | 34951-0810 | 34951-0820 |

MX150 RECEPTACLE 2X4 SEALED ASSEMBLY MAT SEAL
BOM AND PIN OUT SHEET

| ASSEMBLY DESCRIPTION | ASSEMBLY PART NUMBER | COMPONENT | | | | | | BLOCKED TERMINALS | | | | | | | | STATUS | COMMENTS | OPTIONAL ATTACHMENTS SOLD SEPERATELY | | |
|----------------------------|----------------------|---|-------------|-----|-----|----------|-----------|--|---|---|---|---|---|---|---|--------|-----------------|--------------------------------------|------------------------|------------|
| | | THE PRESENCE OF AN ABBREVIATION INDICATES THE PRESENCE OF THAT COMPONENT. | | | | | | CAVITY WITH A NUMBER INDICATES BLOCKED TERMINAL POSITION CAVITY WITHOUT A NUMBER INDICATES OPEN TERMINAL POSITION | | | | | | | | | | BACKSHELL WITH RIBS | BACKSHELL WITHOUT RIBS | |
| | | HOUSING KEY/COLOR | GROMMET CAP | PLR | CPA | MAT SEAL | RING SEAL | 1 | 2 | 3 | 4 | 5 | 6 | 7 | 8 | | | | | |
| VOID KEY | 33472-4815 | | | | | | | | | | | | | | | | | | | |
| KEY A, BLACK, W/CPA | 33472-4816 | A-BLK | GCP | PLR | CPA | M | RR | | | | 4 | | | | | | SALEABLE | | 34951-0810 | 34951-0820 |
| KEY B, LIGHT GRAY, W/CPA | 33472-4817 | B-LG | GCP | PLR | CPA | M | RR | | | | 4 | | | | | | SALEABLE | | 34951-0810 | 34951-0820 |
| KEY C, BROWN, W/CPA | 33472-4818 | C-BR | GCP | PLR | CPA | M | RR | | | | 4 | | | | | | NOT RECOMMENDED | | 34951-0810 | 34951-0820 |
| KEY D, GREEN, W/CPA | 33472-4819 | D-GR | GCP | PLR | CPA | M | RR | | | | 4 | | | | | | NOT RECOMMENDED | SEE P/N 33472-5009 | 34951-0810 | 34951-0820 |
| VOID KEY | 33472-4820 | | | | | | | | | | | | | | | | | | | |
| KEY A, BLACK, W/O CPA | 33472-4821 | A-BLK | GCP | PLR | | M | RR | | | | 4 | 5 | | | | | SALEABLE | | 34951-0810 | 34951-0820 |
| KEY B, LIGHT GRAY, W/O CPA | 33472-4822 | B-LG | GCP | PLR | | M | RR | | | | 4 | 5 | | | | | SALEABLE | | 34951-0810 | 34951-0820 |
| KEY C, BROWN, W/O CPA | 33472-4823 | C-BR | GCP | PLR | | M | RR | | | | 4 | 5 | | | | | NOT RECOMMENDED | | 34951-0810 | 34951-0820 |
| KEY D, GREEN, W/O CPA | 33472-4824 | D-GR | GCP | PLR | | M | RR | | | | 4 | 5 | | | | | NOT RECOMMENDED | | 34951-0810 | 34951-0820 |
| VOID KEY | 33472-4825 | | | | | | | | | | | | | | | | | | | |
| KEY A, BLACK, W/CPA | 33472-4826 | A-BLK | GCP | PLR | CPA | M | RR | | | | 4 | 5 | | | | | SALEABLE | | 34951-0810 | 34951-0820 |
| KEY B, LIGHT GRAY, W/CPA | 33472-4827 | B-LG | GCP | PLR | CPA | M | RR | | | | 4 | 5 | | | | | SALEABLE | | 34951-0810 | 34951-0820 |
| KEY C, BROWN, W/CPA | 33472-4828 | C-BR | GCP | PLR | CPA | M | RR | | | | 4 | 5 | | | | | NOT RECOMMENDED | | 34951-0810 | 34951-0820 |
| KEY D, GREEN, W/CPA | 33472-4829 | D-GR | GCP | PLR | CPA | M | RR | | | | 4 | 5 | | | | | NOT RECOMMENDED | SEE P/N 33472-5010 | 34951-0810 | 34951-0820 |
| VOID KEY | 33472-4830 | | | | | | | | | | | | | | | | | | | |
| KEY A, BLACK, W/O CPA | 33472-4831 | A-BLK | GCP | PLR | | M | RR | 1 | | | 4 | 5 | | | | | SALEABLE | | 34951-0810 | 34951-0820 |
| KEY B, LIGHT GRAY, W/O CPA | 33472-4832 | B-LG | GCP | PLR | | M | RR | 1 | | | 4 | 5 | | | | | SALEABLE | | 34951-0810 | 34951-0820 |
| KEY C, BROWN, W/O CPA | 33472-4833 | C-BR | GCP | PLR | | M | RR | 1 | | | 4 | 5 | | | | | NOT RECOMMENDED | | 34951-0810 | 34951-0820 |
| KEY D, GREEN, W/O CPA | 33472-4834 | D-GR | GCP | PLR | | M | RR | 1 | | | 4 | 5 | | | | | NOT RECOMMENDED | | 34951-0810 | 34951-0820 |
| VOID KEY | 33472-4835 | | | | | | | | | | | | | | | | | | | |
| KEY A, BLACK, W/CPA | 33472-4836 | A-BLK | GCP | PLR | CPA | M | RR | 1 | | | 4 | 5 | | | | | SALEABLE | | 34951-0810 | 34951-0820 |
| KEY B, LIGHT GRAY, W/CPA | 33472-4837 | B-LG | GCP | PLR | CPA | M | RR | 1 | | | 4 | 5 | | | | | SALEABLE | | 34951-0810 | 34951-0820 |
| KEY C, BROWN, W/CPA | 33472-4838 | C-BR | GCP | PLR | CPA | M | RR | 1 | | | 4 | 5 | | | | | NOT RECOMMENDED | | 34951-0810 | 34951-0820 |
| KEY D, GREEN, W/CPA | 33472-4839 | D-GR | GCP | PLR | CPA | M | RR | 1 | | | 4 | 5 | | | | | NOT RECOMMENDED | | 34951-0810 | 34951-0820 |
| VOID KEY | 33472-4840 | | | | | | | | | | | | | | | | | | | |
| KEY A, BLACK, W/O CPA | 33472-4841 | A-BLK | GCP | PLR | | M | RR | 1 | | | 4 | 5 | | | | 8 | SALEABLE | | 34951-0810 | 34951-0820 |
| KEY B, LIGHT GRAY, W/O CPA | 33472-4842 | B-LG | GCP | PLR | | M | RR | 1 | | | 4 | 5 | | | | 8 | SALEABLE | | 34951-0810 | 34951-0820 |
| KEY C, BROWN, W/O CPA | 33472-4843 | C-BR | GCP | PLR | | M | RR | 1 | | | 4 | 5 | | | | 8 | NOT RECOMMENDED | | 34951-0810 | 34951-0820 |
| KEY D, GREEN, W/O CPA | 33472-4844 | D-GR | GCP | PLR | | M | RR | 1 | | | 4 | 5 | | | | 8 | NOT RECOMMENDED | | 34951-0810 | 34951-0820 |
| VOID KEY | 33472-4845 | | | | | | | | | | | | | | | | | | | |
| KEY A, BLACK, W/CPA | 33472-4846 | A-BLK | GCP | PLR | CPA | M | RR | 1 | | | 4 | 5 | | | | 8 | SALEABLE | | 34951-0810 | 34951-0820 |
| KEY B, LIGHT GRAY, W/CPA | 33472-4847 | B-LG | GCP | PLR | CPA | M | RR | 1 | | | 4 | 5 | | | | 8 | SALEABLE | | 34951-0810 | 34951-0820 |
| KEY C, BROWN, W/CPA | 33472-4848 | C-BR | GCP | PLR | CPA | M | RR | 1 | | | 4 | 5 | | | | 8 | NOT RECOMMENDED | | 34951-0810 | 34951-0820 |
| KEY D, GREEN, W/CPA | 33472-4849 | D-GR | GCP | PLR | CPA | M | RR | 1 | | | 4 | 5 | | | | 8 | NOT RECOMMENDED | | 34951-0810 | 34951-0820 |
| VOID KEY | 33472-4850 | | | | | | | | | | | | | | | | | | | |
| KEY A, BLACK, W/O CPA | 33472-4851 | A-BLK | GCP | PLR | | M | RR | 1 | 2 | 3 | 4 | 5 | 6 | 7 | 8 | | SALEABLE | | 34951-0810 | 34951-0820 |
| KEY B, LIGHT GRAY, W/O CPA | 33472-4852 | B-LG | GCP | PLR | | M | RR | 1 | 2 | 3 | 4 | 5 | 6 | 7 | 8 | | SALEABLE | | 34951-0810 | 34951-0820 |
| KEY C, BROWN, W/O CPA | 33472-4853 | C-BR | GCP | PLR | | M | RR | 1 | 2 | 3 | 4 | 5 | 6 | 7 | 8 | | NOT RECOMMENDED | | 34951-0810 | 34951-0820 |
| KEY D, GREEN, W/O CPA | 33472-4854 | D-GR | GCP | PLR | | M | RR | 1 | 2 | 3 | 4 | 5 | 6 | 7 | 8 | | NOT RECOMMENDED | | 34951-0810 | 34951-0820 |
| KEY A, BLACK, W/O CPA | 33472-4855 | D-BLK | GCP | PLR | | M | RR | 1 | 2 | 3 | 4 | 5 | 6 | 7 | 8 | | SALEABLE | | 34951-0810 | 34951-0820 |
| KEY A, BLACK, W/CPA | 33472-4856 | A-BLK | GCP | PLR | CPA | M | RR | | 2 | | | | 6 | 7 | | | SALEABLE | | 34951-0810 | 34951-0820 |
| KEY A, BLACK, W/CPA | 33472-4857 | A-BLK | GCP | PLR | CPA | M | RR | 1 | 2 | | | 5 | 6 | 7 | | | SALEABLE | | 34951-0810 | 34951-0820 |
| KEY A, BLACK, W/CPA | 33472-4858 | A-BLK | GCP | PLR | CPA | M | RR | 1 | 2 | 3 | | 5 | 6 | 7 | | | SALEABLE | | 34951-0810 | 34951-0820 |
| KEY A, BLACK, W/O CPA | 33472-4859 | A-BLK | GCP | PLR | | M | RR | 1 | 2 | 3 | | | 6 | 7 | 8 | | SALEABLE | | 34951-0810 | 34951-0820 |
| KEY D, BLACK, W/O CPA | 33472-4860 | D-BLK | GCP | PLR | | M | RR | | | | 4 | | | | | | SALEABLE | | 34951-0810 | 34951-0820 |
| KEY A, BLACK, W/O CPA | 33472-4861 | A-BLK | GCP | PLR | | M | RR | | | | | | | | | 8 | SALEABLE | | 34951-0810 | 34951-0820 |
| KEY A, BLACK, W/O CPA | 33472-4862 | A-BLK | GCP | PLR | | M | RR | 1 | | | | | | | | | SALEABLE | | 34951-0810 | 34951-0820 |
| KEY A, BLACK, W/O CPA | 33472-4863 | A-BLK | GCP | PLR | | M | RR | | 2 | | | | 5 | | | 8 | SALEABLE | | 34951-0810 | 34951-0820 |
| KEY A, BLACK, W/O CPA | 33472-4864 | A-BLK | GCP | PLR | | M | RR | 1 | | 3 | | | 5 | | | | SALEABLE | | 34951-0810 | 34951-0820 |
| KEY A, BLACK, W/O CPA | 33472-4865 | A-BLK | GCP | PLR | | M | RR | 1 | | | | | 6 | | | | SALEABLE | | 34951-0810 | 34951-0820 |
| KEY A, BLACK, W/O CPA | 33472-4866 | A-BLK | GCP | PLR | | M | RR | | | | | | 5 | 6 | | 8 | SALEABLE | | 34951-0810 | 34951-0820 |
| KEY A, BLACK, W/O CPA | 33472-4867 | A-BLK | GCP | PLR | | M | RR | 1 | | 3 | | | 5 | 6 | | | SALEABLE | | 34951-0810 | 34951-0820 |
| KEY A, BLACK, W/O CPA | 33472-4868 | A-BLK | GCP | PLR | | M | RR | | | | | | 5 | 6 | | 8 | SALEABLE | | 34951-0810 | 34951-0820 |
| KEY A, BLACK, W/O CPA | 33472-4869 | A-BLK | GCP | PLR | | M | RR | | | | | | 6 | | | | SALEABLE | | 34951-0810 | 34951-0820 |
| KEY A, BLACK, W/O CPA | 33472-4870 | A-BLK | GCP | PLR | | M | RR | 1 | | 3 | | | 5 | 6 | 7 | 8 | SALEABLE | | 34951-0810 | 34951-0820 |
| KEY A, BLACK, W/O CPA | 33472-4871 | A-BLK | GCP | PLR | | M | RR | | | 2 | 3 | 4 | 5 | 6 | 7 | | SALEABLE | | 34951-0810 | 34951-0820 |
| KEY A, BLACK, W/O CPA | 33472-4872 | A-BLK | GCP | PLR | | M | RR | | | | | | | 7 | 8 | | SALEABLE | | 34951-0810 | 34951-0820 |
| KEY A, BLACK, W/O CPA | 33472-4873 | A-BLK | GCP | PLR | | M | RR | | | | | | 2 | 3 | | 8 | SALEABLE | | 34951-0810 | 34951-0820 |
| KEY A, BLACK, W/O CPA | 33472-4874 | A-BLK | GCP | PLR | | M | RR | | | 2 | 3 | | | | | | SALEABLE | | 34951-0810 | 34951-0820 |
| KEY A, BLACK, W/O CPA | 33472-4875 | A-BLK | GCP | PLR | | M | RR | 1 | | | 4 | | | | | | SALEABLE | | 34951-0810 | 34951-0820 |
| KEY A, BLACK, W/O CPA | 33472-4876 | A-BLK | GCP | PLR | | M | RR | | | 2 | 3 | | 5 | 6 | 7 | 8 | SALEABLE | | 34951-0810 | 34951-0820 |
| KEY A, BLACK, W/CPA | 33472-4877 | A-BLK | GCP | PLR | CPA | M | RR | | | | | | | | | 8 | SALEABLE | | 34951-0810 | 34951-0820 |
| KEY A, BLACK, W/O CPA | 33472-4878 | A-BLK | GCP | PLR | | M | RR | | | 3 | | | 5 | 6 | | | SALEABLE | | 34951-0810 | 34951-0820 |
| KEY C, DARK GRAY, W/O CPA | 33472-4879 | C-DG | GCO | PLR | | M | RR | | | | | | | | | | SALEABLE | | 34951-0810 | 34951-0820 |
| KEY D, STONE GRAY, W/O CPA | 33472-4880 | D-SG | GCO | PLR | | M | RR | | | | | | | | | | SALEABLE | | 34951-0810 | 34951-0820 |
| KEY C, DARK GRAY, W/CPA | 33472-4881 | C-DG | GCO | PLR | CPA | M | RR | | | | | | | | | | SALEABLE | | 34951-0810 | 34951-0820 |
| KEY D, STONE GRAY, W/CPA | 33472-4882 | D-SG | GCO | PLR | CPA | M | RR | | | | | | | | | | SALEABLE | | 34951-0810 | 34951-0820 |
| KEY A, BLACK, W/O CPA | 33472-4883 | A-BLK | GCP | PLR | | M | RR | | 2 | 3 | 4 | 5 | | | 7 | 8 | SALEABLE | | 34951-0810 | 34951-0820 |
| KEY A, BLACK, W/O CPA | 33472-4884 | A-BLK | GCP | PLR | | M | RR | | | 3 | | | 6 | 7 | | | SALEABLE | | 34951-0810 | 34951-0820 |
| KEY A, BLACK, W/O CPA | 33472-4885 | A-BLK | GCP | PLR | | M | RR | | 2 | 3 | 4 | 5 | 6 | | 8 | | SALEABLE | | 34951-0810 | 34951-0820 |
| KEY A, BLACK, W/O CPA | 33472-4886 | A-BLK | GCP | PLR | | M | RR | | | 3 | | | 6 | | | | SALEABLE | | 34951-0810 | 34951-0820 |
| KEY B, LIGHT GRAY, W/CPA | 33472-4887 | B-LG | GCP | PLR | CPA | M | RR | | | | | | | | | 8 | SALEABLE | | 34951-0810 | 34951-0820 |
| KEY B, LIGHT GRAY, W/O CPA | 33472-4888 | B-LG | GCP | PLR | | M | RR | 1 | | | | | 6 | | | | SALEABLE | | 34951-0810 | 34951-0820 |
| KEY A, BLACK, W/O CPA | 33472-4889 | A-BLK | GCP | PLR | | M | RR | 1 | | | | 5 | | | | | SALEABLE | | 34951-0810 | 34951-0820 |

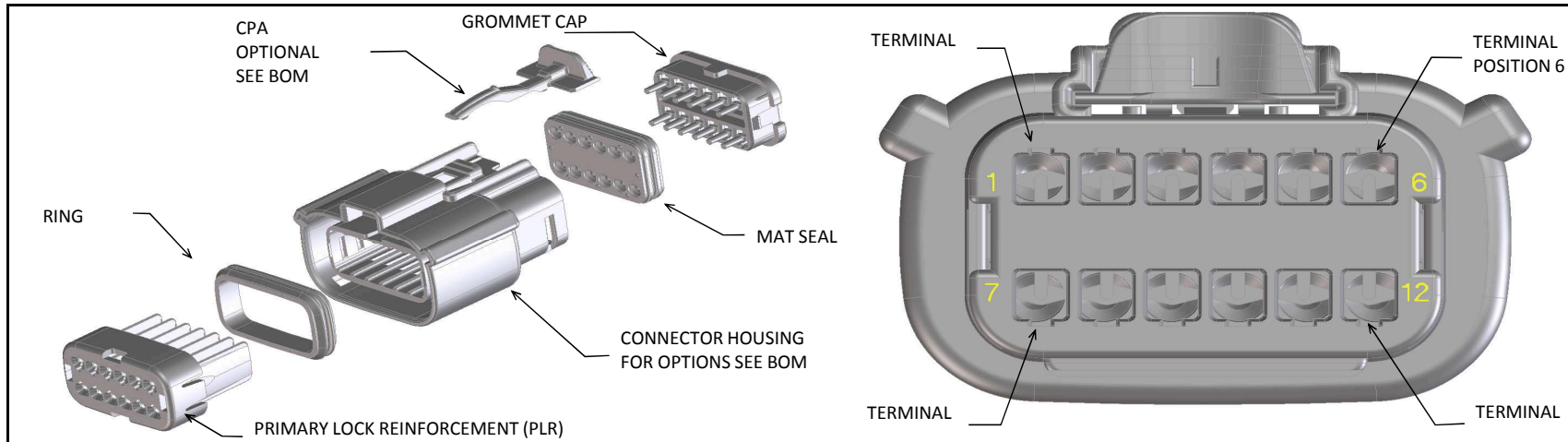
MX150 RECEPTACLE 2X4 SEALED ASSEMBLY MAT SEAL
BOM AND PIN OUT SHEET

| ASSEMBLY DESCRIPTION | ASSEMBLY PART NUMBER | COMPONENT | | | | | | BLOCKED TERMINALS | | | | | | | | STATUS | COMMENTS | OPTIONAL ATTACHMENTS SOLD SEPERATELY | | |
|---|----------------------|---|-------------|-----|-----|----------|-----------|--|---|---|---|---|---|---|---|--------|-----------------|--------------------------------------|------------------------|------------|
| | | THE PRESENCE OF AN ABBREVIATION INDICATES THE PRESENCE OF THAT COMPONENT. | | | | | | CAVITY WITH A NUMBER INDICATES BLOCKED TERMINAL POSITION CAVITY WITHOUT A NUMBER INDICATES OPEN TERMINAL POSITION | | | | | | | | | | BACKSHELL WITH RIBS | BACKSHELL WITHOUT RIBS | |
| | | HOUSING KEY/COLOR | GROMMET CAP | PLR | CPA | MAT SEAL | RING SEAL | 1 | 2 | 3 | 4 | 5 | 6 | 7 | 8 | | | | | |
| KEY A, YELLOW, W/CPA | 33472-4890 | A-YW | GCP | PLR | CPA | M | RR | | 2 | 3 | | | | | | | SALEABLE | | 34951-0810 | 34951-0820 |
| KEY A, YELLOW, W/CPA | 33472-4891 | A-YW | GCO | PLR | CPA | M | RR | | | | | | | | | | SALEABLE | | 34951-0810 | 34951-0820 |
| KEY A, YELLOW, W/O CPA | 33472-4892 | A-YW | GCO | PLR | | M | RR | | | | | | | | | | SALEABLE | | 34951-0810 | 34951-0820 |
| KEY A, BLACK, W/CPA | 33472-4893 | A-BLK | GCP | PLR | CPA | M | RR | | | | | 6 | | | | | SALEABLE | | 34951-0810 | 34951-0820 |
| KEY A, BLACK, W/CPA | 33472-4894 | A-BLK | GCP | PLR | CPA | M | RR | 1 | 2 | 3 | | 6 | 7 | 8 | | | SALEABLE | | 34951-0810 | 34951-0820 |
| KEY A, BLACK, W/O CPA | 33472-4895 | A-BLK | GCP | PLR | | M | RR | 1 | 2 | | | | | | | | SALEABLE | | 34951-0810 | 34951-0820 |
| KEY A, BLACK, W/O CPA | 33472-5001 | A-BLK | GCP | PLR | | M | RR | 1 | 2 | 3 | 4 | | | | | | SALEABLE | | 34951-0810 | 34951-0820 |
| KEY B, LIGHT GRAY, W/O CPA | 33472-5002 | B-LG | GCP | PLR | | M | RR | | | | | 6 | | | | | SALEABLE | | 34951-0810 | 34951-0820 |
| KEY A, BLACK, W/O CPA | 33472-5003 | A-BLK | GCP | PLR | | M | RR | 1 | | | 4 | | | | | | SALEABLE | | 34951-0810 | 34951-0820 |
| KEY A, BLACK, W/O CPA | 33472-5004 | A-BLK | GCP | PLR | | M | RR | | 2 | 3 | | 5 | 6 | 7 | 8 | | SALEABLE | | 34951-0810 | 34951-0820 |
| KEY A, BLACK, W/CPA | 33472-5005 | A-BLK | GCP | PLR | CPA | M | RR | | | | | | | | 8 | | SALEABLE | | 34951-0810 | 34951-0820 |
| KEY A, BLACK, W/O CPA | 33472-5006 | A-BLK | GCP | PLR | | M | RR | 1 | 2 | 3 | 4 | 5 | 6 | | | | SALEABLE | | 34951-0810 | 34951-0820 |
| KEY A, BLACK, W/CPA | 33472-5007 | A-BLK | GCP | PLR | CPA | M | RR | | | | | 6 | 7 | | | | SALEABLE | | 34951-0810 | 34951-0820 |
| KEY A, BLACK, W/CPA | 33472-5008 | A-BLK | GCP | PLR | CPA | M | RR | | | | | | 7 | | | | SALEABLE | | 34951-0810 | 34951-0820 |
| KEY D, STONE GRAY, W/CPA | 33472-5009 | D-SG | GCP | PLR | CPA | M | RR | | | | 4 | | | | | | SALEABLE | | 34951-0810 | 34951-0820 |
| KEY D, STONE GRAY, W/CPA | 33472-5010 | D-SG | GCP | PLR | CPA | M | RR | | | | 4 | 5 | | | | | SALEABLE | | 34951-0810 | 34951-0820 |
| KEY D, STONE GRAY, W/CPA | 33472-5011 | D-SG | GCP | PLR | CPA | M | RR | | | | 4 | 5 | 6 | | | | SALEABLE | | 34951-0810 | 34951-0820 |
| KEY A, BLACK, W/O CPA | 33472-5012 | A-BLK | GCP | PLR | | M | RR | | | | 4 | | | 7 | 8 | | SALEABLE | | 34951-0810 | 34951-0820 |
| KEY A, BLACK, W/CPA | 33472-5013 | A-BLK | GCP | PLR | CPA | M | RR | | | | 3 | 4 | 5 | 6 | 7 | 8 | SALEABLE | | 34951-0810 | 34951-0820 |
| KEY A, BLACK, W/O CPA | 33472-5014 | A-BLK | GCP | PLR | | M | RR | | | | 3 | 4 | 5 | 6 | 7 | 8 | SALEABLE | | 34951-0810 | 34951-0820 |
| KEY A, BLACK, W/CPA | 33472-5015 | A-BLK | GCP | PLR | CPA | M | RR | | | | 4 | | | | | | SALEABLE | | 34951-0810 | 34951-0820 |
| KEY A, BLACK, W/O CPA | 33472-5016 | A-BLK | GCP | PLR | | M | RR | | | | | | 6 | 7 | 8 | | SALEABLE | | 34951-0810 | 34951-0820 |
| KEY A, BLACK, W/O CPA | 33472-5017 | A-BLK | GCP | PLR | | M | RR | 1 | | 3 | 4 | | | | | | SALEABLE | | 34951-0810 | 34951-0820 |
| KEY A, BLACK, W/CPA | 33472-5018 | A-BLK | GCP | PLR | CPA | M | RR | | | | | 5 | 6 | 7 | 8 | | SALEABLE | | 34951-0810 | 34951-0820 |
| KEY A, BLACK, W/CPA | 33472-5019 | A-BLK | GCP | PLR | CPA | M | RR | | | | | | | | 7 | 8 | SALEABLE | | 34951-0810 | 34951-0820 |
| KEY A, BLACK, W/CPA | 33472-5020 | A-BLK | GCP | PLR | CPA | M | RR | | | 2 | 3 | 4 | | 6 | 7 | 8 | SALEABLE | | 34951-0810 | 34951-0820 |
| KEY A, BLACK, W/CPA | 33472-5021 | A-BLK | GCP | PLR | CPA | M | RR | 1 | 2 | 3 | 4 | 5 | 6 | 7 | 8 | | SALEABLE | | 34951-0810 | 34951-0820 |
| KEY A, BLACK, W/CPA | 33472-5022 | A-BLK | GCP | PLR | CPA | M | RR | 1 | | | | 5 | | | | | SALEABLE | | 34951-0810 | 34951-0820 |
| KEY A, BLACK, W/O CPA | 33472-5023 | A-BLK | GCP | PLR | | M | RR | | | | | 5 | 6 | 7 | 8 | | SALEABLE | | 34951-0810 | 34951-0820 |
| KEY A, BLACK, W/O CPA | 33472-5024 | A-BLK | GCP | PLR | | M | RR | | | | 3 | 4 | | | | | SALEABLE | | 34951-0810 | 34951-0820 |
| KEY D, STONE GRAY, W/O CPA | 33472-5025 | D-SG | GCP | PLR | | M | RR | | | | | 4 | 5 | 6 | | | SALEABLE | | 34951-0810 | 34951-0820 |
| KEY D, STONE GRAY, W/O CPA | 33472-5026 | D-SG | GCP | PLR | | M | RR | | | | | 4 | | | | | SALEABLE | | 34951-0810 | 34951-0820 |
| KEY B, LIGHT GRAY, W/O CPA | 33472-5027 | B-LG | GCP | PLR | | M | RR | | | | | | | | 7 | 8 | SALEABLE | | 34951-0810 | 34951-0820 |
| KEY A, BLACK, W/O CPA | 33472-5028 | A-BLK | GCP | PLR | | M | RR | 1 | 2 | 3 | 4 | | | | | | SALEABLE | | 34951-0810 | 34951-0820 |
| KEY A, BLACK, W/O CPA | 33472-5029 | A-BLK | GCP | PLR | | M | RR | | | | 3 | 4 | | | | | SALEABLE | | 34951-0810 | 34951-0820 |
| KEY A, BLACK, W/O CPA | 33472-5030 | A-BLK | GCP | PLR | | M | RR | 1 | 2 | 3 | 4 | 5 | | | 7 | | SALEABLE | | 34951-0810 | 34951-0820 |
| KEY A, BLACK, W/O CPA | 33472-5031 | A-BLK | GCP | PLR | | M | RR | | | | | 5 | | | | | SALEABLE | | 34951-0810 | 34951-0820 |
| KEY A, BLACK, W/O CPA | 33472-5032 | A-BLK | GCP | PLR | | M | RR | | | 2 | | | 5 | | | | SALEABLE | | 34951-0810 | 34951-0820 |
| KEY B, LIGHT GRAY, W/O CPA | 33472-5033 | B-LG | GCP | PLR | | M | RR | 1 | | | 3 | | | | | 8 | SALEABLE | | 34951-0810 | 34951-0820 |
| KEY B, LIGHT GRAY, W/O CPA | 33472-5034 | B-LG | GCP | PLR | | M | RR | | | | 3 | | | | | | SALEABLE | | 34951-0810 | 34951-0820 |
| KEY B, LIGHT GRAY, W/O CPA | 33472-5035 | B-LG | GCP | PLR | | M | RR | 1 | | | | | | | | | SALEABLE | | 34951-0810 | 34951-0820 |
| KEY A, BLACK, W/O CPA | 33472-5036 | A-BLK | GCP | PLR | | M | RR | 1 | | | | | | | | 8 | SALEABLE | | 34951-0810 | 34951-0820 |
| KEY A, BLACK, W/O CPA | 33472-5037 | A-BLK | GCP | PLR | | M | RR | | | | | | 6 | | | | SALEABLE | | 34951-0810 | 34951-0820 |
| KEY A, BLACK, W/O CPA | 33472-5038 | A-BLK | GCP | PLR | | M | RR | 1 | | | 4 | 5 | 6 | 7 | 8 | | SALEABLE | | 34951-0810 | 34951-0820 |
| KEY A, BLACK, W/O CPA | 33472-5039 | A-BLK | GCP | PLR | | M | RR | | 2 | | | | | | 7 | | SALEABLE | | 34951-0810 | 34951-0820 |
| KEY B, LIGHT GRAY, W/O CPA | 33472-5040 | B-LG | GCP | PLR | | M | RR | | | | | 5 | | | | | SALEABLE | | 34951-0810 | 34951-0820 |
| KEY A, BLACK, W/O CPA | 33472-5041 | A-BLK | GCP | PLR | | M | RR | | | | 4 | 5 | 6 | 7 | 8 | | SALEABLE | | 34951-0810 | 34951-0820 |
| KEY A, BLACK, W/O CPA | 33472-5042 | A-BLK | GCP | PLR | | M | RR | | | | | 5 | | | | | SALEABLE | | 34951-0810 | 34951-0820 |
| KEY A, BLACK, W/O CPA | 33472-5043 | A-BLK | GCP | PLR | | M | RR | | | 2 | | 4 | 5 | 6 | | | SALEABLE | | 34951-0810 | 34951-0820 |
| KEY A, BLACK, W/O CPA | 33472-5044 | A-BLK | GCP | PLR | | M | RR | 1 | 2 | 3 | 4 | | 6 | 7 | | | SALEABLE | | 34951-0810 | 34951-0820 |
| KEY A, BLACK, W/O CPA | 33472-5045 | A-BLK | GCP | PLR | | M | RR | | | | | 4 | | | | | SALEABLE | | 34951-0810 | 34951-0820 |
| KEY A, BLACK, W/CPA | 33472-5046 | A-BLK | GCP | PLR | CPA | M | RR | 1 | | | | | | | 7 | | SALEABLE | | 34951-0810 | 34951-0820 |
| KEY B, LIGHT GRAY, W/O CPA | 33472-5047 | B-LG | GCP | PLR | | M | RR | | | | | 5 | | | | | SALEABLE | | 34951-0810 | 34951-0820 |
| KEY A, BLACK, W/O CPA | 33472-5048 | A-BLK | GCP | PLR | | M | RR | 1 | 2 | | | | 5 | 6 | | | SALEABLE | | 34951-0810 | 34951-0820 |
| KEY A, BLACK, W/O CPA | 33472-5049 | A-BLK | GCP | PLR | | M | RR | 1 | 2 | | | | | | | 8 | SALEABLE | | 34951-0810 | 34951-0820 |
| KEY A, BLACK, W/O CPA | 33472-5050 | A-BLK | GCP | PLR | | M | RR | | | | 4 | 5 | 6 | | | | SALEABLE | | 34951-0810 | 34951-0820 |
| KEY A, BLACK, W/O CPA | 33472-5051 | A-BLK | GCP | PLR | | M | RR | 1 | 2 | 3 | | | 6 | | | | SALEABLE | | 34951-0810 | 34951-0820 |
| KEY A, BLACK, W/O CPA | 33472-5052 | A-BLK | GCP | PLR | | M | RR | | | | | 4 | 5 | | 7 | 8 | SALEABLE | | 34951-0810 | 34951-0820 |
| KEY A, BLACK, W/O CPA | 33472-5053 | A-BLK | GCP | PLR | | M | RR | | | | 3 | 4 | | | 7 | 8 | SALEABLE | | 34951-0810 | 34951-0820 |
| KEY A, BLACK, WITH CLIPSLOT, W/O CPA | 33472-4901 | A-BLK-CLIP | GCO | PLR | | M | RR | | | | | | | | | | SALEABLE | | | |
| KEY B, LIGHT GRAY, WITH CLIPSLOT, W/O CPA | 33472-4902 | B-LG-CLIP | GCO | PLR | | M | RR | | | | | | | | | | SALEABLE | | | |
| KEY C, BROWN, WITH CLIPSLOT, W/O CPA | 33472-4903 | C-BR-CLIP | GCO | PLR | | M | RR | | | | | | | | | | NOT RECOMMENDED | SEE P/N 33472-4922 | | |
| KEY D, GREEN, WITH CLIPSLOT, W/O CPA | 33472-4904 | D-GR-CLIP | GCO | PLR | | M | RR | | | | | | | | | | NOT RECOMMENDED | SEE P/N 33472-4923 | | |
| KEY D, BLACK, WITH CLIPSLOT, W/O CPA | 33472-4905 | D-BLK-CLIP | GCO | PLR | | M | RR | | | | | | | | | | SALEABLE | | | |
| KEY A, BLACK, WITH CLIPSLOT, W/CPA | 33472-4906 | A-BLK-CLIP | GCO | PLR | CPA | M | RR | | | | | | | | | | SALEABLE | | | |
| KEY B, LIGHT GRAY, WITH CLIPSLOT, W/CPA | 33472-4907 | B-LG-CLIP | GCO | PLR | CPA | M | RR | | | | | | | | | | SALEABLE | | | |
| KEY C, BROWN, WITH CLIPSLOT, W/CPA | 33472-4908 | C-BR-CLIP | GCO | PLR | CPA | M | RR | | | | | | | | | | NOT RECOMMENDED | SEE P/N 33472-4924 | | |
| KEY D, GREEN, WITH CLIPSLOT, W/CPA | 33472-4909 | D-GR-CLIP | GCO | PLR | CPA | M | RR | | | | | | | | | | NOT RECOMMENDED | SEE P/N 33472-4925 | | |
| KEY A, BLACK, WITH CLIPSLOT, W/O CPA | 33472-4910 | A-BLK-CLIP | GCP | PLR | | M | RR | | | | 4 | | | | | | SALEABLE | | | |
| KEY A, BLACK, WITH CLIPSLOT, W/O CPA | 33472-4920 | A-BLK-CLIP | GCP | PLR | | M | RR | | | | 4 | | | | | 8 | SALEABLE | | | |
| KEY A, BLACK, WITH CLIPSLOT, W/O CPA | 33472-4921 | A-BLK-CLIP | GCP | PLR | | M | RR | | | | | | | | 8 | | SALEABLE | | | |
| KEY C, DARK GRAY, WITH CLIPSLOT, W/O CPA | 33472-4922 | C-DG-CLIP | GCO | PLR | | M | RR | | | | | | | | | | SALEABLE | | | |
| KEY D, STONE GRAY, WITH CLIPSLOT, W/O CPA | 33472-4923 | D-SG-CLIP | GCO | PLR | | M | RR | | | | | | | | | | SALEABLE | | | |
| KEY C, DARK GRAY, WITH CLIPSLOT, W/CPA | 33472-4924 | C-DG-CLIP | GCO | PLR | CPA | M | RR | | | | | | | | | | SALEABLE | | | |
| KEY D, STONE GRAY, WITH CLIPSLOT, W/CPA | 33472-4925 | D-SG-CLIP | GCO | PLR | CPA | M | RR | | | | | | | | | | SALEABLE | | | |

**MX150 RECEPTACLE 2X4 SEALED ASSEMBLY MAT SEAL
BOM AND PIN OUT SHEET**

| ASSEMBLY DESCRIPTION | ASSEMBLY PART NUMBER | COMPONENT | | | | | | BLOCKED TERMINALS | | | | | | | | STATUS | COMMENTS | OPTIONAL ATTACHMENTS SOLD SEPERATELY | | | |
|---|----------------------|---|-------------|-----|-----|----------|-----------|--|---|---|---|---|---|---|---|--------|----------|--------------------------------------|------------------------|----------|--|
| | | THE PRESENCE OF AN ABBREVIATION INDICATES THE PRESENCE OF THAT COMPONENT. | | | | | | CAVITY WITH A NUMBER INDICATES BLOCKED TERMINAL POSITION CAVITY WITHOUT A NUMBER INDICATES OPEN TERMINAL POSITION | | | | | | | | | | BACKSHELL WITH RIBS | BACKSHELL WITHOUT RIBS | | |
| | | HOUSING KEY/COLOR | GROMMET CAP | PLR | CPA | MAT SEAL | RING SEAL | 1 | 2 | 3 | 4 | 5 | 6 | 7 | 8 | | | | | | |
| KEY B, LIGHT GRAY, WITH CLIPSLOT, W/O CPA | 33472-4926 | B-LG-CLIP | GCP | PLR | | M | RR | | | | | | | 4 | | | | 8 | SALEABLE | | |
| KEY A, BLACK, WITH CLIPSLOT, W/CPA | 33472-4927 | A-BLK-CLIP | GCP | PLR | CPA | M | RR | | | | | | | 4 | | | | 8 | SALEABLE | | |
| KEY B, LIGHT GRAY, WITH CLIPSLOT, W/CPA | 33472-4928 | B-LG-CLIP | GCP | PLR | CPA | M | RR | | | | | | | 4 | | | | 8 | SALEABLE | | |
| KEY A, BLACK, WITH CLIPSLOT, W/O CPA | 33472-4929 | A-BLK-CLIP | GCP | PLR | | M | RR | | | | | | | 4 | 5 | | 7 | 8 | SALEABLE | | |
| KEY A, BLACK, WITH CLIPSLOT, W/O CPA | 33472-4930 | A-BLK-CLIP | GCP | PLR | | M | RR | | | 2 | 3 | | | 4 | 5 | | 7 | 8 | SALEABLE | | |
| KEY A, BLACK, WITH CLIPSLOT, W/O CPA | 33472-4931 | A-BLK-CLIP | GCP | PLR | | M | RR | 1 | | 2 | 3 | | | | | | 6 | | SALEABLE | | |
| KEY A, BLACK, WITH CLIPSLOT, W/O CPA | 33472-4932 | A-BLK-CLIP | GCP | PLR | | M | RR | 1 | | | | | | | | | 6 | | SALEABLE | | |
| KEY A, BLACK, WITH CLIPSLOT, W/CPA | 33472-4933 | A-BLK-CLIP | GCP | PLR | CPA | M | RR | | | | | | | | | | | 8 | SALEABLE | | |
| KEY B, LIGHT GRAY, WITH CLIPSLOT, W/CPA | 33472-4934 | B-LG-CLIP | GCP | PLR | CPA | M | RR | | | | | | | | | | | 8 | SALEABLE | | |
| KEY A, BLACK, WITH CLIPSLOT, W/CPA | 33472-4935 | A-BLK-CLIP | GCP | PLR | CPA | M | RR | | | 2 | 3 | | | | | | 6 | 7 | 8 | SALEABLE | |
| KEY A, BLACK, WITH CLIPSLOT, W/O CPA | 33472-4936 | A-BLK-CLIP | GCP | PLR | | M | RR | | | | | | | | | | 6 | 7 | 8 | SALEABLE | |
| KEY A, BLACK, WITH CLIPSLOT, W/O CPA | 33472-4937 | A-BLK-CLIP | GCP | PLR | | M | RR | | | | | | | | 5 | | | 8 | SALEABLE | | |
| KEY A, BLACK, WITH CLIPSLOT, W/O CPA | 33472-4938 | A-BLK-CLIP | GCP | PLR | | M | RR | | | | | | | | 5 | | | | SALEABLE | | |
| KEY A, BLACK, WITH CLIPSLOT, W/O CPA | 33472-4939 | A-BLK-CLIP | GCP | PLR | | M | RR | | | | | | | 4 | 5 | 6 | 7 | 8 | SALEABLE | | |
| KEY A, BLACK, WITH CLIPSLOT, W/O CPA | 33472-4940 | A-BLK-CLIP | GCP | PLR | | M | RR | 1 | | 2 | | | | | 5 | 6 | | | SALEABLE | | |
| KEY A, BLACK, WITH CLIPSLOT, W/O CPA | 33472-4941 | A-BLK-CLIP | GCP | PLR | | M | RR | 1 | | 2 | 3 | 4 | | 5 | 6 | | | | SALEABLE | | |

MX150 RECEPTACLE 2X6 SEALED ASSEMBLY MAT SEAL
BOM AND PIN OUT SHEET



| ABBREVIATION | DESCRIPTION | COLOR | MATERIAL |
|--------------|--|------------|--------------------------------|
| A-BLK | HOUSING, KEYING OPTION A | BLACK | SPS/NYLON GF20 |
| B-LG | HOUSING, KEYING OPTION B | LIGHT GRAY | SPS/NYLON GF20 |
| C-BR | HOUSING, KEYING OPTION C | BROWN | SPS/NYLON GF20 |
| D-GR | HOUSING, KEYING OPTION D | GREEN | SPS/NYLON GF20 |
| C-DG | HOUSING, KEYING OPTION C | DARK GRAY | SPS/NYLON GF20 |
| D-SG | HOUSING, KEYING OPTION D | STONE GRAY | SPS/NYLON GF20 |
| A-YW | HOUSING, KEYING OPTION A | YELLOW | SPS/NYLON GF20 |
| A-BLK-CLIP | HOUSING, KEYING OPTION A WITH CLIPSLOT | BLACK | SPS/NYLON GF20 |
| B-LG-CLIP | HOUSING, KEYING OPTION B WITH CLIPSLOT | LIGHT GRAY | SPS/NYLON GF20 |
| C-BR-CLIP | HOUSING, KEYING OPTION C WITH CLIPSLOT | BROWN | SPS/NYLON GF20 |
| D-GR-CLIP | HOUSING, KEYING OPTION D WITH CLIPSLOT | GREEN | SPS/NYLON GF20 |
| C-DG-CLIP | HOUSING, KEYING OPTION C WITH CLIPSLOT | DARK GRAY | SPS/NYLON GF20 |
| D-SG-CLIP | HOUSING, KEYING OPTION D WITH CLIPSLOT | STONE GRAY | SPS/NYLON GF20 |
| GC | GROMMET CAP | BLACK | SPS/NYLON GF20 |
| PLR | PLR | NATURAL | SPS/NYLON GF20 |
| CPA | CPA | RED | PBT GF30 |
| M | MAT SEAL | LIGHT BLUE | INHERENTLY LUBRICATED SILICONE |
| R | RING SEAL | GREEN | INHERENTLY LUBRICATED SILICONE |

FOR ADDITIONAL INFORMATION SEE SD-33472-0001

| ASSEMBLY DESCRIPTION | ASSEMBLY PART NUMBER | COMPONENT | | | | | | BLOCKED TERMINALS | | | | | | | | | | | | STATUS | COMMENTS | OPTIONAL ATTACHMENTS SOLD SEPERATELY | | | |
|----------------------------|----------------------|---|-------------|-----|-----|----------|-----------|--|---|---|---|---|---|---|---|---|----|----|----|--------|-----------------|--------------------------------------|------------------------|------------|------------|
| | | THE PRESENCE OF AN ABBREVIATION INDICATES THE PRESENCE OF THAT COMPONENT. | | | | | | CAVITY WITH A NUMBER INDICATES BLOCKED TERMINAL POSITION CAVITY WITHOUT A NUMBER INDICATES OPEN TERMINAL POSITION | | | | | | | | | | | | | | BACKSHELL WITH RIBS | BACKSHELL WITHOUT RIBS | | |
| | | HOUSING KEY/COLOR | GROMMET CAP | PLR | CPA | MAT SEAL | RING SEAL | 1 | 2 | 3 | 4 | 5 | 6 | 7 | 8 | 9 | 10 | 11 | 12 | | | | | | |
| KEY A, BLACK, W/O CPA | 33472-1201 | A-BLK | GC | PLR | | M | R | | | | | | | | | | | | | | SALEABLE | | 34951-1210 | 34951-1220 | |
| KEY B, LIGHT GRAY, W/O CPA | 33472-1202 | B-LG | GC | PLR | | M | R | | | | | | | | | | | | | | | SALEABLE | | 34951-1210 | 34951-1220 |
| KEY C, BROWN, W/O CPA | 33472-1203 | C-BR | GC | PLR | | M | R | | | | | | | | | | | | | | NOT RECOMMENDED | SEE P/N 33472-1253 | 34951-1210 | 34951-1220 | |
| KEY D, GREEN, W/O CPA | 33472-1204 | D-GR | GC | PLR | | M | R | | | | | | | | | | | | | | NOT RECOMMENDED | SEE P/N 33472-1254 | 34951-1210 | 34951-1220 | |
| VOID KEY | 33472-1205 | | | | | | | | | | | | | | | | | | | | | | | | |
| KEY A, BLACK, W/CPA | 33472-1206 | A-BLK | GC | PLR | CPA | M | R | | | | | | | | | | | | | | | | 34951-1210 | 34951-1220 | |
| KEY B, LIGHT GRAY, W/CPA | 33472-1207 | B-LG | GC | PLR | CPA | M | R | | | | | | | | | | | | | | | | 34951-1210 | 34951-1220 | |
| KEY C, BROWN, W/CPA | 33472-1208 | C-BR | GC | PLR | CPA | M | R | | | | | | | | | | | | | | NOT RECOMMENDED | SEE P/N 33472-1259 | 34951-1210 | 34951-1220 | |
| KEY D, GREEN, W/CPA | 33472-1209 | D-GR | GC | PLR | CPA | M | R | | | | | | | | | | | | | | NOT RECOMMENDED | SEE P/N 33472-1260 | 34951-1210 | 34951-1220 | |
| VOID KEY | 33472-1210 | | | | | | | | | | | | | | | | | | | | | | | | |
| KEY A, BLACK, W/O CPA | 33472-1211 | A-BLK | GC | PLR | | M | R | | | | | | | 6 | | | | | | | | | 34951-1210 | 34951-1220 | |
| KEY B, LIGHT GRAY, W/O CPA | 33472-1212 | B-LG | GC | PLR | | M | R | | | | | | | 6 | | | | | | | | | 34951-1210 | 34951-1220 | |
| KEY C, BROWN, W/O CPA | 33472-1213 | C-BR | GC | PLR | | M | R | | | | | | | 6 | | | | | | | NOT RECOMMENDED | | 34951-1210 | 34951-1220 | |
| KEY D, GREEN, W/O CPA | 33472-1214 | D-GR | GC | PLR | | M | R | | | | | | | 6 | | | | | | | NOT RECOMMENDED | | 34951-1210 | 34951-1220 | |
| VOID KEY | 33472-1215 | | | | | | | | | | | | | | | | | | | | | | | | |
| KEY A, BLACK, W/CPA | 33472-1216 | A-BLK | GC | PLR | CPA | M | R | | | | | | | 6 | | | | | | | | | 34951-1210 | 34951-1220 | |
| KEY B, LIGHT GRAY, W/CPA | 33472-1217 | B-LG | GC | PLR | CPA | M | R | | | | | | | 6 | | | | | | | | | 34951-1210 | 34951-1220 | |
| KEY C, BROWN, W/CPA | 33472-1218 | C-BR | GC | PLR | CPA | M | R | | | | | | | 6 | | | | | | | NOT RECOMMENDED | | 34951-1210 | 34951-1220 | |
| KEY D, GREEN, W/CPA | 33472-1219 | D-GR | GC | PLR | CPA | M | R | | | | | | | 6 | | | | | | | NOT RECOMMENDED | | 34951-1210 | 34951-1220 | |
| VOID KEY | 33472-1220 | | | | | | | | | | | | | | | | | | | | | | | | |
| KEY A, BLACK, W/O CPA | 33472-1221 | A-BLK | GC | PLR | | M | R | | | | | | | 6 | 7 | | | | | | | | 34951-1210 | 34951-1220 | |
| KEY B, LIGHT GRAY, W/O CPA | 33472-1222 | B-LG | GC | PLR | | M | R | | | | | | | 6 | 7 | | | | | | | | 34951-1210 | 34951-1220 | |
| KEY C, BROWN, W/O CPA | 33472-1223 | C-BR | GC | PLR | | M | R | | | | | | | 6 | 7 | | | | | | NOT RECOMMENDED | | 34951-1210 | 34951-1220 | |
| KEY D, GREEN, W/O CPA | 33472-1224 | D-GR | GC | PLR | | M | R | | | | | | | 6 | 7 | | | | | | NOT RECOMMENDED | | 34951-1210 | 34951-1220 | |
| VOID KEY | 33472-1225 | | | | | | | | | | | | | | | | | | | | | | | | |
| KEY A, BLACK, W/CPA | 33472-1226 | A-BLK | GC | PLR | CPA | M | R | | | | | | | 6 | 7 | | | | | | | | 34951-1210 | 34951-1220 | |
| KEY B, LIGHT GRAY, W/CPA | 33472-1227 | B-LG | GC | PLR | CPA | M | R | | | | | | | 6 | 7 | | | | | | | | 34951-1210 | 34951-1220 | |
| KEY C, BROWN, W/CPA | 33472-1228 | C-BR | GC | PLR | CPA | M | R | | | | | | | 6 | 7 | | | | | | NOT RECOMMENDED | | 34951-1210 | 34951-1220 | |
| KEY D, GREEN, W/CPA | 33472-1229 | D-GR | GC | PLR | CPA | M | R | | | | | | | 6 | 7 | | | | | | NOT RECOMMENDED | | 34951-1210 | 34951-1220 | |
| VOID KEY | 33472-1230 | | | | | | | | | | | | | | | | | | | | | | | | |
| KEY A, BLACK, W/O CPA | 33472-1231 | A-BLK | GC | PLR | | M | R | 1 | | | | | | 6 | 7 | | | | | | | | 34951-1210 | 34951-1220 | |
| KEY B, LIGHT GRAY, W/O CPA | 33472-1232 | B-LG | GC | PLR | | M | R | 1 | | | | | | 6 | 7 | | | | | | | | 34951-1210 | 34951-1220 | |
| KEY C, BROWN, W/O CPA | 33472-1233 | C-BR | GC | PLR | | M | R | 1 | | | | | | 6 | 7 | | | | | | NOT RECOMMENDED | | 34951-1210 | 34951-1220 | |
| KEY D, GREEN, W/O CPA | 33472-1234 | D-GR | GC | PLR | | M | R | 1 | | | | | | 6 | 7 | | | | | | NOT RECOMMENDED | | 34951-1210 | 34951-1220 | |
| VOID KEY | 33472-1235 | | | | | | | | | | | | | | | | | | | | | | | | |
| KEY A, BLACK, W/CPA | 33472-1236 | A-BLK | GC | PLR | CPA | M | R | 1 | | | | | | 6 | 7 | | | | | | | | 34951-1210 | 34951-1220 | |
| KEY B, LIGHT GRAY, W/CPA | 33472-1237 | B-LG | GC | PLR | CPA | M | R | 1 | | | | | | 6 | 7 | | | | | | | | 34951-1210 | 34951-1220 | |
| KEY C, BROWN, W/CPA | 33472-1238 | C-BR | GC | PLR | CPA | M | R | 1 | | | | | | 6 | 7 | | | | | | NOT RECOMMENDED | | 34951-1210 | 34951-1220 | |
| KEY D, GREEN, W/CPA | 33472-1239 | D-GR | GC | PLR | CPA | M | R | 1 | | | | | | 6 | 7 | | | | | | NOT RECOMMENDED | | 34951-1210 | 34951-1220 | |
| VOID KEY | 33472-1240 | | | | | | | | | | | | | | | | | | | | | | | | |
| KEY A, BLACK, W/O CPA | 33472-1241 | A-BLK | GC | PLR | | M | R | 1 | | | | | | 6 | 7 | | | | | | | | 34951-1210 | 34951-1220 | |
| KEY B, LIGHT GRAY, W/O CPA | 33472-1242 | B-LG | GC | PLR | | M | R | 1 | | | | | | 6 | 7 | | | | | | | | 34951-1210 | 34951-1220 | |
| KEY C, BROWN, W/O CPA | 33472-1243 | C-BR | GC | PLR | | M | R | 1 | | | | | | 6 | 7 | | | | | | NOT RECOMMENDED | | 34951-1210 | 34951-1220 | |
| KEY D, GREEN, W/O CPA | 33472-1244 | D-GR | GC | PLR | | M | R | 1 | | | | | | 6 | 7 | | | | | | NOT RECOMMENDED | | 34951-1210 | 34951-1220 | |
| VOID KEY | 33472-1245 | | | | | | | | | | | | | | | | | | | | | | | | |
| KEY A, BLACK, W/CPA | 33472-1246 | A-BLK | GC | PLR | CPA | M | R | 1 | | | | | | 6 | 7 | | | | | | | | 34951-1210 | 34951-1220 | |
| KEY B, LIGHT GRAY, W/CPA | 33472-1247 | B-LG | GC | PLR | CPA | M | R | 1 | | | | | | 6 | 7 | | | | | | | | 34951-1210 | 34951-1220 | |
| KEY C, BROWN, W/CPA | 33472-1248 | C-BR | GC | PLR | CPA | M | R | 1 | | | | | | 6 | 7 | | | | | | NOT RECOMMENDED | | 34951-1210 | 34951-1220 | |
| KEY D, GREEN, W/CPA | 33472-1249 | D-GR | GC | PLR | CPA | M | R | 1 | | | | | | 6 | 7 | | | | | | NOT RECOMMENDED | | 34951-1210 | 34951-1220 | |
| VOID KEY | 33472-1250 | | | | | | | | | | | | | | | | | | | | | | | | |
| KEY A, BLACK, W/O CPA | 33472-1251 | A-BLK | GC | PLR | | M | R | | | | | | | 6 | | | | | | | | | 34951-1210 | 34951-1220 | |
| KEY A, BLACK, W/CPA | 33472-1252 | A-BLK | GC | PLR | CPA | M | R | | | | | | | | | 9 | 10 | | | | | | 34951-1210 | 34951-1220 | |
| KEY C, DARK GRAY, W/O CPA | 33472-1253 | C-DG | GC | PLR | | M | R | | | | | | | | | | | | | | | | 34951-1210 | 34951-1220 | |
| KEY D, STONE GRAY, W/O CPA | 33472-1254 | D-SG | GC | PLR | | M | R | | | | | | | | | | | | | | | | 34951-1210 | 34951-1220 | |
| KEY A, BLACK, W/CPA | 33472-1255 | A-BLK | GC | PLR | CPA | M | R | | | | | | | | | | | 11 | | | | | 34951-1210 | 34951-1220 | |
| KEY A, BLACK, W/CPA | 33472-1256 | A-BLK | GC | PLR | CPA | M | R | | | | | | | | | 9 | 10 | 11 | | | | | 34951-1210 | 34951-1220 | |
| KEY A, BLACK, W/O CPA | 33472-1257 | A-BLK | GC | PLR | | M | R | | | | | | | | | 8 | | | | | | | 34951-1210 | 34951-1220 | |
| KEY A, BLACK, W/O CPA | 33472-1258 | A-BLK | GC | PLR | | M | R | 1 | 2 | 3 | 4 | 5 | 6 | 7 | 8 | 9 | 10 | 11 | 12 | | | | 34951-1210 | 34951-1220 | |
| KEY C, DARK GRAY, W/CPA | 33472-1259 | C-DG | GC | PLR | CPA | M | R | | | | | | | | | | | | | | | | 34951-1210 | 34951-1220 | |
| KEY D, STONE GRAY, W/CPA | 33472-1260 | D-SG | GC | PLR | CPA | M | R | | | | | | | | | | | | | | | | 34951-1210 | 34951-1220 | |
| KEY A, BLACK, W/O CPA | 33472-1261 | A-BLK | GC | PLR | | M | R | | | | | | | | | 9 | 10 | | | | | | 34951-1210 | 34951-1220 | |

MX150 RECEPTACLE 2X6 SEALED ASSEMBLY MAT SEAL
BOM AND PIN OUT SHEET

| ASSEMBLY DESCRIPTION | ASSEMBLY PART NUMBER | COMPONENT | | | | | | BLOCKED TERMINALS | | | | | | | | | | | | STATUS | COMMENTS | OPTIONAL ATTACHMENTS SOLD SEPERATELY | | | |
|---|----------------------|---|-------------|-----|-----|----------|-----------|--|---|---|---|---|---|---|---|----|----|----|----------|-----------------|--------------------|--------------------------------------|------------------------|------------|------------|
| | | THE PRESENCE OF AN ABBREVIATION INDICATES THE PRESENCE OF THAT COMPONENT. | | | | | | CAVITY WITH A NUMBER INDICATES BLOCKED TERMINAL POSITION CAVITY WITHOUT A NUMBER INDICATES OPEN TERMINAL POSITION | | | | | | | | | | | | | | BACKSHELL WITH RIBS | BACKSHELL WITHOUT RIBS | | |
| | | HOUSING KEY/COLOR | GROMMET CAP | PLR | CPA | MAT SEAL | RING SEAL | 1 | 2 | 3 | 4 | 5 | 6 | 7 | 8 | 9 | 10 | 11 | 12 | | | | | | |
| KEY A, BLACK, W/CPA | 33472-1262 | A-BLK | GC | PLR | CPA | M | R | | | | | | | 8 | 9 | 10 | 11 | 12 | SALEABLE | | 34951-1210 | 34951-1220 | | | |
| KEY B, LIGHT GRAY, W/CPA | 33472-1263 | B-LG | GC | PLR | CPA | M | R | | | | | | | | | | | 11 | 12 | SALEABLE | | 34951-1210 | 34951-1220 | | |
| KEY C, DARK GRAY, W/CPA | 33472-1264 | C-DG | GC | PLR | CPA | M | R | | | | | | | | | | | | 11 | 12 | SALEABLE | | 34951-1210 | 34951-1220 | |
| KEY D, STONE GRAY, W/CPA | 33472-1265 | D-SG | GC | PLR | CPA | M | R | | | | | | | | | | | | | 11 | 12 | SALEABLE | | 34951-1210 | 34951-1220 |
| KEY A, BLACK, W/CPA | 33472-1266 | A-BLK | GC | PLR | CPA | M | R | | | | | | | | | | | 11 | 12 | SALEABLE | | 34951-1210 | 34951-1220 | | |
| KEY D, STONE GRAY, W/CPA | 33472-1267 | D-SG | GC | PLR | CPA | M | R | 1 | | | | 6 | 7 | | | | | | | | | 34951-1210 | 34951-1220 | | |
| KEY A, BLACK, W/CPA | 33472-1268 | A-BLK | GC | PLR | CPA | M | R | 1 | | | | | | | | | | | | | | 34951-1210 | 34951-1220 | | |
| KEY A, BLACK, W/CPA | 33472-1269 | A-BLK | GC | PLR | CPA | M | R | 1 | 2 | | 4 | 6 | 7 | 8 | | 10 | 11 | 12 | SALEABLE | | 34951-1210 | 34951-1220 | | | |
| KEY A, BLACK, W/CPA | 33472-1270 | A-BLK | GC | PLR | CPA | M | R | | | | | | | 7 | | | | | | | | 34951-1210 | 34951-1220 | | |
| KEY A, BLACK, W/CPA | 33472-1271 | A-BLK | GC | PLR | CPA | M | R | | | | 4 | 6 | | | | 10 | 11 | 12 | SALEABLE | | 34951-1210 | 34951-1220 | | | |
| KEY A, BLACK, W/CPA | 33472-1272 | A-BLK | GC | PLR | CPA | M | R | | | | | 6 | | | 9 | 10 | 11 | 12 | SALEABLE | | 34951-1210 | 34951-1220 | | | |
| KEY A, BLACK, W/O CPA | 33472-1273 | A-BLK | GC | PLR | | M | R | | | | | 6 | | | 9 | 10 | 11 | 12 | SALEABLE | | 34951-1210 | 34951-1220 | | | |
| KEY A, BLACK, W/CPA | 33472-1274 | A-BLK | GC | PLR | CPA | M | R | | | | | 6 | | | | | 11 | 12 | SALEABLE | | 34951-1210 | 34951-1220 | | | |
| KEY A, BLACK, W/O CPA | 33472-1275 | A-BLK | GC | PLR | | M | R | 1 | 2 | 3 | 4 | 5 | | 8 | | | | | | | | 34951-1210 | 34951-1220 | | |
| KEY A, BLACK, W/O CPA | 33472-1276 | A-BLK | GC | PLR | | M | R | 1 | | | | 6 | | | | | | | | | | 34951-1210 | 34951-1220 | | |
| KEY A, BLACK, W/O CPA | 33472-1277 | A-BLK | GC | PLR | | M | R | 1 | | | | | | 7 | | | | | | | | 34951-1210 | 34951-1220 | | |
| KEY B, LIGHT GRAY, W/CPA | 33472-1278 | B-LG | GC | PLR | CPA | M | R | | | | | | | | | 10 | 11 | 12 | SALEABLE | | 34951-1210 | 34951-1220 | | | |
| KEY A, BLACK, W/O CPA | 33472-1279 | A-BLK | GC | PLR | | M | R | | | | | | | 7 | | | | 11 | | | | 34951-1210 | 34951-1220 | | |
| KEY A, BLACK, W/O CPA | 33472-1280 | A-BLK | GC | PLR | | M | R | | 2 | | | | | | | | | | | | | 34951-1210 | 34951-1220 | | |
| KEY A, BLACK, W/O CPA | 33472-1281 | A-BLK | GC | PLR | | M | R | 1 | | | 4 | | | | | | | | | | | 34951-1210 | 34951-1220 | | |
| KEY A, BLACK, W/CPA | 33472-1282 | A-BLK | GC | PLR | CPA | M | R | 1 | 2 | | | 6 | 7 | 8 | | | | | | | | 34951-1210 | 34951-1220 | | |
| KEY A, BLACK, W/CPA | 33472-1283 | A-BLK | GC | PLR | CPA | M | R | 1 | | | | | | 7 | | | | | | | | 34951-1210 | 34951-1220 | | |
| KEY A, BLACK, W/CPA | 33472-1284 | A-BLK | GC | PLR | CPA | M | R | 1 | 2 | 3 | 4 | 5 | 6 | 8 | | | | | | | | 34951-1210 | 34951-1220 | | |
| KEY A, BLACK, W/CPA | 33472-1285 | A-BLK | GC | PLR | CPA | M | R | 1 | | | | 6 | | | | | | | | | | 34951-1210 | 34951-1220 | | |
| KEY C, DARK GRAY, W/CPA | 33472-1286 | C-DG | GC | PLR | CPA | M | R | 1 | | | | 6 | 7 | | | | | | | | | 34951-1210 | 34951-1220 | | |
| KEY A, BLACK, W/CPA | 33472-1287 | A-BLK | GC | PLR | CPA | M | R | | | | | | | | | 10 | 11 | 12 | SALEABLE | | 34951-1210 | 34951-1220 | | | |
| KEY C, DARK GRAY, W/CPA | 33472-1288 | C-DG | GC | PLR | CPA | M | R | | | | | | | | | | | | | | | 34951-1210 | 34951-1220 | | |
| KEY C, DARK GRAY, W/CPA | 33472-1289 | C-DG | GC | PLR | CPA | M | R | | | | | | | | 9 | 10 | 11 | 12 | SALEABLE | | 34951-1210 | 34951-1220 | | | |
| KEY A, BLACK, W/CPA | 33472-1290 | A-BLK | GC | PLR | CPA | M | R | | | | | | | | 9 | | | | | | | 34951-1210 | 34951-1220 | | |
| KEY A, BLACK, W/CPA | 33472-1291 | A-BLK | GC | PLR | CPA | M | R | 1 | | | | 5 | 6 | 7 | 8 | | | | | | | 34951-1210 | 34951-1220 | | |
| KEY A, YELLOW, W/CPA | 33472-1292 | A-YW | GC | PLR | CPA | M | R | | | | | | | | | | | | | | | 34951-1210 | 34951-1220 | | |
| KEY A, BLACK, W/CPA | 33472-1293 | A-BLK | GC | PLR | CPA | M | R | 1 | | | | | | | | | | | | | | 34951-1210 | 34951-1220 | | |
| KEY A, BLACK, W/CPA | 33472-1294 | A-BLK | GC | PLR | CPA | M | R | | | | 4 | | | 7 | 8 | | | | | | | 34951-1210 | 34951-1220 | | |
| KEY D, STONE GRAY, W/CPA | 33472-1295 | D-SG | GC | PLR | CPA | M | R | | | | | | | | | 10 | | | | | | 34951-1210 | 34951-1220 | | |
| KEY A, BLACK, W/CPA | 33472-1296 | A-BLK | GC | PLR | CPA | M | R | | | | | | | 8 | 9 | 10 | 11 | 12 | SALEABLE | | 34951-1210 | 34951-1220 | | | |
| KEY A, BLACK, W/CPA | 33472-1297 | A-BLK | GC | PLR | CPA | M | R | 1 | 2 | 3 | 4 | 5 | 6 | | 9 | 10 | 11 | 12 | SALEABLE | | 34951-1210 | 34951-1220 | | | |
| KEY A, BLACK, WITH CLIPSLOT, W/O CPA | 33472-1301 | A-BLK-CLIP | GC | PLR | | M | R | | | | | | | | | | | | | | | | | | |
| KEY B, LIGHT GRAY, WITH CLIPSLOT, W/O CPA | 33472-1302 | B-LG-CLIP | GC | PLR | | M | R | | | | | | | | | | | | | | | | | | |
| KEY C, BROWN, WITH CLIPSLOT, W/O CPA | 33472-1303 | C-BR-CLIP | GC | PLR | | M | R | | | | | | | | | | | | | | | | | | |
| KEY D, GREEN, WITH CLIPSLOT, W/O CPA | 33472-1304 | D-GR-CLIP | GC | PLR | | M | R | | | | | | | | | | | | | | | | | | |
| VOID KEY | 33472-1305 | | | | | | | | | | | | | | | | | | | | | | | | |
| KEY A, BLACK, WITH CLIPSLOT, W/CPA | 33472-1306 | A-BLK-CLIP | GC | PLR | CPA | M | R | | | | | | | | | | | | | | | | | | |
| KEY B, LIGHT GRAY, WITH CLIPSLOT, W/CPA | 33472-1307 | B-LG-CLIP | GC | PLR | CPA | M | R | | | | | | | | | | | | | | | | | | |
| KEY C, BROWN, WITH CLIPSLOT, W/CPA | 33472-1308 | C-BR-CLIP | GC | PLR | CPA | M | R | | | | | | | | | | | | | | | | | | |
| KEY D, GREEN, WITH CLIPSLOT, W/CPA | 33472-1309 | D-GR-CLIP | GC | PLR | CPA | M | R | | | | | | | | | | | | | | | | | | |
| VOID KEY | 33472-1310 | | | | | | | | | | | | | | | | | | | | | | | | |
| KEY A, BLACK, WITH CLIPSLOT, W/O CPA | 33472-1311 | A-BLK-CLIP | GC | PLR | | M | R | 1 | 2 | 3 | 4 | 5 | 6 | 7 | 8 | 9 | 10 | 11 | 12 | SALEABLE | | | | | |
| KEY B, LIGHT GRAY, WITH CLIPSLOT, W/O CPA | 33472-1312 | B-LG-CLIP | GC | PLR | | M | R | 1 | 2 | 3 | 4 | 5 | 6 | 7 | 8 | 9 | 10 | 11 | 12 | SALEABLE | | | | | |
| KEY C, BROWN, WITH CLIPSLOT, W/O CPA | 33472-1313 | C-BR-CLIP | GC | PLR | | M | R | 1 | 2 | 3 | 4 | 5 | 6 | 7 | 8 | 9 | 10 | 11 | 12 | NOT RECOMMENDED | SEE P/N 33472-1411 | | | | |
| KEY D, GREEN, WITH CLIPSLOT, W/O CPA | 33472-1314 | D-GR-CLIP | GC | PLR | | M | R | 1 | 2 | 3 | 4 | 5 | 6 | 7 | 8 | 9 | 10 | 11 | 12 | NOT RECOMMENDED | SEE P/N 33472-1412 | | | | |
| VOID KEY | 33472-1315 | | | | | | | | | | | | | | | | | | | | | | | | |
| KEY A, BLACK, WITH CLIPSLOT, W/CPA | 33472-1316 | A-BLK-CLIP | GC | PLR | CPA | M | R | 1 | 2 | 3 | 4 | 5 | 6 | 7 | 8 | 9 | 10 | 11 | 12 | SALEABLE | | | | | |
| KEY B, LIGHT GRAY, WITH CLIPSLOT, W/CPA | 33472-1317 | B-LG-CLIP | GC | PLR | CPA | M | R | 1 | 2 | 3 | 4 | 5 | 6 | 7 | 8 | 9 | 10 | 11 | 12 | SALEABLE | | | | | |
| KEY C, BROWN, WITH CLIPSLOT, W/CPA | 33472-1318 | C-BR-CLIP | GC | PLR | CPA | M | R | 1 | 2 | 3 | 4 | 5 | 6 | 7 | 8 | 9 | 10 | 11 | 12 | NOT RECOMMENDED | SEE P/N 33472-1413 | | | | |
| KEY D, GREEN, WITH CLIPSLOT, W/CPA | 33472-1319 | D-GR-CLIP | GC | PLR | CPA | M | R | 1 | 2 | 3 | 4 | 5 | 6 | 7 | 8 | 9 | 10 | 11 | 12 | NOT RECOMMENDED | SEE P/N 33472-1414 | | | | |
| VOID KEY | 33472-1320 | | | | | | | | | | | | | | | | | | | | | | | | |
| KEY A, BLACK, WITH CLIPSLOT, W/O CPA | 33472-1321 | A-BLK-CLIP | GC | PLR | | M | R | | 2 | 3 | | | | 8 | | | | | | | | | | | |
| KEY A, BLACK, WITH CLIPSLOT, W/O CPA | 33472-1322 | A-BLK-CLIP | GC | PLR | | M | R | | 2 | 3 | | 5 | 6 | 7 | 8 | | | | | | | | | | |
| KEY A, BLACK, WITH CLIPSLOT, W/O CPA | 33472-1323 | A-BLK-CLIP | GC | PLR | | M | R | | | | | | 6 | 7 | | | | | | | | | | | |
| KEY A, BLACK, WITH CLIPSLOT, W/O CPA | 33472-1324 | A-BLK-CLIP | GC | PLR | | M | R | | 2 | 3 | | | 6 | 7 | 8 | | 10 | 11 | | | | | | | |
| KEY A, BLACK, WITH CLIPSLOT, W/O CPA | 33472-1325 | A-BLK-CLIP | GC | PLR | | M | R | 1 | | | | 5 | 6 | 7 | 8 | | | | | | | | | | |
| KEY B, LIGHT GRAY, WITH CLIPSLOT, W/O CPA | 33472-1326 | B-LG-CLIP | GC | PLR | | M | R | 1 | | | | 5 | 6 | 7 | 8 | 9 | 10 | | | | | | | | |
| KEY A, BLACK, WITH CLIPSLOT, W/O CPA | 33472-1327 | A-BLK-CLIP | GC | PLR | | M | R | | | | | | | | | | | | | | | | | | |
| KEY B, LIGHT GRAY, WITH CLIPSLOT, W/O CPA | 33472-1328 | B-LG-CLIP | GC | PLR | | M | R | | 2 | | | | | | | 9 | 10 | | | | | | | | |
| KEY A, BLACK, WITH CLIPSLOT, W/O CPA | 33472-1329 | A-BLK-CLIP | GC | PLR | | M | R | | 2 | 3 | | | | | 8 | 9 | 10 | 11 | | | | | | | |
| KEY A, BLACK, WITH CLIPSLOT, W/O CPA | 33472-1330 | A-BLK-CLIP | GC | PLR | | M | R | | | | | | | | 7 | 8 | 9 | 10 | 11 | | | | | | |
| KEY A, BLACK, WITH CLIPSLOT, W/O CPA | 33472-1331 | A-BLK-CLIP | GC | PLR | | M | R | | | | | | | | 7 | 8 | | | | | | | | | |
| KEY A, BLACK, WITH CLIPSLOT, W/O CPA | 33472-1332 | A-BLK-CLIP | GC | PLR | | M | R | | 2 | | | | | | | | 9 | 10 | | | | | | | |
| KEY A, BLACK, WITH CLIPSLOT, W/O CPA | 33472-1333 | A-BLK-CLIP | GC | PLR | | M | R | | 2 | | 4 | | | | | | | | | | | | | | |
| KEY A, BLACK, WITH CLIPSLOT, W/CPA | 33472-1334 | A-BLK-CLIP | GC | PLR | CPA | M | R | | | | | | | | | 9 | 10 | 11 | 12 | SALEABLE | | | | | |
| KEY A, BLACK, WITH CLIPSLOT, W/CPA | 33472-1335 | A-BLK-CLIP | GC | PLR | CPA | M | R | | | | | | | | | | | | | | | | | | |
| KEY A, BLACK, WITH CLIPSLOT, W/O CPA | 33472-1336 | A-BLK-CLIP | GC | PLR | | M | R | | 2 | 3 | 4 | | | 7 | 8 | | | | | | | | | | |
| KEY A, BLACK, WITH CLIPSLOT, W/O CPA | 33472-1337 | A-BLK-CLIP | GC | PLR | | M | R | 1 | | 3 | 4 | 5 | 6 | 7 | 8 | | | | | | | | | | |
| KEY A, BLACK, WITH CLIPSLOT, W/CPA | 33472-1338 | A-BLK-CLIP | GC | PLR | CPA | M | R | | | | | | | | | | 10 | 11 | 12 | SALEABLE | | | | | |
| KEY A, BLACK, WITH CLIPSLOT, W/O CPA | 33472-1339 | A-BLK-CLIP | GC | PLR | | M | R | | | | 4 | 5 | 6 | 7 | 8 | 9 | | | | | | | | | |
| KEY A, BLACK, WITH CLIPSLOT, W/O CPA | 33472-1340 | A-BLK-CLIP | GC | PLR | | | | | | | | | | | | | | | | | | | | | |

MX150 RECEPTACLE 2X6 SEALED ASSEMBLY MAT SEAL
BOM AND PIN OUT SHEET

| ASSEMBLY DESCRIPTION | ASSEMBLY PART NUMBER | COMPONENT | | | | | | BLOCKED TERMINALS | | | | | | | | | | | | STATUS | COMMENTS | OPTIONAL ATTACHMENTS SOLD SEPERATELY | | | |
|---|----------------------|---|-------------|-----|-----|----------|-----------|--|---|---|---|---|---|---|---|----|----|----|-----------------|--------------------|----------|--------------------------------------|------------------------|--|--|
| | | THE PRESENCE OF AN ABBREVIATION INDICATES THE PRESENCE OF THAT COMPONENT. | | | | | | CAVITY WITH A NUMBER INDICATES BLOCKED TERMINAL POSITION CAVITY WITHOUT A NUMBER INDICATES OPEN TERMINAL POSITION | | | | | | | | | | | | | | BACKSHELL WITH RIBS | BACKSHELL WITHOUT RIBS | | |
| | | HOUSING KEY/COLOR | GROMMET CAP | PLR | CPA | MAT SEAL | RING SEAL | 1 | 2 | 3 | 4 | 5 | 6 | 7 | 8 | 9 | 10 | 11 | 12 | | | | | | |
| KEY A, BLACK, WITH CLIPSLOT, W/O CPA | 33472-1354 | A-BLK-CLIP | GC | PLR | | M | R | 1 | 2 | 3 | 4 | 5 | | 8 | 9 | 10 | 11 | 12 | SALEABLE | | | | | | |
| KEY A, BLACK, WITH CLIPSLOT, W/O CPA | 33472-1355 | A-BLK-CLIP | GC | PLR | | M | R | 1 | 2 | 3 | 4 | 5 | | | | | | 12 | SALEABLE | | | | | | |
| KEY A, BLACK, WITH CLIPSLOT, W/O CPA | 33472-1356 | A-BLK-CLIP | GC | PLR | | M | R | | | 3 | 4 | 5 | | | | | | | SALEABLE | | | | | | |
| KEY A, BLACK, WITH CLIPSLOT, W/O CPA | 33472-1357 | A-BLK-CLIP | GC | PLR | | M | R | | | 3 | 4 | 5 | 6 | 7 | 8 | 9 | 10 | 11 | SALEABLE | | | | | | |
| KEY A, BLACK, WITH CLIPSLOT, W/O CPA | 33472-1358 | A-BLK-CLIP | GC | PLR | | M | R | | 2 | 3 | | | | 8 | 9 | 10 | 11 | 12 | SALEABLE | | | | | | |
| KEY A, BLACK, WITH CLIPSLOT, W/CPA | 33472-1359 | A-BLK-CLIP | GC | PLR | CPA | M | R | | | | | 5 | | 8 | 9 | | 11 | | SALEABLE | | | | | | |
| KEY A, BLACK, WITH CLIPSLOT, W/O CPA | 33472-1360 | A-BLK-CLIP | GC | PLR | | M | R | | 2 | 3 | | | | 8 | 9 | | | | SALEABLE | | | | | | |
| KEY A, BLACK, WITH CLIPSLOT, W/O CPA | 33472-1361 | A-BLK-CLIP | GC | PLR | | M | R | 1 | 2 | 3 | | | | | | | 11 | 12 | SALEABLE | | | | | | |
| KEY A, BLACK, WITH CLIPSLOT, W/O CPA | 33472-1362 | A-BLK-CLIP | GC | PLR | | M | R | 1 | 2 | 3 | 4 | | 6 | | 8 | | 10 | 11 | 12 | SALEABLE | | | | | |
| KEY A, BLACK, WITH CLIPSLOT, W/O CPA | 33472-1363 | A-BLK-CLIP | GC | PLR | | M | R | | 2 | | 4 | | 6 | | 8 | | 10 | 11 | 12 | SALEABLE | | | | | |
| KEY A, BLACK, WITH CLIPSLOT, W/O CPA | 33472-1364 | A-BLK-CLIP | GC | PLR | | M | R | | | | | | | | | | 11 | 12 | SALEABLE | | | | | | |
| KEY A, BLACK, WITH CLIPSLOT, W/O CPA | 33472-1365 | A-BLK-CLIP | GC | PLR | | M | R | 1 | 2 | 3 | 4 | 5 | 6 | | 9 | | | | SALEABLE | | | | | | |
| KEY A, BLACK, WITH CLIPSLOT, W/O CPA | 33472-1366 | A-BLK-CLIP | GC | PLR | | M | R | | | | | | 6 | | 9 | | | | SALEABLE | | | | | | |
| KEY A, BLACK, WITH CLIPSLOT, W/O CPA | 33472-1367 | A-BLK-CLIP | GC | PLR | | M | R | | 2 | | | | | 7 | 8 | 9 | | | SALEABLE | | | | | | |
| KEY A, BLACK, WITH CLIPSLOT, W/O CPA | 33472-1368 | A-BLK-CLIP | GC | PLR | | M | R | | | 3 | 4 | 5 | 6 | 7 | | | | | SALEABLE | | | | | | |
| KEY A, BLACK, WITH CLIPSLOT, W/O CPA | 33472-1369 | A-BLK-CLIP | GC | PLR | | M | R | 1 | 2 | 3 | 4 | 5 | 6 | 7 | | | | 12 | SALEABLE | | | | | | |
| KEY A, BLACK, WITH CLIPSLOT, W/O CPA | 33472-1370 | A-BLK-CLIP | GC | PLR | | M | R | 1 | 2 | 3 | 4 | 5 | | 7 | 8 | 9 | 10 | 11 | SALEABLE | | | | | | |
| KEY A, BLACK, WITH CLIPSLOT, W/O CPA | 33472-1371 | A-BLK-CLIP | GC | PLR | | M | R | | 2 | | 4 | | 6 | | 8 | | 10 | 11 | SALEABLE | | | | | | |
| KEY A, BLACK, WITH CLIPSLOT, W/O CPA | 33472-1372 | A-BLK-CLIP | GC | PLR | | M | R | | | | | | | 8 | | | | | SALEABLE | | | | | | |
| KEY A, BLACK, WITH CLIPSLOT, W/O CPA | 33472-1373 | A-BLK-CLIP | GC | PLR | | M | R | 1 | | 3 | 4 | 5 | 6 | 7 | 8 | | 10 | 11 | 12 | SALEABLE | | | | | |
| KEY A, BLACK, WITH CLIPSLOT, W/O CPA | 33472-1374 | A-BLK-CLIP | GC | PLR | | M | R | | | | | | 6 | | 9 | | 10 | 11 | 12 | SALEABLE | | | | | |
| KEY A, BLACK, WITH CLIPSLOT, W/O CPA | 33472-1375 | A-BLK-CLIP | GC | PLR | | M | R | | | | | | | | | | | 12 | SALEABLE | | | | | | |
| KEY A, BLACK, WITH CLIPSLOT, W/O CPA | 33472-1376 | A-BLK-CLIP | GC | PLR | | M | R | | | | | | 6 | | | | | 12 | SALEABLE | | | | | | |
| KEY A, BLACK, WITH CLIPSLOT, W/O CPA | 33472-1377 | A-BLK-CLIP | GC | PLR | | M | R | 1 | 2 | | | 5 | 6 | 7 | 8 | | 11 | 12 | SALEABLE | | | | | | |
| KEY A, BLACK, WITH CLIPSLOT, W/O CPA | 33472-1378 | A-BLK-CLIP | GC | PLR | | M | R | | | | | | | | 9 | | | | SALEABLE | | | | | | |
| KEY A, BLACK, WITH CLIPSLOT, W/O CPA | 33472-1379 | A-BLK-CLIP | GC | PLR | | M | R | | | 3 | 4 | | | | 9 | 10 | 11 | 12 | SALEABLE | | | | | | |
| KEY A, BLACK, WITH CLIPSLOT, W/O CPA | 33472-1380 | A-BLK-CLIP | GC | PLR | | M | R | 1 | 2 | 3 | 4 | 5 | 6 | 7 | 8 | 9 | | 12 | SALEABLE | | | | | | |
| KEY A, BLACK, WITH CLIPSLOT, W/O CPA | 33472-1381 | A-BLK-CLIP | GC | PLR | | M | R | 1 | 2 | | | 5 | 6 | 7 | 8 | | | | SALEABLE | | | | | | |
| KEY A, BLACK, WITH CLIPSLOT, W/O CPA | 33472-1382 | A-BLK-CLIP | GC | PLR | | M | R | | | | 4 | | | | | 10 | | | SALEABLE | | | | | | |
| KEY A, BLACK, WITH CLIPSLOT, W/O CPA | 33472-1383 | A-BLK-CLIP | GC | PLR | | M | R | 1 | 2 | 3 | 4 | 5 | 6 | | 9 | 10 | 11 | 12 | SALEABLE | | | | | | |
| KEY A, BLACK, WITH CLIPSLOT, W/O CPA | 33472-1384 | A-BLK-CLIP | GC | PLR | | M | R | 1 | | 4 | | | | | | 11 | | | SALEABLE | | | | | | |
| KEY A, BLACK, WITH CLIPSLOT, W/O CPA | 33472-1385 | A-BLK-CLIP | GC | PLR | | M | R | | | | | | | | 9 | 10 | 11 | 12 | SALEABLE | | | | | | |
| KEY A, BLACK, WITH CLIPSLOT, W/O CPA | 33472-1386 | A-BLK-CLIP | GC | PLR | | M | R | 1 | 2 | 3 | 4 | 5 | 6 | 7 | 8 | | | 12 | SALEABLE | | | | | | |
| KEY A, BLACK, WITH CLIPSLOT, W/O CPA | 33472-1387 | A-BLK-CLIP | GC | PLR | | M | R | 1 | 2 | | | | 6 | 7 | 8 | | | 12 | SALEABLE | | | | | | |
| KEY A, BLACK, WITH CLIPSLOT, W/O CPA | 33472-1388 | A-BLK-CLIP | GC | PLR | | M | R | 1 | 2 | | | | | 7 | 8 | | | 12 | SALEABLE | | | | | | |
| KEY A, BLACK, WITH CLIPSLOT, W/O CPA | 33472-1389 | A-BLK-CLIP | GC | PLR | | M | R | 1 | | | | | 6 | 7 | 8 | | | 12 | SALEABLE | | | | | | |
| KEY A, BLACK, WITH CLIPSLOT, W/O CPA | 33472-1390 | A-BLK-CLIP | GC | PLR | | M | R | | | | | | | 7 | 8 | | | 12 | SALEABLE | | | | | | |
| KEY A, BLACK, WITH CLIPSLOT, W/O CPA | 33472-1391 | A-BLK-CLIP | GC | PLR | | M | R | | 2 | | 4 | | | 7 | 8 | 9 | 10 | | SALEABLE | | | | | | |
| KEY A, BLACK, WITH CLIPSLOT, W/O CPA | 33472-1392 | A-BLK-CLIP | GC | PLR | | M | R | | | | 3 | | 5 | 6 | 7 | 8 | 9 | 10 | 11 | 12 | SALEABLE | | | | |
| KEY A, BLACK, WITH CLIPSLOT, W/O CPA | 33472-1393 | A-BLK-CLIP | GC | PLR | | M | R | | | 3 | | | | 7 | 8 | 9 | 10 | 11 | 12 | SALEABLE | | | | | |
| KEY A, BLACK, WITH CLIPSLOT, W/O CPA | 33472-1394 | A-BLK-CLIP | GC | PLR | | M | R | | | | | | | | | 10 | 11 | 12 | SALEABLE | | | | | | |
| KEY A, BLACK, WITH CLIPSLOT, W/O CPA | 33472-1395 | A-BLK-CLIP | GC | PLR | | M | R | 1 | 2 | 3 | 4 | | 6 | 7 | 8 | 9 | 10 | 11 | 12 | SALEABLE | | | | | |
| KEY A, BLACK, WITH CLIPSLOT, W/O CPA | 33472-1396 | A-BLK-CLIP | GC | PLR | | M | R | 1 | 2 | 3 | 4 | | | 7 | 8 | 9 | 10 | | SALEABLE | | | | | | |
| KEY A, BLACK, WITH CLIPSLOT, W/O CPA | 33472-1397 | A-BLK-CLIP | GC | PLR | | M | R | | | | | | 6 | 7 | 8 | 9 | 10 | 11 | 12 | SALEABLE | | | | | |
| KEY B, LIGHT GRAY, WITH CLIPSLOT, W/O CPA | 33472-1398 | B-LG-CLIP | GC | PLR | | M | R | | | | | | 6 | 7 | | | 10 | 11 | 12 | SALEABLE | | | | | |
| KEY B, LIGHT GRAY, WITH CLIPSLOT, W/O CPA | 33472-1399 | B-LG-CLIP | GC | PLR | | M | R | | | | | | 6 | 7 | | | 10 | 11 | 12 | SALEABLE | | | | | |
| KEY B, LIGHT GRAY, WITH CLIPSLOT, W/O CPA | 33472-1400 | B-LG-CLIP | GC | PLR | | M | R | 1 | 2 | 3 | 4 | 5 | 6 | 7 | | | 10 | 11 | 12 | SALEABLE | | | | | |
| KEY B, LIGHT GRAY, WITH CLIPSLOT, W/O CPA | 33472-1401 | B-LG-CLIP | GC | PLR | | M | R | 1 | 2 | 3 | 4 | 5 | 6 | | 9 | 10 | 11 | 12 | SALEABLE | | | | | | |
| KEY B, LIGHT GRAY, WITH CLIPSLOT, W/O CPA | 33472-1402 | B-LG-CLIP | GC | PLR | | M | R | | | | | | | | | | 11 | 12 | SALEABLE | | | | | | |
| KEY B, LIGHT GRAY, WITH CLIPSLOT, W/O CPA | 33472-1403 | B-LG-CLIP | GC | PLR | | M | R | | | | | | 5 | 6 | | 9 | 10 | 11 | 12 | SALEABLE | | | | | |
| KEY B, LIGHT GRAY, WITH CLIPSLOT, W/O CPA | 33472-1404 | B-LG-CLIP | GC | PLR | | M | R | | | | | 5 | 6 | | 9 | 10 | 11 | 12 | SALEABLE | | | | | | |
| KEY A, BLACK, WITH CLIPSLOT, W/O CPA | 33472-1405 | A-BLK-CLIP | GC | PLR | | M | R | | | | | | | 8 | 9 | 10 | 11 | 12 | SALEABLE | | | | | | |
| KEY A, BLACK, WITH CLIPSLOT, W/O CPA | 33472-1406 | A-BLK-CLIP | GC | PLR | | M | R | | | | | | | 8 | 9 | | 11 | | SALEABLE | | | | | | |
| KEY C, DARK GRAY, WITH CLIPSLOT, W/O CPA | 33472-1407 | C-DG-CLIP | GC | PLR | | M | R | | | | | | | | | | | | SALEABLE | | | | | | |
| KEY D, STONE GRAY, WITH CLIPSLOT, W/O CPA | 33472-1408 | D-SG-CLIP | GC | PLR | | M | R | | | | | | | | | | | | SALEABLE | | | | | | |
| KEY C, DARK GRAY, WITH CLIPSLOT, W/CPA | 33472-1409 | C-DG-CLIP | GC | PLR | CPA | M | R | | | | | | | | | | | | SALEABLE | | | | | | |
| KEY D, STONE GRAY, WITH CLIPSLOT, W/CPA | 33472-1410 | D-SG-CLIP | GC | PLR | CPA | M | R | | | | | | | | | | | | SALEABLE | | | | | | |
| KEY C, DARK GRAY, WITH CLIPSLOT, W/O CPA | 33472-1411 | C-DG-CLIP | GC | PLR | | M | R | 1 | 2 | 3 | 4 | 5 | 6 | 7 | 8 | 9 | 10 | 11 | 12 | SALEABLE | | | | | |
| KEY D, STONE GRAY, WITH CLIPSLOT, W/O CPA | 33472-1412 | D-SG-CLIP | GC | PLR | | M | R | 1 | 2 | 3 | 4 | 5 | 6 | 7 | 8 | 9 | 10 | 11 | 12 | SALEABLE | | | | | |
| KEY C, DARK GRAY, WITH CLIPSLOT, W/CPA | 33472-1413 | C-DG-CLIP | GC | PLR | CPA | M | R | 1 | 2 | 3 | 4 | 5 | 6 | 7 | 8 | 9 | 10 | 11 | 12 | SALEABLE | | | | | |
| KEY D, STONE GRAY, WITH CLIPSLOT, W/CPA | 33472-1414 | D-SG-CLIP | GC | PLR | CPA | M | R | 1 | 2 | 3 | 4 | 5 | 6 | 7 | 8 | 9 | 10 | 11 | 12 | SALEABLE | | | | | |
| KEY A, BLACK, WITH CLIPSLOT, W/O CPA | 33472-1415 | A-BLK-CLIP | GC | PLR | | M | R | 1 | 2 | 3 | | | | 8 | 9 | 10 | 11 | 12 | SALEABLE | | | | | | |
| KEY A, BLACK, WITH CLIPSLOT, W/O CPA | 33472-1416 | A-BLK-CLIP | GC | PLR | | M | R | | | | | 5 | 6 | 7 | 8 | 9 | 10 | 11 | 12 | SALEABLE | | | | | |
| KEY A, BLACK, WITH CLIPSLOT, W/O CPA | 33472-1417 | A-BLK-CLIP | GC | PLR | | M | R | | 2 | 3 | | | | 6 | 7 | 8 | 9 | 10 | 11 | 12 | SALEABLE | | | | |
| KEY A, BLACK, WITH CLIPSLOT, W/O CPA | 33472-1418 | A-BLK-CLIP | GC | PLR | | M | R | | | 3 | 4 | 5 | 6 | 7 | 8 | 9 | 10 | 11 | SALEABLE | | | | | | |
| KEY A, BLACK, WITH CLIPSLOT, W/O CPA | 33472-1419 | A-BLK-CLIP | GC | PLR | | M | R | | | | | | | 8 | 9 | | | | SALEABLE | | | | | | |
| KEY A, BLACK, WITH CLIPSLOT, W/O CPA | 33472-1420 | A-BLK-CLIP | GC | PLR | | M | R | | | | 3 | 4 | 5 | 6 | 7 | 8 | 9 | 10 | 11 | 12 | SALEABLE | | | | |
| KEY A, BLACK, WITH CLIPSLOT, W/O CPA | 33472-1421 | A-BLK-CLIP | GC | PLR | | M | R | 1 | 2 | | | | | | | | | | SALEABLE | | | | | | |
| KEY A, BLACK, WITH CLIPSLOT, W/O CPA | 33472-1422 | A-BLK-CLIP | GC | PLR | | M | R | 1 | 2 | 3 | 4 | 5 | 6 | 7 | 8 | | | | SALEABLE | | | | | | |
| KEY A, BLACK, WITH CLIPSLOT, W/O CPA | 33472-1423 | A-BLK-CLIP | GC | PLR | | M | R | 1 | 2 | 3 | 4 | 5 | 6 | 7 | 8 | 9 | | | SALEABLE | | | | | | |
| KEY A, BLACK, WITH CLIPSLOT, W/O CPA | 33472-1424 | A-BLK-CLIP | GC | PLR | | M | R | 1 | 2 | 3 | | | | 6 | 7 | 8 | | 10 | 11 | 12 | SALEABLE | | | | |
| KEY A, BLACK, WITH CLIPSLOT, W/O CPA | 33472-1425 | A-BLK-CLIP | GC | PLR | | M | R | | | | 4 | | | | | | 10 | | SALEABLE | | | | | | |
| KEY A, BLACK, WITH CLIPSLOT, W/O CPA | 33472-1426 | A-BLK-CLIP | GC | PLR | | M | R | 1 | | | | | | 8 | | | 10 | 11 | SALEABLE | | | | | | |
| KEY A, BLACK, WITH CLIPSLOT, W/O CPA | 33472-1427 | A-BLK-CLIP | GC | PLR | | M | R | 1 | 2 | | | 5 | 6 | | | | | | NOT RECOMMENDED | SEE P/N 33472-1433 | | | | | |
| KEY A, BLACK, WITH CLIPSLOT, W/O CPA | 33472-1428 | A-BLK-CLIP | GC | PLR | | M | R | | | | | | | | | | | | | | | | | | |

MX150 RECEPTACLE 2X6 SEALED ASSEMBLY MAT SEAL
BOM AND PIN OUT SHEET

| ASSEMBLY DESCRIPTION | ASSEMBLY PART NUMBER | COMPONENT | | | | | | BLOCKED TERMINALS | | | | | | | | | | | | STATUS | COMMENTS | OPTIONAL ATTACHMENTS SOLD SEPERATELY | |
|---|----------------------|---|-------------|-----|-----|----------|-----------|--|---|---|---|---|---|---|----|----|----|----|----------|--------------------|----------|--------------------------------------|------------------------|
| | | THE PRESENCE OF AN ABBREVIATION INDICATES THE PRESENCE OF THAT COMPONENT. | | | | | | CAVITY WITH A NUMBER INDICATES BLOCKED TERMINAL POSITION CAVITY WITHOUT A NUMBER INDICATES OPEN TERMINAL POSITION | | | | | | | | | | | | | | BACKSHELL WITH RIBS | BACKSHELL WITHOUT RIBS |
| | | HOUSING KEY/COLOR | GROMMET CAP | PLR | CPA | MAT SEAL | RING SEAL | 1 | 2 | 3 | 4 | 5 | 6 | 7 | 8 | 9 | 10 | 11 | 12 | | | | |
| KEY A, BLACK, WITH CLIPSLOT, W/O CPA | 33472-1534 | A-BLK-CLIP | GC | PLR | | M | R | | 2 | 3 | | | | | 9 | | | | SALEABLE | | | | |
| KEY A, BLACK, WITH CLIPSLOT, W/O CPA | 33472-1535 | A-BLK-CLIP | GC | PLR | | M | R | | | | | | | 8 | | 10 | 11 | | SALEABLE | | | | |
| KEY A, BLACK, WITH CLIPSLOT, W/O CPA | 33472-1536 | A-BLK-CLIP | GC | PLR | | M | R | 1 | | 3 | | 5 | | 8 | | 10 | 11 | | SALEABLE | | | | |
| KEY A, BLACK, W/O CPA | 33472-1537 | A-BLK | GC | PLR | | M | R | 1 | | | | 6 | 7 | 8 | 9 | 10 | | | SALEABLE | | | | |
| KEY A, BLACK, WITH CLIPSLOT, W/O CPA | 33472-1538 | A-BLK-CLIP | GC | PLR | | M | R | | | | | | 7 | 8 | 9 | 10 | | | SALEABLE | | | | |
| KEY B, LIGHT GRAY, W/O CPA | 33472-1539 | B-LG | GC | PLR | | M | R | | | | | | 7 | 8 | 9 | | 12 | | SALEABLE | | | | |
| KEY A, BLACK, WITH CLIPSLOT, W/O CPA | 33472-1540 | A-BLK-CLIP | GC | PLR | | M | R | 1 | | | | 6 | 7 | 8 | 9 | 10 | | | SALEABLE | | | | |
| KEY A, BLACK, WITH CLIPSLOT, W/O CPA | 33472-1541 | A-BLK-CLIP | GC | PLR | | M | R | 1 | | | 4 | 6 | 7 | 8 | 9 | 10 | 11 | | SALEABLE | | | | |
| KEY A, BLACK, WITH CLIPSLOT, W/O CPA | 33472-1542 | A-BLK-CLIP | GC | PLR | | M | R | 1 | 2 | 3 | | 5 | 6 | 7 | 8 | 9 | 10 | 12 | SALEABLE | | | | |
| KEY A, BLACK, WITH CLIPSLOT, W/O CPA | 33472-1543 | A-BLK-CLIP | GC | PLR | | M | R | | 2 | | 4 | 6 | 7 | 8 | 9 | 10 | 11 | 12 | SALEABLE | | | | |
| KEY A, BLACK, WITH CLIPSLOT, W/O CPA | 33472-1544 | A-BLK-CLIP | GC | PLR | | M | R | | | 3 | 4 | | | | 9 | 10 | 11 | 12 | SALEABLE | | | | |
| KEY A, BLACK, WITH CLIPSLOT, W/O CPA | 33472-1545 | A-BLK-CLIP | GC | PLR | | M | R | | | 3 | 4 | | | | | | 11 | 12 | SALEABLE | | | | |
| KEY A, BLACK, WITH CLIPSLOT, W/O CPA | 33472-1546 | A-BLK-CLIP | GC | PLR | | M | R | 1 | 2 | | | 5 | 6 | 7 | 8 | 9 | 10 | | SALEABLE | | | | |
| KEY A, BLACK, WITH CLIPSLOT, W/O CPA | 33472-1547 | A-BLK-CLIP | GC | PLR | | M | R | | | | | | | | 9 | 10 | | | SALEABLE | | | | |
| KEY A, BLACK, W/CPA | 33472-1548 | A-BLK | GC | PLR | CPA | M | R | | | | | 5 | | | | | | | SALEABLE | | | | |
| KEY A, BLACK, W/CPA | 33472-1549 | A-BLK | GC | PLR | CPA | M | R | | | | | 6 | | | | | | | SALEABLE | | | | |
| KEY A, BLACK, WITH CLIPSLOT, W/O CPA | 33472-1550 | A-BLK-CLIP | GC | PLR | | M | R | | | | | | | | | 10 | 11 | 12 | SALEABLE | | | | |
| KEY A, BLACK, WITH CLIPSLOT, W/O CPA | 33472-1551 | A-BLK-CLIP | GC | PLR | | M | R | | | | | | | | 9 | | | | SALEABLE | | | | |
| KEY A, BLACK, WITH CLIPSLOT, W/O CPA | 33472-1552 | A-BLK-CLIP | GC | PLR | | M | R | | 2 | | | | | 8 | 9 | 10 | 11 | 12 | SALEABLE | | | | |
| KEY A, BLACK, WITH CLIPSLOT, W/O CPA | 33472-1553 | A-BLK-CLIP | GC | PLR | | M | R | | 2 | | | | | 8 | 9 | | | | SALEABLE | | | | |
| KEY A, BLACK, W/O CPA | 33472-1554 | A-BLK | GC | PLR | | M | R | | | | | | 7 | 8 | 9 | 10 | 11 | 12 | SALEABLE | SEE P/N 33472-1484 | | | |
| KEY A, BLACK, W/CPA | 33472-1555 | A-BLK | GC | PLR | CPA | M | R | | | | | | 7 | 8 | 9 | 10 | 11 | 12 | SALEABLE | | | | |
| KEY A, BLACK, WITH CLIPSLOT, W/O CPA | 33472-1556 | A-BLK-CLIP | GC | PLR | | M | R | | | | | 5 | | | | 10 | 11 | | SALEABLE | | | | |
| KEY A, BLACK, WITH CLIPSLOT, W/O CPA | 33472-1557 | A-BLK-CLIP | GC | PLR | | M | R | 1 | | | 4 | 5 | | 8 | | 10 | 11 | 12 | SALEABLE | | | | |
| KEY A, BLACK, WITH CLIPSLOT, W/O CPA | 33472-1558 | A-BLK-CLIP | GC | PLR | | M | R | 1 | 2 | 3 | 4 | | | | 9 | 10 | 11 | 12 | SALEABLE | | | | |
| KEY A, BLACK, WITH CLIPSLOT, W/CPA | 33472-1559 | A-BLK-CLIP | GC | PLR | CPA | M | R | 1 | 2 | 3 | 4 | 5 | 6 | 7 | 8 | | | | SALEABLE | | | | |
| KEY A, BLACK, WITH CLIPSLOT, W/O CPA | 33472-1560 | A-BLK-CLIP | GC | PLR | | M | R | | 2 | | | | | | | 10 | 11 | 12 | SALEABLE | | | | |
| KEY A, BLACK, WITH CLIPSLOT, W/O CPA | 33472-1561 | A-BLK-CLIP | GC | PLR | | M | R | | | | | | | | 10 | | | | SALEABLE | | | | |
| KEY A, BLACK, W/O CPA | 33472-1562 | A-BLK | GC | PLR | | M | R | 1 | | | | 5 | 6 | 7 | 8 | | | 12 | SALEABLE | | | | |
| KEY A, BLACK, W/O CPA | 33472-1563 | A-BLK | GC | PLR | | M | R | 1 | 2 | 3 | | 5 | 6 | 7 | 8 | | 10 | 11 | 12 | SALEABLE | | | |
| KEY A, BLACK, WITH CLIPSLOT, W/O CPA | 33472-1564 | A-BLK-CLIP | GC | PLR | | M | R | | | | | | | 7 | 8 | 9 | | 12 | SALEABLE | | | | |
| KEY B, LIGHT GRAY, WITH CLIPSLOT, W/O CPA | 33472-1565 | B-LG-CLIP | GC | PLR | | M | R | | | | | 5 | | | 8 | 9 | 10 | | SALEABLE | | | | |
| KEY B, LIGHT GRAY, WITH CLIPSLOT, W/O CPA | 33472-1566 | B-LG-CLIP | GC | PLR | | M | R | | | | | | | | 8 | | | | SALEABLE | | | | |
| KEY A, BLACK, WITH CLIPSLOT, W/O CPA | 33472-1567 | A-BLK-CLIP | GC | PLR | | M | R | | | | 4 | 5 | | 7 | 8 | 9 | 10 | 11 | 12 | SALEABLE | | | |
| KEY A, BLACK, W/CPA | 33472-1568 | A-BLK | GC | PLR | CPA | M | R | | | | | | | | 8 | | | | SALEABLE | | | | |
| KEY A, BLACK, W/CPA | 33472-1569 | A-BLK | GC | PLR | CPA | M | R | 1 | 2 | 3 | 4 | | 6 | | 8 | 9 | 10 | 11 | 12 | SALEABLE | | | |
| KEY A, BLACK, W/CPA | 33472-1570 | A-BLK | GC | PLR | CPA | M | R | 1 | 2 | 3 | | | 6 | | 8 | | | 11 | 12 | SALEABLE | | | |
| KEY A, BLACK, WITH CLIPSLOT, W/O CPA | 33472-1571 | A-BLK-CLIP | GC | PLR | | M | R | | | | 4 | 5 | | 7 | 8 | | 10 | 11 | 12 | SALEABLE | | | |
| KEY A, BLACK, W/O CPA | 33472-1572 | A-BLK | GC | PLR | | M | R | | 2 | 3 | | | 5 | 6 | 7 | 8 | | | SALEABLE | | | | |
| KEY A, BLACK, W/O CPA | 33472-1573 | A-BLK | GC | PLR | | M | R | 1 | | | 4 | | | | | 9 | 10 | 11 | 12 | SALEABLE | | | |
| KEY A, BLACK, W/O CPA | 33472-1574 | A-BLK | GC | PLR | | M | R | | | | 4 | 5 | | | | | | | SALEABLE | | | | |
| KEY A, BLACK, W/O CPA | 33472-1575 | A-BLK | GC | PLR | | M | R | | | | | | | | | 10 | 11 | 12 | SALEABLE | | | | |

