



Chipsmall Limited consists of a professional team with an average of over 10 year of expertise in the distribution of electronic components. Based in Hongkong, we have already established firm and mutual-benefit business relationships with customers from,Europe,America and south Asia,supplying obsolete and hard-to-find components to meet their specific needs.

With the principle of “Quality Parts,Customers Priority,Honest Operation,and Considerate Service”,our business mainly focus on the distribution of electronic components. Line cards we deal with include Microchip,ALPS,ROHM,Xilinx,Pulse,ON,Everlight and Freescale. Main products comprise IC,Modules,Potentiometer,IC Socket,Relay,Connector.Our parts cover such applications as commercial,industrial, and automotives areas.

We are looking forward to setting up business relationship with you and hope to provide you with the best service and solution. Let us make a better world for our industry!



## Contact us

Tel: +86-755-8981 8866 Fax: +86-755-8427 6832

Email & Skype: info@chipsmall.com Web: www.chipsmall.com

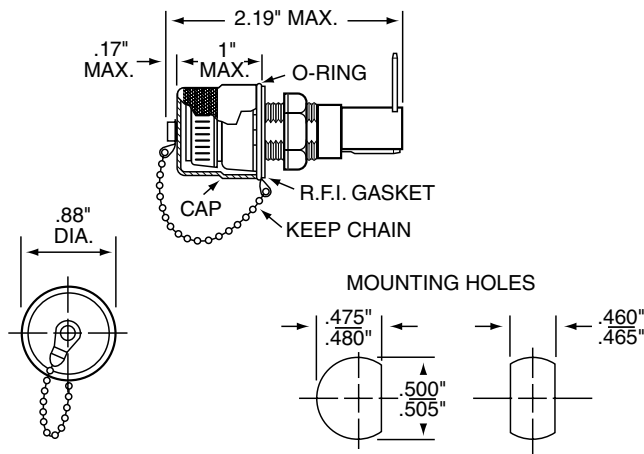
Address: A1208, Overseas Decoration Building, #122 Zhenhua RD., Futian, Shenzhen, China



## 340 Series RF Shielded / Watertight Panel Mount Fuse Holders for 3AB/3AG Fuses



### Dimensions



### Additional Information



**Datasheet**



**Resources**




**Samples**

### Product Characteristics

Compatible Fuses	For 3AG and 3AB Fuses
<b>Description</b>	Radio frequency shielded fuseholders eliminate possible transmission or reception of RF signals through the hole in the chassis in which the fuseholder is mounted. These fuseholders comply with the watertight construction requirement of MIL-PRF-19207 and the Shock-Safe requirements of IEC 60127-6. A rubber O-ring and conductive gasket maintain RF shielding and watertight construction.
<b>Electrical</b>	Rated at 20 amperes for any voltage up to 300 volts.
<b>Ambient Temperature</b>	-40°C to +85°C.
<b>Dielectric Strength</b>	4000 volts minimum.
<b>Insulation Resistance</b>	10,000 megohm minimum at 500 V.
<b>Contact Resistance</b>	Less than .005 ohms average at currents up to 1 amp.
<b>Mounting</b>	Withstand 15 Lb-in mounting torque. Maximum panel thickness is 0.31"
<b>Molded Parts</b>	Body material: Thermoplastic
<b>Knob Material</b>	Thermoplastic
<b>Terminals</b>	Brass. Tin plated, accept solder or .187" female connector.

\* Ensure that proper fuse re-rating is factored in fuseholder selection.

### Agency Approvals

Agency	Agency File Number
	7316

### Ordering Information

Catalog Number	Brass Shielding Cap Finish
<b>340 312</b>	Nickel plated
<b>340 313</b>	Dull Black