



Chipsmall Limited consists of a professional team with an average of over 10 year of expertise in the distribution of electronic components. Based in Hongkong, we have already established firm and mutual-benefit business relationships with customers from,Europe,America and south Asia,supplying obsolete and hard-to-find components to meet their specific needs.

With the principle of “Quality Parts,Customers Priority,Honest Operation,and Considerate Service”,our business mainly focus on the distribution of electronic components. Line cards we deal with include Microchip,ALPS,ROHM,Xilinx,Pulse,ON,Everlight and Freescale. Main products comprise IC,Modules,Potentiometer,IC Socket,Relay,Connector.Our parts cover such applications as commercial,industrial, and automotives areas.

We are looking forward to setting up business relationship with you and hope to provide you with the best service and solution. Let us make a better world for our industry!



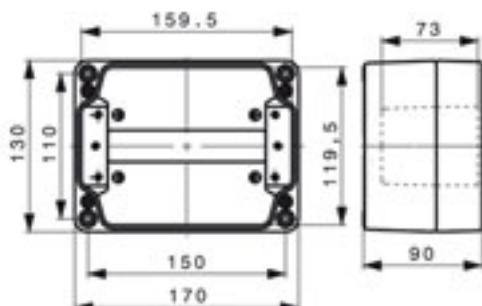
Contact us

Tel: +86-755-8981 8866 Fax: +86-755-8427 6832

Email & Skype: info@chipsmall.com Web: www.chipsmall.com

Address: A1208, Overseas Decoration Building, #122 Zhenhua RD., Futian, Shenzhen, China





General ordering data

Order No.	0342400000
Part designation	KLIPPON K5
Version	Housings, 90 mm, 130 mm, 170 mm, Aluminium alloy (AlSi12)
EAN	4008190075811
Qty.	1 pc(s).

Dimensions

Fixing dimension, width	150 mm
Height	90 mm
Length	130 mm
Width	170 mm

General details

Cover fixing	M5 screws, captive
Enclosure fixing	Holes 6 mm
Integral fixing	Threaded holes M5
Resistance to shocks	10 J
Sealing material	Neoprene
Version cover	closed
Surface finish	untreated
Class of protection to EN 60529	IP 66 and IP 67
Weight	1,540 g
Ambient temperature, min.	-30 °C
Ambient temperature, max.	80 °C

Screwed cable glands top/bottom

M 12	11
M 16	8
M 20	4
M 25	3
M 32	2
Side of enclosure	Top / Bottom

Screwed cable glands, left/right

M12	4
M16	2
M20	1
M25	1
M32	1
On housing side	left / right

Approvals

Approvals institutes



Classifications

ETIM 2.0	EC000058
ETIM 3.0	EC000058
eClass 4.1	27-14-12-06
eClass 5.0	27-14-91-07
eClass 5.1	27-14-91-07

Similar products

Order No.	Part designation	Version
9529210000	KLIPPON K5 RAL7001	Housings, 90 mm, 130 mm, 170 mm, Aluminium alloy (AlSi12)