



Chipsmall Limited consists of a professional team with an average of over 10 year of expertise in the distribution of electronic components. Based in Hongkong, we have already established firm and mutual-benefit business relationships with customers from,Europe,America and south Asia,supplying obsolete and hard-to-find components to meet their specific needs.

With the principle of "Quality Parts,Customers Priority,Honest Operation,and Considerate Service",our business mainly focus on the distribution of electronic components. Line cards we deal with include Microchip,ALPS,ROHM,Xilinx,Pulse,ON,Everlight and Freescale. Main products comprise IC,Modules,Potentiometer,IC Socket,Relay,Connector.Our parts cover such applications as commercial,industrial, and automotives areas.

We are looking forward to setting up business relationship with you and hope to provide you with the best service and solution. Let us make a better world for our industry!



Contact us

Tel: +86-755-8981 8866 Fax: +86-755-8427 6832

Email & Skype: info@chipsmall.com Web: www.chipsmall.com

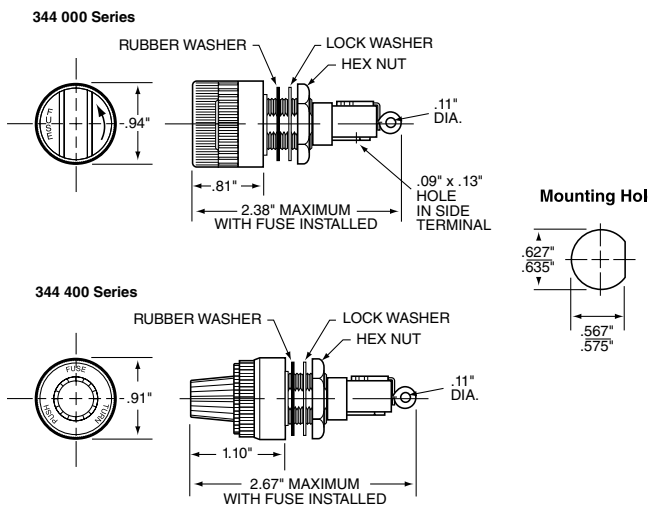
Address: A1208, Overseas Decoration Building, #122 Zhenhua RD., Futian, Shenzhen, China



344 Series Blown Fuse Indicating Holders for 3AG and 3AB Fuses



Dimensions



Additional Information




Product Characteristics

Compatible Fuses	3AG 3AB
Electrical	Rated at 20 amperes at lamp voltage shown below. Dielectric: withstanding voltage exceeds 1500 volts. All fuseholders are supplied with a resistor. When designing indicating type fuseholders into a circuit, consideration should be given to the resistance of fractional amperage fuses and the parallel resistance of the indicator lamp and 7its resistor.
Mounting	Withstands 15 lb.-in. mounting torque. Maximum panel thickness is .250"
Molded Parts	Black Body and knob are thermoset (UL94 V-0), except lens is thermoplastic (UL 94HB). See Table below for lens color.
Knob	Bayonet style.
Terminals	Copper & copper alloy. Tin plated.
Ambient Temperature	-40°C to +85°C.
Hardware	Neoprene washer, lockwasher & hex nut unassembled. O-ring option available must be ordered separately using part number 901-108.

* Ensure that proper re-rating is factored in fuseholder selection.

Agency Approvals

Agency	Agency File Number
	E14721

Ordering Information

Catalog Number		Voltage Range	Lamp Type Rating	Lamp Current Rear Panel	Lens Color
344 000 Series (Bar Knob)	344 400 Series (Round Knob)				
344 006	344 401	2.5 to 7	6V Incandescent	.20 amp	Amber
344 012	344 402	7 to 16	14V Incandescent	.08 amp	Amber
344 024	344 403	16 to 32	28V Incandescent	.04 amp	Amber
344 125	344 404	100 to 125	Neon	.002 amp	Clear
344 250	344 405	200 to 250	Neon	.002 amp	Clear