



Chipsmall Limited consists of a professional team with an average of over 10 year of expertise in the distribution of electronic components. Based in Hongkong, we have already established firm and mutual-benefit business relationships with customers from,Europe,America and south Asia,supplying obsolete and hard-to-find components to meet their specific needs.

With the principle of “Quality Parts,Customers Priority,Honest Operation,and Considerate Service”,our business mainly focus on the distribution of electronic components. Line cards we deal with include Microchip,ALPS,ROHM,Xilinx,Pulse,ON,Everlight and Freescale. Main products comprise IC,Modules,Potentiometer,IC Socket,Relay,Connector.Our parts cover such applications as commercial,industrial, and automotives areas.

We are looking forward to setting up business relationship with you and hope to provide you with the best service and solution. Let us make a better world for our industry!



Contact us

Tel: +86-755-8981 8866 Fax: +86-755-8427 6832

Email & Skype: info@chipsmall.com Web: www.chipsmall.com

Address: A1208, Overseas Decoration Building, #122 Zhenhua RD., Futian, Shenzhen, China



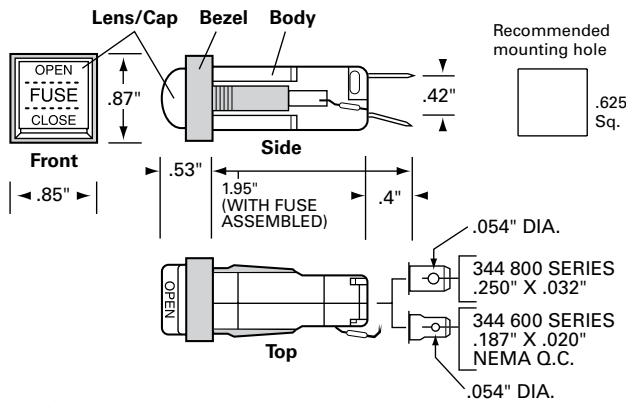
344/348 Series Blown Fuse Indicating / Low Profile Holders for 3AB/3AG Fuses



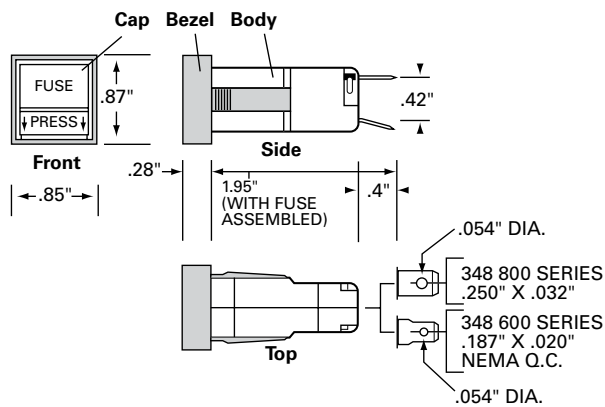
Note: Standard Body and Bezel color is black. Other Bezel colors are available as special order.

Dimensions

344 Series



348 Series



Product Characteristics	
Compatible Fuses	For 3AB/3AG Type Fuses
Features	Low profile design Blown fuse indicator
Electrical	348 Series: Rated at 15 amps for any voltage up to 250 volts. 344 Series: Rated at 15 amps at lamp voltage shown below.
Dielectric Strength	1500 volts minimum. When designing indicating type fuseholders into a circuit, consideration should be given to the resistance of fractional amperage fuses and the parallel resistance of the indicator lamp and its resistor.
Mounting	Panel thickness range: .031" through .125"
Molded Parts	Black thermoplastic body (UL94 V-0). Thermoplastic bezel, cap and lens (UL94 V-2). See tables below for colors.
Terminals	Brass. Tin-plated.
Ambient Temperature	Non-indicating: -40°C to +85°C. Indicating: -40°C to +60°C.
Fuse Installation	Insert a fuse into the cap and push the assembly into the body until it latches. Press in and down to unlatch for removal.

NOTE: Ensure that proper re-rating is factored in fuseholder selection.

Ordering Information

Catalog Number		Lamp Type	Lamp Voltage	Lamp Current	Resistor	Lens Color
3/16" O.C. Terminals	1/4" O.C. Terminals					
344 601	344 801	Incandescent	6	40 ma	No	Amber
344 602	344 802	Incandescent	14	80 ma	No	Amber
344 603	344 803	Incandescent	28	40 ma	No	Amber
344 604	344 804	Neon	120	1.2 ma	Yes	Clear
344 605	344 805	Neon	240	.3 ma	Yes	Clear

NOTE: Standard Body and Bezel color is black. Other Bezel colors may be available as special order. Please contact Littelfuse for additional information and detailed arrangements.

Catalog Number		Bezel Color	Cap Color
3/16" O.C. Terminals	1/4" O.C. Terminals		
348 671	348 871	Black	Red
348 677	348 877	Black	Black

NOTE: Standard Body and Bezel color is black. Other Bezel and Cap colors may be available as special order. Please contact Littelfuse for additional information and arrangements.

Additional Information



Datasheet 344 Series



Resources 344 Series



Samples 344 Series



Datasheet 348 Series



Resources 348 Series



Samples 348 Series