



Chipsmall Limited consists of a professional team with an average of over 10 year of expertise in the distribution of electronic components. Based in Hongkong, we have already established firm and mutual-benefit business relationships with customers from,Europe,America and south Asia,supplying obsolete and hard-to-find components to meet their specific needs.

With the principle of “Quality Parts,Customers Priority,Honest Operation,and Considerate Service”,our business mainly focus on the distribution of electronic components. Line cards we deal with include Microchip,ALPS,ROHM,Xilinx,Pulse,ON,Everlight and Freescale. Main products comprise IC,Modules,Potentiometer,IC Socket,Relay,Connector.Our parts cover such applications as commercial,industrial, and automotives areas.

We are looking forward to setting up business relationship with you and hope to provide you with the best service and solution. Let us make a better world for our industry!



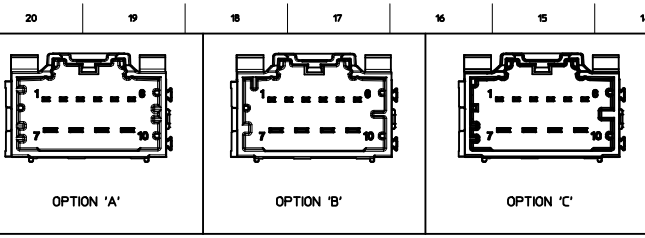
## Contact us

Tel: +86-755-8981 8866 Fax: +86-755-8427 6832

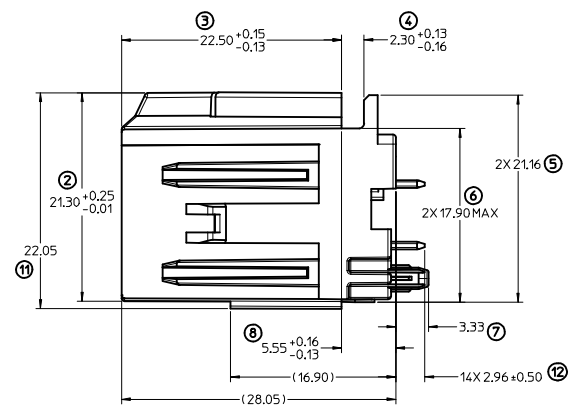
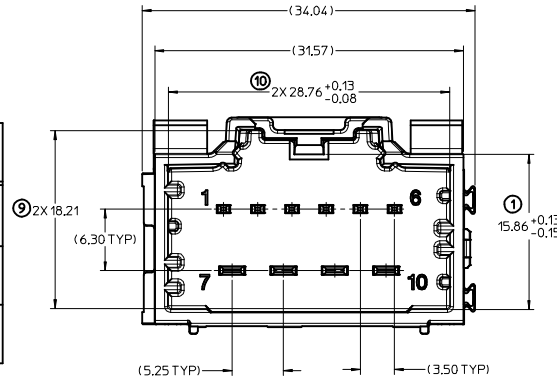
Email & Skype: info@chipsmall.com Web: www.chipsmall.com

Address: A1208, Overseas Decoration Building, #122 Zhenhua RD., Futian, Shenzhen, China

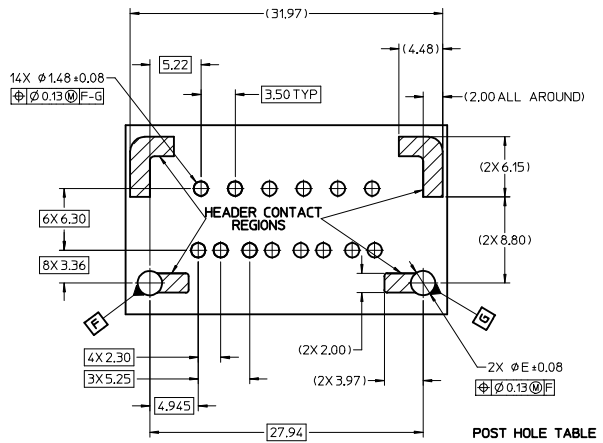




MATERIAL NUMBER		CKT SIZE	DESCRIPTION	POL	COLOR
TUBE PACK	TRAY PACK				
34695-9100	34695-0100	10	POWER STAC VERTICAL HEADER ASSEMBLY	A	BLACK
34695-9101	34695-0101	10	POWER STAC VERTICAL HEADER ASSEMBLY	B	GREY
34695-9102	34695-0102	10	POWER STAC VERTICAL HEADER ASSEMBLY	C	BROWN



RECOMMENDED PCB LAYOUT



POST HOLE TABLE

FOR DIM E:	
PRESS FIT	Ø2.60
DROP IN	Ø3.05

NOTES: VALID UNLESS OTHERWISE SPECIFIED  
1. GENERAL:

- a. CONNECTOR HEADER MUST BE VALIDATED TO THE FOLLOWING FUNCTIONAL REQUIREMENTS:  
PIN RETENTION - USCAR-2 REV 4  
SOLDERABILITY - SMES-152
  - b. APPLICATION REQUIREMENTS (REFERENCE ONLY) FOR:  
SEE APPLICATION SPECIFICATION - AS-34690-000  
SEE PRODUCT SPECIFICATION - PS-31372-100  
MATES WITH: SD-31372-900
  - c. PACKAGING SPECIFICATION PER MOLEX DRAWING PK-31300-892
2. DESIGN MATERIALS:
- a. SHROUD (PLASTIC HOUSING):  
RESIN - SPS 30%GF
  - b. 150mm BLADES:  
BASE MATERIAL: C19400  
PLATING TYPE: AS NOTED
  - c. 280mm BLADES:  
BASE MATERIAL: C19400  
PLATING TYPE: AS NOTED
3. PLATING REQUIREMENTS:
- a. UNDERPLATING - OVERALL NICKEL
  - b. OVERPLATING - OVERALL TIN

UPDATED DIMENSIONS EC NO: UAU2013-1619 DRAWN: FISCHER01 2013/04/15 CHKD: APPR: RBAUMAN 2013/04/26	QUALITY SYMBOLS	GENERAL TOLERANCES (UNLESS SPECIFIED)	DIMENSION STYLE	SCALE	DESIGN UNITS	THIRD ANGLE PROJECTION															
	$\nabla=0$ $\nabla=0$	<table border="1"> <thead> <tr> <th></th> <th>mm</th> <th>INCH</th> </tr> </thead> <tbody> <tr> <td>4 PLACES</td> <td>±---</td> <td>±---</td> </tr> <tr> <td>3 PLACES</td> <td>±---</td> <td>±---</td> </tr> <tr> <td>2 PLACES</td> <td>±0.13</td> <td>±---</td> </tr> <tr> <td>1 PLACE</td> <td>±0.25</td> <td>±---</td> </tr> </tbody> </table>		mm	INCH	4 PLACES	±---	±---	3 PLACES	±---	±---	2 PLACES	±0.13	±---	1 PLACE	±0.25	±---	MM ONLY	4:1	METRIC	
		mm	INCH																		
	4 PLACES	±---	±---																		
3 PLACES	±---	±---																			
2 PLACES	±0.13	±---																			
1 PLACE	±0.25	±---																			
DRAWN BY: MBAILEY CHECKED BY: EDILLON APPROVED BY:	<table border="1"> <thead> <tr> <th>DATE</th> <th>TITLE</th> </tr> </thead> <tbody> <tr> <td>10/02/06</td> <td>STAC64 SINGLE BAY VERT 10 CKT. HEADER ASSEMBLY SALES DRAWING</td> </tr> <tr> <td>04/18/07</td> <td></td> </tr> </tbody> </table>	DATE	TITLE	10/02/06	STAC64 SINGLE BAY VERT 10 CKT. HEADER ASSEMBLY SALES DRAWING	04/18/07															
DATE	TITLE																				
10/02/06	STAC64 SINGLE BAY VERT 10 CKT. HEADER ASSEMBLY SALES DRAWING																				
04/18/07																					
	DRAFT WHERE APPLICABLE MUST REMAIN WITHIN DIMENSIONS	MATERIAL NO. SEE CHART	DOCUMENT NO. SD-34695-100	SHEET NO. 1 OF 1	MOLEX INCORPORATED																

THIS DRAWING CONTAINS INFORMATION THAT IS PROPRIETARY TO MOLEX INCORPORATED AND SHOULD NOT BE USED WITHOUT WRITTEN PERMISSION