

Chipsmall Limited consists of a professional team with an average of over 10 year of expertise in the distribution of electronic components. Based in Hongkong, we have already established firm and mutual-benefit business relationships with customers from,Europe,America and south Asia,supplying obsolete and hard-to-find components to meet their specific needs.

With the principle of “Quality Parts,Customers Priority,Honest Operation,and Considerate Service”,our business mainly focus on the distribution of electronic components. Line cards we deal with include Microchip,ALPS,ROHM,Xilinx,Pulse,ON,Everlight and Freescale. Main products comprise IC,Modules,Potentiometer,IC Socket,Relay,Connector.Our parts cover such applications as commercial,industrial, and automotives areas.

We are looking forward to setting up business relationship with you and hope to provide you with the best service and solution. Let us make a better world for our industry!



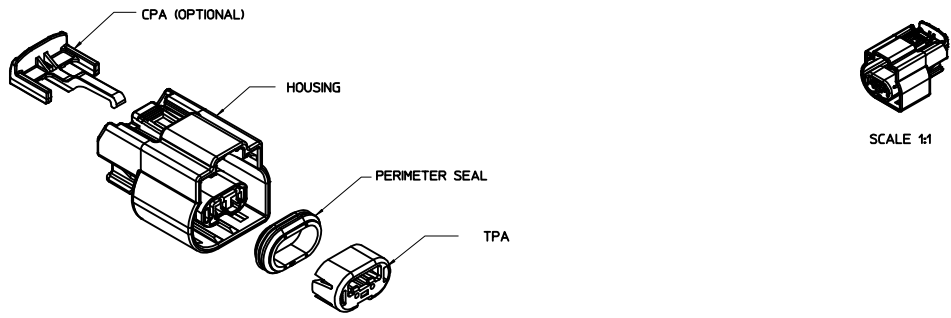
Contact us

Tel: +86-755-8981 8866 Fax: +86-755-8427 6832

Email & Skype: info@chipsmall.com Web: www.chipsmall.com

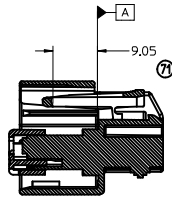
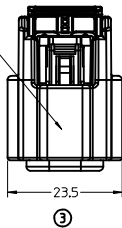
Address: A1208, Overseas Decoration Building, #122 Zhenhua RD., Futian, Shenzhen, China

ASSEMBLY NUMBER	KEYING OPTION	COLOR	CPA	STATUS
34752-0200	A	BLACK		SALEABLE
34752-0201	B	LT. GRAY		CONCEPT ONLY
34752-0202	C	DK. GRAY		CONCEPT ONLY
34752-0203	D	STONE GRAY		CONCEPT ONLY
34752-0204	A	BLACK	X	SALEABLE
34752-0205	B	LT. GRAY	X	CONCEPT ONLY
34752-0206	C	DK. GRAY	X	CONCEPT ONLY
34752-0207	D	STONE GRAY	X	CONCEPT ONLY

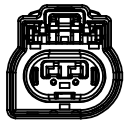


KEYING OPTION A

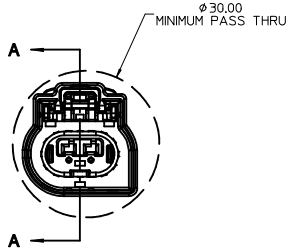
LASER MARKING APPLIED TO THIS SURFACE TO INCLUDE: MOLEX P/N AND DATE CODE SEE NOTE 1d



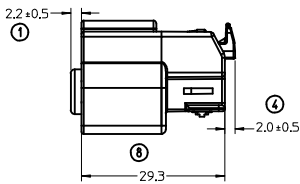
SECTION A-A



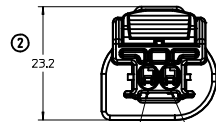
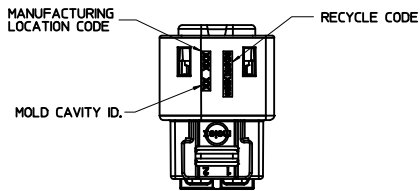
KEYING OPTION B



KEYING OPTION C



KEYING OPTION D



TERMINAL POSITION 1
TERMINAL POSITION 2

NOTES: VALID UNLESS OTHERWISE SPECIFIED

1. GENERAL:

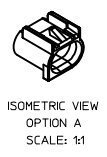
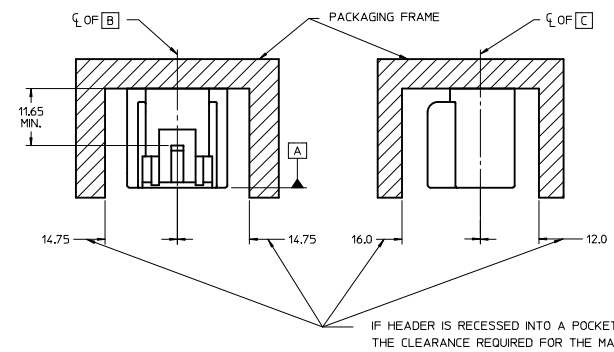
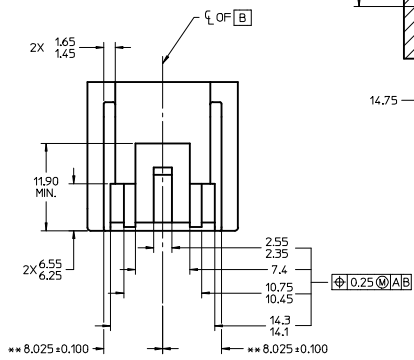
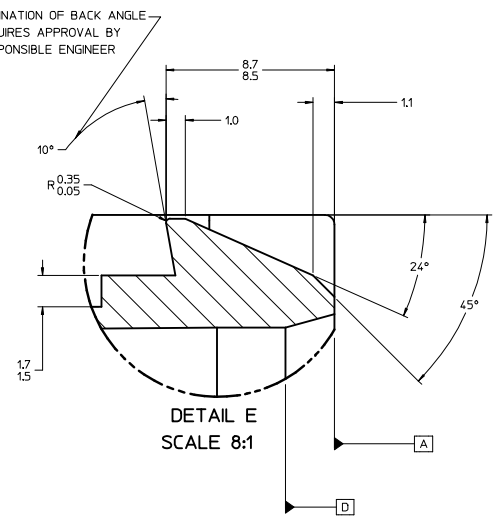
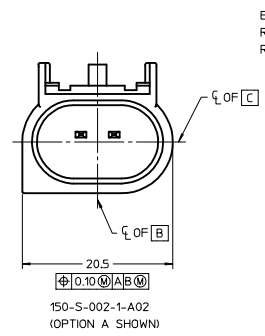
- a. PRODUCT SPECIFICATION SEE MOLEX DOCUMENT: PS-34752-001
- b. PACKAGING SPECIFICATION PER MOLEX DRAWING: PK-31300-635
- c. APPLICATION SPECIFICATION SEE MOLEX DOCUMENT: AS-34752-001
APP. SPEC. CONTAINS THE FOLLOWING INFORMATION:
 APPROPRIATE TERMINALS TO BE USED
 PLR / CPA USAGE
 MATING INTERFACES
- d. DATE CODE: FIRST TWO DIGITS IS CALENDAR YEAR, THIRD THRU FIFTH DIGIT IS DAY NUMBER OF THE CALENDAR YEAR (FEB. 3RD, 2003 = 034)
- e. PARTS MUST BE IN COMPLIANCE TO MOLEX CHEMICAL SUBSTANCES FOR PRODUCTS AND PACKAGING SPECIFICATION ES-40000-5016
- f. DATA MUST BE SUBMITTED UNDER THE MOLEX PART NUMBER TO MDS (COMPANY ID#13255)

2. DESIGN - MATERIALS:

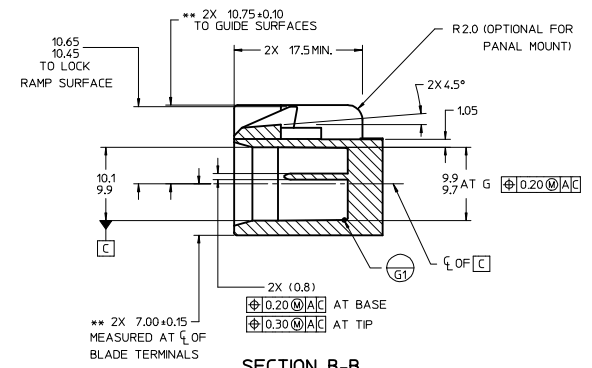
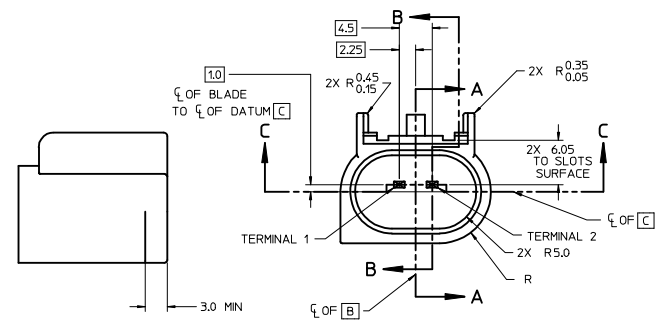
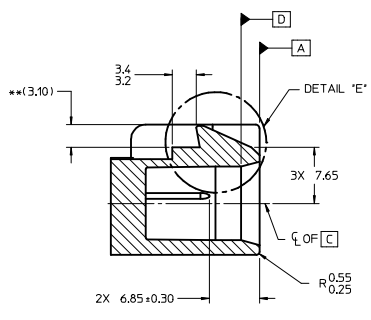
- a. HOUSING: SPS/NYLON BLEND, 20% GLASS FILLED, 20% MAX REGRIND COLOR: SEE TABLE
- b. TPA: SPS/NYLON BLEND, 20% GLASS FILLED, 20% MAX REGRIND COLOR: NATURAL
- c. CPA: PBT 30% GLASS FILLED, 20% MAX REGRIND COLOR: RED
- d. PERIMETER SEAL: INHERENTLY LUBRICATED SILICONE, 50 DUROMETER COLOR: DK BLUE

- 3. PACKAGING: IN THE EVENT THAT INERT IS FOUND IN THE SEATED (FINAL LOCK) POSITION, REFER TO MOLEX SPECIFICATION PS-34646-001, AVAILABLE AT WWW.MOLEX.COM

ENTER DESCRIPTION IEC NO: UAU2016-0615 DRAWN: JZUZELSKI CHKD: APPR: VKOSHY 2015/10/28 2015/11/02	QUALITY SYMBOLS 		GENERAL TOLERANCES (UNLESS SPECIFIED)		DIMENSION STYLE MM ONLY		SCALE 2:1	DESIGN UNITS METRIC	THIRD ANGLE PROJECTION
	4 PLACES ± 0.10 3 PLACES ± 0.15 2 PLACES ± 0.20 1 PLACE ± 0.25		mm INCH +--- +--- +--- +--- +--- +--- +--- +---		DRAWN BY M. VANSLAMBRO DATE 9/16/08		TITLE MX150 CABLE SEAL SINGLE ROW, RECEPTACLE 1X2, ASSEMBLY		
	DRAFT WHERE APPLICABLE MUST REMAIN WITHIN DIMENSIONS		ANGULAR ± 3°		CHECKED BY S. VERZYL DATE 9/16/08		APPROVED BY V. KOSHY DATE 9/16/08		
					MATERIAL NO. SEE TABLE		MOLEX INCORPORATED		SHEET NO. 1 OF 2



IF HEADER IS RECESSED INTO A POCKET, THESE DIMENSIONS REPRESENT THE CLEARANCE REQUIRED FOR THE MATING CONNECTOR SHROUD



- NOTES:
1. ALL DIMENSIONS SHOWN IN MILLIMETERS
 2. DIMENSIONING AND TOLERANCING PER ASME Y14.5M-1994.
 3. RADII ON ALL CORNERS SHOWN SHARP OR ALL UNSPECIFIED RADII: 0.25 EXCEPT AS NOTED
UNSPECIFIED TOLERANCES ARE AS FOLLOWS
.X = ±0.25
.XX = ±.13
ANGLES ±2°
 4. DESIGN IS BASED ON USCAR DWG. 150-S-002-1-Z02 REV K EXCEPT DIMENSIONS MARKED WITH ** REFER TO *SAE/USCAR-12 CONNECTOR DESIGN GUIDELINES FOR ADDITIONAL INFORMATION.
 5. STANDARD COLORS FOR POLARIZATION - DEVIATION REQUIRES APPROVAL OF AUTHORIZED PERSONS.
 6. SECTION LINES ARE COMMON TO ALL OPTIONS.
 7. 1° DRAFT MAX ON OUTSIDE SURFACES PERMISSIBLE WITHIN ALLOWABLE TOLERANCE.
 8. DIMENSIONS IN () ARE FOR REFERENCE.
 9. FOR BLADE GEOMETRY AND PLATING REQUIREMENTS REFER TO EWCAP DWG. NO. EWCAP-001 REV F, DETAIL 150-T001
 10. DIRECTION OF DRAFT REQUIRED.

NO DRAFT ALL AROUND

AT DATUM G

15.0

15.5

MINIMUM TO CONNECTOR FLOOR

DIMENSION MUST BE FREE OF SURFACE DEFECTS FOR SEALING ALL AROUND

CONSTRUCTION BELOW THIS SURFACE IS NOT CONTROLLED BY EWCAP. NO PLASTIC MAY EXTEND ABOVE THIS SURFACE

150-S-002-D02	D	GREEN
150-S-002-C02	C	BROWN
150-S-002-B02	B	GREY
150-S-002-A02	A	BLACK
EWCAP P/N	OPTION	MATING CONNECTOR COLOR

ENTER DESCRIPTION IEC NO. UAU2016-0615 DRAWN: ZUZELSKI CHKD: APPR: WOSHY 2015/10/28 2015/11/02	QUALITY SYMBOLS ∇=0 ∇=0 ∇=0	GENERAL TOLERANCES (UNLESS SPECIFIED) mm INCH 4 PLACES ± --- ± --- 3 PLACES ± --- ± --- 2 PLACES ± 0.10 ± --- 1 PLACE ± 0.20 ± --- ANGULAR ± 3 °	DIMENSION STYLE MM ONLY SCALE 3:1 DESIGN UNITS METRIC THIRD ANGLE PROJECTION	DRAWN BY M. VANSIAMBRO DATE 9/16/08	TITLE MX150 CABLE SEAL SINGLE ROW, RECEPTACLE 1X2, ASSEMBLY
				CHECKED BY S. VERZLY DATE 9/16/08	
DRAFT WHERE APPLICABLE MUST REMAIN WITHIN DIMENSIONS			MATERIAL NO. 150-S-002-1-Z02	DOCUMENT NO. SD-34752-020	SHEET NO. 2 OF 2