



Chipsmall Limited consists of a professional team with an average of over 10 year of expertise in the distribution of electronic components. Based in Hongkong, we have already established firm and mutual-benefit business relationships with customers from,Europe,America and south Asia,supplying obsolete and hard-to-find components to meet their specific needs.

With the principle of “Quality Parts,Customers Priority,Honest Operation,and Considerate Service”,our business mainly focus on the distribution of electronic components. Line cards we deal with include Microchip,ALPS,ROHM,Xilinx,Pulse,ON,Everlight and Freescale. Main products comprise IC,Modules,Potentiometer,IC Socket,Relay,Connector.Our parts cover such applications as commercial,industrial, and automotives areas.

We are looking forward to setting up business relationship with you and hope to provide you with the best service and solution. Let us make a better world for our industry!



Contact us

Tel: +86-755-8981 8866 Fax: +86-755-8427 6832

Email & Skype: info@chipsmall.com Web: www.chipsmall.com

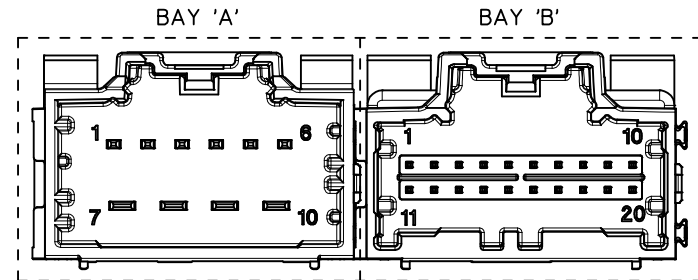
Address: A1208, Overseas Decoration Building, #122 Zhenhua RD., Futian, Shenzhen, China



2 BAY STAC64 VERTICAL HEADER ASSEMBLY (P/N: 34707-2012 SHOWN)

DIMENSIONAL CHART FOR MULTIBAY CONFIGURATION:

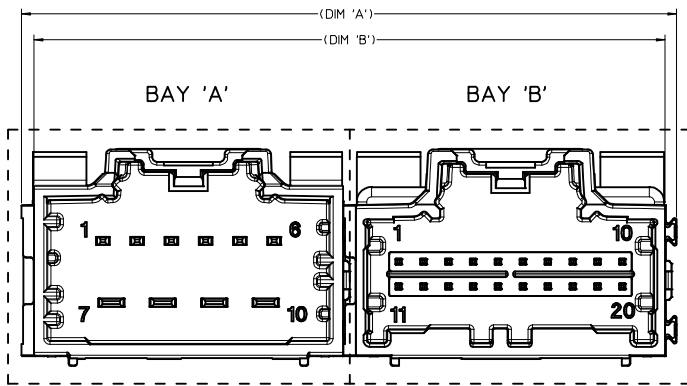
PART NUMBER (TUBE PKG)	PART NUMBER (TRAY PKG)	BAY A			BAY B			DIM 'A'	DIM 'B'	DIM 'C'	DIM 'D'
		CKT	TYPE	POL	CKT	TYPE	POL				
34707-7000	34707-2000	20	0.64mm	A	20	0.64mm	B	66.94	64.47	27.94	27.94
TBD	34707-2001	20	0.64mm	A	20	0.64mm	C	66.94	64.47	27.94	27.94
TBD	34707-2002	20	0.64mm	C	20	0.64mm	D	66.94	64.47	27.94	27.94
TBD	34707-2003	20	0.64mm	C	20	0.64mm	A	66.94	64.47	27.94	27.94
TBD	34707-2004	12	0.64mm	A	20	0.64mm	A	56.78	54.31	17.78	27.94
TBD	34707-2005	12	0.64mm	A	10	HYBRID	A	56.78	54.31	17.78	27.94
TBD	34707-2006	12	0.64mm	B	10	HYBRID	A	56.78	54.31	17.78	27.94
TBD	34707-2007	10	HYBRID	A	20	0.64mm	B	66.94	64.47	27.94	27.94
34707-7012	34707-2012	10	HYBRID	A	20	0.64mm	C	66.94	64.47	27.94	27.94
TBD	34707-2022	20	0.64mm	C	10	HYBRID	A	66.94	64.47	27.94	27.94
TBD	34707-2023	20	0.64mm	A	20	0.64mm	D	66.94	64.47	27.94	27.94
TBD	34707-2030	10	HYBRID	B	10	HYBRID	A	66.94	64.47	27.94	27.94
TBD	34707-2040	12	0.64mm	A	12	0.64mm	B	46.62	44.15	17.78	17.78
TBD	34707-2050	20	0.64mm	A	16	0.64mm	A	61.86	59.39	27.94	22.86
TBD	34707-2060	20	0.64mm	A	12	0.64mm	A	56.78	54.31	27.94	17.78
TBD	34707-2070	16	0.64mm	A	8	0.64mm	C	46.62	44.15	22.86	12.70
34707-7080	34707-2080	12	0.64mm	A	20	0.64mm	B	56.78	54.31	17.78	27.94
TBD	34707-2090	16	0.64mm	A	16	0.64mm	B	56.78	54.31	22.86	22.86



NOTES: VALID UNLESS OTHERWISE SPECIFIED

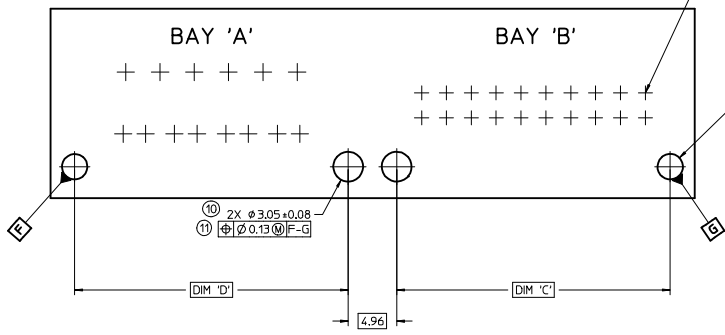
- 1. GENERAL:**
- a. CONNECTOR HEADER MUST BE VALIDATED TO THE FOLLOWING FUNCTIONAL REQUIREMENTS:
 - PRODUCT SPECIFICATION: 8-20 CKT 0.64mm PRODUCT SPEC: PS-34729-100/PS-31408-100
 - 10/14 CKT HYBRID PRODUCT SPEC: PS-31372-100
 - b. APPLICATION REQUIREMENTS (REFERENCE ONLY):
 - APPLICATION SPECIFICATION: AS-34729-020/AS-31408-100
 - c. PACKAGING SPECIFICATION PER MOLEX DRAWING PK-31300-892 (TRAY)
 - d. PACKAGING SPECIFICATION PER MOLEX DRAWING PK-31301-063 (TUBE)
- 2. DESIGN: MATERIALS:**
- a. SHROUD (PLASTIC HOUSING):
 - RESIN - SPS 30%GF
 - COLORS:
 - POL A - BLACK
 - POL B - GRAY
 - POL C - BROWN
 - POL D - GREEN
 - b. 0.64mm PINS:
 - BASE MATERIAL: C26000
 - PLATING TYPE: AS NOTED
 - c. 150/2.80mm BLADES:
 - BASE MATERIAL: C19400
 - PLATING TYPE: AS NOTED
- 3. PLATING REQUIREMENTS:**
- a. UNDERPLATING - OVERALL NICKEL
 - b. OVERPLATING - OVERALL TIN
- 4. FOR DESCRIPTION OF INDIVIDUAL BAYS, REFER TO THE FOLLOWING SINGLE BAY DRAWINGS:**
- 8-20 CKT 0.64: SD-34690-100
 - 10 CKT HYBRID: SD-34695-100
 - 14 CKT HYBRID: SD-34772-200

ADDED POL COLOR EC NO: UAU2016-1642 DRAWN: FISCHER01 2016/05/06 CHKD: APPROVAL: MAN 2016/05/10 REV:	QUALITY SYMBOLS	GENERAL TOLERANCES (UNLESS SPECIFIED)	DIMENSION STYLE	SCALE	DESIGN UNITS	THIRD ANGLE PROJECTION	
	▼=0 ▽=0	mm INCH 4 PLACES ± --- ± --- 3 PLACES ± --- ± --- 2 PLACES ± 0.13 ± --- 1 PLACE ± 0.25 ± --- ANGULAR ± 3 °	MM ONLY DRAWN BY: M BAILEY CHECKED BY: ED LILLON APPROVED BY: SMARCEAU DATE: 9/04/2007 DATE: 9/04/2007 DATE: 2010/10/20	4:1 METRIC	2-BAY STAC64 VERTICAL HEADER ASSEMBLY SALES DRAWING MOLEX INCORPORATED MATERIAL NO. SD-34707-200 DOCUMENT NO. 1 OF 4		
	DRAFT WHERE APPLICABLE MUST REMAIN WITHIN DIMENSIONS						THIS DRAWING CONTAINS INFORMATION THAT IS PROPRIETARY TO MOLEX INCORPORATED AND SHOULD NOT BE USED WITHOUT WRITTEN PERMISSION
	SIZE D						



RECOMMENDED PCB LAYOUT

INSERT NECESSARY BAYS USING THE CHART ON SHEET 1.

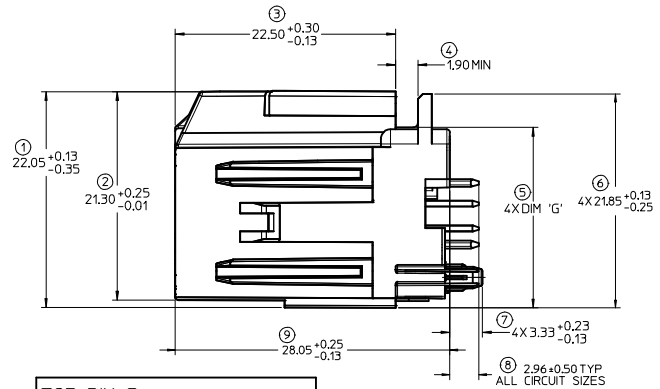


FOR HOLE LOCATION REFER TO TEMPLATE ON SHEET 4

2X $\phi Z \pm 0.08$ (12)
 $\phi \pm 0.13$ (13)

POST HOLE TABLE:

FOR DIM Z:	
PRESS FIT:	2.60
DROP IN:	3.05



FOR DIM G:

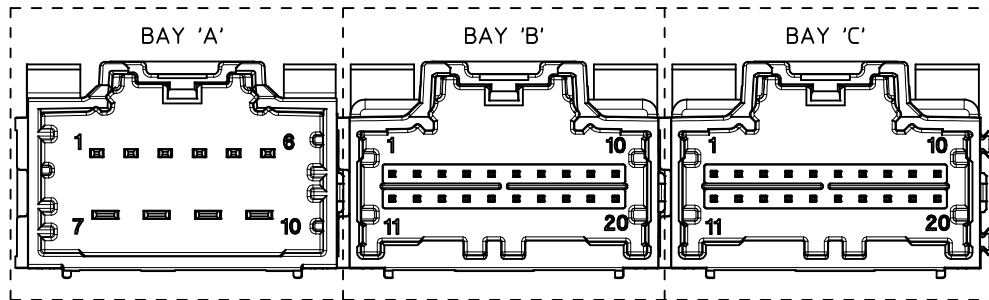
8-20CKT	0.64mm	18.40 MAX
10/14CKT Hybrid		18.59 MAX

ADDED P/NDIMS:TOL EEC NO: UAU2016-1642 DRAWN: FISCHER01 2016/05/06 CHKD: [initials] APPR: BRALMAN 2016/05/10 REV: [initials]	QUALITY SYMBOLS ▽=0 ▽=0	GENERAL TOLERANCES (UNLESS SPECIFIED) <table border="1"> <thead> <tr> <th></th> <th>mm</th> <th>INCH</th> </tr> </thead> <tbody> <tr> <td>4 PLACES</td> <td>± 0.15</td> <td>± 0.005</td> </tr> <tr> <td>3 PLACES</td> <td>± 0.20</td> <td>± 0.008</td> </tr> <tr> <td>2 PLACES</td> <td>± 0.25</td> <td>± 0.010</td> </tr> <tr> <td>1 PLACE</td> <td>± 0.30</td> <td>± 0.012</td> </tr> </tbody> </table>		mm	INCH	4 PLACES	± 0.15	± 0.005	3 PLACES	± 0.20	± 0.008	2 PLACES	± 0.25	± 0.010	1 PLACE	± 0.30	± 0.012	DIMENSION STYLE MM ONLY	SCALE 4:1	DESIGN UNITS METRIC	THIRD ANGLE PROJECTION
		mm	INCH																		
	4 PLACES	± 0.15	± 0.005																		
	3 PLACES	± 0.20	± 0.008																		
2 PLACES	± 0.25	± 0.010																			
1 PLACE	± 0.30	± 0.012																			
		<table border="1"> <thead> <tr> <th>DATE</th> <th>BY</th> </tr> </thead> <tbody> <tr> <td>9/04/2007</td> <td>MBAILEY</td> </tr> <tr> <td>9/04/2007</td> <td>CDILLON</td> </tr> <tr> <td>2010/10/20</td> <td>SMARCEAU</td> </tr> </tbody> </table>	DATE	BY	9/04/2007	MBAILEY	9/04/2007	CDILLON	2010/10/20	SMARCEAU	TITLE 2-BAY STAC64 VERTICAL HEADER ASSEMBLY SALES DRAWING	MATERIAL NO. SD-34707-200	DOCUMENT NO. SD-34707-200	SHEET NO. 2 OF 4							
DATE	BY																				
9/04/2007	MBAILEY																				
9/04/2007	CDILLON																				
2010/10/20	SMARCEAU																				
		DRAFT WHERE APPLICABLE MUST REMAIN WITHIN DIMENSIONS	SEE CHART	INCORPORATED AND SHOULD NOT BE USED WITHOUT WRITTEN PERMISSION	MOLEX INCORPORATED																

DIMENSIONAL CHART FOR MULTIBAY CONFIGURATION:

PART NUMBER (TUBE PKG)	PART NUMBER (TRAY PKG)	BAY A			BAY B			BAY C			DIM 'A'	DIM 'B'	DIM 'C'	DIM 'D'	DIM 'E'
		CKT	TYPE	POL	CKT	TYPE	POL	CKT	TYPE	POL					
TBD	34707-3010	20	0.64mm	A	8	0.64mm	A	16	0.64mm	A	79.52	77.05	22.86	12.70	27.94
TBD	34707-3020	16	0.64mm	B	8	0.64mm	B	20	0.64mm	B	79.52	77.05	27.94	12.70	22.86
TBD	34707-3021	10	HYBRID	A	20	0.64mm	C	20	0.64mm	D	99.84	97.37	27.94	27.94	27.94
TBD	34707-3030	12	0.64mm	A	20	0.64mm	C	20	0.64mm	D	89.68	87.21	27.94	27.94	17.78
TBD	34707-3040	20	0.64mm	A	20	0.64mm	B	20	0.64mm	C	99.84	97.37	27.94	27.94	27.94
TBD	34707-3050	16	0.64mm	A	16	0.64mm	B	16	0.64mm	C	84.60	82.13	22.86	22.86	22.86
TBD	34707-3060	20	0.64mm	B	16	0.64mm	C	10	HYBRID	A	94.76	92.29	27.94	22.86	27.94
TBD	34707-3070	10	HYBRID	A	10	HYBRID	B	10	HYBRID	C	99.84	97.37	27.94	27.94	27.94
TBD	34707-3090	20	0.64mm	A	20	0.64mm	C	8	0.64mm	B	84.60	82.13	27.94	27.94	12.70
TBD	34707-3100	14	HYBRID	A	20	0.64mm	A	20	0.64mm	B	99.84	97.37	27.94	27.94	27.94

3-BAY STAC64 VERTICAL HEADER ASSEMBLY
(P/N: 34707-3021 SHOWN)



NOTES: VALID UNLESS OTHERWISE SPECIFIED
1. GENERAL:

a. CONNECTOR HEADER MUST BE VALIDATED TO THE FOLLOWING FUNCTIONAL REQUIREMENTS:

PRODUCT SPECIFICATION:
8-20 CKT 0.64mm PRODUCT SPEC: PS-34729-020/PS-31408-100
10/14 CKT HYBRID PRODUCT SPEC: PS-31372-100

b. APPLICATION REQUIREMENTS (REFERENCE ONLY):

APPLICATION SPECIFICATION: AS-34729-020/AS-31408-100

c. PACKAGING SPECIFICATION PER MOLEX DRAWING PK-31300-892 (TRAY)

c. PACKAGING SPECIFICATION PER MOLEX DRAWING PK-31301-063 (TUBE)

2. DESIGN MATERIALS:

a. SHROUD (PLASTIC HOUSING):
RESIN - SPS 30%GF
COLOR:
POL A - BLACK
POL B - GRAY
POL C - BROWN
POL D - GREEN

b. 0.64mm PINS:
BASE MATERIAL: C26000
PLATING TYPE: AS NOTED

150/280mm BLADES:
BASE MATERIAL: C19400
PLATING TYPE: AS NOTED

3. PLATING REQUIREMENTS:

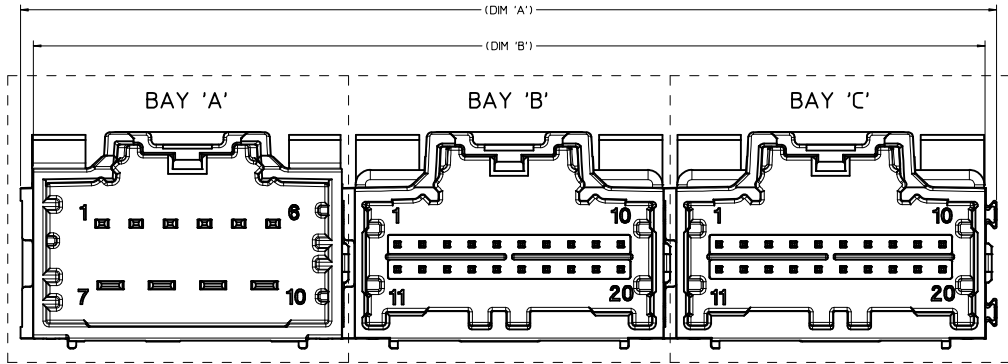
a. UNDERPLATING - OVERALL NICKEL

b. OVERPLATING - OVERALL TIN

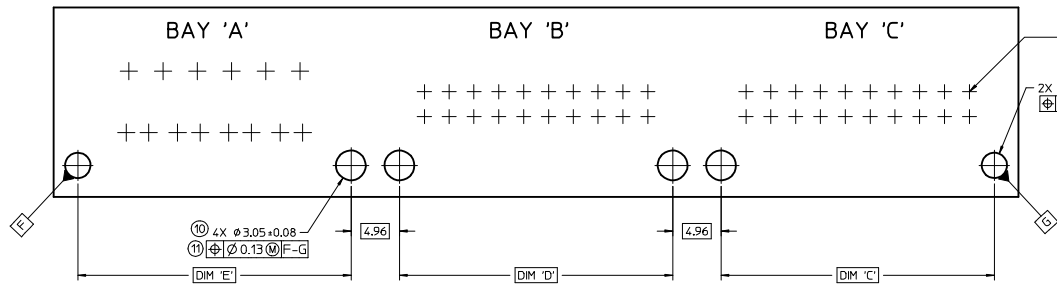
4. FOR DESCRIPTION OF INDIVIDUAL BAYS, REFER TO THE FOLLOWING

SINGLE BAY DRAWINGS:
8-20 CKT 0.64: SD-34690-100
10 CKT HYBRID: SD-34695-100
14 CKT HYBRID: SD-34772-200

ADDED POL COLOR DEC NO: 1/10/2016-1529 DRAWN: FISCHER01 2015/05/14 CHKD: APPROVAL: 2016/04/19 APPR: BRAUN	QUALITY SYMBOLS ▽=0 ▽=0		GENERAL TOLERANCES (UNLESS SPECIFIED): mm INCH 4 PLACES ± --- ± --- 3 PLACES ± --- ± --- 2 PLACES ± 0.13 ± --- 1 PLACE ± 0.25 ± --- ANGULAR ± 1°		DIMENSION STYLE MM ONLY DRAWN BY: VDANIELE DATE: 9/05/2008 CHECKED BY: CDILLON DATE: 9/05/2008 APPROVED BY: SMARCEAU DATE: 2010/10/20		SCALE: 4:1 DESIGN UNITS: METRIC THIRD ANGLE PROJECTION		TITLE: 3-BAY STAC64 VERTICAL HEADER ASSEMBLY SALES DRAWING	
	DRAFT WHERE APPLICABLE MUST REMAIN WITHIN DIMENSIONS				MATERIAL NO: SEE CHART		DOCUMENT NO: SD-34707-300		SHEET NO: 1 OF 4	
	THIS DRAWING CONTAINS INFORMATION THAT IS PROPRIETARY TO MOLEX INCORPORATED AND SHOULD NOT BE USED WITHOUT WRITTEN PERMISSION									
	MOLEX INCORPORATED									

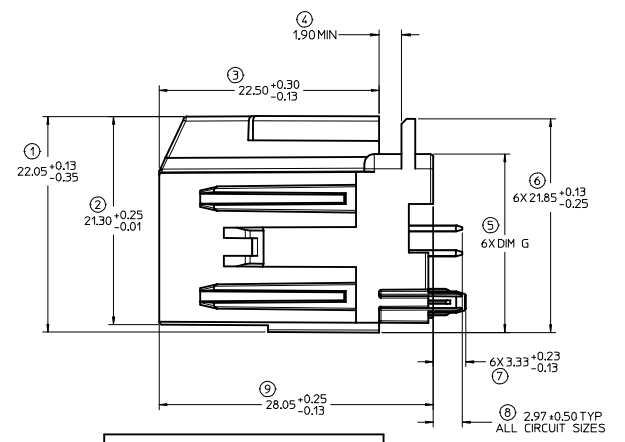


RECOMMENDED PCB LAYOUT
 INSERT NECESSARY BAYS USING CHART ON SHEET 1



FOR PIN LOCATION,
 REFER TO TEMPLATES ON SHEET 4

2X $\phi Z \pm 0.05$ POST HOLE TABLE:
 FOR DIM Z:
 PRESS FIT: 2.60
 DROP IN: 3.05

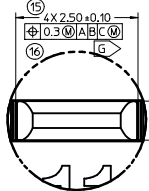
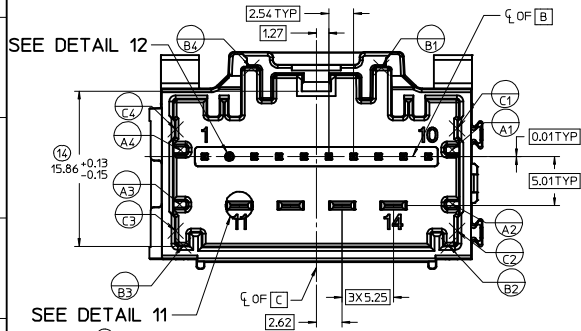


FOR DIM G:

8-20CKT 0.64mm	18.40 MAX
10/14CKT Hybrid	18.59 MAX

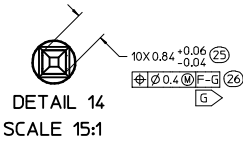
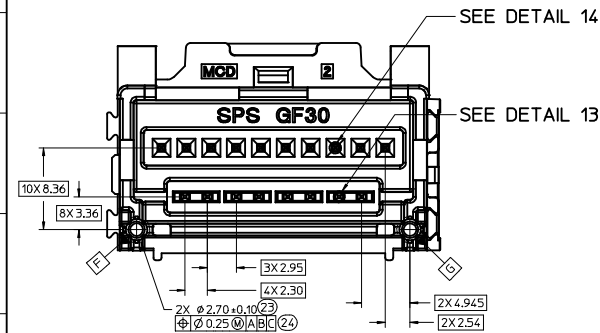
OK TO TOOL EEC NO: UAU2016-1529 DRAWN: FISCHER01 2015/05/14 CHKD: APPR:RBBAUMAN 2016/04/19 REV:	QUALITY SYMBOLS $\nabla=0$ $\nabla=0$	GENERAL TOLERANCES (UNLESS SPECIFIED): <table border="1"> <tr> <th></th> <th>mm</th> <th>INCH</th> </tr> <tr> <td>4 PLACES</td> <td>± 0.15</td> <td>± 0.006</td> </tr> <tr> <td>3 PLACES</td> <td>± 0.25</td> <td>± 0.010</td> </tr> <tr> <td>2 PLACES</td> <td>± 0.38</td> <td>± 0.015</td> </tr> <tr> <td>1 PLACE</td> <td>± 0.51</td> <td>± 0.020</td> </tr> </table> ANGULAR ± 1°		mm	INCH	4 PLACES	± 0.15	± 0.006	3 PLACES	± 0.25	± 0.010	2 PLACES	± 0.38	± 0.015	1 PLACE	± 0.51	± 0.020	DIMENSION STYLE MM ONLY	SCALE 4:1	DESIGN UNITS METRIC	THIRD ANGLE PROJECTION
		mm	INCH																		
	4 PLACES	± 0.15	± 0.006																		
	3 PLACES	± 0.25	± 0.010																		
2 PLACES	± 0.38	± 0.015																			
1 PLACE	± 0.51	± 0.020																			
DRAWN BY: VDANIELE DATE: 9/05/2008 CHECKED BY: EDILLON DATE: 9/05/2008 APPROVED BY: SMARCEAU DATE: 2010/10/20	TITLE 3-BAY STAC64 VERTICAL HEADER ASSEMBLY SALES DRAWING	MATERIAL NO. SEE CHART	DOCUMENT NO. SD-34707-300	SHEET NO. 2 OF 4																	
DRAFT WHERE APPLICABLE MUST REMAIN WITHIN DIMENSIONS																					
THIS DRAWING CONTAINS INFORMATION THAT IS PROPRIETARY TO MOLEX INCORPORATED AND SHOULD NOT BE USED WITHOUT WRITTEN PERMISSION																					

14CKT STAC HYBRID HEADER DETAILS

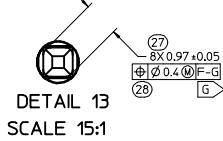


DETAIL 11
SCALE 20:1

DETAIL 12
SCALE 20:1

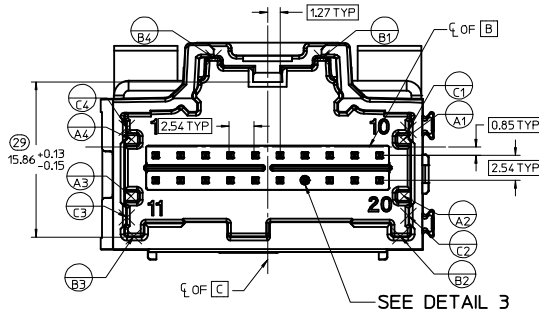


DETAIL 14
SCALE 15:1

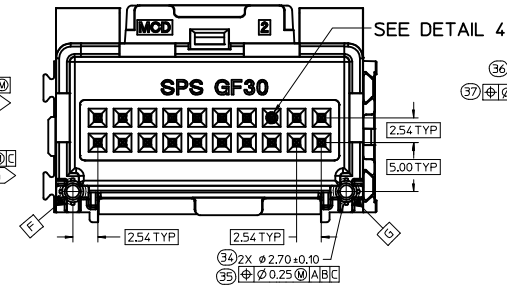
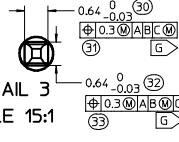


DETAIL 13
SCALE 15:1

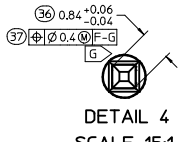
8-20CKT STAC 0.64mm HEADER DETAILS



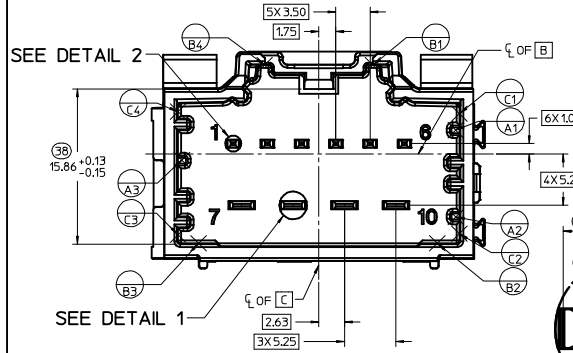
DETAIL 3
SCALE 15:1



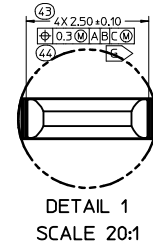
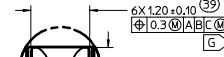
DETAIL 4
SCALE 15:1



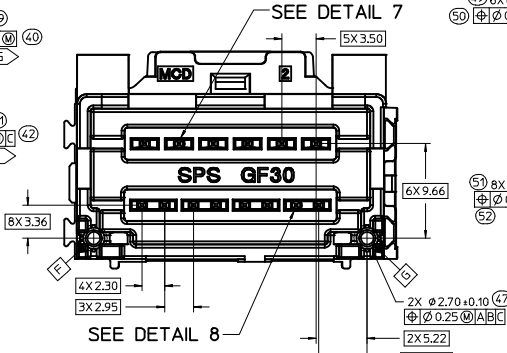
10CKT STAC HYBRID HEADER DETAILS



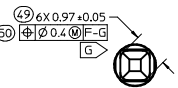
DETAIL 2
SCALE 20:1



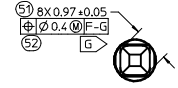
DETAIL 1
SCALE 20:1



DETAIL 7
SCALE 15:1

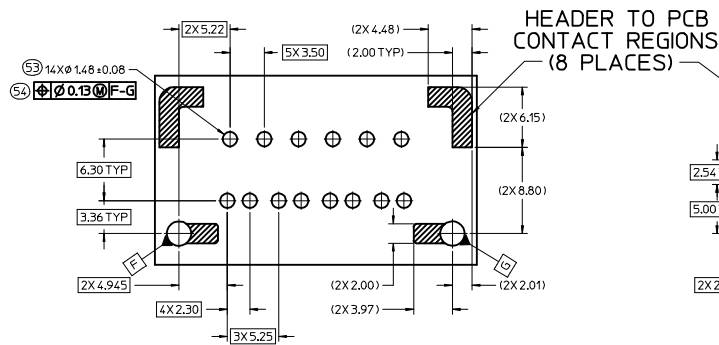


DETAIL 8
SCALE 15:1

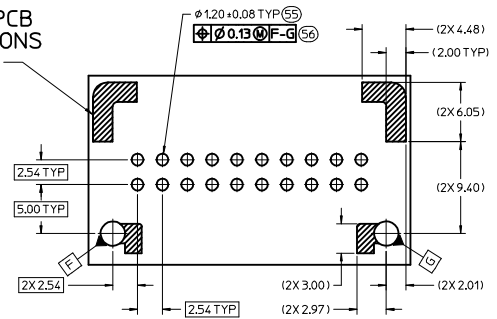


ENTER DESCRIPTION IEC NO. UAU2016-1529 DRAWN/FISHER01 2015/05/14 CHKD: APPR:BRALMAN 2016/04/19 REV:	QUALITY SYMBOLS	GENERAL TOLERANCES (UNLESS SPECIFIED)	DIMENSION STYLE	SCALE	DESIGN UNITS	THIRD ANGLE PROJECTION
	▽=0	mm INCH	MM ONLY	4:1	METRIC	☉
	▽=0	4 PLACES ± --- ± ---	DRAWN BY	DATE	TITLE	
	▽=0	3 PLACES ± --- ± ---	YDANIELE	9/05/2008	3-BAY STAC64 VERTICAL HEADER ASSEMBLY SALES DRAWING	
	1 PLACE ± 0.13 ± ---	CHECKED BY	DATE			
	0 PLACE ± --- ± ---	CDILLON	9/05/2008			
		APPROVED BY	DATE			
		SMARCEAU	2010/10/20			
		MATERIAL NO.	999999999	DOCUMENT NO.	SD-34707-300	
		ANGULAR ± 1 °			SHEET NO.	
		DRAFT WHERE APPLICABLE MUST REMAIN WITHIN DIMENSIONS			3 OF 4	
					THIS DRAWING CONTAINS INFORMATION THAT IS PROPRIETARY TO MOLEX INCORPORATED AND SHOULD NOT BE USED WITHOUT WRITTEN PERMISSION	

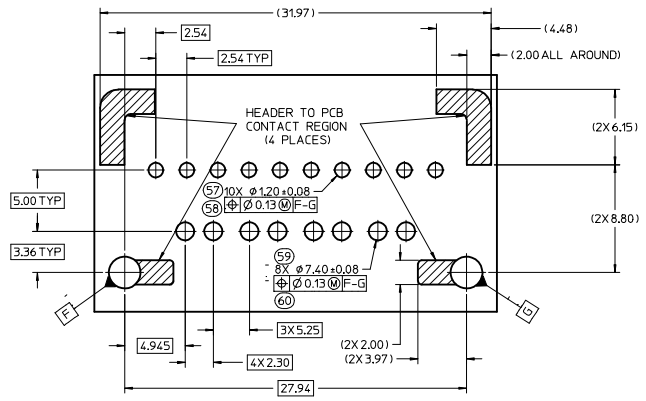
10 CKT HYBRID TEMPLATE
PCB LAYOUT



8-20 CKT 0.64mm TEMPLATE
PCB LAYOUT



14 CKT HYBRID TEMPLATE
PCB LAYOUT

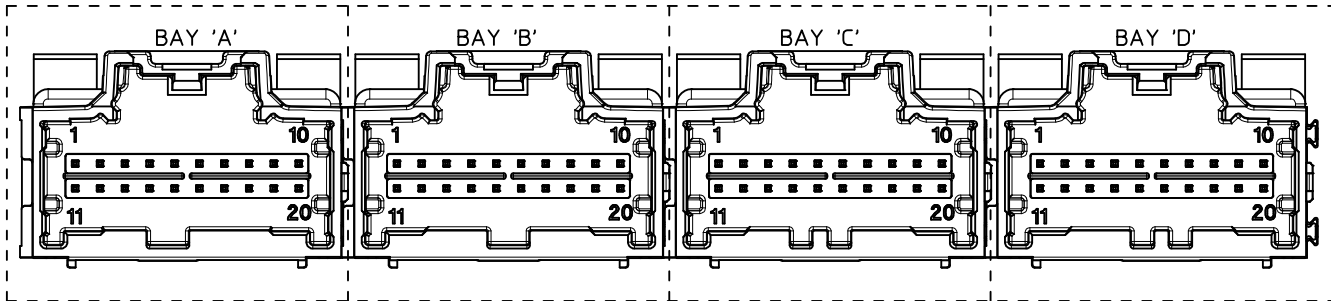


ENTER DESCRIPTION IEC NO. UAU2016-1529 DRAWN: FISCHER01 2015/05/14 CHKD: APPR: BRALMAN 2016/04/19 REV:	QUALITY SYMBOLS	GENERAL TOLERANCES (UNLESS SPECIFIED)	DIMENSION STYLE	SCALE	DESIGN UNITS	THIRD ANGLE PROJECTION	
	▽=0	mm INCH	MM ONLY	4:1	METRIC	☉	
	▽=0	4 PLACES ± --- ± ---	DRAWN BY	DATE	TITLE		
	▽=0	3 PLACES ± --- ± ---	VDANIELE	9/05/2008	3-BAY STAC64 VERTICAL HEADER ASSEMBLY SALES DRAWING		
	2 PLACES ± 0.13 ± ---	CHECKED BY	DATE	DOCUMENT NO.			
	1 PLACE ± 0.25 ± ---	CDILLON	9/05/2008	SD-34707-300			
	0 PLACE ± --- ± ---	APPROVED BY	DATE	SHEET NO.			
		SMARCEAU	2010/10/20	4 OF 4			
		ANGULAR ± 1 °		MATERIAL NO.			
		DRAFT WHERE APPLICABLE MUST REMAIN WITHIN DIMENSIONS		SEE CHART			
		THIS DRAWING CONTAINS INFORMATION THAT IS PROPRIETARY TO MOLEX INCORPORATED AND SHOULD NOT BE USED WITHOUT WRITTEN PERMISSION					

DIMENSIONAL CHART FOR MULTIBAY CONFIGURATION:

PART NUMBER (TUBE PKG)	PART NUMBER (TRAY PKG)	BAY A			BAY B			BAY C			BAY D			DIM 'A'	DIM 'B'	DIM 'C'	DIM 'D'	DIM 'E'	DIM 'F'
		CKT	TYPE	POL	CKT	TYPE	POL	CKT	TYPE	POL	CKT	TYPE	POL						
34707-9000	34707-4000	20	0.64mm	A	20	0.64mm	B	20	0.64mm	C	20	0.64mm	D	132.74	130.27	27.94	27.94	27.94	27.94
TBD	34707-4010	12	0.64mm	A	20	0.64mm	A	8	0.64mm	A	16	0.64mm	A	102.26	99.79	17.78	27.94	12.70	22.86
TBD	34707-4020	20	0.64mm	D	20	0.64mm	C	20	0.64mm	B	20	0.64mm	A	132.74	130.27	27.94	27.94	27.94	27.94

4 BAY STAC64 VERTICAL HEADER ASSEMBLY
(P/N: 34707-4000 SHOWN)



NOTES: VALID UNLESS OTHERWISE SPECIFIED

1. GENERAL:

a. CONNECTOR HEADER MUST BE VALIDATED TO THE FOLLOWING FUNCTIONAL REQUIREMENTS:

PRODUCT SPECIFICATION:
8-20 CKT 0.64mm PRODUCT SPEC: PS-34729-020/PS-31408-100
10/14 CKT HYBRID PRODUCT SPEC: PS-31372-100

b. APPLICATION REQUIREMENTS (REFERENCE ONLY):

APPLICATION SPECIFICATION: AS-34729-020/AS-31408-100

c. PACKAGING SPECIFICATION PER MOLEX DRAWING PK-31300-892 (TRAY)
d. PACKAGING SPECIFICATION PER MOLEX DRAWING PK-31301-063 (TUBE)

2. DESIGN: MATERIALS:

a. SHROUD (PLASTIC HOUSING):
RESIN - SPS 30%GF

b. 0.64mm PINS:
BASE MATERIAL: C26000
PLATING TYPE: AS NOTED

150/2.80mm BLADES:
BASE MATERIAL: C19400
PLATING TYPE: AS NOTED

3. PLATING REQUIREMENTS:

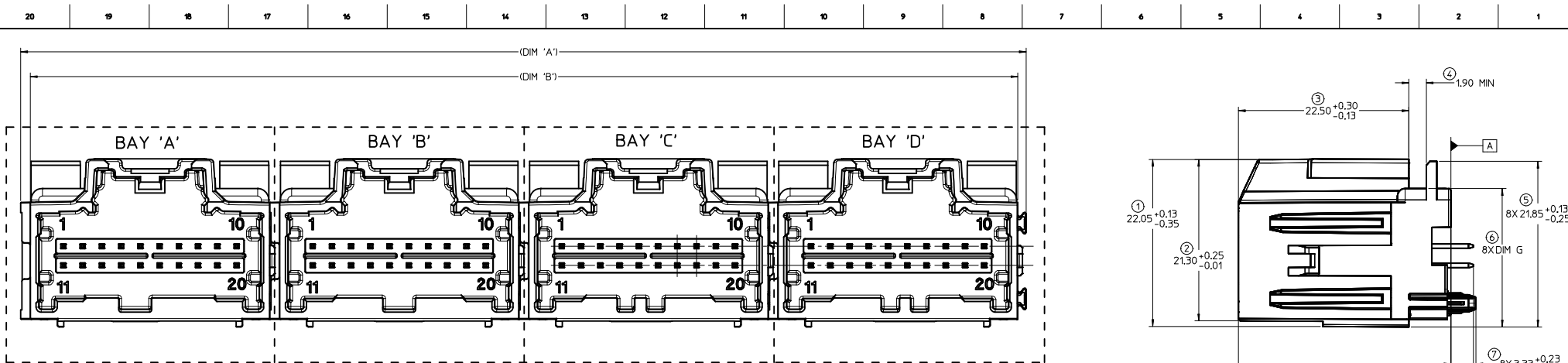
a. UNDERPLATING - OVERALL NICKEL

b. OVERPLATING - OVERALL TIN

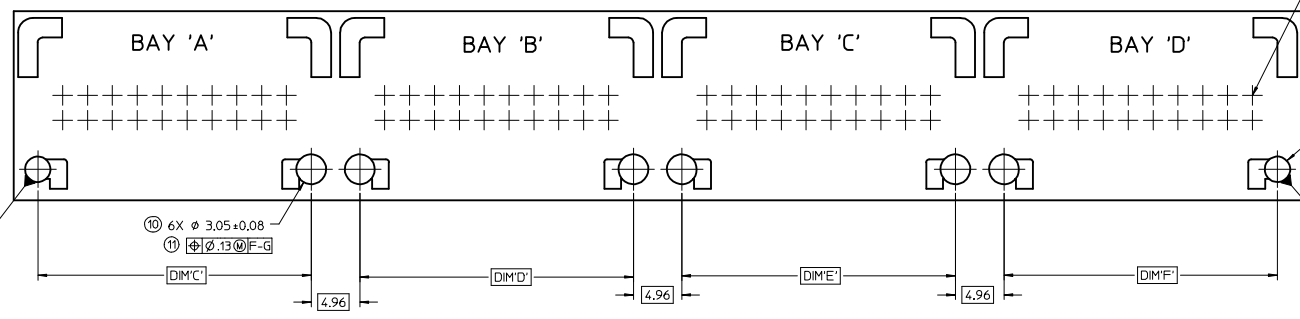
4. FOR DESCRIPTION OF INDIVIDUAL BAYS, REFER TO THE FOLLOWING

SINGLE BAY DRAWINGS:
8-20 CKT 0.64: SD-34690-100
10 CKT HYBRID: SD-34695-100
14 CKT HYBRID: SD-34772-200

RELEASED EC NO: UAU2016-1529 DRAWN: FISCHER01 2016/04/14 CHKD: APPROVED: BALMAN 2016/04/19 D8	QUALITY SYMBOLS ▽=0 ▽=0	GENERAL TOLERANCES (UNLESS SPECIFIED): mm INCH 4 PLACES ±--- ±--- 3 PLACES ±--- ±--- 2 PLACES ±0.13 ±--- 1 PLACE ±0.25 ±--- ANGULAR ± 3°	DIMENSION STYLE MM ONLY DRAWN BY: VDANIELE DATE: 9/05/2008 CHECKED BY: CDILLON DATE: 9/05/2008 APPROVED BY: SMARCEAU DATE: 9/5/2008	SCALE: 4:1 DESIGN UNITS: METRIC THIRD ANGLE PROJECTION	TITLE: 4-BAY STAC64 VERTICAL HEADER ASSEMBLY SALES DRAWING
	DRAFT WHERE APPLICABLE MUST REMAIN WITHIN DIMENSIONS		MATERIAL NO: SEE CHART	MOLEX INCORPORATED	SHEET NO: 1 OF 4
	THIS DRAWING CONTAINS INFORMATION THAT IS PROPRIETARY TO MOLEX INCORPORATED AND SHOULD NOT BE USED WITHOUT WRITTEN PERMISSION				



RECOMMENDED PCB LAYOUT
 INSERT NECESSARY BAY'S USING THE CHART ON SHEET 1



FOR HOLE LOCATION REFER TO TEMPLATES ON SHEET 4

2X Ø Z ±0.08 ⑫
 Ø.13@F ⑬

POST HOLE TABLE

FOR DIM Z:	
PRESS FIT	2.60
DROP IN	3.05

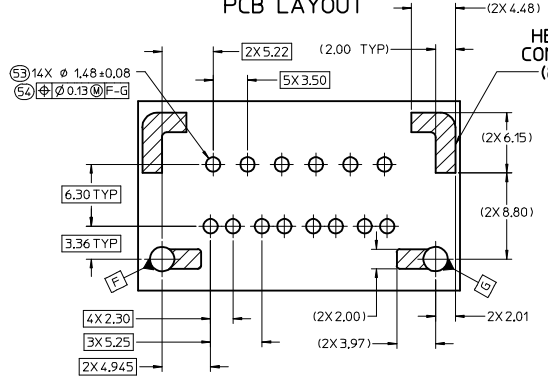
FOR DIM G:

8-20CKT 0.64mm	18.40 MAX
10/14CKT Hybrid	18.59 MAX

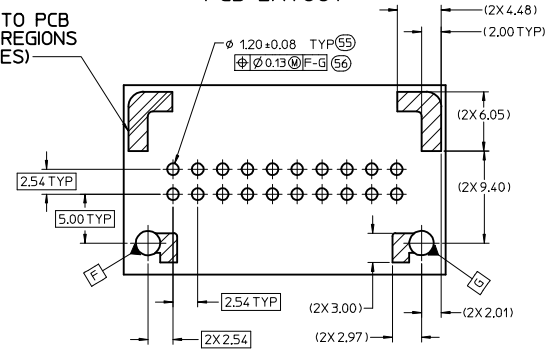
RELEASED DEC NO. UAU2016-1529 DRAWN/FISCHER01 2016/04/14 CHKD: APPR:BRALMAN 2016/04/19 REV:	QUALITY SYMBOLS	GENERAL TOLERANCES (UNLESS SPECIFIED) mm INCH 4 PLACES ± --- ± --- 3 PLACES ± --- ± --- 2 PLACES ± 0.13 ± --- 1 PLACE ± 0.25 ± --- ANGULAR ± 3 °	DIMENSION STYLE	SCALE	DESIGN UNITS	THIRD ANGLE PROJECTION	
			MM ONLY	4:1	METRIC	☉	
		DRAFT WHERE APPLICABLE MUST REMAIN WITHIN DIMENSIONS	DRAWN BY: VDANIELE CHECKED BY: DATE CDILLON 9/05/2008 APPROVED BY: DATE SMARCEAU 9/5/2008	TITLE 4-BAY STAC64 VERTICAL HEADER ASSEMBLY SALES DRAWING		MOLEX INCORPORATED	SHEET NO. 2 OF 4
		SEE CHART	MATERIAL NO. DOCUMENT NO. SD-34707-400				

THIS DRAWING CONTAINS INFORMATION THAT IS PROPRIETARY TO MOLEX INCORPORATED AND SHOULD NOT BE USED WITHOUT WRITTEN PERMISSION

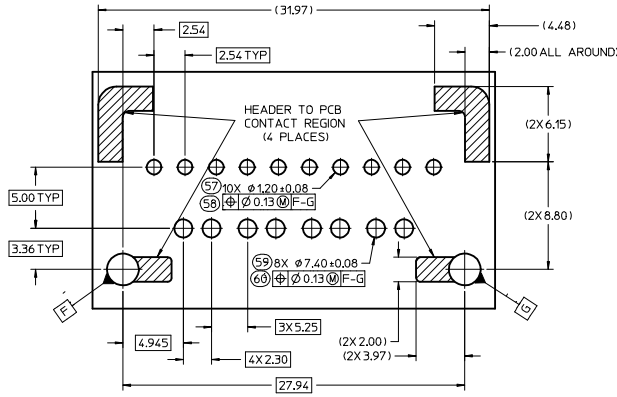
10 CKT HYBRID TEMPLATE
PCB LAYOUT



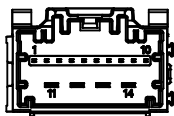
8-20 CKT 0.64mm TEMPLATE
PCB LAYOUT



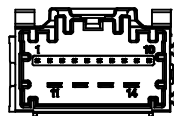
14 CKT HYBRID TEMPLATE
PCB LAYOUT



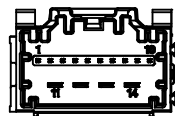
ENTER DESCRIPTION EEC NO. UAU2016-1529 DRAWN/FISCHER01 2016/04/14 CHCK: APPR:RBALMAN 2016/04/19 REV: D8	QUALITY SYMBOLS	GENERAL TOLERANCES (UNLESS SPECIFIED)	DIMENSION STYLE	SCALE	DESIGN UNITS	THIRD ANGLE PROJECTION
	∇=0 ∇=0 ∇=0	mm INCH 4 PLACES ± --- ± --- 3 PLACES ± --- ± --- 2 PLACES ± 0.13 ± --- 1 PLACE ± 0.25 ± --- 0 PLACE ± --- ± ---	MM ONLY	4:1	METRIC	
	ANGULAR ± 3° DRAFT WHERE APPLICABLE MUST REMAIN WITHIN DIMENSIONS	DRAWN BY: VDANIELE CHECKED BY: CDILLON APPROVED BY: SMARCEAU DATE: 9/05/2008 DATE: 9/05/2008 DATE: 9/5/2008	MATERIAL NO. 9999999999		DOCUMENT NO. SD-34707-400	
	SHEET NO. 4 OF 4		THIS DRAWING CONTAINS INFORMATION THAT IS PROPRIETARY TO MOLEX INCORPORATED AND SHOULD NOT BE USED WITHOUT WRITTEN PERMISSION			



POLARIZATION OPTION "A"
P/N 34772-0140



POLARIZATION OPTION "B"
P/N 34772-0141



POLARIZATION OPTION "C"
P/N 34772-0142

MATERIAL NUMBER		CKT SIZE	DESCRIPTION	POL	COLOR
TRAY PACKAGING PK-31300-892	TUBE PACKAGING PK-31301-063				
34772-0140	34772-9140	14	STAC64 VERTICAL HEADER ASSEMBLY	A	BLACK
34772-0141	34772-9141	14	STAC64 VERTICAL HEADER ASSEMBLY	B	GREY
34772-0142	34772-9142	14	STAC64 VERTICAL HEADER ASSEMBLY	C	BROWN

NOTES: VALID UNLESS OTHERWISE SPECIFIED
1. GENERAL:

a. CONNECTOR HEADER MUST BE VALIDATED TO THE FOLLOWING FUNCTIONAL REQUIREMENTS:

PIN RETENTION = USCAR-2 REV 5
SOLDERABILITY = SMES-152

b. APPLICATION REQUIREMENTS (REFERENCE ONLY) FOR:

SEE APPLICATION SPECIFICATION = TBD
SEE PRODUCT SPECIFICATION = TBD
MATES WITH: 34776-014*/34916-014*/34927-014*/34969-014*

c. PACKAGING SPECIFICATION SEE CHART.

2. DESIGN MATERIALS:

a. SHROUD (PLASTIC HOUSING):
RESIN - SPS 30%GF

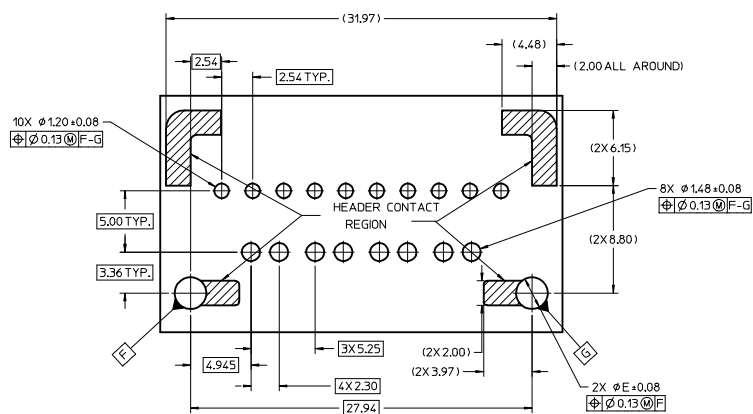
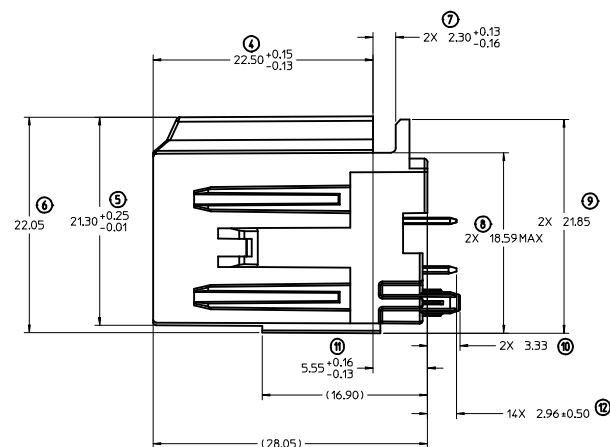
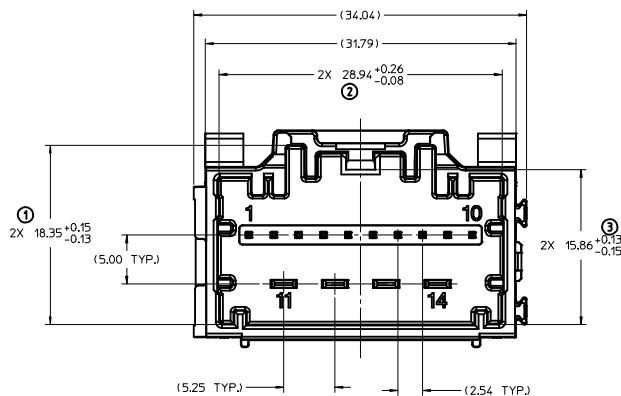
b. 0,64mm BLADES:
BASE MATERIAL: C26000
PLATING TYPE: AS NOTED

2,80mm BLADES:
BASE MATERIAL: C19400
PLATING TYPE: AS NOTED

3. PLATING REQUIREMENTS:

a. UNDERPLATING - OVERALL NICKEL
b. OVERPLATING - OVERALL TIN

ENTER DESCRIPTION IEC NO: UAU2014-0236 DRAWN BY: LSONG05 2012/11/21 CHECKED BY: CHYKXBTANG 2013/08/13 APPROVED BY: APPR:RBAUMAN 2013/08/13 REV DESCRIPTION	QUALITY SYMBOLS	GENERAL TOLERANCES (UNLESS SPECIFIED)	DIMENSION STYLE	SCALE	DESIGN UNITS	THIRD ANGLE PROJECTION
	▽=0	4 PLACES ± --- ± --- 3 PLACES ± --- ± --- 2 PLACES ± 0.13 ± --- 1 PLACE ± 0.25 ± --- 0 PLACE ± ±	MM ONLY	2:1	METRIC	DRAWN BY: LSONG05 2011/01/13 CHECKED BY: YDANIELE 2011/01/13 APPROVED BY: SMARCEAU 2011/01/28 MATERIAL NO. SEE TABLE DOCUMENT NO. SD-34772-010
	▽=0	ANGULAR ± 3 °	MM ONLY			TITLE: STAC64 SINGLE BAY VERTICAL ASSEMBLY 14 CKT HYBRID
	▽=0	DRAFT WHERE APPLICABLE MUST REMAIN WITHIN DIMENSIONS	MM ONLY			SHEET NO. 1 OF 2 THIS DRAWING CONTAINS INFORMATION THAT IS PROPRIETARY TO MOLEX INCORPORATED AND SHOULD NOT BE USED WITHOUT WRITTEN PERMISSION



RECOMMENDED PCB LAYOUT

POST HOLE TABLE

	DIM E
PRESS FIT	ø2.60
DROP IN	ø3.05

ENTER DESCRIPTION IEC NO: UAU2014-0236 DRAWN: SONG05 CHKD: BTANG APPR: RBAUMAN	QUALITY SYMBOLS ∇=0 ∇=0 ∇=0	GENERAL TOLERANCES (UNLESS SPECIFIED) mm INCH 4 PLACES +--- +--- 3 PLACES +--- +--- 2 PLACES ±0.13 ±--- 1 PLACE ±0.25 ±--- 0 PLACE ± ±	DIMENSION STYLE MM ONLY	SCALE 4:1	DESIGN UNITS METRIC	THIRD ANGLE PROJECTION	DRAWN BY LSONG05	DATE 2011/01/13	TITLE STAC64 SINGLE BAY VERTICAL ASSEMBLY 14 CKT HYBRID
							CHECKED BY VDANIELE	DATE 2011/01/13	
MATERIAL NO. SEE SHEET 1			DOCUMENT NO. SD-34772-010		SHEET NO. 2 OF 2				
THIS DRAWING CONTAINS INFORMATION THAT IS PROPRIETARY TO MOLEX INCORPORATED AND SHOULD NOT BE USED WITHOUT WRITTEN PERMISSION									