



Chipsmall Limited consists of a professional team with an average of over 10 year of expertise in the distribution of electronic components. Based in Hongkong, we have already established firm and mutual-benefit business relationships with customers from,Europe,America and south Asia,supplying obsolete and hard-to-find components to meet their specific needs.

With the principle of “Quality Parts,Customers Priority,Honest Operation,and Considerate Service”,our business mainly focus on the distribution of electronic components. Line cards we deal with include Microchip,ALPS,ROHM,Xilinx,Pulse,ON,Everlight and Freescale. Main products comprise IC,Modules,Potentiometer,IC Socket,Relay,Connector.Our parts cover such applications as commercial,industrial, and automotives areas.

We are looking forward to setting up business relationship with you and hope to provide you with the best service and solution. Let us make a better world for our industry!



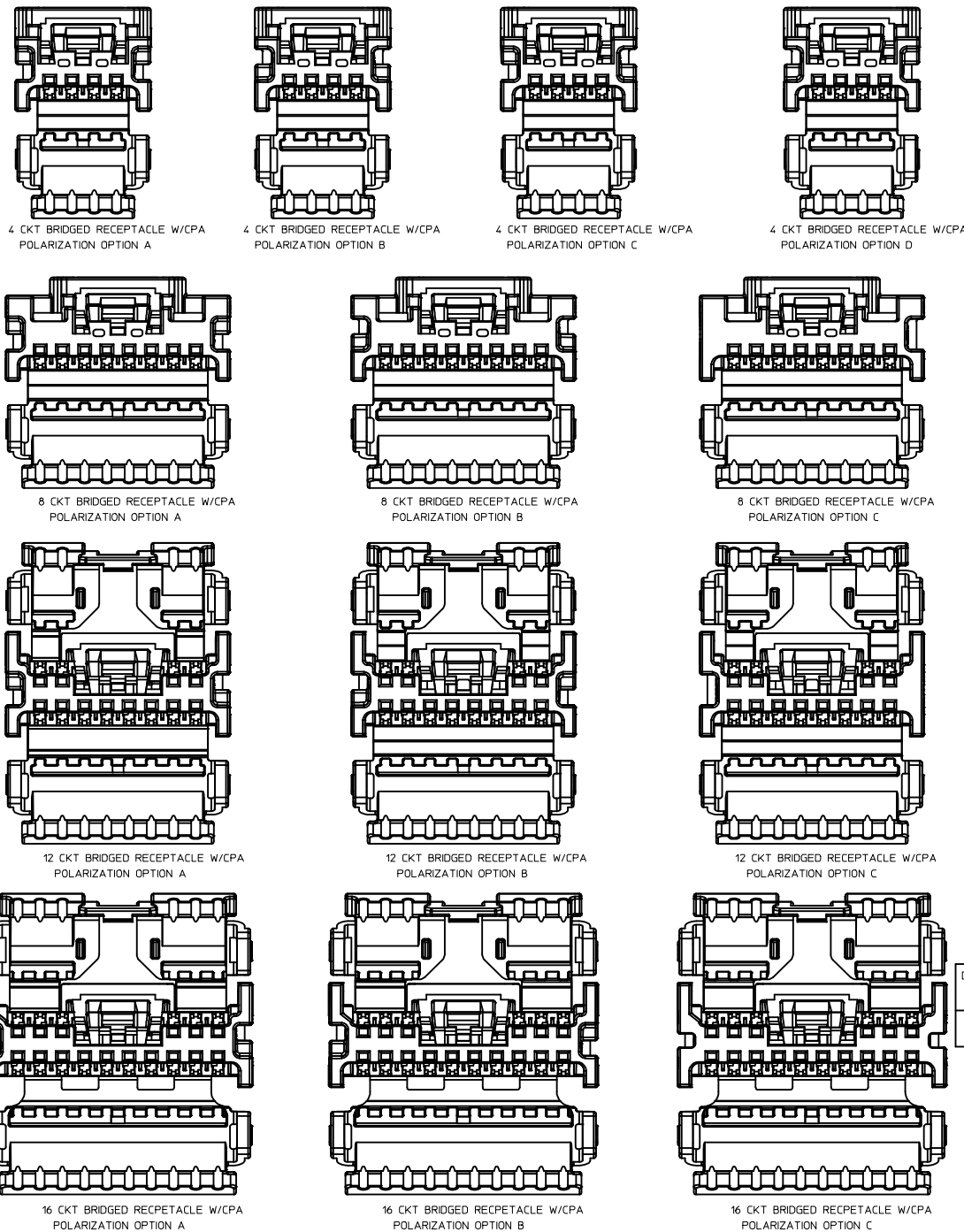
Contact us

Tel: +86-755-8981 8866 Fax: +86-755-8427 6832

Email & Skype: info@chipsmall.com Web: www.chipsmall.com

Address: A1208, Overseas Decoration Building, #122 Zhenhua RD., Futian, Shenzhen, China





NOTES: VALID UNLESS OTHERWISE SPECIFIED

1. GENERAL:

- a. APPLICATION SPECIFICATION SEE: AS-34791-020
- b. PRODUCT SPECIFICATION SEE: PS-34791-020
- c. PACKAGING SPECIFICATION PER MOLEX DRAWING: SEE CHART
- d. PARTS MUST BE IN COMPLIANCE TO MOLEX CHEMICAL SUBSTANCES FOR PRODUCTS AND PACKAGING SPECIFICATION: PS-40000-5015
- e. DATA MUST BE SUBMITTED UNDER THE MOLEX PART NUMBER TO IMDS (COMPANY ID#13255)
- f. FLAMMABILITY REQUIREMENT: PER ISO3795 OR GM3191
 - 1. BURN RATE 100 mm/MIN MAXIMUM
 - 2. MATERIAL MUST BE SELF EXTINGUISHING
- g. VISUAL DEFECTS SHALL MEET COSMETIC STANDARD PS-45499-002 (Class B)

2. DESIGN - MATERIALS:

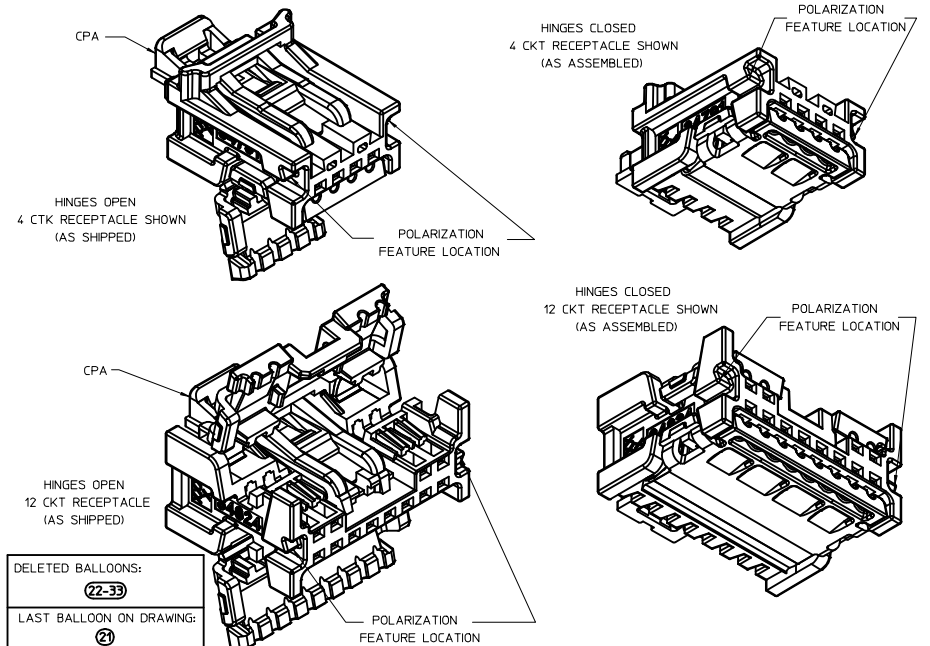
- a. MATERIAL: UNFILLED PBT

3. DESIGN - GEOMETRY:

- a. THIS IS A 100% CAD GENERATED PART. THE CAD MATHEMATICAL DATA IS THE MASTER FOR THIS PART. FOR DIMENSIONAL OR ANY INFORMATION NOT SHOWN ON THIS DRAWING, ANALYZE THE CAD MODEL.
- b. GEOMETRIC DIMENSIONS AND TOLERANCES PER ASME Y14.5 - 2009
- c. GENERAL TOLERANCES:
 - LINEAR: PER DIN 16901 CODE B FOR PRECISION ENGINEERING (SEE TABLE)
 - ANGULAR: +3°
- d. EDGES AND UNDIMENSIONED DETAILS PER ISO13715
- e. CORNERS SHOWN AS SHARP TO BE R 0.2 MAX
- f. LETTERING SHALL BE 0.1 MAX RAISED IN 0.15 MAX RECESS PAD AND NOT PROTRUDE THE SURFACE. THIS INCLUDES RECYCLING CODE. PLANT ID, CAVITY ID, VENDOR ID, CIRCUIT ID, AND PART SERIES NUMBER.
- g. DIMENSION APPLIES ONLY TO RECEPTACLES WITH LOCK BRIDGE OPTION.

4. DESIGN - FUNCTIONALITY:

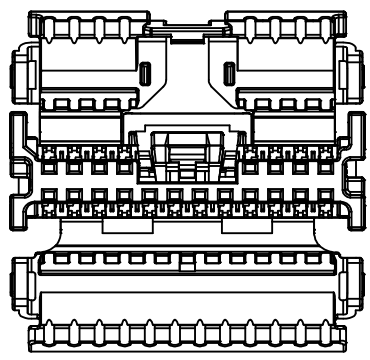
- a. HINGE DOES NOT AFFECT FUNCTION OF THE PART.



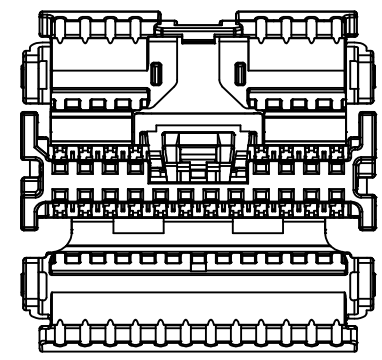
DELETED BALLOONS:
②③③

LAST BALLOON ON DRAWING:
②

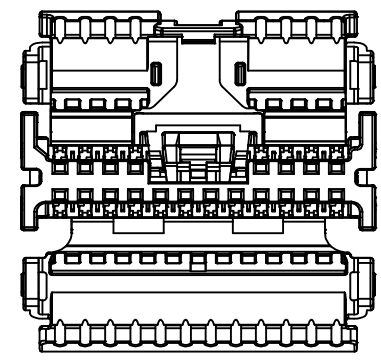
| | | | | | | | |
|--|--|---|--|--|--|------------------------------|---------------------|
| UPDATED 4.8.12 P/N ELC NO: UA02016-0125 DRAWN BY: DRANKREHMT CHKD: APPR:RBAUMAN 2015/07/28 | QUALITY SYMBOLS ∇=0 ∇=0 ∇=0 | GENERAL TOLERANCES (UNLESS SPECIFIED) mm INCH 4 PLACES ± --- ± --- 3 PLACES ± --- ± --- 2 PLACES ± 0.10 ± --- 1 PLACE ± 0.20 ± --- 0 PLACE ± --- ± --- ANGULAR ± 1° | DIMENSION STYLE MM ONLY DRAWN BY: MYOUNG01 DATE: 2013/01/31 CHECKED BY: DATE: | SCALE: 5:1 DESIGN UNITS: METRIC THIRD ANGLE PROJECTION | TITLE MINI 50 SINGLE/DUAL ROW CPA-RECEPTACLE ASSEMBLY SALES DRAWING | DOCUMENT NO. SD-34824-003 | SHEET NO. 1 OF 5 |
| | DRAFT WHERE APPLICABLE MUST REMAIN WITHIN DIMENSIONS | APPROVED BY: RBAUMAN DATE: 2013/11/13 MATERIAL NO. SEE TABLE | THIS DRAWING CONTAINS INFORMATION THAT IS PROPRIETARY TO MOLEX INCORPORATED AND SHOULD NOT BE USED WITHOUT WRITTEN PERMISSION | | | | |
| | | | | | | | |
| | | | | | | | |



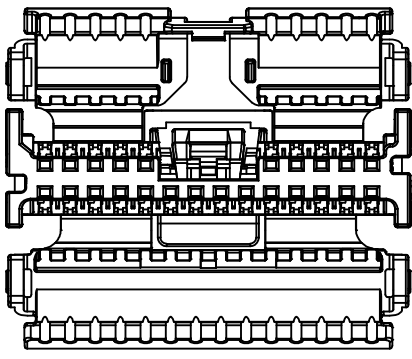
20 CKT BRIDGED RECEPTACLE W/CPA
POLARIZATION OPTION A



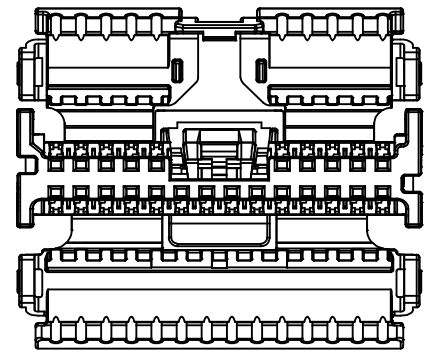
20 CKT BRIDGED RECEPTACLE W/CPA
POLARIZATION OPTION B



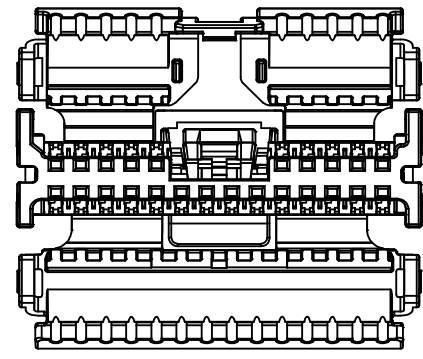
20 CKT BRIDGED RECEPTACLE W/CPA
POLARIZATION OPTION C



24 CKT BRIDGED RECEPTACLE W/CPA
POLARIZATION OPTION A

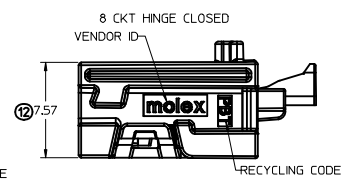
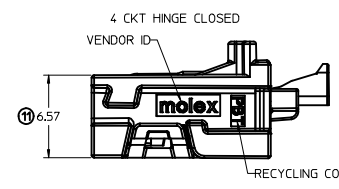
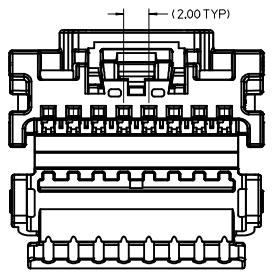
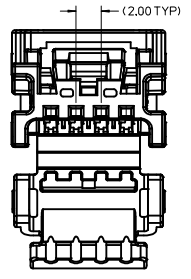
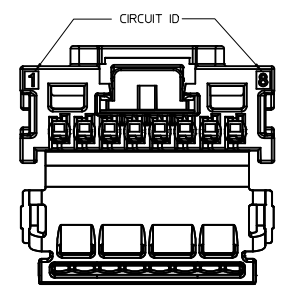
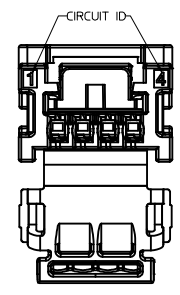
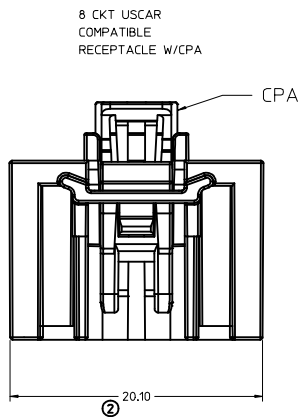
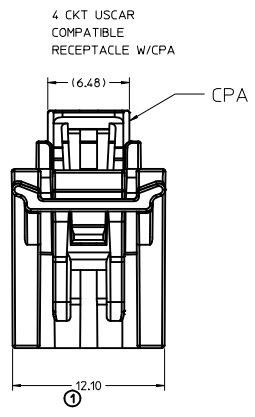
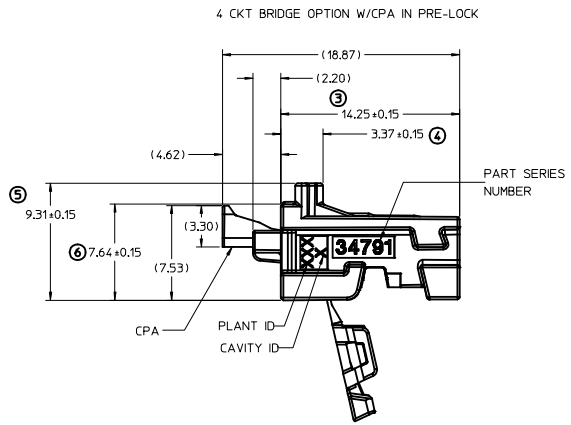


24 CKT BRIDGED RECEPTACLE W/CPA
POLARIZATION OPTION B

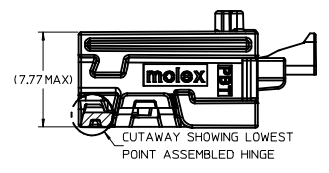
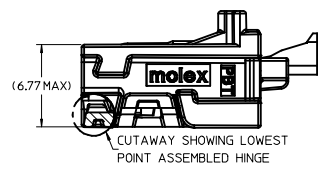
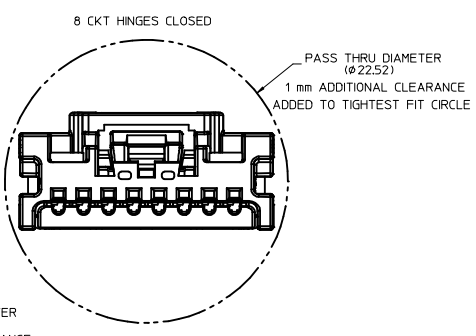
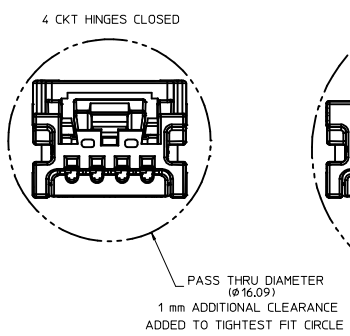
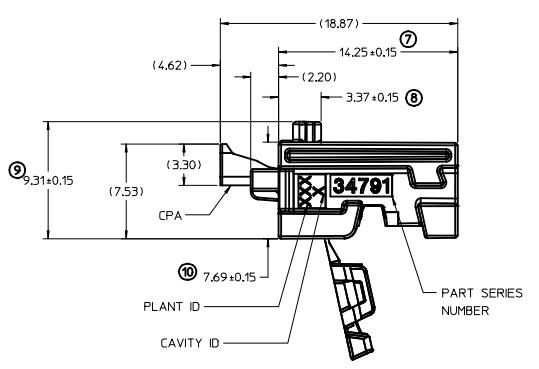


24 CKT BRIDGED RECEPTACLE W/CPA
POLARIZATION OPTION C

| | | | | | | |
|---|-----------------------|--|---|-----------------|--------------|---|
| UPDATED 4.8.12 P/N EC NO: UAU2016-0125 DRWNR:HEMITT CHKD: APPR:RBAUMAN 2015/07/27 2015/07/28 | QUALITY SYMBOLS | GENERAL TOLERANCES (UNLESS SPECIFIED) | DIMENSION STYLE | SCALE | DESIGN UNITS | THIRD ANGLE PROJECTION |
| | ▽=0 | mm INCH | MM ONLY | 5:1 | METRIC | |
| | ▽=0 | 4 PLACES ± --- ± --- | DRAWN BY DATE | | | TITLE |
| | ▽=0 | 3 PLACES ± --- ± --- | MYOUNG01 2013/01/31 | CHECKED BY DATE | | MINI 50 SINGLE/DUAL ROW CPA-RECEPTACLE ASSEMBLY SALES DRAWING |
| ▽=0 | 2 PLACES ± 0.10 ± --- | APPROVED BY DATE | | | | DOCUMENT NO. |
| | 1 PLACE ± 0.20 ± --- | RBAUMAN 2013/11/13 | MATERIAL NO. | | | SD-34824-003 |
| | 0 PLACE ± --- ± --- | ANGULAR ± 1° | SEE TABLE | | | 2 OF 5 |
| | | DRAFT WHERE APPLICABLE MUST REMAIN WITHIN DIMENSIONS | THIS DRAWING CONTAINS INFORMATION THAT IS PROPRIETARY TO MOLEX INCORPORATED AND SHOULD NOT BE USED WITHOUT WRITTEN PERMISSION | | | |

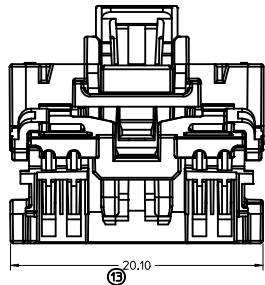


8 CKT BRIDGE OPTION W/CPA IN PRE-LOCK

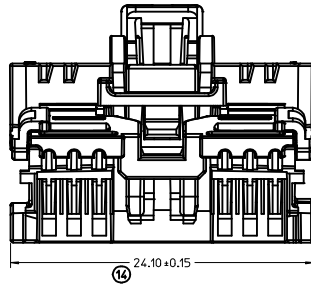


| | | | | | | |
|--|--|---------------------------------------|---|-----------------|--------------|---|
| UPDATED 4.8.12 P/N ELEC NO: UAU2016-0125 DRAWN BY: DRW:KHEMITT CHKD: APPR:RBAUMAN 2015/07/28 | QUALITY SYMBOLS | GENERAL TOLERANCES (UNLESS SPECIFIED) | DIMENSION STYLE | SCALE | DESIGN UNITS | THIRD ANGLE PROJECTION |
| | ▽=0 | mm INCH | MM ONLY | 5:1 | METRIC | |
| | ▽=0 | 4 PLACES ± --- ± --- | DRAWN BY DATE | | | TITLE |
| | ▽=0 | 3 PLACES ± --- ± --- | MYOUNG01 2013/01/31 | CHECKED BY DATE | | MINI 50 SINGLE/DUAL ROW CPA-RECEPTACLE ASSEMBLY SALES DRAWING |
| ▽=0 | 2 PLACES ± 0.10 ± --- | APPROVED BY DATE | | | DOCUMENT NO. | SHEET NO. |
| ▽=0 | 1 PLACE ± 0.20 ± --- | RBAUMAN 2013/11/13 | | | SD-34824-003 | 3 OF 5 |
| | 0 PLACE ± --- ± --- | MATERIAL NO. | | | | |
| | ANGULAR ± 1° | | | | | |
| | DRAFT WHERE APPLICABLE MUST REMAIN WITHIN DIMENSIONS | | SEE TABLE | | | |
| | | | THIS DRAWING CONTAINS INFORMATION THAT IS PROPRIETARY TO MOLEX INCORPORATED AND SHOULD NOT BE USED WITHOUT WRITTEN PERMISSION | | | |

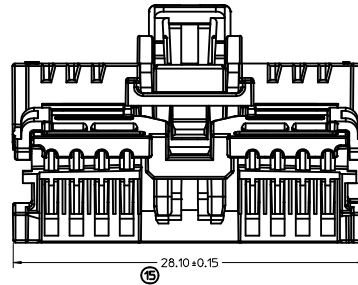
12 CKT USCAR COMPATIBLE RECEPTACLE W/CPA



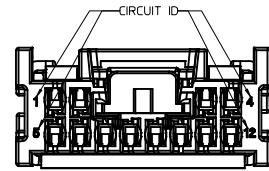
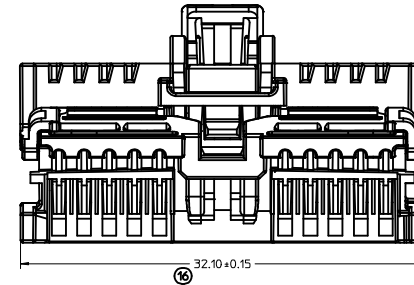
16 CKT RECEPTACLE W/CPA



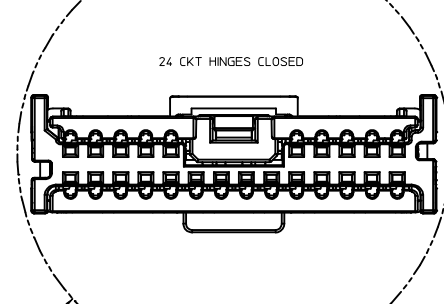
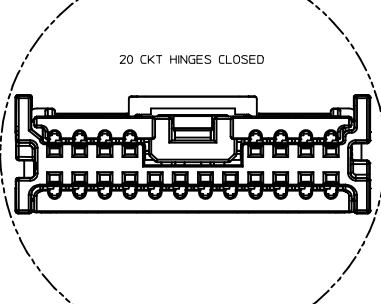
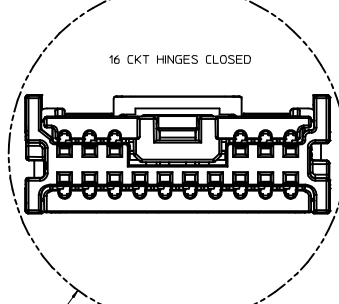
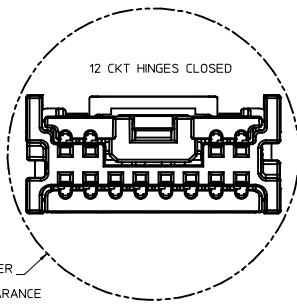
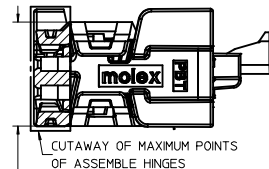
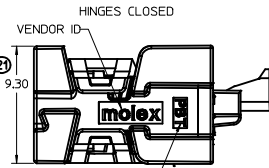
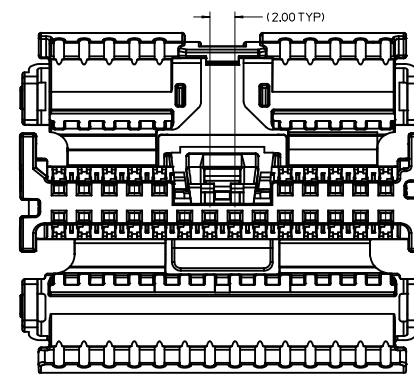
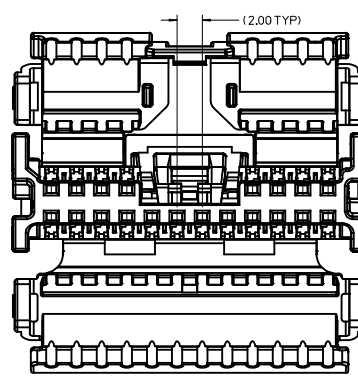
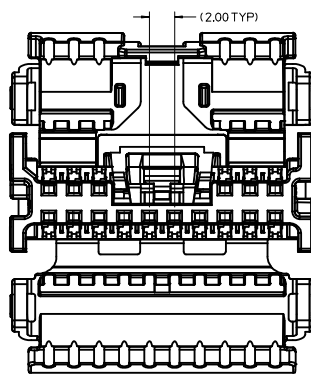
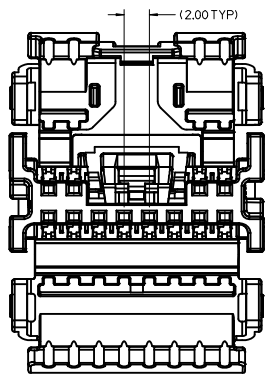
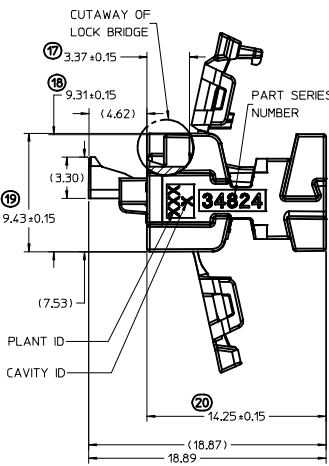
20 CKT RECEPTACLE W/CPA



24 CKT RECEPTACLE W/CPA



DUAL ROW LOCK BRIDGE OPTION



PASS THRU DIAMETER (ø23.16)
 1 mm ADDITIONAL CLEARANCE ADDED TO TIGHTEST FIT CIRCLE

PASS THRU DIAMETER (ø26.87)
 1 mm ADDITIONAL CLEARANCE ADDED TO TIGHTEST FIT CIRCLE

PASS THRU DIAMETER (ø30.65)
 1 mm ADDITIONAL CLEARANCE ADDED TO TIGHTEST FIT CIRCLE

PASS THRU DIAMETER (ø34.47)
 1 mm ADDITIONAL CLEARANCE ADDED TO TIGHTEST FIT CIRCLE

(8.47 MAX)

| | | | | | | |
|---|--|---------------------------------------|---|--------------|--------------|---|
| UPDATED 4.8.12 P/N EC NO: UAU2016-0125 DRAWN BY: DRWINKHEMITT CHKD: APPR:RBAUMAN 2015/07/28 | QUALITY SYMBOLS | GENERAL TOLERANCES (UNLESS SPECIFIED) | DIMENSION STYLE | SCALE | DESIGN UNITS | THIRD ANGLE PROJECTION |
| | ▽=0 | mm INCH | MM ONLY | 5:1 | METRIC | ☐ |
| | ▽=0 | 4 PLACES ± --- ± --- | DRAWN BY DATE | | | |
| | ▽=0 | 3 PLACES ± --- ± --- | MYOUNG01 2013/01/31 | | | |
| | 2 PLACES ± 0.10 ± --- | CHECKED BY DATE | | | | TITLE |
| | 1 PLACE ± 0.20 ± --- | APPROVED BY DATE | | | | MINI 50 SINGLE/DUAL ROW CPA-RECEPTACLE ASSEMBLY SALES DRAWING |
| | 0 PLACE ± --- ± --- | RBAUMAN 2013/11/13 | | | | molex |
| | ANGULAR ± 1° | MATERIAL NO. | SEE TABLE | DOCUMENT NO. | SD-34824-003 | SHEET NO. 4 OF 5 |
| | DRAFT WHERE APPLICABLE MUST REMAIN WITHIN DIMENSIONS | | THIS DRAWING CONTAINS INFORMATION THAT IS PROPRIETARY TO MOLEX INCORPORATED AND SHOULD NOT BE USED WITHOUT WRITTEN PERMISSION | | | |

SINGLE ROW ASSEMBLY
(RECEPTACLE WITH CPA)

| MOLEX MATERIAL NUMBER BULK PACKAGING PK-31301-538 | GENERAL MOTORS PART NUMBER | CONFIGURATION | CIRCUIT | POL | COLOR | MATING COMPONENT | | | | | |
|---|-------------------------------|------------------|---------|-----|------------|---|--------------------------------|--------------------------------|--------------------------------|--------------------------------|--------------------------------|
| | | | | | | SURFACE MOUNT TECHNOLOGY (SMT) HEADER | | VERTICAL THRU HOLE HEADER | | RIGHT ANGLE THRU HOLE HEADERS | |
| | | | | | | TAPE AND REEL PACKAGING PK-31301-786 | TUBE PACKAGING PK-31301-688 | TRAY PACKAGING PK-31301-440 | TUBE PACKAGING PK-31301-688 | TRAY PACKAGING PK-31301-440 | TUBE PACKAGING PK-31301-688 |
| 34791-5140 | 13507113 | USCAR COMPATIBLE | 4 | A | BLACK | 34912-8040 | 34912-9040 | 34792-0040 | 34792-9040 | 34793-0040 | 34793-9040 |
| 34791-5141 | 13507115 | USCAR COMPATIBLE | 4 | B | LIGHT GRAY | 34912-8041 | 34912-9041 | 34792-0041 | 34792-9041 | 34793-0041 | 34793-9041 |
| 34791-5142 | 13507116 | USCAR COMPATIBLE | 4 | C | DARK GRAY | 34912-8042 | 34912-9042 | 34792-0042 | 34792-9042 | 34793-0042 | 34793-9042 |
| 34791-5143 | 13507117 | USCAR COMPATIBLE | 4 | D | GREEN | 34912-8043 | 34912-9043 | 34792-0043 | 34792-9043 | 34793-0043 | 34793-9043 |
| 34791-5180 | 13507118 | USCAR COMPATIBLE | 8 | A | BLACK | 34912-8080 | 34912-9080 | 34792-0080 | 34792-9080 | 34793-0080 | 34793-9080 |
| 34791-5181 | 13507119 | USCAR COMPATIBLE | 8 | B | LIGHT GRAY | 34912-8081 | 34912-9081 | 34792-0081 | 34792-9081 | 34793-0081 | 34793-9081 |
| 34791-5182 | 13507120 | USCAR COMPATIBLE | 8 | C | DARK GRAY | 34912-8082 | 34912-9082 | 34792-0082 | 34792-9082 | 34793-0082 | 34793-9082 |

DUAL ROW ASSEMBLY
(RECEPTACLE WITH CPA)

| MOLEX MATERIAL NUMBER BULK PACKAGING PK-31301-538 | GENERAL MOTORS PART NUMBER | CONFIGURATION | CIRCUIT | POL | COLOR | MATING COMPONENT | | | | | |
|---|-------------------------------|------------------|---------|-----|------------|---|--------------------------------|--------------------------------|--------------------------------|--------------------------------|--------------------------------|
| | | | | | | SURFACE MOUNT TECHNOLOGY (SMT) HEADER | | VERTICAL THRU HOLE HEADER | | RIGHT ANGLE THRU HOLE HEADER | |
| | | | | | | TAPE AND REEL PACKAGING PK-31301-786 | TUBE PACKAGING PK-31301-688 | TRAY PACKAGING PK-31301-440 | TUBE PACKAGING PK-31301-688 | TRAY PACKAGING PK-31301-440 | TUBE PACKAGING PK-31301-688 |
| 34824-5124 | 13507121 | USCAR COMPATIBLE | 12 | A | BLACK | 34897-8120 | 34897-9120 | 34825-0124 | 34825-9124 | 34826-0124 | 34826-9124 |
| 34824-5125 | 13507122 | USCAR COMPATIBLE | 12 | B | LIGHT GRAY | 34897-8121 | 34897-9121 | 34825-0125 | 34825-9125 | 34826-0125 | 34826-9125 |
| 34824-5126 | 13507114 | USCAR COMPATIBLE | 12 | C | DARK GRAY | 34897-8122 | 34897-9122 | 34825-0126 | 34825-9126 | 34826-0126 | 34826-9126 |
| 34824-2160 | N/A | MOLEX | 16 | A | BLACK | 34897-8160 | 34897-9160 | 34825-0160 | 34825-9160 | 34826-0160 | 34826-9160 |
| 34824-2161 | N/A | MOLEX | 16 | B | LIGHT GRAY | 34897-8161 | 34897-9161 | 34825-0161 | 34825-9161 | 34826-0161 | 34826-9161 |
| 34824-2162 | N/A | MOLEX | 16 | C | DARK GRAY | 34897-8162 | 34897-9162 | 34825-0162 | 34825-9162 | 34826-0162 | 34826-9162 |
| 34824-2200 | 13596105 | MOLEX | 20 | A | BLACK | 34897-8200 | 34897-9200 | 34825-0200 | 34825-9200 | 34826-0200 | 34826-9200 |
| 34824-2201 | 13596106 | MOLEX | 20 | B | LIGHT GRAY | 34897-8201 | 34897-9201 | 34825-0201 | 34825-9201 | 34826-0201 | 34826-9201 |
| 34824-2202 | 13596107 | MOLEX | 20 | C | DARK GRAY | 34897-8202 | 34897-9202 | 34825-0202 | 34825-9202 | 34826-0202 | 34826-9202 |
| 34824-2240 | N/A | MOLEX | 24 | A | BLACK | 34897-8240 | 34897-9240 | 34825-0240 | 34825-9240 | 34826-0240 | 34826-9240 |
| 34824-2241 | N/A | MOLEX | 24 | B | LIGHT GRAY | 34897-8241 | 34897-9241 | 34825-0241 | 34825-9241 | 34826-0241 | 34826-9241 |
| 34824-2242 | N/A | MOLEX | 24 | C | DARK GRAY | 34897-8242 | 34897-9242 | 34825-0242 | 34825-9242 | 34826-0242 | 34826-9242 |

*NOTE: MOLEX CONFIGURATION CONSISTS OF AN EXPANSION OF THE 12CKT USCAR-COMPATIBLE CONFIGURATION TO ALLOW FOR 16, 20, AND 24 CIRCUITS

MINI50 CPA (APPLIES TO SINGLE AND DUAL ROW BRIDGED RECEPTACLE CONNECTORS)

| MATERIAL NUMBER | COLOR | MATING COMPONENT |
|-----------------|---------|------------------|
| 34824-7000 | NATURAL | SEE CHARTS ABOVE |

CTX50 UNSEALED RECEPTACLE TERMINALS

| PART NUMBER | | MATERIAL | WIRE GAGE (mm ²) | GRIP |
|-------------------------|--------------------------|--------------|---------------------------------|--------|
| D-WIND (LEFT PAYOFF) | B-WIND (RIGHT PAYOFF) | | | |
| 560023-0448 | 560023-0450 | COPPER ALLOY | 0.35 | LARGE |
| 560023-0421 | 560023-0423 | COPPER ALLOY | 0.22 | MEDIUM |
| 560023-0422 | 560023-0424 | COPPER ALLOY | 0.13 | SMALL |

| | | | | | | |
|---|--|---|-----------------|---------------------|--------------|---|
| UPDATED 4.8.12 P/N ELEC NO: UAU2016-0125 DRAWN BY: DRANKHEMIT CHKD: APPR:RBAUMAN 2015/07/28 | QUALITY SYMBOLS | GENERAL TOLERANCES (UNLESS SPECIFIED) | DIMENSION STYLE | SCALE | DESIGN UNITS | THIRD ANGLE PROJECTION |
| | ▽=0 | mm INCH | MM ONLY | 5:1 | METRIC | |
| | ▽=0 | 4 PLACES ± --- ± --- | DRAWN BY DATE | | | |
| | ▽=0 | 3 PLACES ± --- ± --- | CHECKED BY DATE | MYOUNGO1 2013/01/31 | | |
| | 2 PLACES ± 0.10 ± --- | APPROVED BY DATE | | | | MINI 50 SINGLE/DUAL ROW CPA-RECEPTACLE ASSEMBLY SALES DRAWING molex |
| | 1 PLACE ± 0.20 ± --- | RBAUMAN 2013/11/13 | | | | |
| | 0 PLACE ± --- ± --- | ANGULAR ± 1° | MATERIAL NO. | DOCUMENT NO. | | SHEET NO. |
| | DRAFT WHERE APPLICABLE MUST REMAIN WITHIN DIMENSIONS | SEE TABLE | | SD-34824-003 | | 5 OF 5 |
| | | THIS DRAWING CONTAINS INFORMATION THAT IS PROPRIETARY TO MOLEX INCORPORATED AND SHOULD NOT BE USED WITHOUT WRITTEN PERMISSION | | | | |