



Chipsmall Limited consists of a professional team with an average of over 10 year of expertise in the distribution of electronic components. Based in Hongkong, we have already established firm and mutual-benefit business relationships with customers from,Europe,America and south Asia,supplying obsolete and hard-to-find components to meet their specific needs.

With the principle of “Quality Parts,Customers Priority,Honest Operation,and Considerate Service”,our business mainly focus on the distribution of electronic components. Line cards we deal with include Microchip,ALPS,ROHM,Xilinx,Pulse,ON,Everlight and Freescale. Main products comprise IC,Modules,Potentiometer,IC Socket,Relay,Connector.Our parts cover such applications as commercial,industrial, and automotives areas.

We are looking forward to setting up business relationship with you and hope to provide you with the best service and solution. Let us make a better world for our industry!



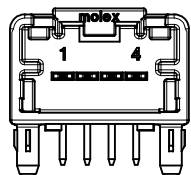
## Contact us

Tel: +86-755-8981 8866 Fax: +86-755-8427 6832

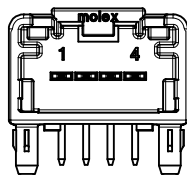
Email & Skype: info@chipsmall.com Web: www.chipsmall.com

Address: A1208, Overseas Decoration Building, #122 Zhenhua RD., Futian, Shenzhen, China

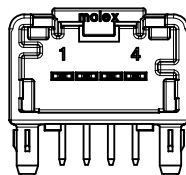




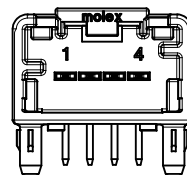
4 CIRCUIT RIGHT ANGLE HEADER  
POLARIZATION OPTION A



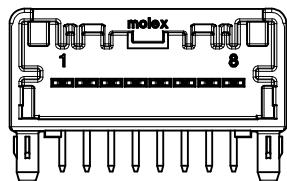
4 CIRCUIT RIGHT ANGLE HEADER  
POLARIZATION OPTION B



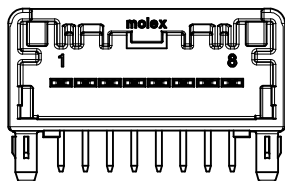
4 CIRCUIT RIGHT ANGLE HEADER  
POLARIZATION OPTION C



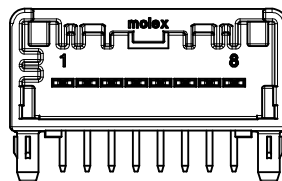
4 CIRCUIT RIGHT ANGLE HEADER  
POLARIZATION OPTION D



8 CIRCUIT RIGHT ANGLE HEADER  
POLARIZATION OPTION A



8 CIRCUIT RIGHT ANGLE HEADER  
POLARIZATION OPTION B



8 CIRCUIT RIGHT ANGLE HEADER  
POLARIZATION OPTION C

MINI50 RIGHT ANGLE HEADER ASSEMBLIES

MATERIAL NUMBER			CONFIGURATION	CIRCUIT	POL	COLOR	BLADE PLATING	MATING COMPONENT	
TAPE AND REEL PK-47799-0001	TUBE PACKAGING PK-31301-688	TRAY PACKAGING PK-31301-440						UN-BRIDGED	BRIDGED
34793-8040	34793-9040	34793-0040	USCAR	4	A	BLACK	TIN OVER NICKEL	34791-0040	34791-0140
34793-8041	34793-9041	34793-0041	USCAR	4	B	GRAY	TIN OVER NICKEL	34791-0041	34791-0141
34793-8042	34793-9042	34793-0042	USCAR	4	C	DARK GRAY	TIN OVER NICKEL	34791-0042	34791-0142
34793-8043	34793-9043	34793-0043	USCAR	4	D	GREEN	TIN OVER NICKEL	34791-0043	34791-0143
34793-8080	34793-9080	34793-0080	USCAR	8	A	BLACK	TIN OVER NICKEL	34791-0080	34791-0180
34793-8081	34793-9081	34793-0081	USCAR	8	B	GRAY	TIN OVER NICKEL	34791-0081	34791-0181
34793-8082	34793-9082	34793-0082	USCAR	8	C	DARK GRAY	TIN OVER NICKEL	34791-0082	34791-0182

NOTES: VALID UNLESS OTHERWISE SPECIFIED

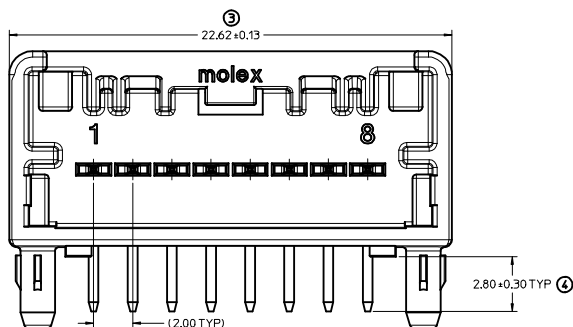
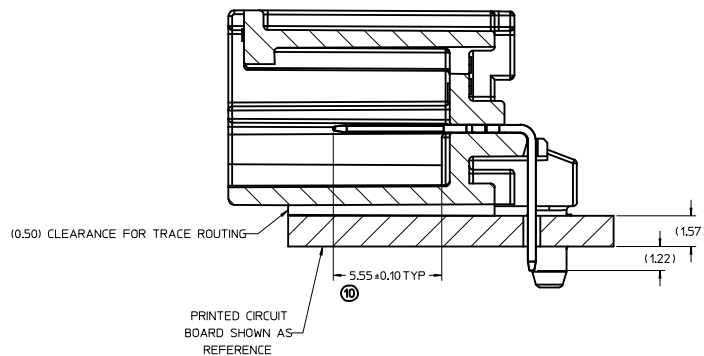
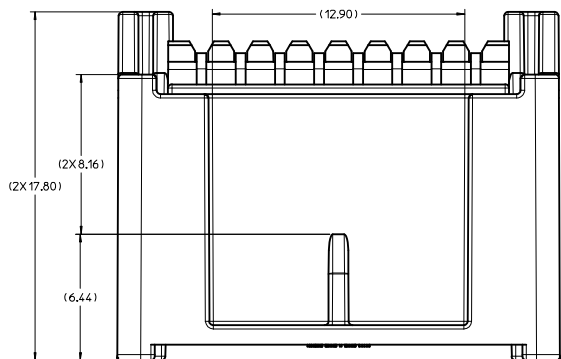
1. GENERAL:
  - a. APPLICATION SPECIFICATION SEE: AS-34791-020
  - b. PRODUCT SPECIFICATION SEE: PS-34791-020
  - c. PACKAGING SPECIFICATION PER MOLEX DRAWING; SEE CHART
  - d. SOLDERABILITY PER SMES-152
  - e. PARTS MUST BE IN COMPLIANCE TO MOLEX CHEMICAL SUBSTANCES FOR PRODUCTS AND PACKAGING SPECIFICATION: OEHS-699000-300
  - f. DATA MUST BE SUBMITTED UNDER THE MOLEX PART NUMBER TO IMDS (COMPANY ID#13255)
  - g. FLAMMABILITY REQUIREMENT: PER ISO3795 OR GM3191
  - h. VISUAL DEFECTS SHALL MEET COSMETIC STANDARD PS-45499-002 (Class B)
2. DESIGN - MATERIALS:
  - a. SHROUD (PLASTIC HOUSING): SPS 30% GF, 20% REGRIND MAX PER WEIGHT
  - b. BLADES:
    - BASE METAL: C260 BRASS
    - PLATING REQUIREMENTS:
      - TIN OVER NICKEL
      - UNDERPLATING:
        - OVERALL NICKEL
        - OVERPLATING:
          - OVERALL TIN
3. DESIGN - GEOMETRY:
  - a. THIS IS A 100% CAD GENERATED PART. THE CAD MATHEMATICAL DATA IS THE MASTER FOR THIS PART. FOR DIMENSIONAL OR ANY INFORMATION NOT SHOWN ON THIS DRAWING, ANALYZE THE CAD MODEL.
  - b. GEOMETRIC DIMENSIONS AND TOLERANCES PER ASME Y14.5M - 2009
  - c. GENERAL TOLERANCES:
    - LINEAR: SEE TITLE BLOCK
    - ANGULAR: ±3°
  - d. EDGES AND UNDIMENSIONED DETAILS PER ISO13715
  - e. CORNERS SHOWN AS SHARP TO BE R 0.1 MAX
  - f. LETTERING SHALL BE 0.10 MAX RAISED. THIS INCLUDES RECYCLING CODE, PLANT AND CAVITY ID, VENDOR ID, AND CIRCUIT ID.

LAST BALLOON ON DRAWING:  
②  
DELETED BALLOONS:  
①

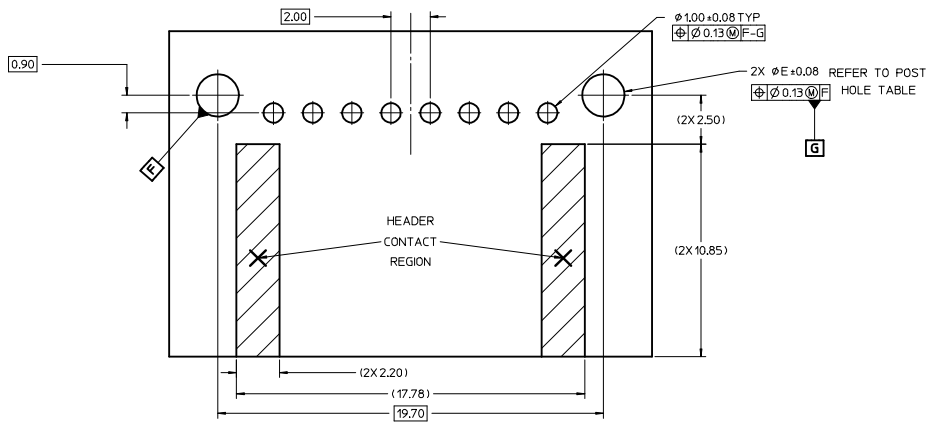
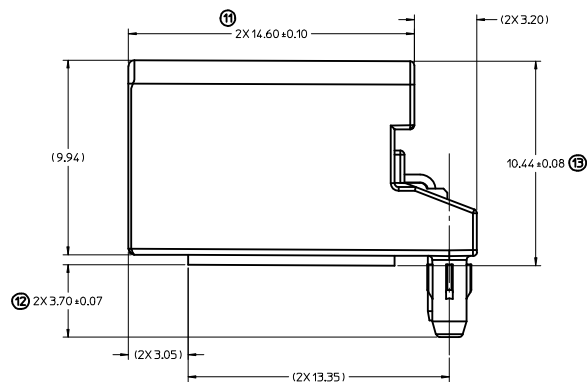
DARK GRAY POL C IEC NO: UAU2017-0868 TDR: DRINKHEWITT 2017/03/24 CHKD: APPR: RBALMAIN 2017/03/24 REV DESCRIPTION	QUALITY SYMBOLS		GENERAL TOLERANCES (UNLESS SPECIFIED)		DIMENSION STYLE		SCALE	DESIGN UNITS	THIRD ANGLE PROJECTION	
	▽=0	▽=0	▽=0	mm	INCH	MM ONLY	5:1	METRIC	DRAWN BY: JDUNAJ DATE: 2010/06/21 CHECKED BY: BDLCK DATE: 2010/06/21 APPROVED BY: SMARCEAU DATE: 2011/11/21	
	4 PLACES ±---	3 PLACES ±---	2 PLACES ±0.10	1 PLACE ±0.20	ANGULAR ±---	MATERIAL NO.		DOCUMENT NO.		SHEET NO.
	DRAFT WHERE APPLICABLE MUST REMAIN WITHIN DIMENSIONS			SEE TABLE		SD-34793-001		MOLEX INCORPORATED		1 OF 3



# 8 CKT RIGHT ANGLE HEADER



PCB LAYOUT  
CONNECTOR MATE SIDE



POST HOLE TABLE

	DIM 'E'
PRESS FIT	2.15
DROP IN	2.55

<b>DARK GRAY POL C</b> EC NO: UAU2017-0868 CHYK: 2017/03/24 APPR:RBALMAN 2017/03/24	QUALITY SYMBOLS	GENERAL TOLERANCES (UNLESS SPECIFIED)	DIMENSION STYLE	SCALE	DESIGN UNITS	THIRD ANGLE PROJECTION
	▽=0	mm INCH	MM ONLY	8:1	METRIC	
	▽=0	4 PLACES ± --- ± ---	DRAWN BY	DATE	TITLE	
	▽=0	3 PLACES ± --- ± ---	JDUNAJ	2010/06/21	MINI 50 SINGLE ROW R/A HEADER ASSEMBLY SALES DRAWING	
▽=0	2 PLACES ± 0.10 ± ---	CHECKED BY	DATE			
▽=0	1 PLACE ± 0.20 ± ---	BIDICK	2010/06/21			
	0 PLACE ± ±	APPROVED BY	DATE			
	ANGULAR ± --- ± ---	SMARCEAU	2011/11/21			
	DRAFT WHERE APPLICABLE MUST REMAIN WITHIN DIMENSIONS	MATERIAL NO.	SEE CHART	DOCUMENT NO.	SD-34793-001	SHEET NO. 3 OF 3
		THIS DRAWING CONTAINS INFORMATION THAT IS PROPRIETARY TO MOLEX INCORPORATED AND SHOULD NOT BE USED WITHOUT WRITTEN PERMISSION				