



Chipsmall Limited consists of a professional team with an average of over 10 year of expertise in the distribution of electronic components. Based in Hongkong, we have already established firm and mutual-benefit business relationships with customers from,Europe,America and south Asia,supplying obsolete and hard-to-find components to meet their specific needs.

With the principle of “Quality Parts,Customers Priority,Honest Operation,and Considerate Service”,our business mainly focus on the distribution of electronic components. Line cards we deal with include Microchip,ALPS,ROHM,Xilinx,Pulse,ON,Everlight and Freescale. Main products comprise IC,Modules,Potentiometer,IC Socket,Relay,Connector.Our parts cover such applications as commercial,industrial, and automotives areas.

We are looking forward to setting up business relationship with you and hope to provide you with the best service and solution. Let us make a better world for our industry!



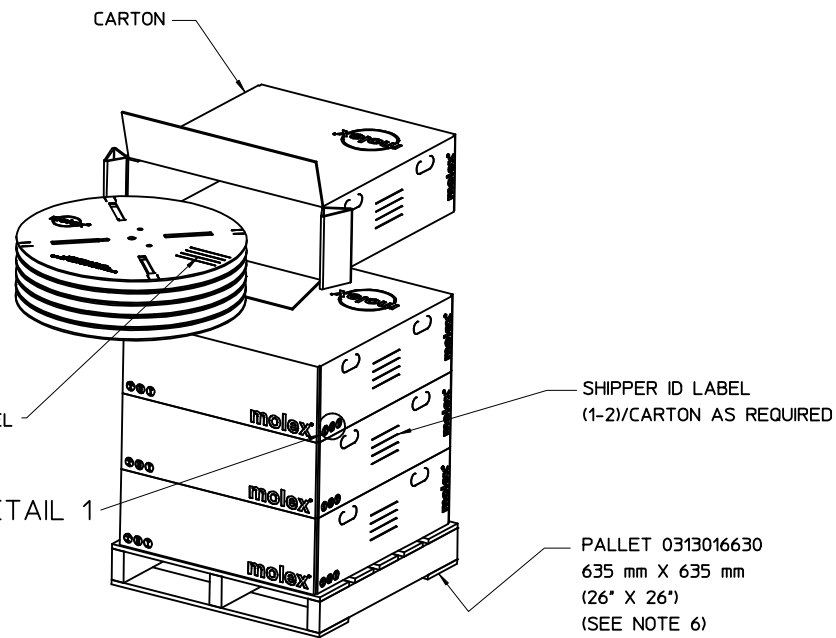
Contact us

Tel: +86-755-8981 8866 Fax: +86-755-8427 6832

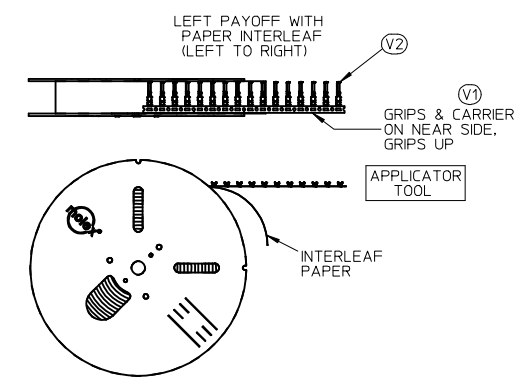
Email & Skype: info@chipsmall.com Web: www.chipsmall.com

Address: A1208, Overseas Decoration Building, #122 Zhenhua RD., Futian, Shenzhen, China



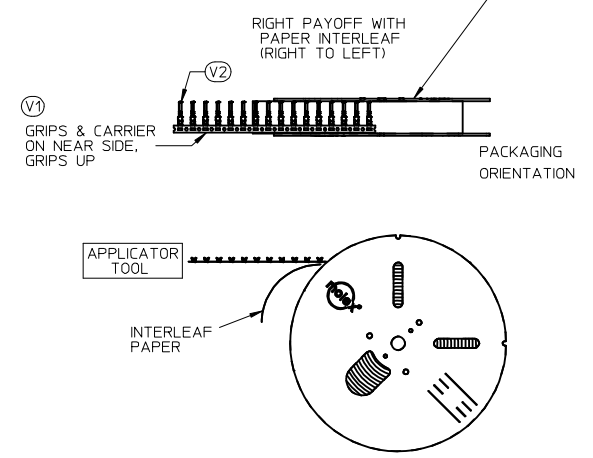


PAYOFF DIRECTION D

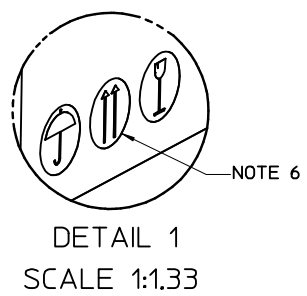


PLACE PRODUCT ID LABEL ON THIS SIDE TO INDICATE THE PREFERRED PACKAGING ORIENTATION

PAYOFF DIRECTION B



CUSTOMER COPY



- NOTES:**
1. NUMBER OF TERMINALS PER REEL: SEE TABLE (SHEET 2)
 2. STANDARD PACK QUANTITY (SPQ): SEE TABLE (SHEET 2)
 3. NUMBER OF REELS PER CARTON: SEE TABLE (SHEET 2)
 4. SPLICING: NO BREAKS, MAXIMUM 1 WELD PER REEL
 5. TO MINIMIZE STRESS ON TERMINALS, REELS SHOULD ALWAYS BE SHIPPED ON PALLETS WITH THE REELS LAYING FLAT AS SHOWN.
 6. PLACE CARTONS ON PALLET WITH ARROWS POINTING UP PER DETAIL 1
 7. FOR INTERNAL COPY SEE: PK-31301-053

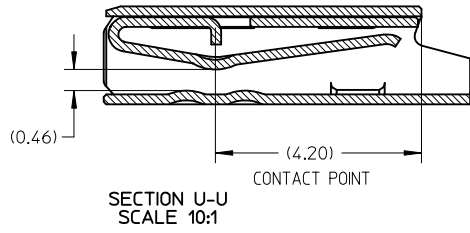
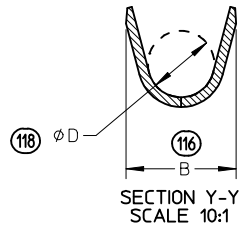
SPO CORRECTION EC NO: UAU2015-0955 DRAWN: PHELPS 2014/12/19 CHKD: APPR: JNORTHRO 2015/01/26 REV: 4	QUALITY SYMBOLS ▽=0 ▽=0	GENERAL TOLERANCES (UNLESS SPECIFIED) <table border="1"> <tr> <th></th> <th>mm</th> <th>INCH</th> </tr> <tr> <td>4 PLACES ±</td> <td>---</td> <td>---</td> </tr> <tr> <td>3 PLACES ±</td> <td>---</td> <td>---</td> </tr> <tr> <td>2 PLACES ±</td> <td>---</td> <td>---</td> </tr> <tr> <td>1 PLACE ±</td> <td>---</td> <td>---</td> </tr> </table> ANGULAR ± 1 °		mm	INCH	4 PLACES ±	---	---	3 PLACES ±	---	---	2 PLACES ±	---	---	1 PLACE ±	---	---	DIMENSION STYLE MM ONLY DRAWN BY: PHELPS DATE: 2012/10/24 CHECKED BY: DATE:	SCALE 1:10 DESIGN UNITS METRIC THIRD ANGLE PROJECTION	TITLE CTX PACKAGING SPEC GEN. MKT. PRODUCT CUSTOMER COPY
		mm	INCH																	
	4 PLACES ±	---	---																	
	3 PLACES ±	---	---																	
2 PLACES ±	---	---																		
1 PLACE ±	---	---																		
DRAFT WHERE APPLICABLE MUST REMAIN WITHIN DIMENSIONS	APPROVED BY: JNORTHRO DATE: 2012/11/26	MATERIAL NO. SEE TABLE	MOLEX MOLEX INCORPORATED DOCUMENT NO. SD-31301-053	SHEET NO. 1 OF 2																
SIZE C	THIS DRAWING CONTAINS INFORMATION THAT IS PROPRIETARY TO MOLEX INCORPORATED AND SHOULD NOT BE USED WITHOUT WRITTEN PERMISSION																			

PACKAGING DATA											
PRODUCT DESCRIPTION	CTX 64				CTX 150			CTX 280 SEALED			
PRODUCT P/N SERIES	0348030*** 0348031*** 0348032***		0348033*** 0348035***		034805****			034808****			
GRIP CODE	S	L	S	L	S	M	L	VS	S	M	L
PART WT (Kg/1000)	.1552	.1642	.126	.126	.3070	.3270	.3470	.6596	.6886	.7106	.7332
STAND PACK QTY (SPQ)	60000	60000	60000	60000	35000	30000	25000	10000	10000	10000	10000
QTY/REEL	10000	10000	10000	10000	7000	6000	5000	2000	2000	2000	2000
REELS/SHIPPER CARTON	6	6	6	6	5	5	5	5	5	5	5
CARTONS/PALLET (MAX)	5	5	5	5	5	5	5	5	5	5	5
FILLED CARTON WT (Kg)	14.83	15.37	TBD	TBD	15.64	14.70	13.57	11.5	11.8	12.0	12.2
FLANGE DIAMETER (MM)	610	610	610	610	610	610	610	610	610	610	610

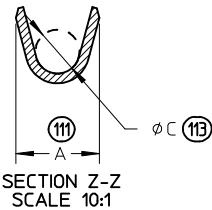
CUSTOMER COPY

SPQ CORRECTION EC NO: UAU2015-0955 DRWN:PPHELPS 2014/12/19 CHKD: APPR: JNORTHRO 2015/01/26 REV: 4	DESCRIPTION JNORTHRO	QUALITY SYMBOLS	GENERAL TOLERANCES (UNLESS SPECIFIED) mm INCH 4 PLACES ± --- ± --- 3 PLACES ± --- ± --- 2 PLACES ± --- ± --- 1 PLACE ± --- ± --- ANGULAR ± 1 °	DIMENSION STYLE	SCALE	DESIGN UNITS	THIRD ANGLE PROJECTION		
		▽=0 ▽=0		MM ONLY	1:15	METRIC			
				DRAWN BY DATE PPHELPS 2012/10/24 CHECKED BY DATE	TITLE		CTX PACKAGING SPEC GEN. MRKT. PRODUCT CUSTOMER COPY		
				APPROVED BY DATE JNORTHRO 2012/11/26	MOLEX INCORPORATED DOCUMENT NO. SD-31301-053		SHEET NO. 2 OF 2		
DRAFT WHERE APPLICABLE MUST REMAIN WITHIN DIMENSIONS			SEE TABLE	THIS DRAWING CONTAINS INFORMATION THAT IS PROPRIETARY TO MOLEX INCORPORATED AND SHOULD NOT BE USED WITHOUT WRITTEN PERMISSION					

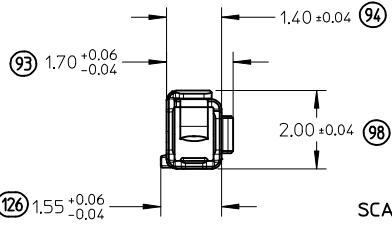
TIN CONTACT SHAPE



INSULATION GRIP



CONDUCTOR GRIP



SCALE 8:1

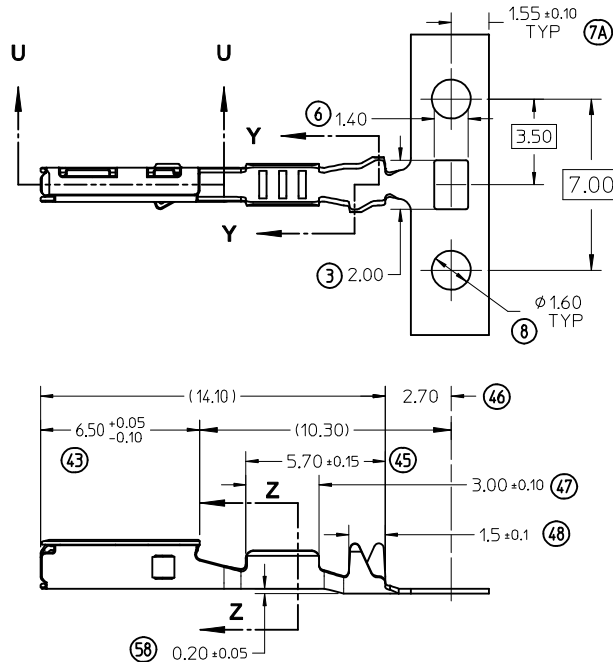


TABLE 1

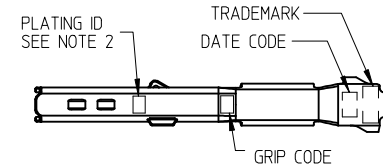
FAMILY	GENDER	SEALING	PLATING	PART NO	PAYOFF DIRECTION	GRIP CODE	WIRE SIZES*	A ± 0.20	B ± 0.30	C ± 0.10	D ± 0.20	SPECIAL CHARACTERISTICS	
CTX64	RECEPTACLE	MAT SEAL	Sn	34803-3211	LEFT (D)	S	22AWG	1.80	2.40	0.90	1.36	STANDARD PERFORMANCE TIN	
				34803-3213	RIGHT (B)		0.22-0.35mm ²						
				34803-3212	LEFT (D)	L	20AWG	2.15	2.50	1.20	1.72	STANDARD PERFORMANCE TIN	
			Ag	34803-3214	RIGHT (B)		0.50-0.85mm ²						
				34803-5303	LEFT (D)	S	22AWG	1.80	2.40	0.90	1.36	HIGH PERFORMANCE SILVER	
				34803-5305	LEFT (D)	L	20AWG	2.15	2.50	1.20	1.72	HIGH PERFORMANCE SILVER	
34803-5307	RIGHT (B)		0.22-0.35mm ²										
34803-5309	RIGHT (B)		0.50-0.85mm ²										

* SEE AS-502306-002 FOR SPECIFIC WIRE TYPES

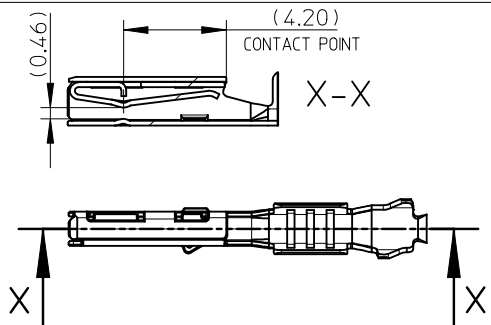
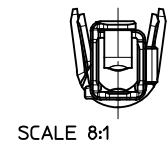


NOTES: (UNLESS OTHERWISE SPECIFIED)

- MATERIAL: COPPER ALLOY
- PLATING MARK: TIN (Sn) - NO MARK
SILVER (Ag) - A
- PACKAGING PER SD-31301-053
- CRIMPING PER AS-502306-002
- PROBING AT ANY LOCATION ON THE TERMINAL BEAM IS NOT PERMITTED
- PRODUCT SPECIFICATION PER PS-502306-001
- ANTI-TARNISH TREATMENT FOR SILVER PLATED AREA: SYNTHETIC HYDROCARBON CONTACT SURFACE FINISH OR EQUIVALENT



SILVER CONTACT SHAPE



ADD SILVER CONTACT P/N EC NO: GZ016-0163 DRWN: VJOUAS 2016/06/06 CHKD: BMOSER 2016/06/06 APPR: OPLESS IS 2016/06/13 B	QUALITY SYMBOLS F=0 E=0 F=0	GENERAL TOLERANCES (UNLESS SPECIFIED) mm INCH 4 PLACES ± --- ± --- 3 PLACES ± --- ± --- 2 PLACES ± 0.08 ± --- 1 PLACE ± 0.08 ± --- 0 PLACE ± --- ± --- ANGULAR ± 1° DRAFT WHERE APPLICABLE MUST REMAIN WITHIN DIMENSIONS	DIMENSION STYLE MM ONLY DRAWN BY DATE AKARANA 2013/03/05 CHECKED BY DATE ADHIR 2013/06/05 APPROVED BY DATE BMOSER 2013/06/27	SCALE 5:1 DESIGN UNITS METRIC THIRD ANGLE PROJECTION	TITLE CTX64 RECEPTACLE TERMINAL	MATERIAL NO. SEE TABLE	DOCUMENT NO. SD-34803-002	SHEET NO. 1 OF 1
	THIS DRAWING CONTAINS INFORMATION THAT IS PROPRIETARY TO MOLEX INCORPORATED AND SHOULD NOT BE USED WITHOUT WRITTEN PERMISSION							
	molex							
	SD-34803-002							