



Chipsmall Limited consists of a professional team with an average of over 10 year of expertise in the distribution of electronic components. Based in Hongkong, we have already established firm and mutual-benefit business relationships with customers from,Europe,America and south Asia,supplying obsolete and hard-to-find components to meet their specific needs.

With the principle of “Quality Parts,Customers Priority,Honest Operation,and Considerate Service”,our business mainly focus on the distribution of electronic components. Line cards we deal with include Microchip,ALPS,ROHM,Xilinx,Pulse,ON,Everlight and Freescale. Main products comprise IC,Modules,Potentiometer,IC Socket,Relay,Connector.Our parts cover such applications as commercial,industrial, and automotives areas.

We are looking forward to setting up business relationship with you and hope to provide you with the best service and solution. Let us make a better world for our industry!



Contact us

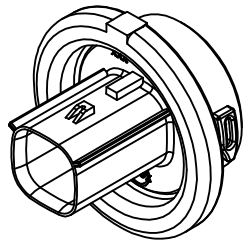
Tel: +86-755-8981 8866 Fax: +86-755-8427 6832

Email & Skype: info@chipsmall.com Web: www.chipsmall.com

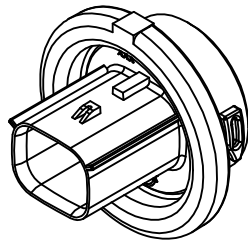
Address: A1208, Overseas Decoration Building, #122 Zhenhua RD., Futian, Shenzhen, China



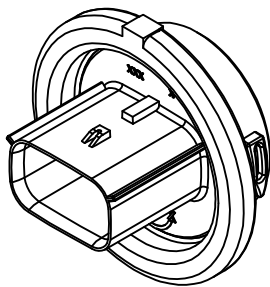
TABLE OF CONTENTS	
SHEET NO.	SHEET DESCRIPTION
1	NOTES
2	BOM SHEET 1
3	BOM SHEET 2
4	6/8 CKT KEY OPTION CONFIGURATIONS
5	12/16 CKT KEY OPTION CONFIGURATIONS
6	BULKHEAD CONNECTOR
7	6/8 CKT BULKHEAD CONNECTOR INTERFACE
8	6/8 CKT BULKHEAD CONNECTOR INTERFACE
9	12/16 CKT BULKHEAD CONNECTOR INTERFACE
10	12/16 CKT BULKHEAD CONNECTOR INTERFACE



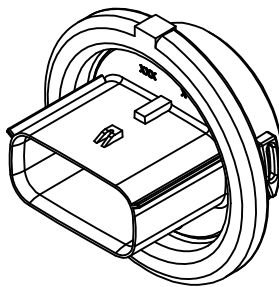
6 CIRCUIT



8 CIRCUIT



12 CIRCUIT



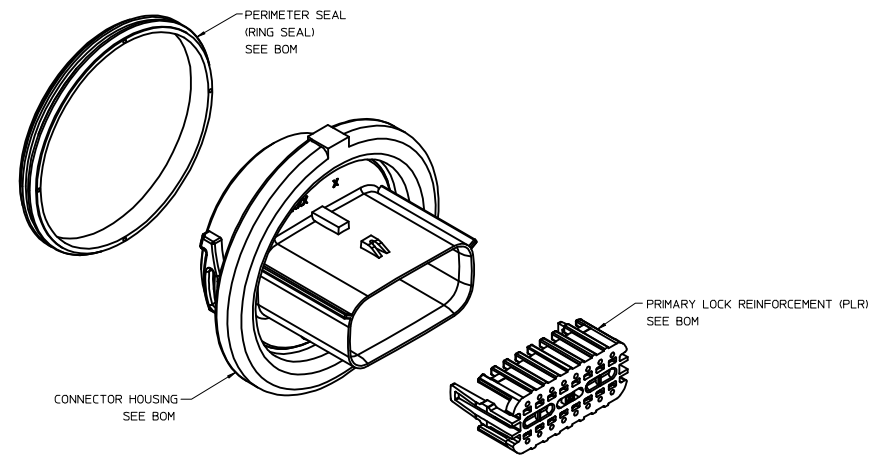
16 CIRCUIT

NOTES: VALID UNLESS OTHERWISE SPECIFIED

1. GENERAL:
 - a. APPLICATION SPECIFICATION SEE: AS-34840-001
 - CONTAINS: PRODUCT INTRODUCTION, PRODUCT SUMMARY, CONNECTOR ASSEMBLY, PACKAGING INFORMATION, CONNECTOR MATING, SERVICE INSTRUCTIONS, ELECTRICAL CONTINUITY CHECKING, CRIMPING, AND TROUBLESHOOTING.
 - DESIGNED TO MATE WITH RECEPTACLE HOUSING ASSEMBLY AS SPECIFIED IN DRAWING XXXX
 - FOR 1.5mm BLADE TERMINALS TO BE USED WITH THIS ASSEMBLY. SEE MOLEX DRAWING SD-33000-001.
 - SYSTEM TO BE USED WITH WIRE WITHIN DIAMETER RANGE OF TBD TO TBD.
 - ASSEMBLY SHIPPED WITH PLR IN PRE-LOCK POSITION (SEE SECTION A-A PRE-LOCK).
 - IN THE EVENT THAT THE PLR IS FOUND IN THE SEATED (FINAL LOCK) POSITION, REFER TO MOLEX SPECIFICATION PS-34646-001, AVAILABLE AT www.molex.com <<http://www.molex.com>>.
 - b. PRODUCT SPECIFICATION SEE: PS-34840-001
 - CONTAINS: PRODUCT INTRODUCTION, PRODUCT SUMMARY, RATINGS (CURRENT, TEMPERATURE, SEALING, AND FLAMMABILITY), AND PRODUCT VALIDATION.
 - c. PACKAGING SPECIFICATION PER MOLEX DRAWING: PK-31301-615
 - d. PARTS MUST BE IN COMPLIANCE TO MOLEX CHEMICAL SUBSTANCES FOR PRODUCTS AND PACKAGING SPECIFICATION: ES-40000-5016
 - e. DATA MUST BE SUBMITTED UNDER THE MOLEX PART NUMBER TO IMDS (COMPANY ID#13255)
2. DESIGN - MATERIALS:
 - a. SEE BOM TABLE
3. DESIGN - GEOMETRY:
 - a. THIS IS A 100% CAD GENERATED PART. THE CAD MATHEMATICAL DATA IS THE MASTER FOR THIS PART. FOR DIMENSIONAL OR ANY INFORMATION NOT SHOWN ON THIS DRAWING, ANALYZE THE CAD MODEL.
 - b. GEOMETRIC DIMENSIONS AND TOLERANCES PER ASME Y14.5M - 2009
 - c. EDGES AND UNDIMENSIONED DETAILS PER ISO13715
 - d. CORNERS SHOWN AS SHARP TO BE R 0.2 MAX.
 - e. LETTERING SHALL BE 0.15 MAX RAISED IN 0.25 MAX RECESS PAD. THIS INCLUDES RECYCLING CODE, CAVITY ID, VENDOR IDENTIFICATION, AND CUSTOMER MATERIAL NUMBER.
 - f. VISUAL DEFECTS SHALL MEET COSMETIC STANDARD PS-45499-002 (Class B) CAD MODEL.
 - g. LASER MARKING: TBD

B4	ADDED PART NUMBER OF UPDATED PLR
B3	UPDATED PART STATUS
B2	ADDED BASIC DIMENSION ON 6/8 CKT ICD
B1	UPDATED 12/16 CKT PART STATUS
B	ADDED NOTE 4
A	OK TO TOOL 6 & 8 CKT
4	ADDED 6/8 CKT PER CP1E UPDATES
3	UPDATED FORMAT
2	DESIGN RELEASE
1	QUOTE ONLY
REV	DESCRIPTION

INSPECTION BALLOON NUMBER LOG						
PER DRAWING REVISION: B3						
LAST BALLOON NUMBER USED: 30						
ADDED BALLOON NUMBERS:						
REMOVED BALLOON NUMBERS: NONE						
SEE REV. COLUMN	QUALITY SYMBOLS	GENERAL TOLERANCES (UNLESS SPECIFIED)	DIMENSION STYLE	SCALE	DESIGN UNITS	THIRD ANGLE PROJECTION
LEC NO: UAU2017-0788	▽=0	mm INCH	MM ONLY	2:1	METRIC	☉ □
DRAWN: WA	▽=0	4 PLACES ± --- ± ---	DRAWN BY DATE			
CHKD:	▽=0	3 PLACES ± --- ± ---	MDICK 2011/11/22			
APPR: KOEKGSKI	▽=0	2 PLACES ± 0.10 ± ---	CHECKED BY DATE			
DESCRIPTION		1 PLACE ± 0.20 ± ---	MYANSLAMBROU 2011/11/22			
		ANGULAR ± 3 °	APPROVED BY DATE			
		DRAFT WHERE APPLICABLE MUST REMAIN WITHIN DIMENSIONS				
			MATERIAL NO.	DOCUMENT NO.		
			SEE TABLE	SD-34840-001		
			SIZE D			
			THIS DRAWING CONTAINS INFORMATION THAT IS PROPRIETARY TO MOLEX INCORPORATED AND SHOULD NOT BE USED WITHOUT WRITTEN PERMISSION			



8 CKT KEY D, STONE GRAY	34840-4440									D	P	R	SALEABLE		
8 CKT KEY C, DARK GRAY	34840-4430									C	P	R	SALEABLE		
8 CKT KEY B, LIGHT GRAY	34840-4420									B	P	R	SALEABLE		
8 CKT KEY A, BLACK	34840-4410									A	P	R	SALEABLE		
8 CKT KEY D, STONE GRAY	34840-4040										D	P	R	SALEABLE	
8 CKT KEY C, DARK GRAY	34840-4030										C	P	R	SALEABLE	
8 CKT KEY B, LIGHT GRAY	34840-4020										B	P	R	SALEABLE	
8 CKT KEY A, BLACK	34840-4010										A	P	R	SALEABLE	
6 CKT KEY D, STONE GRAY	34840-3440										D	P	R	OK TO TOOL	
6 CKT KEY C, DARK GRAY	34840-3430										C	P	R	OK TO TOOL	
6 CKT KEY B, LIGHT GRAY	34840-3420										B	P	R	OK TO TOOL	
6 CKT KEY A, BLACK	34840-3410										A	P	R	OK TO TOOL	
6 CKT KEY D, STONE GRAY	34840-3040											D	P	R	SALEABLE
6 CKT KEY C, DARK GRAY	34840-3030											C	P	R	SALEABLE
6 CKT KEY B, LIGHT GRAY	34840-3020											B	P	R	SALEABLE
6 CKT KEY A, BLACK	34840-3010											A	P	R	SALEABLE
ASSEMBLY DESCRIPTION	ASSEMBLY PART NUMBER	PRODUCTION TOOL STATUS													

DESCRIPTION	COLOR	MATERIAL
6/8 CKT RING SEAL	LIGHT BLUE	INHERENTLY LUBRICATED SILICONE
UPDATED 8 CKT PLR	NATURAL	SPS/NYLON GF20
8 CKT PLR	NATURAL	SPS/NYLON GF20
8 CKT HOUSING KEYING OPTION D	STONE GRAY	SPS/NYLON GF20
8 CKT HOUSING KEYING OPTION C	DARK GRAY	SPS/NYLON GF20
8 CKT HOUSING KEYING OPTION B	LIGHT GRAY	SPS/NYLON GF20
8 CKT HOUSING KEYING OPTION A	BLACK	SPS/NYLON GF20
UPDATED 6 CKT PLR	NATURAL	SPS/NYLON GF20
6 CKT PLR	NATURAL	SPS/NYLON GF20
6 CKT HOUSING KEYING OPTION D	STONE GRAY	SPS/NYLON GF20
6 CKT HOUSING KEYING OPTION C	DARK GRAY	SPS/NYLON GF20
6 CKT HOUSING KEYING OPTION B	LIGHT GRAY	SPS/NYLON GF20
6 CKT HOUSING KEYING OPTION A	BLACK	SPS/NYLON GF20

BOM/APPLICABLE COMPONENTS TABLE

ABBREVIATION	COMPONENT
A	HOUSING KEY A
B	HOUSING KEY B
C	HOUSING KEY C
D	HOUSING KEY D
P	PLR (STANDARD)/UPDATED PLR
R	RING SEAL

SEE REV. COLUMN EEC NO. UAU2017-0788 DRAWN BY: B4 CHKD: APPR: K0EKSGL 2017/03/14 2017/03/14	QUALITY SYMBOLS ∇=0 ∇=0 ∇=0	GENERAL TOLERANCES (UNLESS SPECIFIED)		DIMENSION STYLE MM ONLY	SCALE 2:1	DESIGN UNITS METRIC	THIRD ANGLE PROJECTION		
		4 PLACES ± mm ± INCH 3 PLACES ± --- ± --- 2 PLACES ± 0.10 ± --- 1 PLACE ± 0.20 ± ---	ANGULAR ± 3 °	DRAFT WHERE APPLICABLE MUST REMAIN WITHIN DIMENSIONS	MATERIAL NO. SEE TABLE	DATE 2011/11/22	DATE 2011/11/22	DATE 2011/11/22	TITLE MX150 DUAL ROW BULKHEAD TWIST-LOCK CONNECTOR ASSEMBLY
		MOLEX INCORPORATED	DOCUMENT NO. SD-34840-001	SHEET NO. 2 OF 10					
		THIS DRAWING CONTAINS INFORMATION THAT IS PROPRIETARY TO MOLEX INCORPORATED AND SHOULD NOT BE USED WITHOUT WRITTEN PERMISSION							

16 CKT KEY D, STONE GRAY	34840-8440									D	P	R	OK TO TOOL	
16 CKT KEY C, DARK GRAY	34840-8430									C		P	R	OK TO TOOL
16 CKT KEY B, LIGHT GRAY	34840-8420									B		P	R	OK TO TOOL
16 CKT KEY A, BLACK	34840-8410									A		P	R	OK TO TOOL
16 CKT KEY D, STONE GRAY	34840-8040										D	P	R	SALEABLE
16 CKT KEY C, DARK GRAY	34840-8030										C	P	R	SALEABLE
16 CKT KEY B, LIGHT GRAY	34840-8020										B	P	R	SALEABLE
16 CKT KEY A, BLACK	34840-8010										A	P	R	SALEABLE
12 CKT KEY D, STONE GRAY	34840-6440										D	P	R	OK TO TOOL
12 CKT KEY C, DARK GRAY	34840-6430										C	P	R	OK TO TOOL
12 CKT KEY B, LIGHT GRAY	34840-6420										B	P	R	OK TO TOOL
12 CKT KEY A, BLACK	34840-6410	A									A	P	R	OK TO TOOL
12 CKT KEY D, STONE GRAY	34840-6040										D	P	R	SALEABLE
12 CKT KEY C, DARK GRAY	34840-6030										C	P	R	SALEABLE
12 CKT KEY B, LIGHT GRAY	34840-6020										B	P	R	SALEABLE
12 CKT KEY A, BLACK	34840-6010	A									A	P	R	SALEABLE
ASSEMBLY DESCRIPTION	ASSEMBLY PART NUMBER													PRODUCTION TOOL STATUS

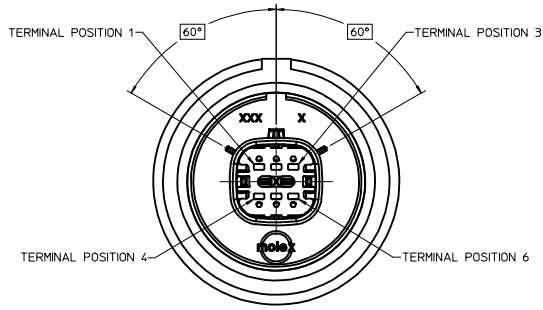
DESCRIPTION	COLOR	MATERIAL
12/16 CKT RING SEAL	RUST RED	INHERENTLY LUBRICATED SILICONE
UPDATED 16 CKT PLR	NATURAL	SPS/NYLON GF20
16 CKT PLR	NATURAL	SPS/NYLON GF20
16 CKT HOUSING KEYING OPTION D	STONE GRAY	SPS/NYLON GF20
16 CKT HOUSING KEYING OPTION C	DARK GRAY	SPS/NYLON GF20
16 CKT HOUSING KEYING OPTION B	LIGHT GRAY	SPS/NYLON GF20
16 CKT HOUSING KEYING OPTION A	BLACK	SPS/NYLON GF20
UPDATED 12 CKT PLR	NATURAL	SPS/NYLON GF20
12 CKT PLR	NATURAL	SPS/NYLON GF20
12 CKT HOUSING KEYING OPTION D	STONE GRAY	SPS/NYLON GF20
12 CKT HOUSING KEYING OPTION C	DARK GRAY	SPS/NYLON GF20
12 CKT HOUSING KEYING OPTION B	LIGHT GRAY	SPS/NYLON GF20
12 CKT HOUSING KEYING OPTION A	BLACK	SPS/NYLON GF20

ABREVIATION	COMPONENT
A	HOUSING KEY A
B	HOUSING KEY B
C	HOUSING KEY C
D	HOUSING KEY D
P	PLR (STANDARD)/UPDATED PLR
R	RING SEAL

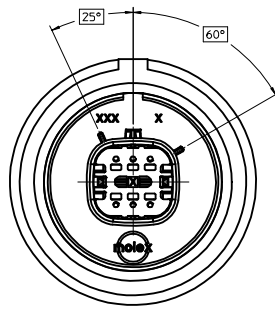
ENTER DESCRIPTION ELEC NO. UAU2017-0788 DRAWN/CWA CHKD: APPR:KOEKSKI 2017/03/14 2017/03/14 2017/03/14 B4 REV	QUALITY SYMBOLS ∇=0 ∇=0 ∇=0	GENERAL TOLERANCES (UNLESS SPECIFIED) mm INCH 4 PLACES ± --- ± --- 3 PLACES ± --- ± --- 2 PLACES ± 0.10 ± --- 1 PLACE ± 0.20 ± --- 0 PLACE ± ±	DIMENSION STYLE MM ONLY SCALE 2:1 DESIGN UNITS METRIC THIRD ANGLE PROJECTION	DRAWN BY MDICK DATE 2011/11/22 CHECKED BY MYANSLAMBROU DATE 2011/11/22 APPROVED BY DATE	TITLE MX150 DUAL ROW BULKHEAD TWIST-LOCK CONNECTOR ASSEMBLY molex	MATERIAL NO. 999999999 DOCUMENT NO. SD-34840-001	SHEET NO. 3 OF 10
	ANGULAR ± 3 ° DRAFT WHERE APPLICABLE MUST REMAIN WITHIN DIMENSIONS						
	THIS DRAWING CONTAINS INFORMATION THAT IS PROPRIETARY TO MOLEX INCORPORATED AND SHOULD NOT BE USED WITHOUT WRITTEN PERMISSION						
	SIZE D						

6 CIRCUIT CONFIGURATIONS

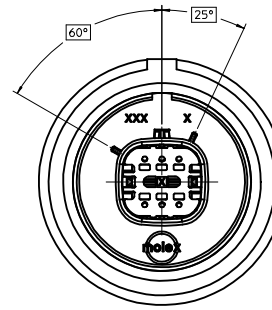
6/8 CKT KEY OPTION CONFIGURATIONS



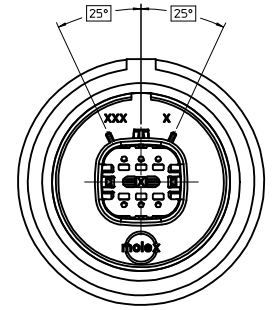
KEY OPTION A



KEY OPTION B

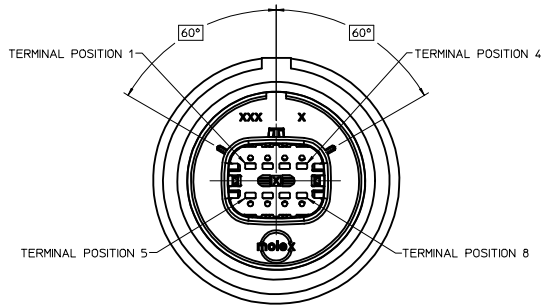


KEY OPTION C

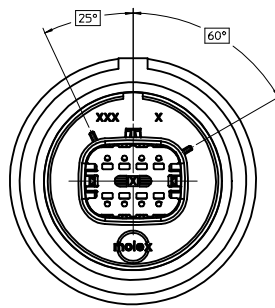


KEY OPTION D

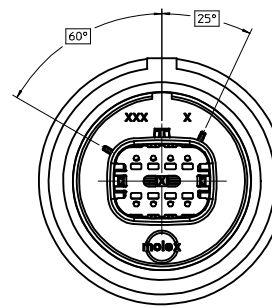
8 CIRCUIT CONFIGURATIONS



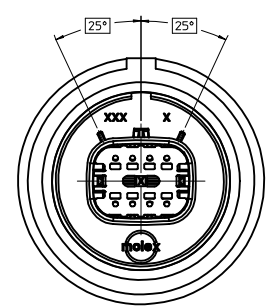
KEY OPTION A



KEY OPTION B



KEY OPTION C

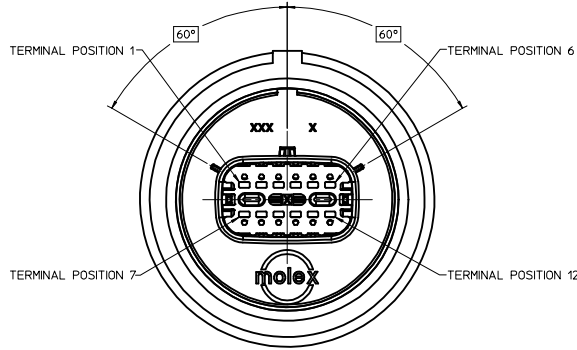


KEY OPTION D

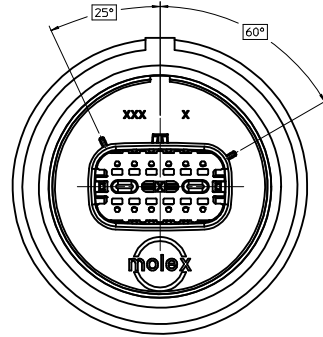
SEE REV. COLUMN DEC NO: 04/2017-0788 DRAWN: CWA CHKD: APPR: KOE/GSKL	QUALITY SYMBOLS ▽=0 ▽=0 ▽=0	GENERAL TOLERANCES (UNLESS SPECIFIED)		DIMENSION STYLE MM ONLY	SCALE 2:1	DESIGN UNITS METRIC	THIRD ANGLE PROJECTION							
		4 PLACES ± --- ± ---	3 PLACES ± --- ± ---	2 PLACES ± 0.10 ± ---	1 PLACE ± 0.20 ± ---	ANGLULAR ± 3°	DRAFT WHERE APPLICABLE MUST REMAIN WITHIN DIMENSIONS	DRAWN BY MDICK	DATE 2011/11/22	CHECKED BY MYANSLAMBROU	DATE 2011/11/22	MATERIAL NO. SEE TABLE	DOCUMENT NO. SD-34840-001	SHEET NO. 4 OF 10
		MOLEX INCORPORATED		MOLEX INCORPORATED			MOLEX INCORPORATED							
		THIS DRAWING CONTAINS INFORMATION THAT IS PROPRIETARY TO MOLEX INCORPORATED AND SHOULD NOT BE USED WITHOUT WRITTEN PERMISSION		MOLEX INCORPORATED			MOLEX INCORPORATED							

12 CIRCUIT CONFIGURATIONS

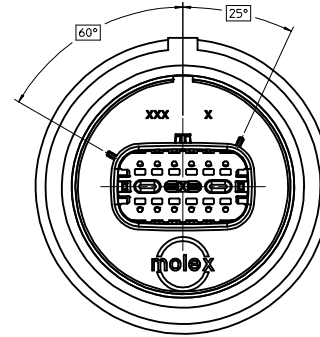
12/16 CKT KEY OPTION CONFIGURATIONS



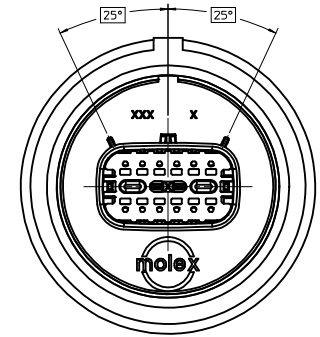
KEY OPTION A



KEY OPTION B

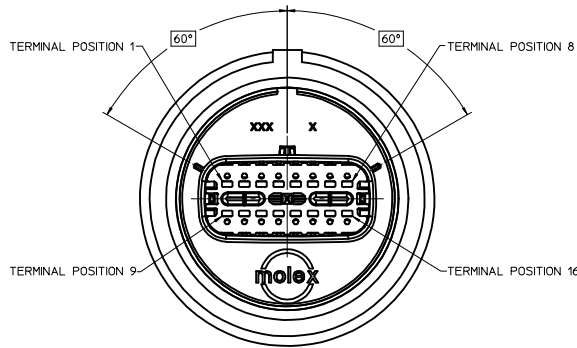


KEY OPTION C

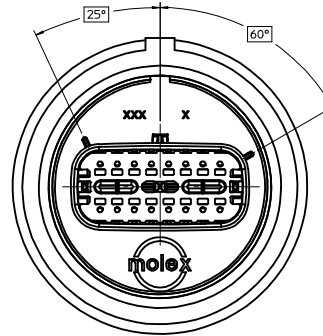


KEY OPTION D

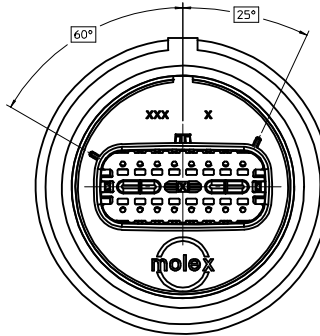
16 CIRCUIT CONFIGURATIONS



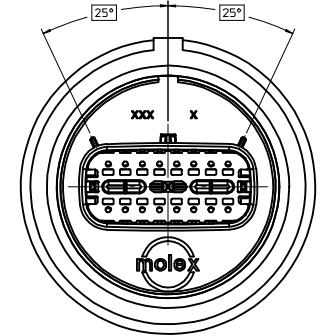
KEY OPTION A



KEY OPTION B



KEY OPTION C

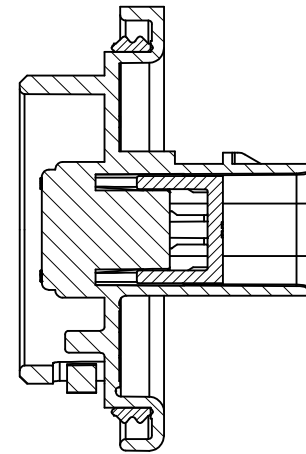
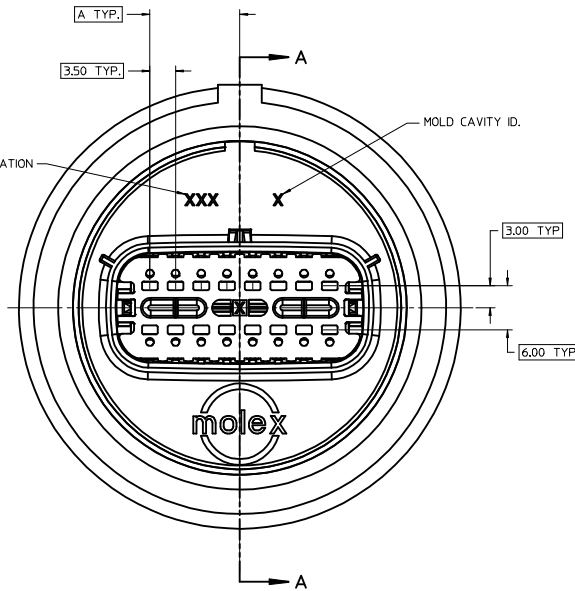
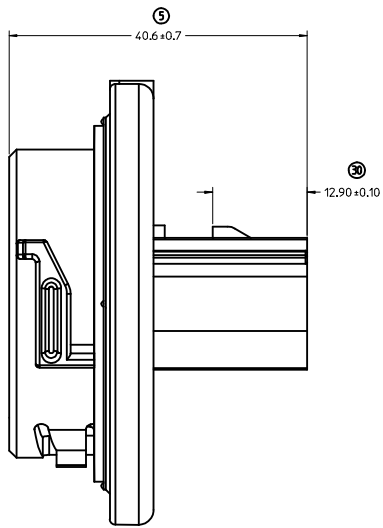


KEY OPTION D

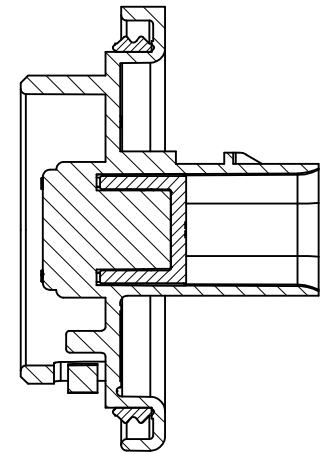
SEE REV. COLUMN DEC NO. 01/2017-0788 DRAWN: CWA CHKD: APPR: K0EKS/KL 2017/03/07 2017/03/14	QUALITY SYMBOLS	GENERAL TOLERANCES (UNLESS SPECIFIED)		DIMENSION STYLE	SCALE	DESIGN UNITS	THIRD ANGLE PROJECTION
	▽=0	mm	INCH	MM ONLY	2:1	METRIC	
	▽=0	4 PLACES ± ---	± ---	DRAWN BY	DATE	TITLE	
	▽=0	3 PLACES ± ---	± ---	MDICK	2011/11/22	MX150 DUAL ROW BULKHEAD TWIST-LOCK CONNECTOR ASSEMBLY	
	2 PLACES ± 0.10	± ---	CHECKED BY	DATE	MOLEX INCORPORATED		
	1 PLACE ± 0.20	± ---	MYANSLAMBROU	2011/11/22	MOLEX INCORPORATED		
	ANGULAR ± 3°	DRAFT WHERE APPLICABLE MUST REMAIN WITHIN DIMENSIONS		APPROVED BY	DATE	MATERIAL NO.	DOCUMENT NO.
						SEE TABLE	SD-34840-001
				SIZE	THIS DRAWING CONTAINS INFORMATION THAT IS PROPRIETARY TO MOLEX INCORPORATED AND SHOULD NOT BE USED WITHOUT WRITTEN PERMISSION		
				D	SHEET NO. 5 OF 10		

CIRCUIT SIZE	DIMENSIONS	
	A	B
6	3.50	50.3
8	5.25	50.3
12	8.75	60.2
16	12.25	60.2

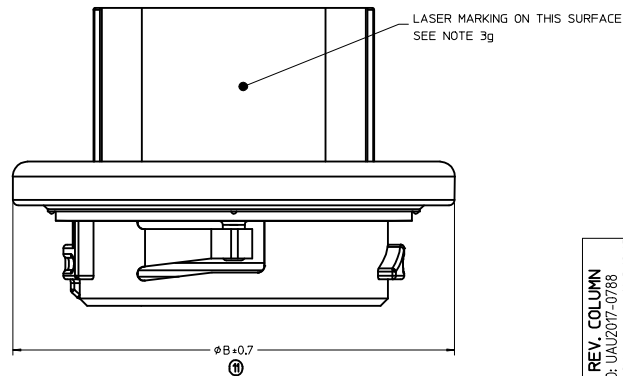
BULKHEAD CONNECTOR



SECTION A-A
PLR SHOWN IN PRE-LOCK POSITION



SECTION A-A
PLR SHOWN IN FINAL-LOCK POSITION

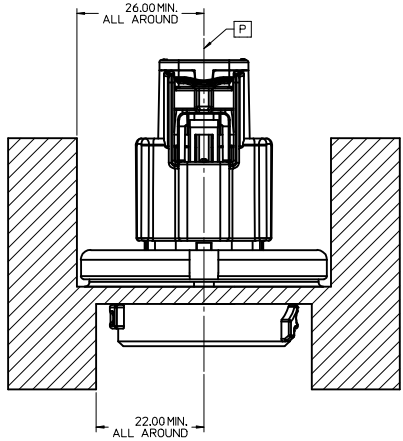


SEE REV. COLUMN DEC NO: JAU2017-0788 DRAWN: CWA CHKD: APPR: KOEKSKI 2017/03/07 2017/03/14	QUALITY SYMBOLS	GENERAL TOLERANCES (UNLESS SPECIFIED)	DIMENSION STYLE	SCALE	DESIGN UNITS	THIRD ANGLE PROJECTION	
	▽=0	mm INCH	MM ONLY	3:1	METRIC	☉	
	▽=0	4 PLACES ± --- ± ---	DRAWN BY DATE	DATE	TITLE	MX150 DUAL ROW BULKHEAD TWIST-LOCK CONNECTOR ASSEMBLY	
	▽=0	3 PLACES ± --- ± ---	CHECKED BY DATE	DATE	MATERIAL NO.	DOCUMENT NO.	SHEET NO.
	▽=0	2 PLACES ± 0.10 ± ---	APPROVED BY DATE	DATE	SEE TABLE	SD-34840-001	6 OF 10

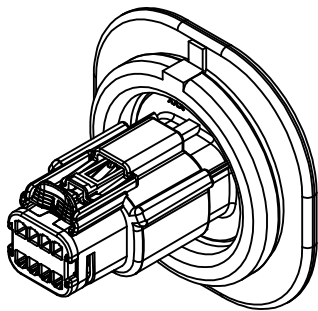
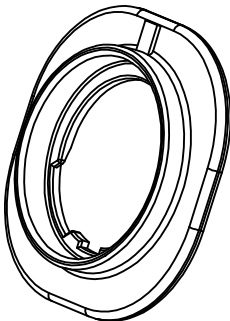
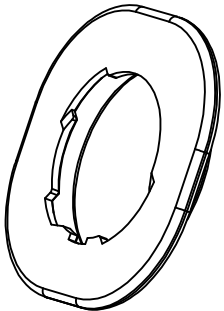
THIS DRAWING CONTAINS INFORMATION THAT IS PROPRIETARY TO MOLEX INCORPORATED AND SHOULD NOT BE USED WITHOUT WRITTEN PERMISSION

6/8 CKT BULKHEAD CONNECTOR INTERFACE SHEET 1/2

IF BULKHEAD INTERFACE IS RECESSED INTO A POCKET, THESE DIMENSIONS REPRESENT THE MINIMUM CLEARANCE REQUIRED FOR THE MATING HARNESS AND BULKHEAD CONNECTOR SHROUDS.



PACKAGING FRAME

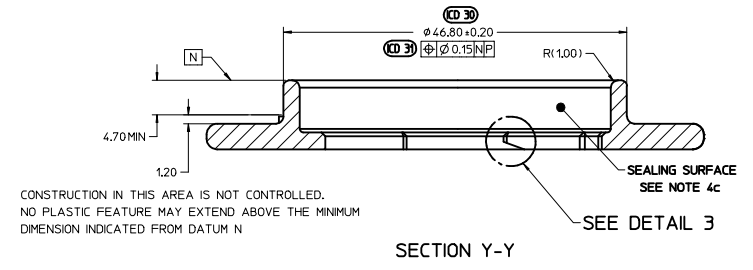
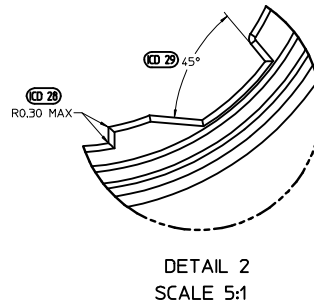
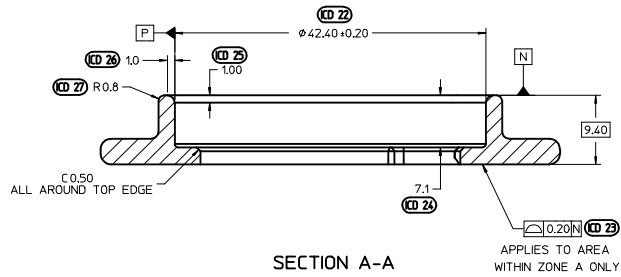
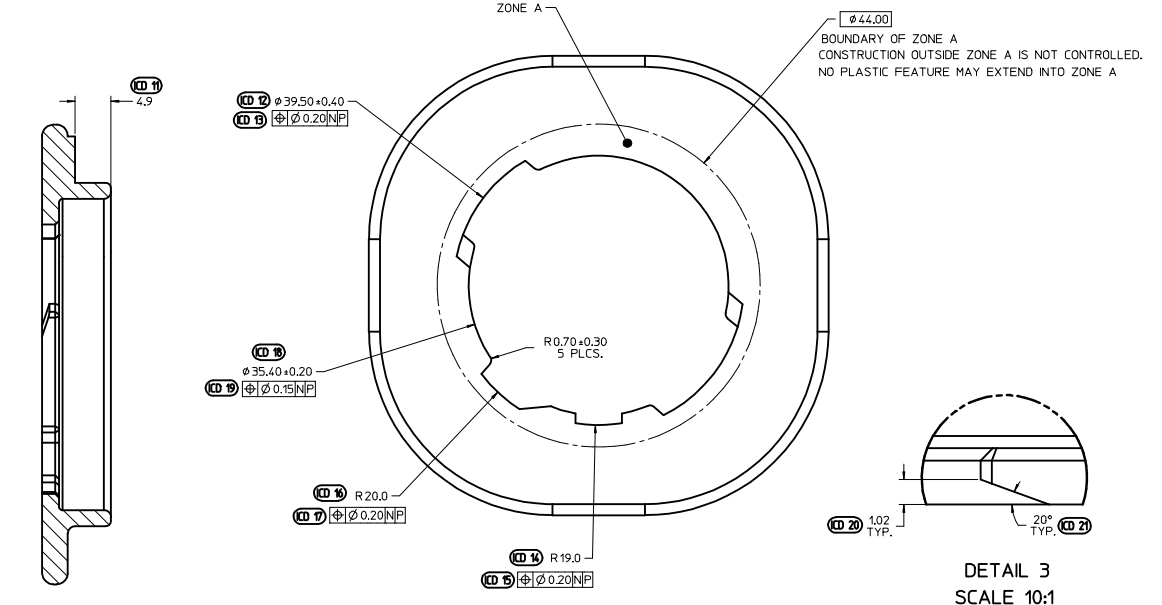
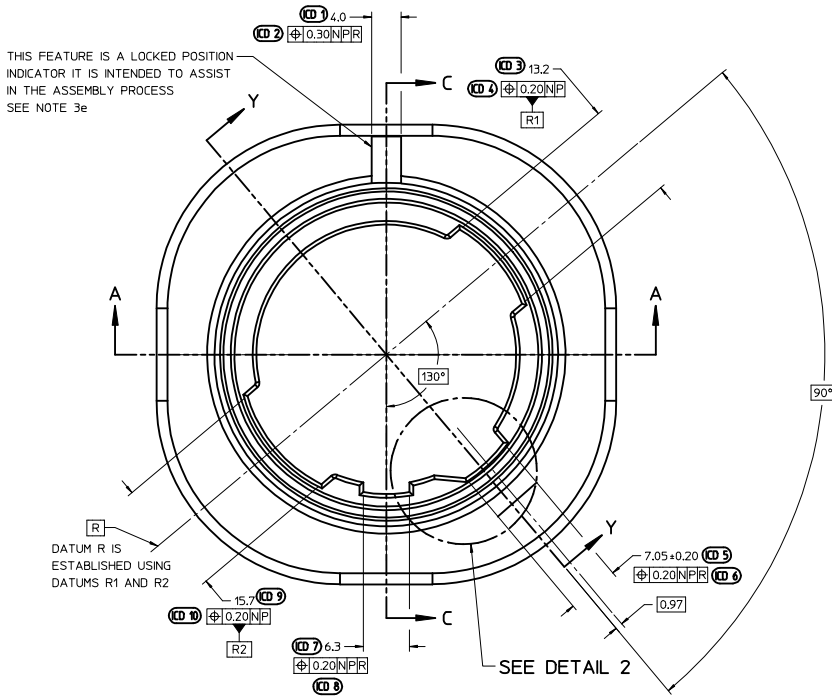


BULKHEAD INTERFACE NOTES: VALID UNLESS OTHERWISE SPECIFIED

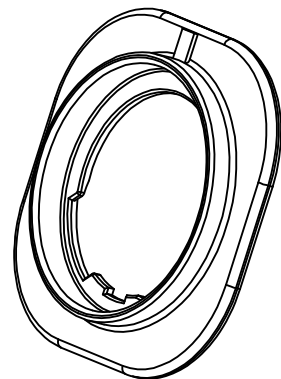
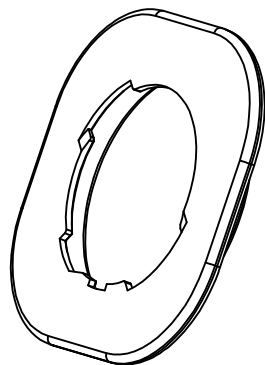
- 1. GENERAL:
 - a. DESIGNED TO MATE WITH MOLEX CONNECTOR SERIES # 34840
 - b. ALL DIMENSIONS SHOWN IN MILLIMETERS
- 2. MATERIALS:
 - a. MATERIAL: BLACK TALC FILLED POLYPROPYLENE PER GMP.PP.030 OR EQUIVALENT
- 3. GEOMETRY:
 - a. THIS IS A 100% CAD GENERATED PART. THE CAD MATHEMATICAL DATA IS THE MASTER FOR THIS PART. FOR DIMENSIONAL OR ANY INFORMATION NOT SHOWN ON THIS DRAWING, ANALYZE THE CAD MODEL.
 - b. GEOMETRIC DIMENSIONS AND TOLERANCES PER ASME Y14.5M - 2009
 - c. GENERAL TOLERANCES: SEE TITLE BLOCK
 - d. EDGES AND UNDIMENSIONED DETAILS PER ISO13715
 - e. LOCKED POSITION INDICATOR IS INTENDED TO BE A VISUAL AID TO ENSURE THE BULKHEAD CONNECTOR IS IN THE LOCKED POSITION. THE BULKHEAD CONNECTOR HAS A CORRESPONDING FEATURE THAT WILL ALIGN WITH THE BULKHEAD INTERFACE WHEN FULLY LOCKED.
- 4. MANUFACTURING:
 - a. DRAFT TO BE WITHIN TOLERANCE.
 - PLUS DRAFT - INDICATES DIMENSION REPRESENTS THE SMALLEST SIZE OF A FEATURE. DRAFT WILL ADD MATERIAL.
 - MINUS DRAFT - INDICATES DIMENSION REPRESENTS THE LARGEST SIZE OF A FEATURE. DRAFT WILL REMOVE MATERIAL.
 - b. ALLOWABLE FLASH MAX 0.20 HIGH BY MAX 0.13 THICK.
 - c. NO PARTING LINES, MISMATCHES OR EJECTOR MARKS PERMISSIBLE WITHIN SEALING SURFACE. SEALING SURFACE TOOLING TO BE PROCESSED TO A SURFACE FINISH OF NTMA #70 (400 PAPER) MINIMUM
 - d. NO EXTERNAL MOLD RELEASE AGENT ALLOWED DURING MANUFACTURING.

SEE REV. COLUMN DEC NO: UAU2017-0788 DRAWN: CMA B4 CHYD: APPR: KOEKSKI 2017/03/14	QUALITY SYMBOLS	GENERAL TOLERANCES (UNLESS SPECIFIED)	DIMENSION STYLE	SCALE	DESIGN UNITS	THIRD ANGLE PROJECTION
	∇=0 ∇=0 ∇=0	4 PLACES ± 0.10 3 PLACES ± 0.15 2 PLACES ± 0.20 1 PLACE ± 0.30 ANGULAR ± 3°	MM ONLY INCH	2:1	METRIC	
	DRAWN BY: MDICK CHECKED BY: MVANSLAMBROU APPROVED BY:	DATE: 2011/11/22 DATE: 2011/11/22 DATE:	MATERIAL NO: N/A DOCUMENT NO: SD-34840-001	TITLE: MX150 DUAL ROW BULKHEAD TWIST-LOCK CONNECTOR ASSEMBLY	MOLEX INCORPORATED	SHEET NO: 7 OF 10
	THIS DRAWING CONTAINS INFORMATION THAT IS PROPRIETARY TO MOLEX INCORPORATED AND SHOULD NOT BE USED WITHOUT WRITTEN PERMISSION					

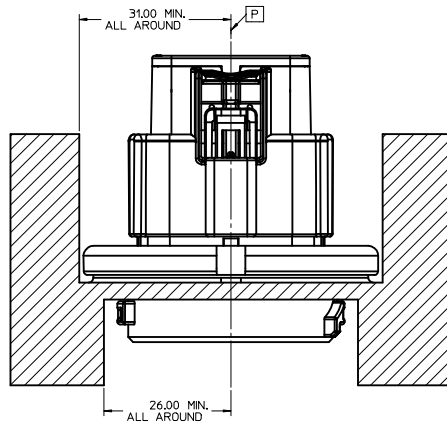
6/8 CKT BULKHEAD CONNECTOR INTERFACE SHEET 2/2



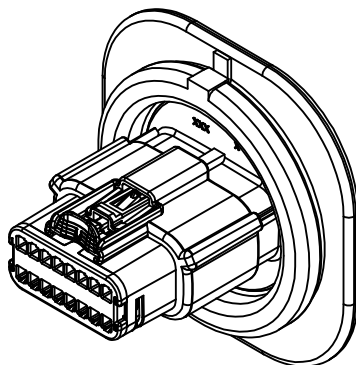
SEE REV. COLUMN EC NO: UAU2017-0788 DRAWN: CWA CHKD: APPR: KOEKSKI REV: B4 DESCRIPTION: 2017/03/14	QUALITY SYMBOLS	GENERAL TOLERANCES (UNLESS SPECIFIED)	DIMENSION STYLE	SCALE	DESIGN UNITS	THIRD ANGLE PROJECTION
	∇=0 ∇=0 ∇=0	mm INCH 4 PLACES ± --- ± --- 3 PLACES ± --- ± --- 2 PLACES ± 0.10 ± --- 1 PLACE ± 0.20 ± --- ANGULAR ± 3°	MM ONLY	3:1	METRIC	MDC MYANSLAMBROU MOLEX INCORPORATED
	DRAFT WHERE APPLICABLE MUST REMAIN WITHIN DIMENSIONS	MATERIAL NO. N/A	DATE	DATE	DATE	MOLEX INCORPORATED SD-34840-001
						SHEET NO. 8 OF 10 THIS DRAWING CONTAINS INFORMATION THAT IS PROPRIETARY TO MOLEX INCORPORATED AND SHOULD NOT BE USED WITHOUT WRITTEN PERMISSION



IF BULKHEAD INTERFACE IS RECESSED INTO A POCKET, THESE DIMENSIONS REPRESENT THE MINIMUM CLEARANCE REQUIRED FOR THE MATING HARNESS AND BULKHEAD CONNECTOR SHROUDS.



PACKAGING FRAME



12/16 CKT BULKHEAD CONNECTOR INTERFACE SHEET 1/2

BULKHEAD INTERFACE NOTES: VALID UNLESS OTHERWISE SPECIFIED

1. GENERAL:

- a. DESIGNED TO MATE WITH MOLEX CONNECTOR SERIES # 34840
- b. ALL DIMENSIONS SHOWN IN MILLIMETERS

2. MATERIALS:

- a. MATERIAL: BLACK TALC FILLED POLYPROPYLENE PER GMP.PP.030 OR EQUIVALENT

3. GEOMETRY:

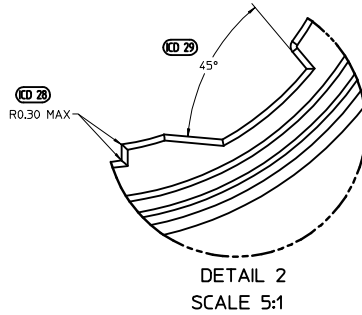
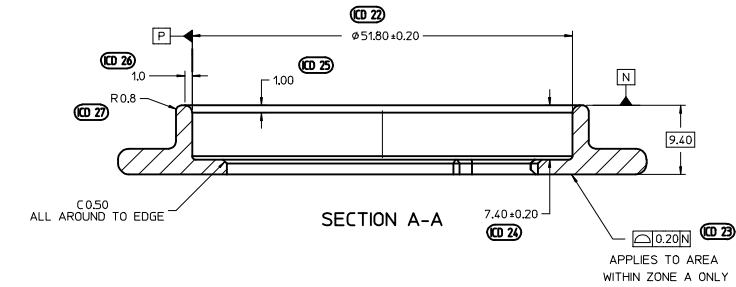
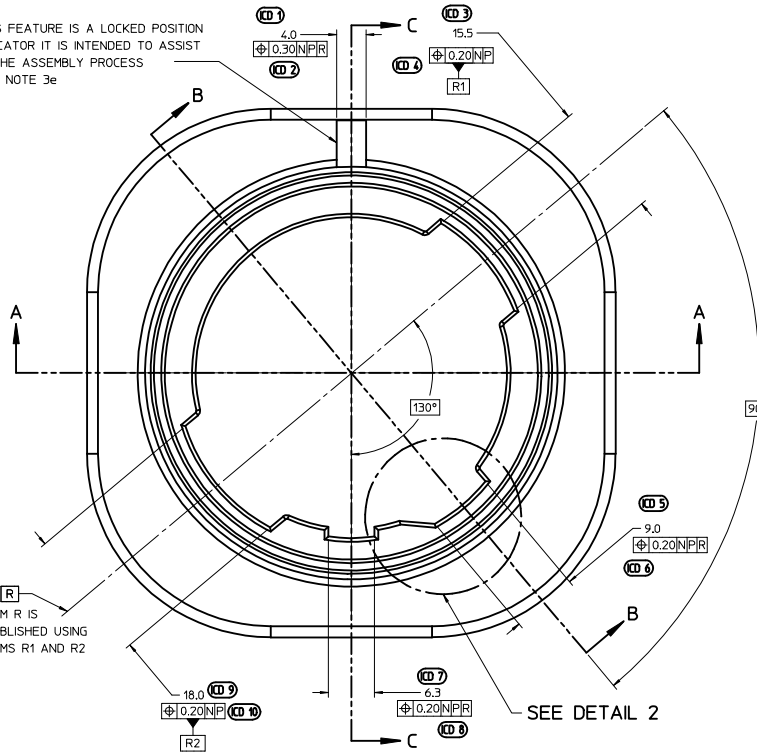
- a. THIS IS A 100% CAD GENERATED PART. THE CAD MATHEMATICAL DATA IS THE MASTER FOR THIS PART. FOR DIMENSIONAL OR ANY INFORMATION NOT SHOWN ON THIS DRAWING, ANALYZE THE CAD MODEL.
- b. GEOMETRIC DIMENSIONS AND TOLERANCES PER ASME Y14.5M - 2009
- c. GENERAL TOLERANCES: SEE TITLE BLOCK
- d. EDGES AND UNDIMENSIONED DETAILS PER ISO13715
- e. LOCKED POSITION INDICATOR IS INTENDED TO BE A VISUAL AID TO ENSURE THE BULKHEAD CONNECTOR IS IN THE LOCKED POSITION. THE BULKHEAD CONNECTOR HAS A CORRESPONDING FEATURE THAT WILL ALIGN WITH THE BULKHEAD INTERFACE WHEN FULLY LOCKED

4. MANUFACTURING:

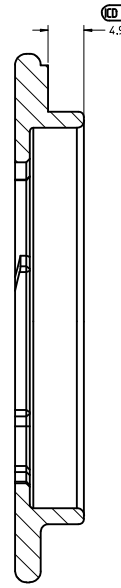
- a. DRAFT TO BE WITHIN TOLERANCE.
 PLUS DRAFT - INDICATES DIMENSION REPRESENTS THE SMALLEST SIZE OF A FEATURE. DRAFT WILL ADD MATERIAL.
 MINUS DRAFT - INDICATES DIMENSION REPRESENTS THE LARGEST SIZE OF A FEATURE. DRAFT WILL REMOVE MATERIAL.
- b. ALLOWABLE FLASH MAX 0.20 HIGH BY MAX 0.13 THICK.
- c. NO PARTING LINES, MISMATCHES OR EJECTOR MARKS PERMISSIBLE WITHIN SEALING SURFACE. SEALING SURFACE TOOLING TO BE PROCESSED TO A SURFACE FINISH OF N70 (400 PAPER) MINIMUM
- d. NO EXTERNAL MOLD RELEASE AGENT ALLOWED DURING MANUFACTURING.

SEE REV. COLUMN DEC NO: 1/10/2017-0788 DRAWN BY: MWA B4 CHYD: APPR: KEGSKL 2017/03/14	QUALITY SYMBOLS	GENERAL TOLERANCES (UNLESS SPECIFIED)	DIMENSION STYLE	SCALE	DESIGN UNITS	THIRD ANGLE PROJECTION
	∇=0 ∇=0 ∇=0	mm INCH 4 PLACES ± --- ± --- 3 PLACES ± --- ± --- 2 PLACES ± 0.10 ± --- 1 PLACE ± 0.20 ± --- ANGULAR ± 3 °	MM ONLY	2:1	METRIC	
	DRAWN BY: MDICK DATE: 2011/11/22 CHECKED BY: MVANSLAMBROU DATE: 2011/11/22 APPROVED BY:	TITLE: MX150 DUAL ROW BULKHEAD TWIST-LOCK CONNECTOR ASSEMBLY		MOLEX INCORPORATED		
	MATERIAL NO: N/A DOCUMENT NO: SD-34840-001	DRAFT WHERE APPLICABLE MUST REMAIN WITHIN DIMENSIONS		SHEET NO: 9 OF 10 SIZE: D THIS DRAWING CONTAINS INFORMATION THAT IS PROPRIETARY TO MOLEX INCORPORATED AND SHOULD NOT BE USED WITHOUT WRITTEN PERMISSION		

THIS FEATURE IS A LOCKED POSITION INDICATOR IT IS INTENDED TO ASSIST IN THE ASSEMBLY PROCESS SEE NOTE 3e



SECTION C-C

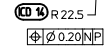
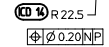


ZONE A

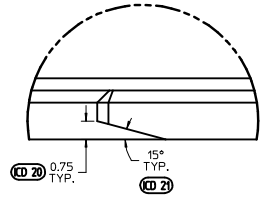


R0.70 +/- 0.30

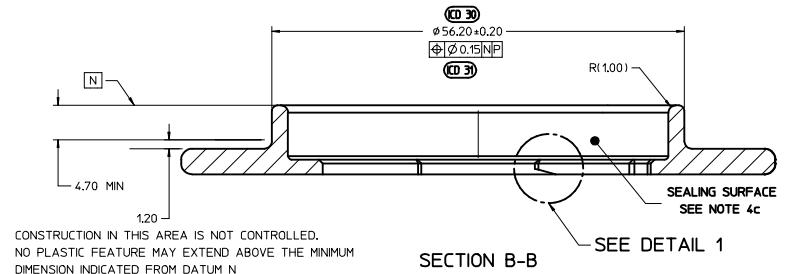
5 PLCS.



$\phi 52.00$
BOUNDARY OF ZONE A
CONSTRUCTION OUTSIDE ZONE A IS NOT CONTROLLED.
NO PLASTIC FEATURE MAY EXTEND INTO ZONE A



DETAIL 1
SCALE 10:1



CONSTRUCTION IN THIS AREA IS NOT CONTROLLED.
NO PLASTIC FEATURE MAY EXTEND ABOVE THE MINIMUM DIMENSION INDICATED FROM DATUM N

SECTION B-B

SEE DETAIL 1

REV		DESCRIPTION	QUALITY SYMBOLS		GENERAL TOLERANCES (UNLESS SPECIFIED)		DIMENSION STYLE		SCALE	DESIGN UNITS	THIRD ANGLE PROJECTION
SEE REV. COLUMN			$\nabla=0$		mm	INCH	MM ONLY	3:1	METRIC		
EC NO. UAU2017-0788			$\nabla=0$		4 PLACES ± --- ± ---		DRAWN BY	DATE	TITLE		
BRWNC/WA	2017/03/14		$\nabla=0$		3 PLACES ± --- ± ---		MDICK	2011/11/22	MX150 DUAL ROW BULKHEAD TWIST-LOCK CONNECTOR ASSEMBLY		
CHKD:	2017/03/14		$\nabla=0$		2 PLACES ± 0.10 ± ---		CHECKED BY	DATE			
APPR:KOEKSKL	2017/03/14		$\nabla=0$		1 PLACE ± 0.20 ± ---		MYANSLAMBROU	2011/11/22			
					ANGULAR ± 3°		APPROVED BY	DATE			
					DRAFT WHERE APPLICABLE MUST REMAIN WITHIN DIMENSIONS		MATERIAL NO.	N/A	DOCUMENT NO.		
									MOLEX INCORPORATED		
									SD-34840-001	SHEET NO. 10 OF 10	