



Chipsmall Limited consists of a professional team with an average of over 10 year of expertise in the distribution of electronic components. Based in Hongkong, we have already established firm and mutual-benefit business relationships with customers from,Europe,America and south Asia,supplying obsolete and hard-to-find components to meet their specific needs.

With the principle of “Quality Parts,Customers Priority,Honest Operation,and Considerate Service”,our business mainly focus on the distribution of electronic components. Line cards we deal with include Microchip,ALPS,ROHM,Xilinx,Pulse,ON,Everlight and Freescale. Main products comprise IC,Modules,Potentiometer,IC Socket,Relay,Connector.Our parts cover such applications as commercial,industrial, and automotives areas.

We are looking forward to setting up business relationship with you and hope to provide you with the best service and solution. Let us make a better world for our industry!



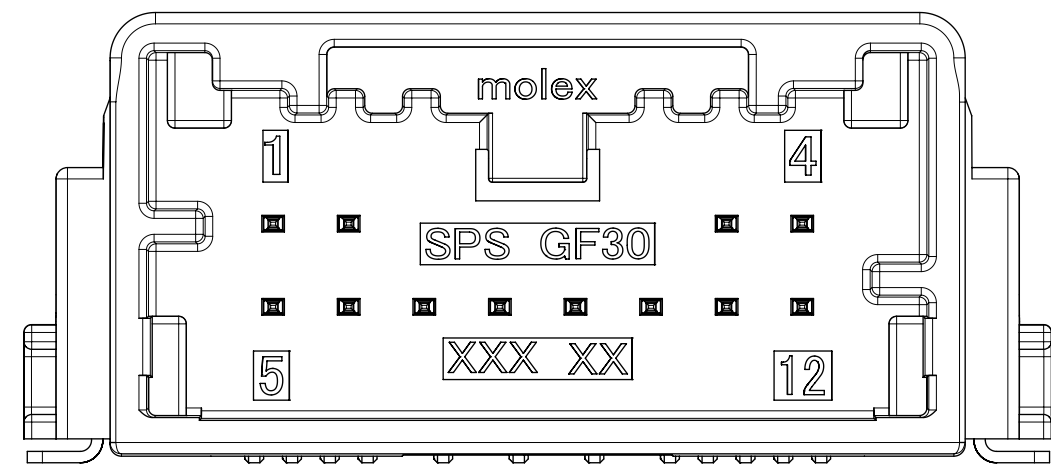
Contact us

Tel: +86-755-8981 8866 Fax: +86-755-8427 6832

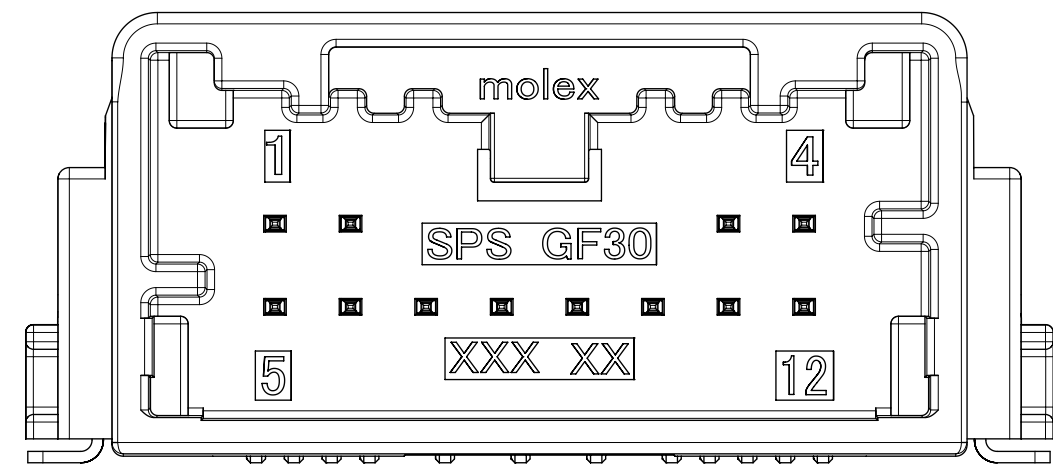
Email & Skype: info@chipsmall.com Web: www.chipsmall.com

Address: A1208, Overseas Decoration Building, #122 Zhenhua RD., Futian, Shenzhen, China

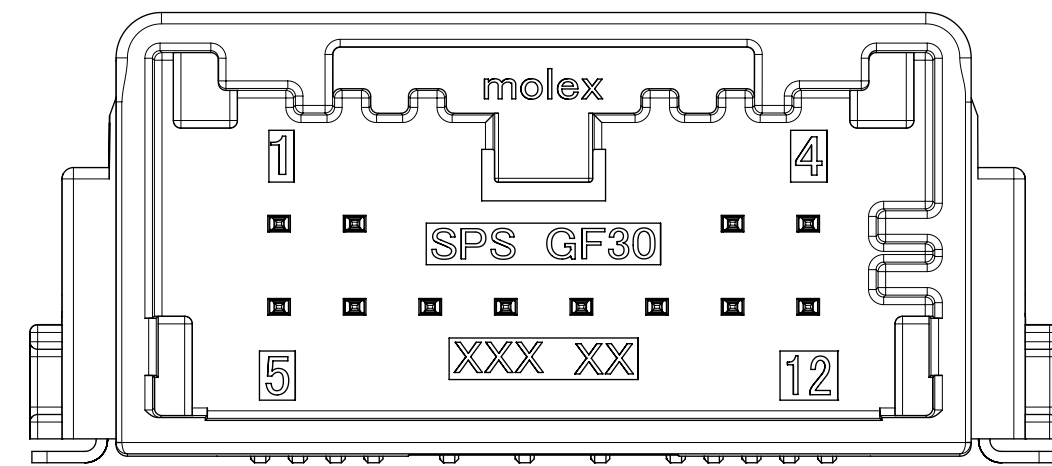




12 CIRCUIT SMT USCAR HEADER
POLARIZATION OPTION A

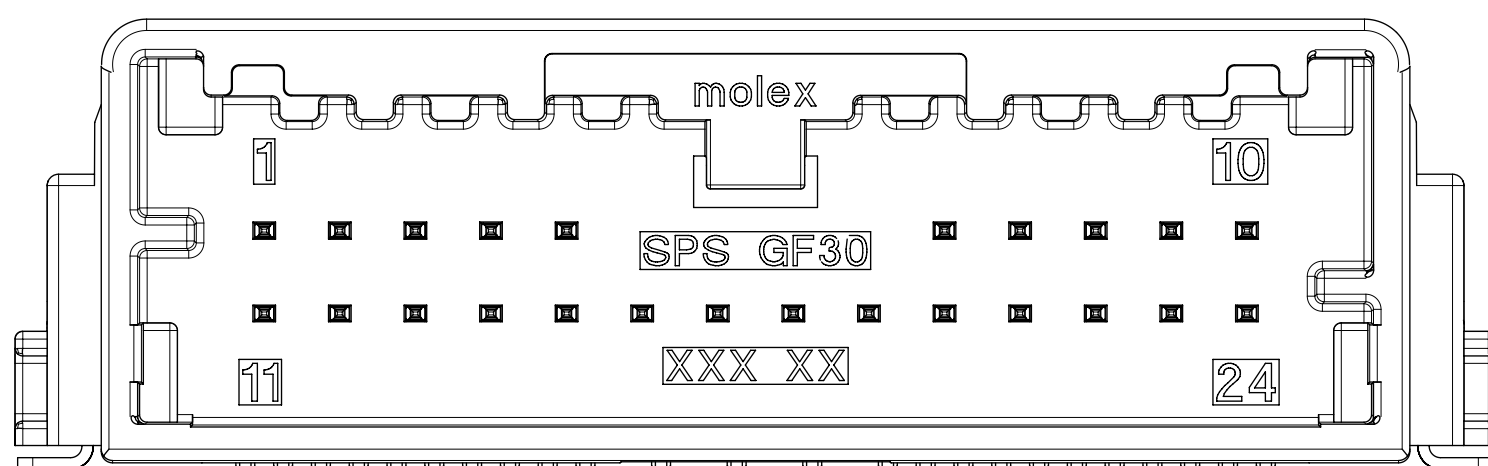


12 CIRCUIT SMT USCAR HEADER
POLARIZATION OPTION B

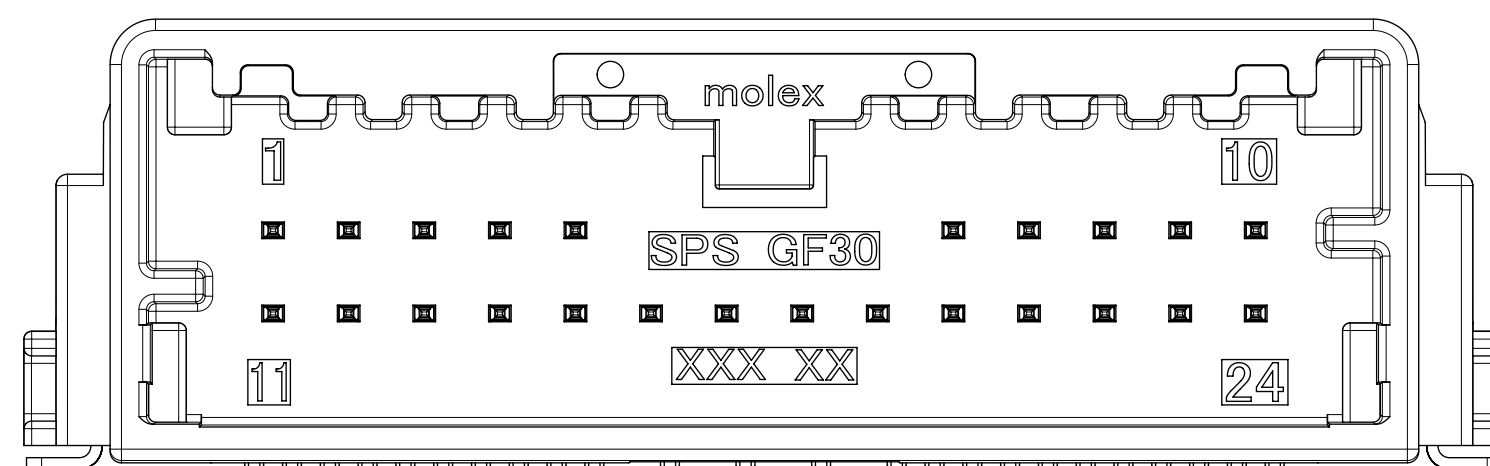


12 CIRCUIT SMT USCAR HEADER
POLARIZATION OPTION C

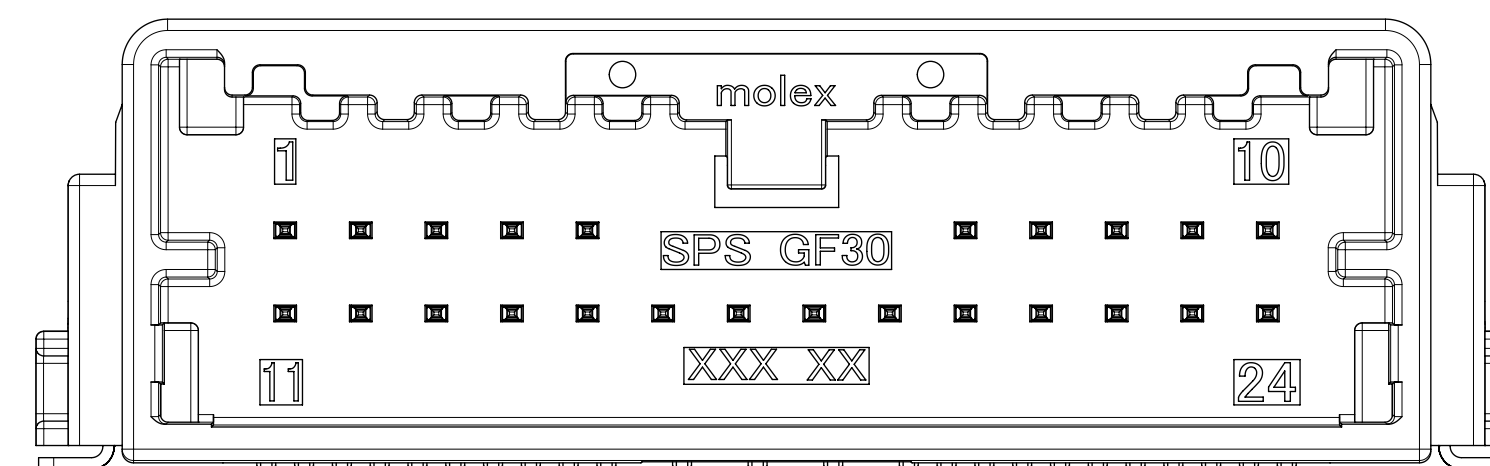
24CKT POLARIZATION OPTIONS SHOWN BELOW
ARE REPRESENTATIVE FOR 16 AND 20CKT



24 CIRCUIT SMT HEADER
POLARIZATION OPTION A



24 CIRCUIT SMT HEADER
POLARIZATION OPTION B



24 CIRCUIT SMT HEADER
POLARIZATION OPTION C

NOTES: VALID UNLESS OTHERWISE SPECIFIED

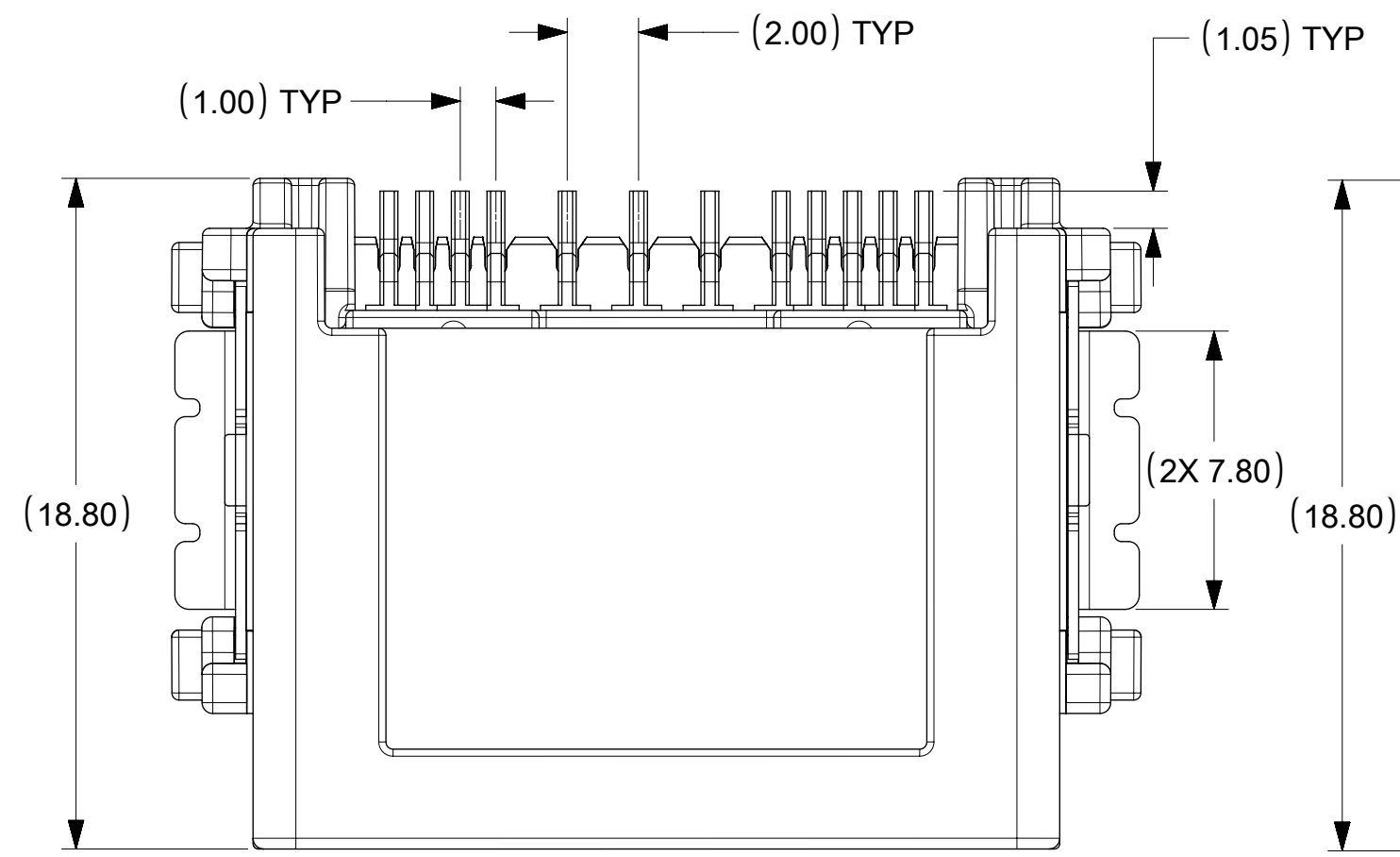
1. GENERAL:
 - a. APPLICATION SPECIFICATION SEE: AS-34791-020
 - b. PRODUCT SPECIFICATION SEE: PS-34791-020
 - c. PACKAGING SPECIFICATION PER MOLEX DRAWING: SEE CHART
 - d. SOLDERABILITY PER SMES-152
 - e. PARTS MUST BE IN COMPLIANCE TO MOLEX CHEMICAL SUBSTANCES FOR PRODUCTS AND PACKAGING SPECIFICATION: QEHS-699000-300
 - f. DATA MUST BE SUBMITTED UNDER THE MOLEX PART NUMBER TO IMDS (COMPANY ID#13255)
 - g. FLAMMABILITY REQUIREMENT: PER ISO3795 OR GM3191
 - h. VISUAL DEFECTS SHALL MEET COSMETIC STANDARD PS-45499-002 (Class B)
 2. DESIGN - MATERIALS:
 - a. SHROUD (PLASTIC HOUSING): SPS 30% GF, 25% REGRIND MAX PER WEIGHT
 - b. BLADES:
 - BASE METAL: C260 BRASS
 - PLATING REQUIREMENTS:
 - TIN:
 - UNDERPLATING:
 - OVERALL NICKEL: 1.25 - 2.25 MICROMETERS
 - OVERPLATING:
 - OVERALL TIN: 2.5 - 4.0 MICROMETERS
 - GOLD:
 - UNDERPLATING:
 - OVERALL NICKEL: 1.25 - 2.25 MICROMETERS
 - OVERPLATING:
 - CONTACT AREA: ELECTRODEPOSITED GOLD
 - MINIMUM 0.76 MICROMETERS HARD GOLD
 - PCB CONTACT AREA: ELECTRODEPOSITED TIN MATTE FINISH
 - MINIMUM 2.5 - 4.0 MICROMETERS
3. DESIGN - GEOMETRY:
 - a. THIS IS A 100% CAD GENERATED PART. THE CAD MATHEMATICAL DATA IS THE MASTER FOR THIS PART. FOR DIMENSIONAL OR ANY INFORMATION NOT SHOWN ON THIS DRAWING, ANALYZE THE CAD MODEL.
 - b. GEOMETRIC DIMENSIONS AND TOLERANCES PER ASME Y14.5M - 2009
 - c. GENERAL TOLERANCES: SEE TITLE BLOCK
 - d. EDGES AND UNDIMENSIONED DETAILS PER ISO13715
 - e. CORNERS SHOWN AS SHARP TO BE R 0.1 MAX
 - f. LETTERING SHALL BE BELOW SURROUNDING SURFACE OF PART. THIS INCLUDES RECYCLING CODE, PLANT AND CAVITY ID, VENDOR ID, AND CIRCUIT ID.

INSPECTION BALLON NUMBER LOG	
PER DRAWING REVISION: W5	
LAST BALLOON USED: 16	
ADDED BALLOON NUMBERS:	
REMOVED BALLOON NUMBERS:	

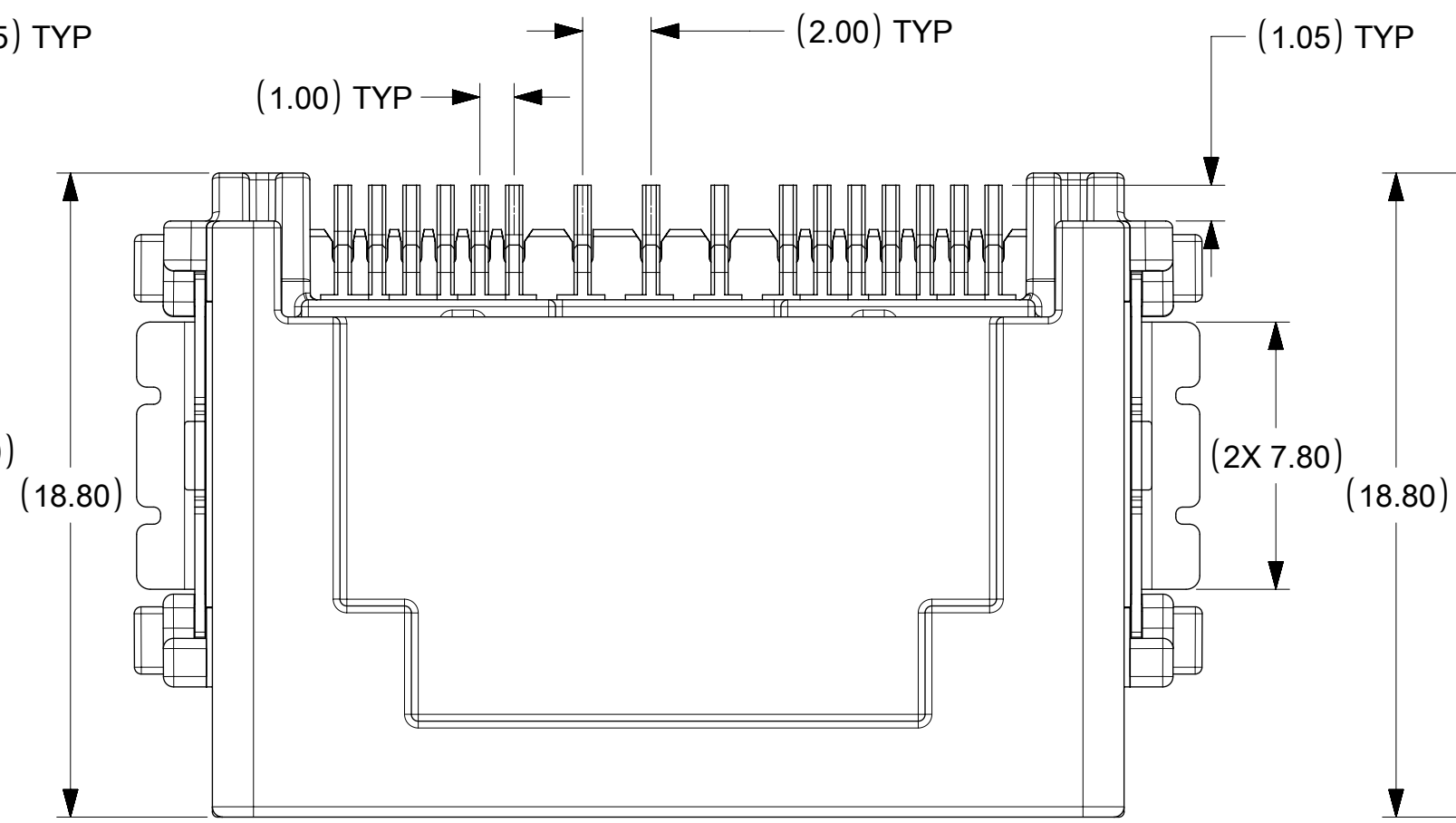
W5	ADDED DIM BALLOON 15 & 16
W4	ADDED 16CKT GOLD DEPOPULATED POL A P/N
W3	NX REMASTERING
REV	DESCRIPTION

QUALITY SYMBOLS	THIS DRAWING CONTAINS INFORMATION THAT IS PROPRIETARY TO MOLEX ELECTRONIC TECHNOLOGIES, LLC AND SHOULD NOT BE USED WITHOUT WRITTEN PERMISSION		INSPECTION BALLON NUMBER LOG		PER DRAWING REVISION: W5		LAST BALLOON USED: 16		ADDED BALLOON NUMBERS:		REMOVED BALLOON NUMBERS:																																																																
□ = 0 ▽ = 0 ▽ = 0 ▽ = 0 ▽ = 0 ▽ = 0 ▽ = 0 ▽ = 0 ▽ = 0 ▽ = 0 ▽ = 0	EC NO: 174425 DRWN: KHEWITT CHKD: ECOLARUSSO REV APPR: JDUNAJ	2018/02/26 2018/03/30 2018/04/02	GENERAL TOLERANCES (UNLESS SPECIFIED) DIMENSION UNITS: MM ONLY SCALE: 5:1 DRWN BY: TMACHUGA DATE: 2011/11/23 CHKD BY: SMARCEAU DATE: 2011/12/19 APPR BY: SMARCEAU DATE: 2011/12/19 DRAFT WHERE APPLICABLE MUST REMAIN WITHIN DIMENSIONS DIMENSION UNITS: MM ONLY SCALE: 5:1 DRWN BY: TMACHUGA DATE: 2011/11/23 CHKD BY: SMARCEAU DATE: 2011/12/19 APPR BY: SMARCEAU DATE: 2011/12/19 DRAFT WHERE APPLICABLE MUST REMAIN WITHIN DIMENSIONS	DIMENSION UNITS: MM ONLY SCALE: 5:1 DRWN BY: TMACHUGA DATE: 2011/11/23 CHKD BY: SMARCEAU DATE: 2011/12/19 APPR BY: SMARCEAU DATE: 2011/12/19 DRAFT WHERE APPLICABLE MUST REMAIN WITHIN DIMENSIONS	DIMENSION UNITS: MM ONLY SCALE: 5:1 DRWN BY: TMACHUGA DATE: 2011/11/23 CHKD BY: SMARCEAU DATE: 2011/12/19 APPR BY: SMARCEAU DATE: 2011/12/19 DRAFT WHERE APPLICABLE MUST REMAIN WITHIN DIMENSIONS	DIMENSION UNITS: MM ONLY SCALE: 5:1 DRWN BY: TMACHUGA DATE: 2011/11/23 CHKD BY: SMARCEAU DATE: 2011/12/19 APPR BY: SMARCEAU DATE: 2011/12/19 DRAFT WHERE APPLICABLE MUST REMAIN WITHIN DIMENSIONS	DIMENSION UNITS: MM ONLY SCALE: 5:1 DRWN BY: TMACHUGA DATE: 2011/11/23 CHKD BY: SMARCEAU DATE: 2011/12/19 APPR BY: SMARCEAU DATE: 2011/12/19 DRAFT WHERE APPLICABLE MUST REMAIN WITHIN DIMENSIONS	DIMENSION UNITS: MM ONLY SCALE: 5:1 DRWN BY: TMACHUGA DATE: 2011/11/23 CHKD BY: SMARCEAU DATE: 2011/12/19 APPR BY: SMARCEAU DATE: 2011/12/19 DRAFT WHERE APPLICABLE MUST REMAIN WITHIN DIMENSIONS	DIMENSION UNITS: MM ONLY SCALE: 5:1 DRWN BY: TMACHUGA DATE: 2011/11/23 CHKD BY: SMARCEAU DATE: 2011/12/19 APPR BY: SMARCEAU DATE: 2011/12/19 DRAFT WHERE APPLICABLE MUST REMAIN WITHIN DIMENSIONS	DIMENSION UNITS: MM ONLY SCALE: 5:1 DRWN BY: TMACHUGA DATE: 2011/11/23 CHKD BY: SMARCEAU DATE: 2011/12/19 APPR BY: SMARCEAU DATE: 2011/12/19 DRAFT WHERE APPLICABLE MUST REMAIN WITHIN DIMENSIONS	DIMENSION UNITS: MM ONLY SCALE: 5:1 DRWN BY: TMACHUGA DATE: 2011/11/23 CHKD BY: SMARCEAU DATE: 2011/12/19 APPR BY: SMARCEAU DATE: 2011/12/19 DRAFT WHERE APPLICABLE MUST REMAIN WITHIN DIMENSIONS	DIMENSION UNITS: MM ONLY SCALE: 5:1 DRWN BY: TMACHUGA DATE: 2011/11/23 CHKD BY: SMARCEAU DATE: 2011/12/19 APPR BY: SMARCEAU DATE: 2011/12/19 DRAFT WHERE APPLICABLE MUST REMAIN WITHIN DIMENSIONS	DIMENSION UNITS: MM ONLY SCALE: 5:1 DRWN BY: TMACHUGA DATE: 2011/11/23 CHKD BY: SMARCEAU DATE: 2011/12/19 APPR BY: SMARCEAU DATE: 2011/12/19 DRAFT WHERE APPLICABLE MUST REMAIN WITHIN DIMENSIONS																																																														
<table border="1"> <thead> <tr> <th colspan="4">INSPECTION BALLON NUMBER LOG</th> </tr> </thead> <tbody> <tr> <td colspan="4">PER DRAWING REVISION: W5</td> </tr> <tr> <td colspan="4">LAST BALLOON USED: 16</td> </tr> <tr> <td colspan="4">ADDED BALLOON NUMBERS:</td> </tr> <tr> <td colspan="4">REMOVED BALLOON NUMBERS:</td> </tr> </tbody> </table>													INSPECTION BALLON NUMBER LOG				PER DRAWING REVISION: W5				LAST BALLOON USED: 16				ADDED BALLOON NUMBERS:				REMOVED BALLOON NUMBERS:																																														
INSPECTION BALLON NUMBER LOG																																																																											
PER DRAWING REVISION: W5																																																																											
LAST BALLOON USED: 16																																																																											
ADDED BALLOON NUMBERS:																																																																											
REMOVED BALLOON NUMBERS:																																																																											
<table border="1"> <tbody> <tr> <td>W5</td> <td>ADDED DIM BALLOON 15 & 16</td> </tr> <tr> <td>W4</td> <td>ADDED 16CKT GOLD DEPOPULATED POL A P/N</td> </tr> <tr> <td>W3</td> <td>NX REMASTERING</td> </tr> <tr> <td>REV</td> <td>DESCRIPTION</td> </tr> </tbody> </table>													W5	ADDED DIM BALLOON 15 & 16	W4	ADDED 16CKT GOLD DEPOPULATED POL A P/N	W3	NX REMASTERING	REV	DESCRIPTION																																																							
W5	ADDED DIM BALLOON 15 & 16																																																																										
W4	ADDED 16CKT GOLD DEPOPULATED POL A P/N																																																																										
W3	NX REMASTERING																																																																										
REV	DESCRIPTION																																																																										
<table border="1"> <thead> <tr> <th colspan="2">QUALITY SYMBOLS</th> <th colspan="2">THIS DRAWING CONTAINS INFORMATION THAT IS PROPRIETARY TO MOLEX ELECTRONIC TECHNOLOGIES, LLC AND SHOULD NOT BE USED WITHOUT WRITTEN PERMISSION</th> <th colspan="2">INSPECTION BALLON NUMBER LOG</th> <th colspan="2">PER DRAWING REVISION: W5</th> <th colspan="2">LAST BALLOON USED: 16</th> <th colspan="2">ADDED BALLOON NUMBERS:</th> <th colspan="2">REMOVED BALLOON NUMBERS:</th> </tr> </thead> <tbody> <tr> <td>□ = 0</td> <td>▽ = 0</td> <td>EC NO: 174425</td> <td>DRWN: KHEWITT</td> <td>2018/02/26</td> <td>GENERAL TOLERANCES (UNLESS SPECIFIED)</td> <td>DIMENSION UNITS: MM ONLY</td> <td>SCALE: 5:1</td> <td colspan="5"> <table border="1"> <thead> <tr> <th colspan="4">INSPECTION BALLON NUMBER LOG</th> </tr> </thead> <tbody> <tr> <td colspan="4">PER DRAWING REVISION: W5</td> </tr> <tr> <td colspan="4">LAST BALLOON USED: 16</td> </tr> <tr> <td colspan="4">ADDED BALLOON NUMBERS:</td> </tr> <tr> <td colspan="4">REMOVED BALLOON NUMBERS:</td> </tr> </tbody> </table> </td> <td colspan="2"> <table border="1"> <thead> <tr> <th colspan="2">molex®</th> </tr> </thead> <tbody> <tr> <td colspan="2">MINI 50 DUAL ROW SMT HEADER ASSEMBLY SALES DRAWING</td> </tr> <tr> <td colspan="2">PRODUCT CUSTOMER DRAWING</td> </tr> <tr> <td>SERIES: 34897</td> <td>MATERIAL NUMBER: SEE CHART</td> <td>CUSTOMER: GENERAL MARKET</td> </tr> <tr> <td>DOCUMENT NUMBER: SD-34897-001</td> <td>DOC TYPE: PSD</td> <td>DOC PART: 000</td> </tr> <tr> <td colspan="2">SHEET NUMBER: 1 OF 5</td> </tr> </tbody> </table> </td> </tr> </tbody> </table>													QUALITY SYMBOLS		THIS DRAWING CONTAINS INFORMATION THAT IS PROPRIETARY TO MOLEX ELECTRONIC TECHNOLOGIES, LLC AND SHOULD NOT BE USED WITHOUT WRITTEN PERMISSION		INSPECTION BALLON NUMBER LOG		PER DRAWING REVISION: W5		LAST BALLOON USED: 16		ADDED BALLOON NUMBERS:		REMOVED BALLOON NUMBERS:		□ = 0	▽ = 0	EC NO: 174425	DRWN: KHEWITT	2018/02/26	GENERAL TOLERANCES (UNLESS SPECIFIED)	DIMENSION UNITS: MM ONLY	SCALE: 5:1	<table border="1"> <thead> <tr> <th colspan="4">INSPECTION BALLON NUMBER LOG</th> </tr> </thead> <tbody> <tr> <td colspan="4">PER DRAWING REVISION: W5</td> </tr> <tr> <td colspan="4">LAST BALLOON USED: 16</td> </tr> <tr> <td colspan="4">ADDED BALLOON NUMBERS:</td> </tr> <tr> <td colspan="4">REMOVED BALLOON NUMBERS:</td> </tr> </tbody> </table>					INSPECTION BALLON NUMBER LOG				PER DRAWING REVISION: W5				LAST BALLOON USED: 16				ADDED BALLOON NUMBERS:				REMOVED BALLOON NUMBERS:				<table border="1"> <thead> <tr> <th colspan="2">molex®</th> </tr> </thead> <tbody> <tr> <td colspan="2">MINI 50 DUAL ROW SMT HEADER ASSEMBLY SALES DRAWING</td> </tr> <tr> <td colspan="2">PRODUCT CUSTOMER DRAWING</td> </tr> <tr> <td>SERIES: 34897</td> <td>MATERIAL NUMBER: SEE CHART</td> <td>CUSTOMER: GENERAL MARKET</td> </tr> <tr> <td>DOCUMENT NUMBER: SD-34897-001</td> <td>DOC TYPE: PSD</td> <td>DOC PART: 000</td> </tr> <tr> <td colspan="2">SHEET NUMBER: 1 OF 5</td> </tr> </tbody> </table>		molex®		MINI 50 DUAL ROW SMT HEADER ASSEMBLY SALES DRAWING		PRODUCT CUSTOMER DRAWING		SERIES: 34897	MATERIAL NUMBER: SEE CHART	CUSTOMER: GENERAL MARKET	DOCUMENT NUMBER: SD-34897-001	DOC TYPE: PSD	DOC PART: 000	SHEET NUMBER: 1 OF 5	
QUALITY SYMBOLS		THIS DRAWING CONTAINS INFORMATION THAT IS PROPRIETARY TO MOLEX ELECTRONIC TECHNOLOGIES, LLC AND SHOULD NOT BE USED WITHOUT WRITTEN PERMISSION		INSPECTION BALLON NUMBER LOG		PER DRAWING REVISION: W5		LAST BALLOON USED: 16		ADDED BALLOON NUMBERS:		REMOVED BALLOON NUMBERS:																																																															
□ = 0	▽ = 0	EC NO: 174425	DRWN: KHEWITT	2018/02/26	GENERAL TOLERANCES (UNLESS SPECIFIED)	DIMENSION UNITS: MM ONLY	SCALE: 5:1	<table border="1"> <thead> <tr> <th colspan="4">INSPECTION BALLON NUMBER LOG</th> </tr> </thead> <tbody> <tr> <td colspan="4">PER DRAWING REVISION: W5</td> </tr> <tr> <td colspan="4">LAST BALLOON USED: 16</td> </tr> <tr> <td colspan="4">ADDED BALLOON NUMBERS:</td> </tr> <tr> <td colspan="4">REMOVED BALLOON NUMBERS:</td> </tr> </tbody> </table>					INSPECTION BALLON NUMBER LOG				PER DRAWING REVISION: W5				LAST BALLOON USED: 16				ADDED BALLOON NUMBERS:				REMOVED BALLOON NUMBERS:				<table border="1"> <thead> <tr> <th colspan="2">molex®</th> </tr> </thead> <tbody> <tr> <td colspan="2">MINI 50 DUAL ROW SMT HEADER ASSEMBLY SALES DRAWING</td> </tr> <tr> <td colspan="2">PRODUCT CUSTOMER DRAWING</td> </tr> <tr> <td>SERIES: 34897</td> <td>MATERIAL NUMBER: SEE CHART</td> <td>CUSTOMER: GENERAL MARKET</td> </tr> <tr> <td>DOCUMENT NUMBER: SD-34897-001</td> <td>DOC TYPE: PSD</td> <td>DOC PART: 000</td> </tr> <tr> <td colspan="2">SHEET NUMBER: 1 OF 5</td> </tr> </tbody> </table>		molex®		MINI 50 DUAL ROW SMT HEADER ASSEMBLY SALES DRAWING		PRODUCT CUSTOMER DRAWING		SERIES: 34897	MATERIAL NUMBER: SEE CHART	CUSTOMER: GENERAL MARKET	DOCUMENT NUMBER: SD-34897-001	DOC TYPE: PSD	DOC PART: 000	SHEET NUMBER: 1 OF 5																												
INSPECTION BALLON NUMBER LOG																																																																											
PER DRAWING REVISION: W5																																																																											
LAST BALLOON USED: 16																																																																											
ADDED BALLOON NUMBERS:																																																																											
REMOVED BALLOON NUMBERS:																																																																											
molex®																																																																											
MINI 50 DUAL ROW SMT HEADER ASSEMBLY SALES DRAWING																																																																											
PRODUCT CUSTOMER DRAWING																																																																											
SERIES: 34897	MATERIAL NUMBER: SEE CHART	CUSTOMER: GENERAL MARKET																																																																									
DOCUMENT NUMBER: SD-34897-001	DOC TYPE: PSD	DOC PART: 000																																																																									
SHEET NUMBER: 1 OF 5																																																																											

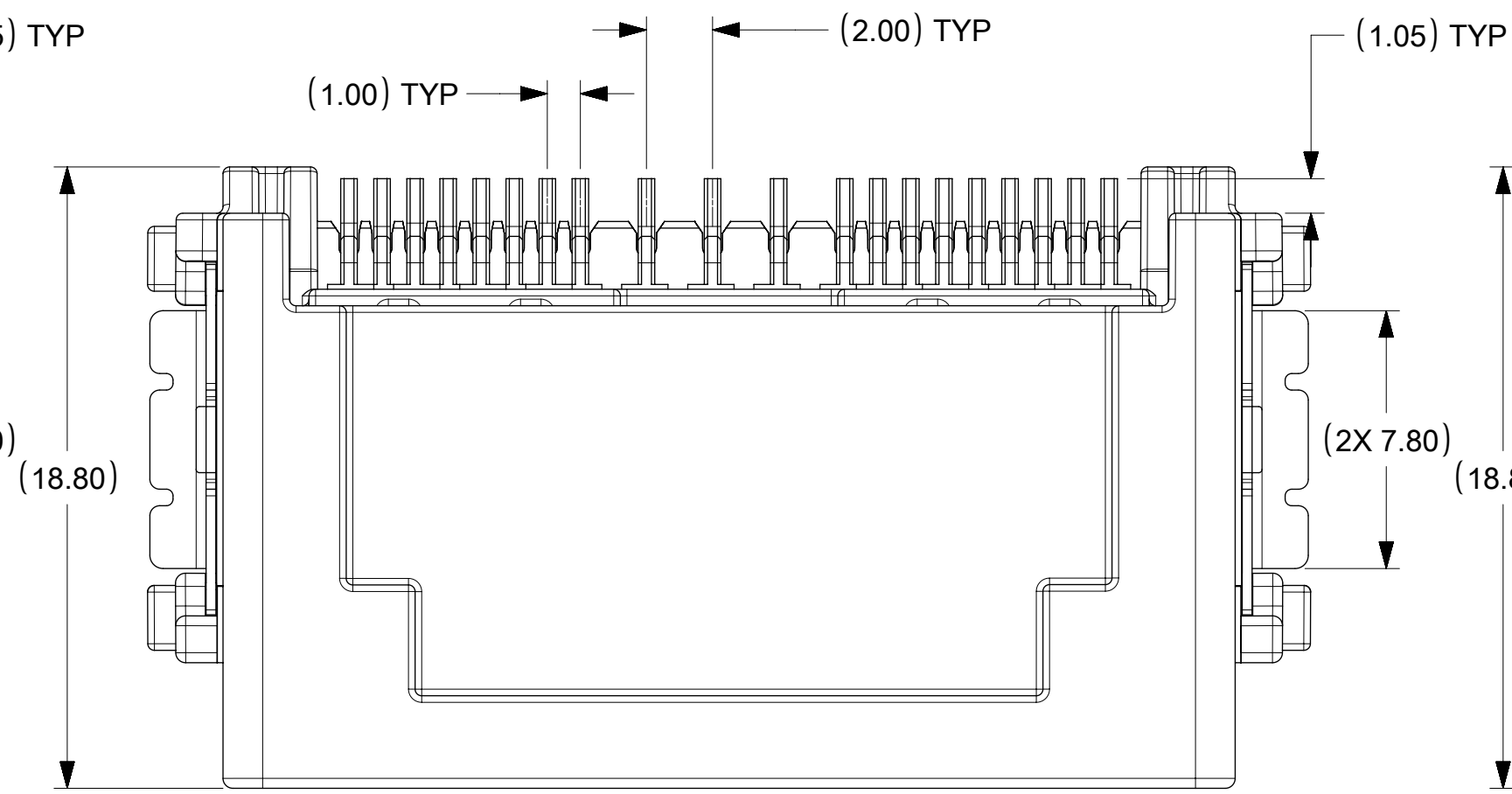
12 CKT SMT USCAR HEADER



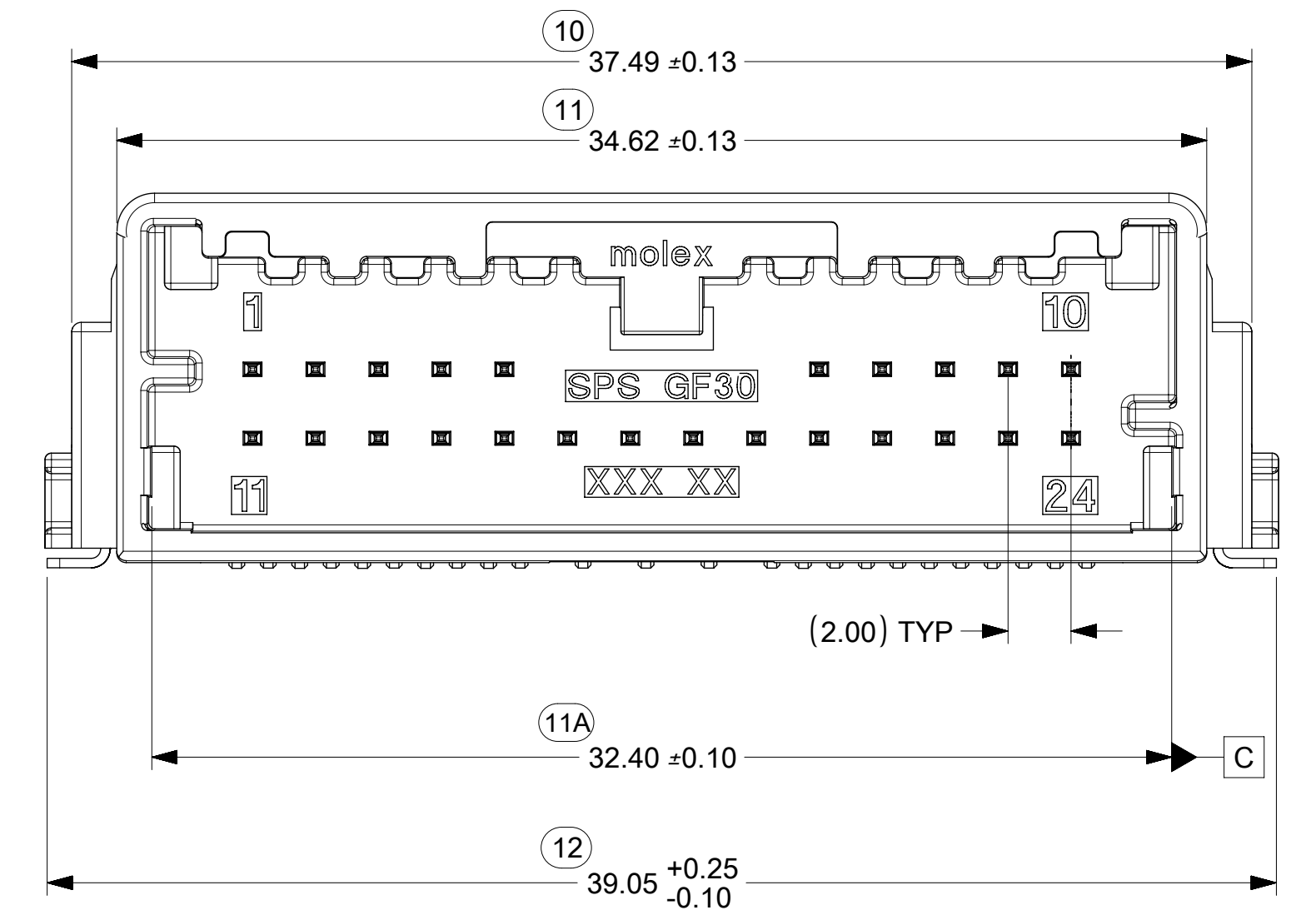
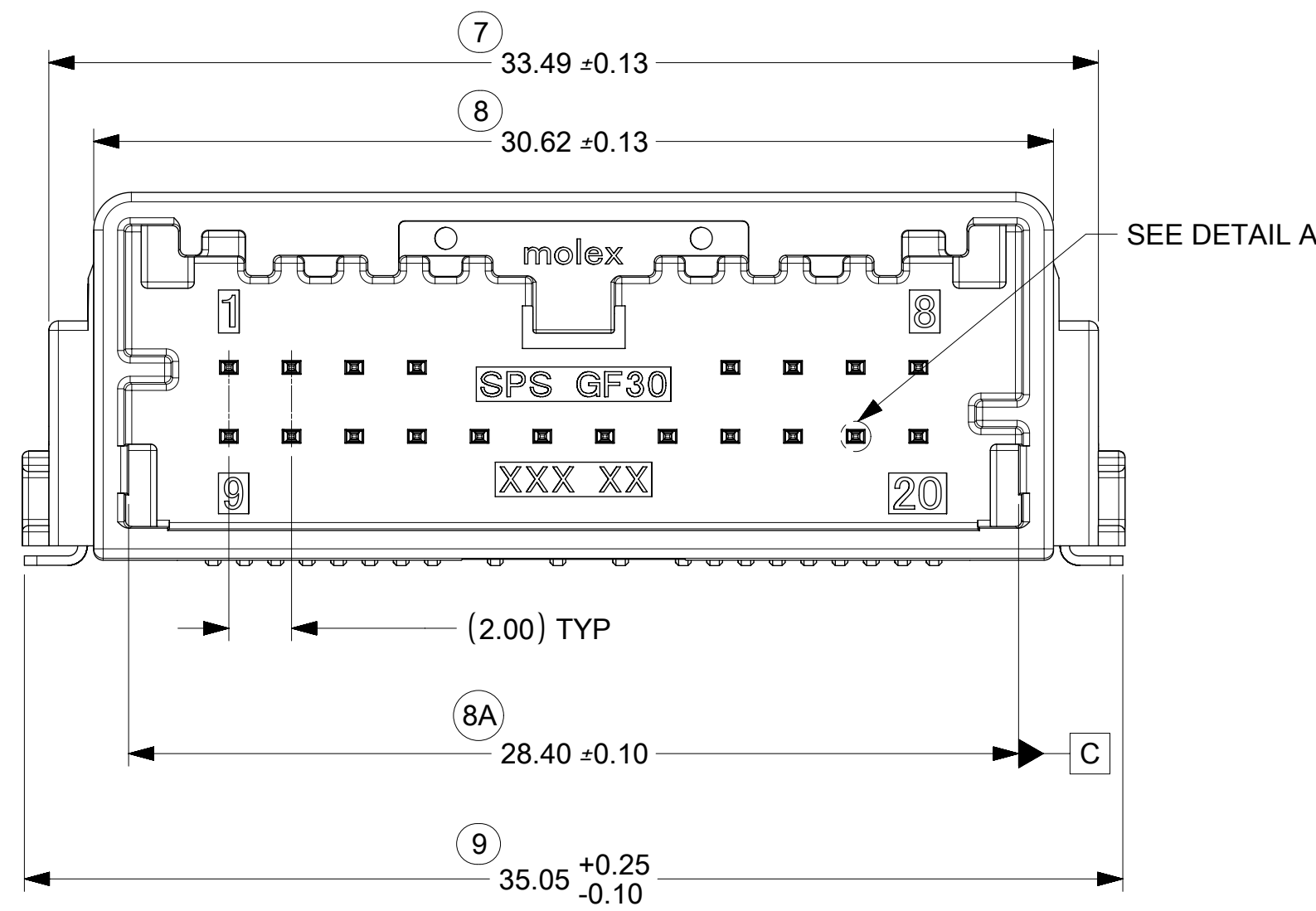
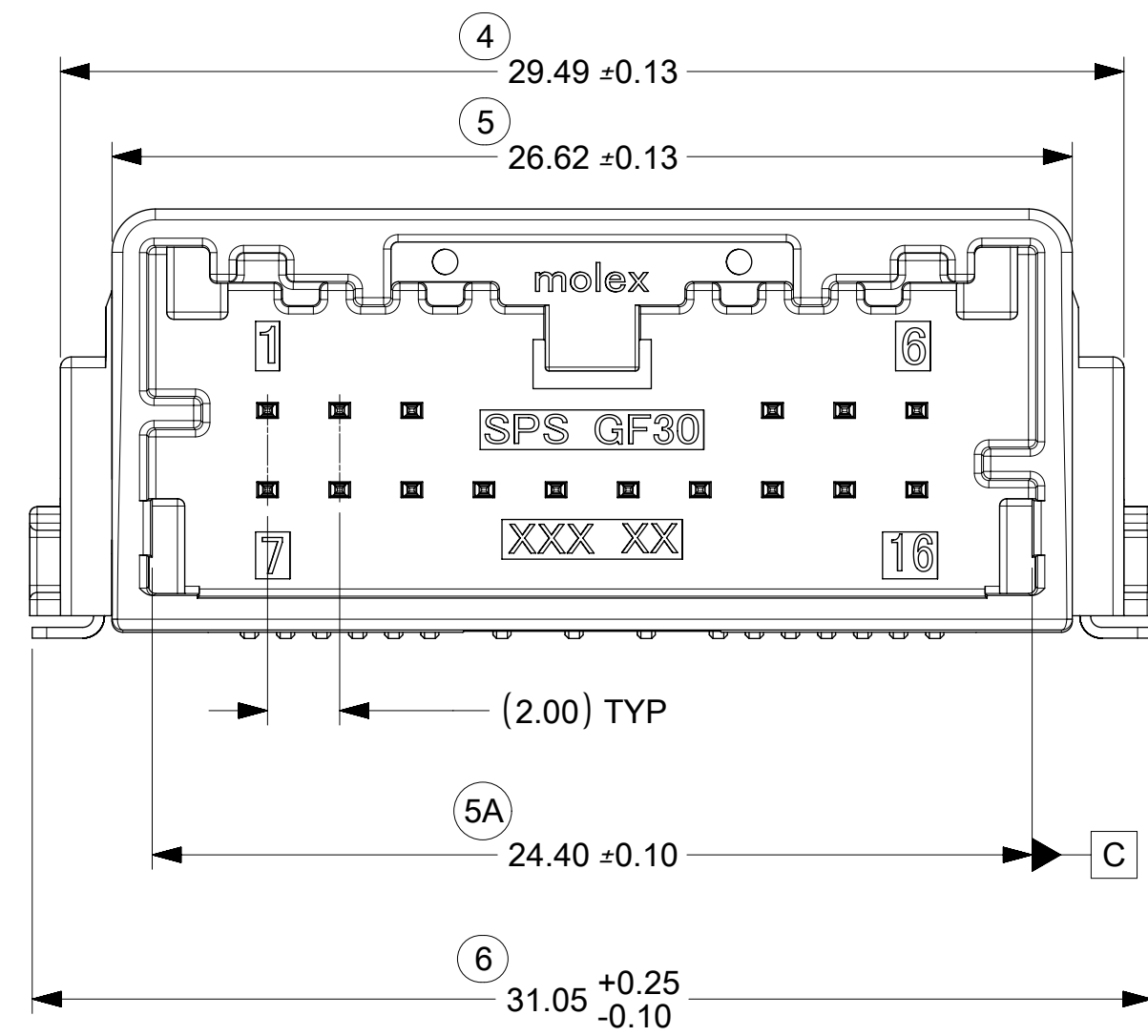
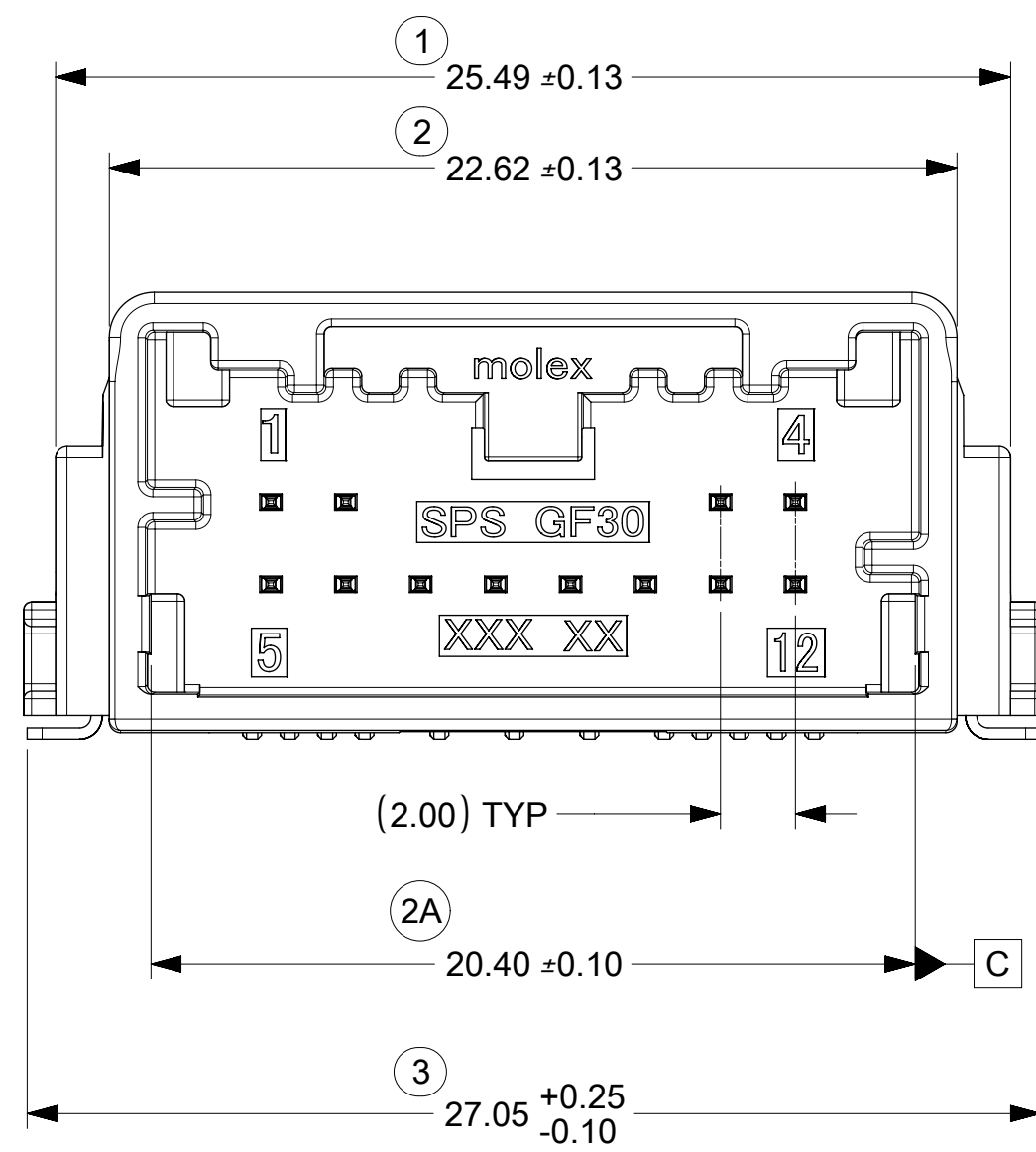
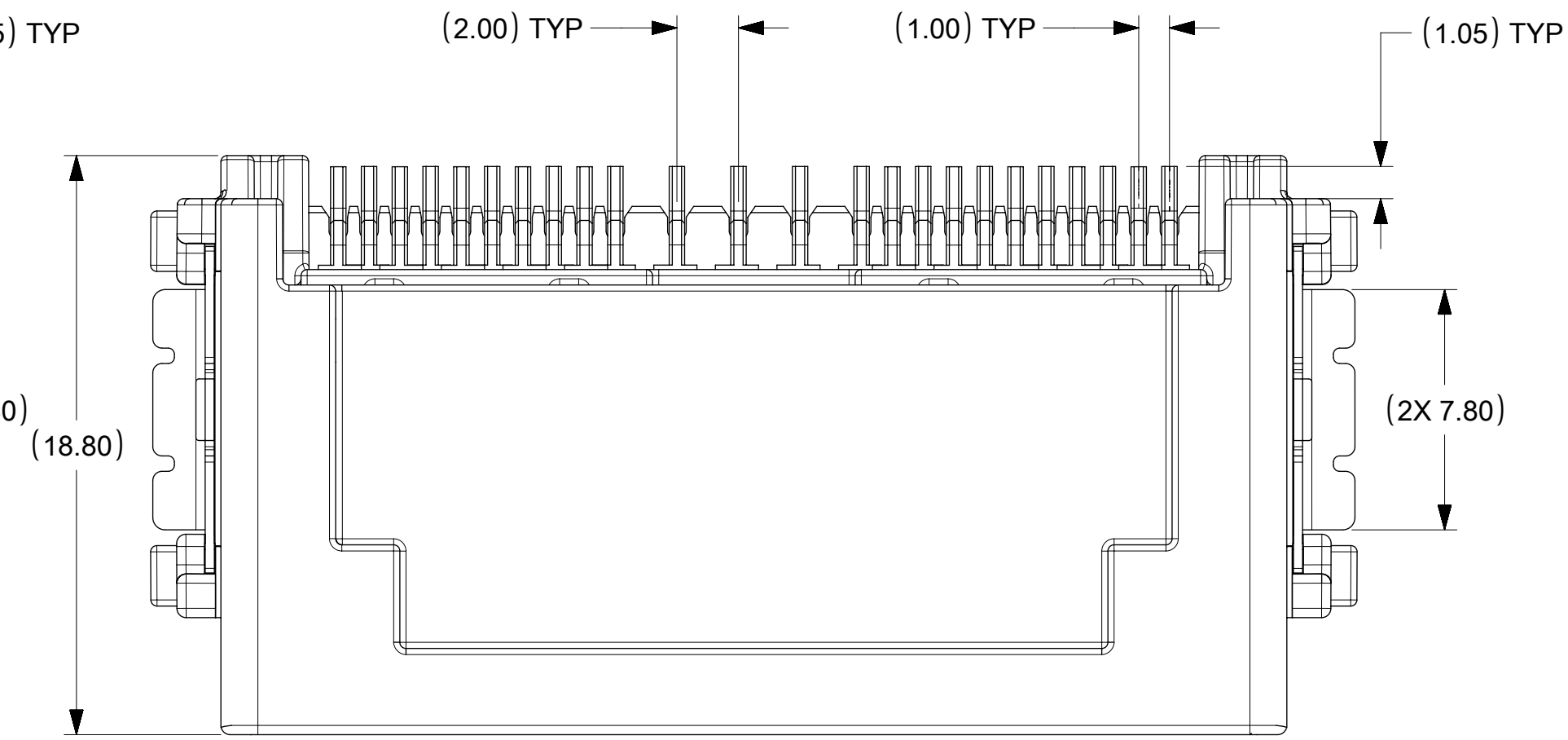
16 CKT SMT HEADER



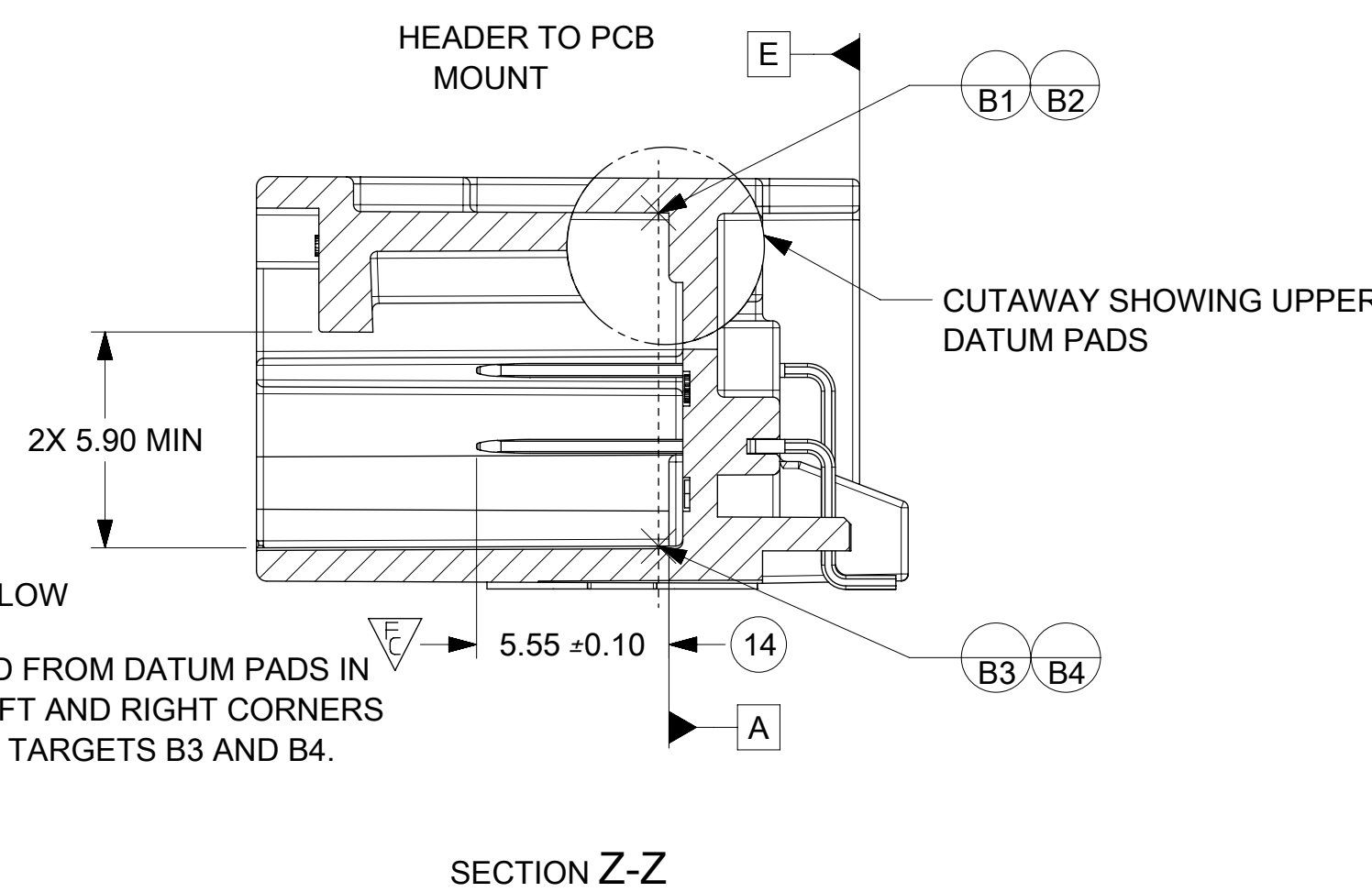
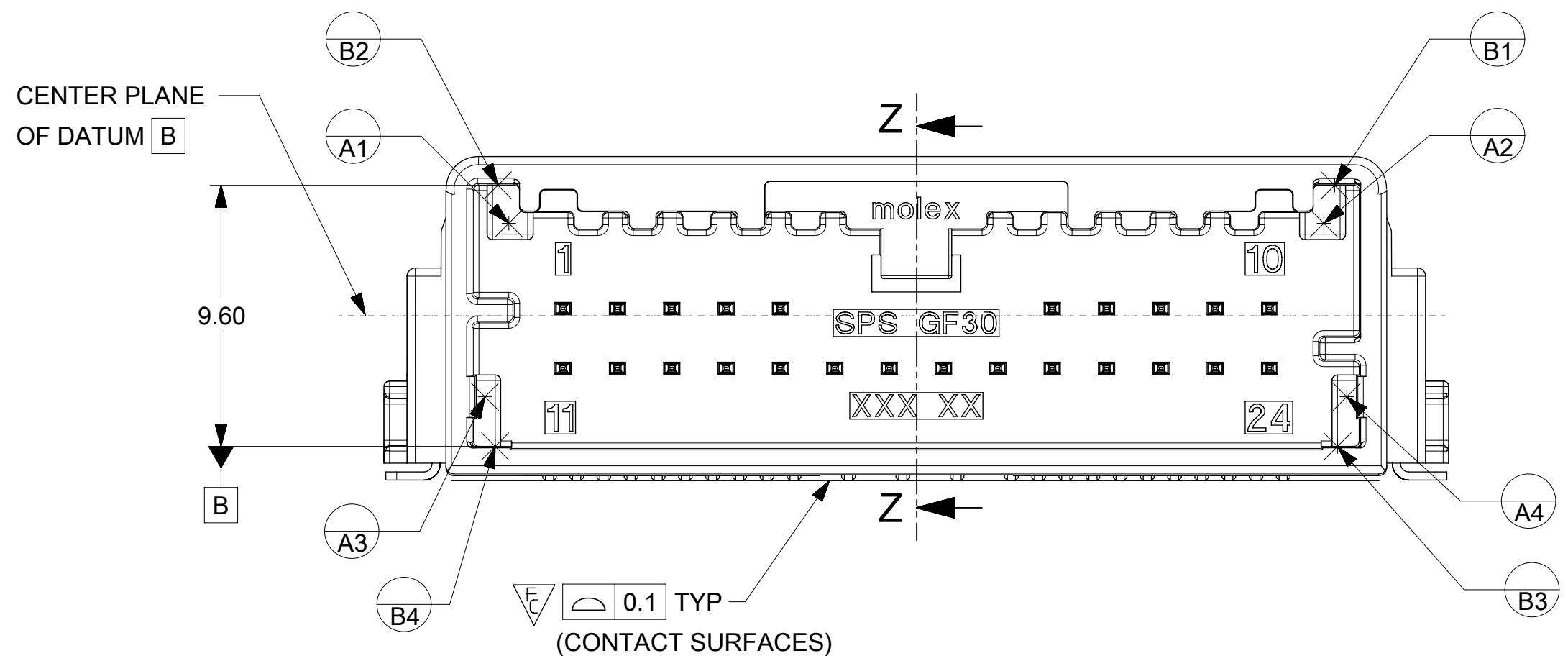
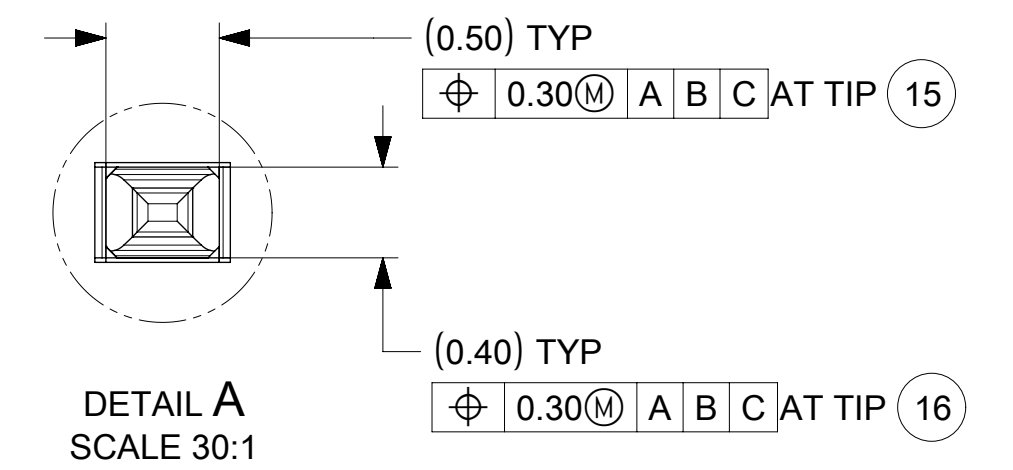
20 CKT SMT HEADER



24 CKT SMT HEADER



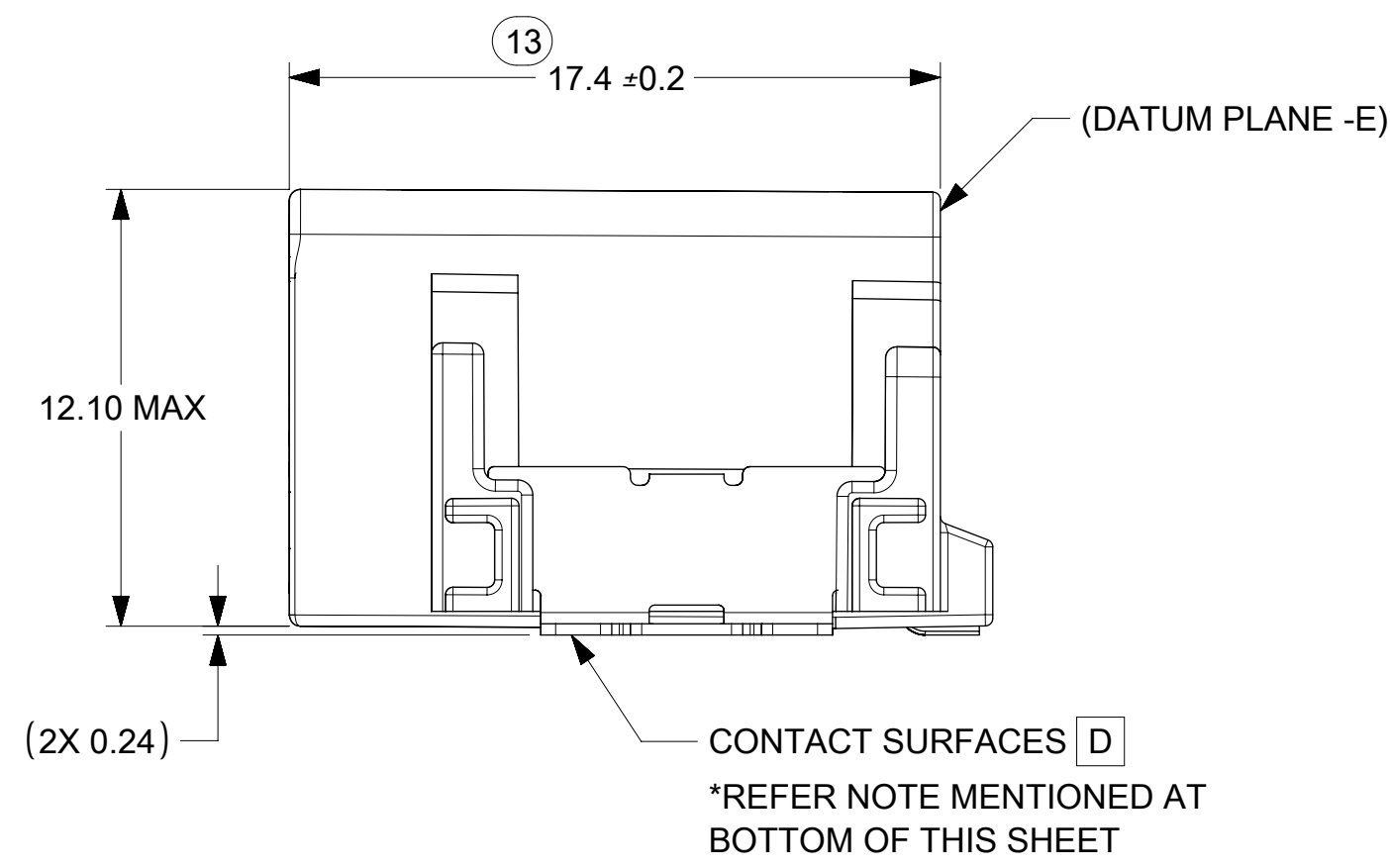
POST-REFLOW MINIMUM LATCH HEIGHT
24 CKT HEADER ASSEMBLY SHOWN AS EXAMPLE



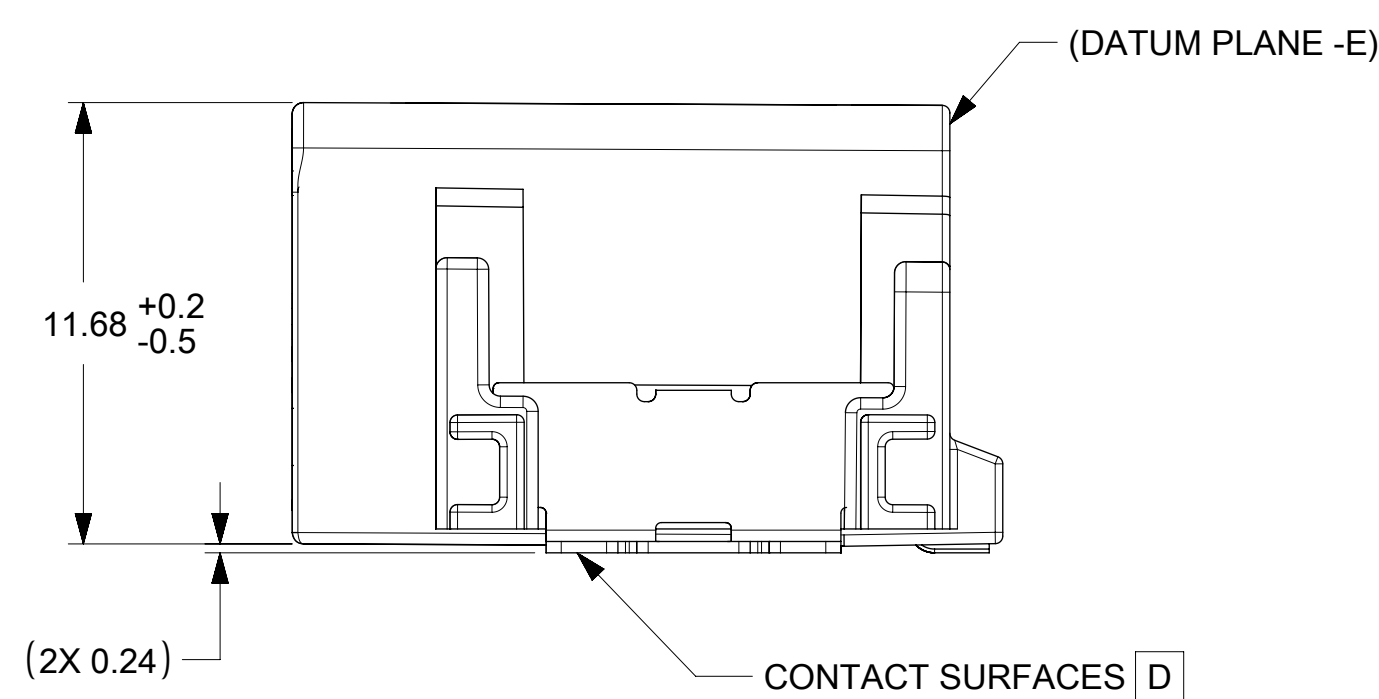
*POST REFLOW
MINIMUM
MEASURED FROM DATUM PADS IN
LOWER LEFT AND RIGHT CORNERS
TO DATUM TARGETS B3 AND B4.

THIS DRAWING CONTAINS INFORMATION THAT IS PROPRIETARY TO MOLEX ELECTRONIC TECHNOLOGIES, LLC AND SHOULD NOT BE USED WITHOUT WRITTEN PERMISSION											
QUALITY SYMBOLS	GENERAL TOLERANCES (UNLESS SPECIFIED)			DIMENSION UNITS	SCALE						
▽ = 0 ▽ = 0 ▽ = 0 ▽ = 0 ▽ = 0 ▽ = 0 ▽ = 0 ▽ = 0	ANGULAR TOL ± 1.0 ° 4 PLACES ± 3 PLACES ± 2 PLACES ± 0.1 1 PLACE ± 0.2 0 PLACES ± DRAFT WHERE APPLICABLE MUST REMAIN WITHIN DIMENSIONS			MM ONLY	5:1						
EC NO: 174425	2018/02/26	2018/03/30	2018/04/02	DRWN BY: KHEWITT	DATE: 2011/11/23	MINI 50 DUAL ROW SMT HEADER ASSEMBLY SALES DRAWING					
CHKD: ECOLARUSSO	2018/02/26	2018/03/30	2018/04/02	REV APPR: JDUNAJ	DATE: 2011/12/19						
PRODUCT CUSTOMER DRAWING				SERIES	MATERIAL NUMBER	CUSTOMER					
W5				DRAWING SIZE	THIRD ANGLE PROJECTION	34897		SEE CHART		GENERAL MARKET	
RELEASE STATUS				RELEASE DATE		DOCUMENT NUMBER		DOC TYPE		DOC PART SHEET NUMBER	
						SD-34897-001		PSD		000 2 OF 5	

**BEFORE REFLOW SOLDERING
TEMPERATURE EXPOSURE**

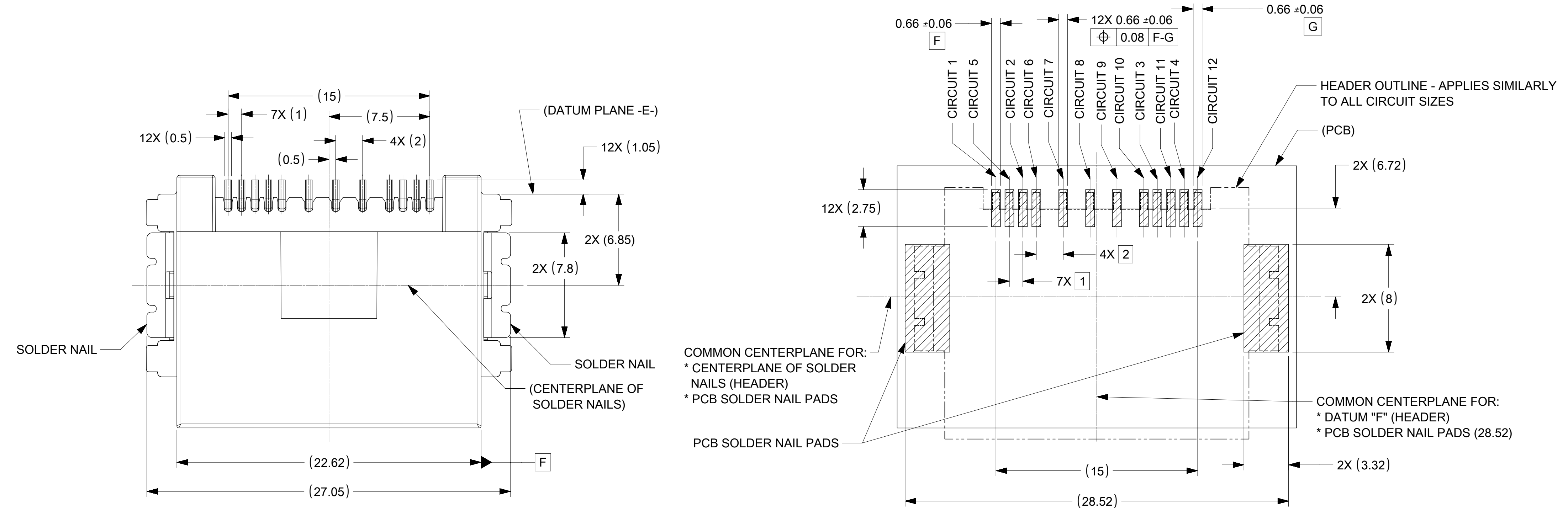


**AFTER REFLOW SOLDERING
TEMPERATURE EXPOSURE**



NOTE:
CONTACTS PER CKT:
12 CKT - 14 CONTACTS
16 CKT - 18 CONTACTS
20 CKT - 22 CONTACTS
24 CKT - 26 CONTACTS

RECOMMENDED PCB LAYOUT:

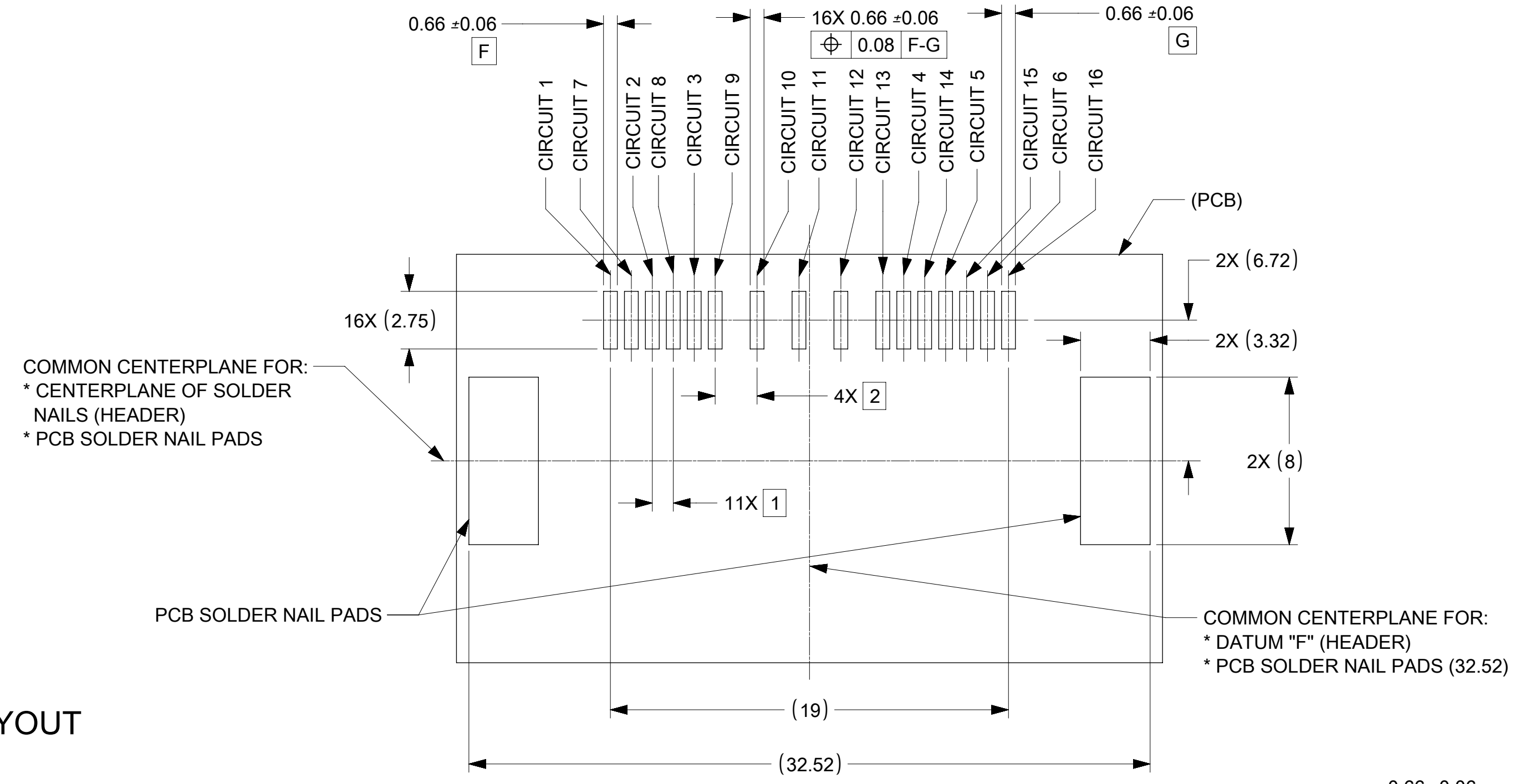


**12 CKT SMT USCAR HEADER (BOTTOM VIEW)
(OTHER CIRCUIT SIZES ARE SIMILAR)**

12 CKT PCB LAYOUT

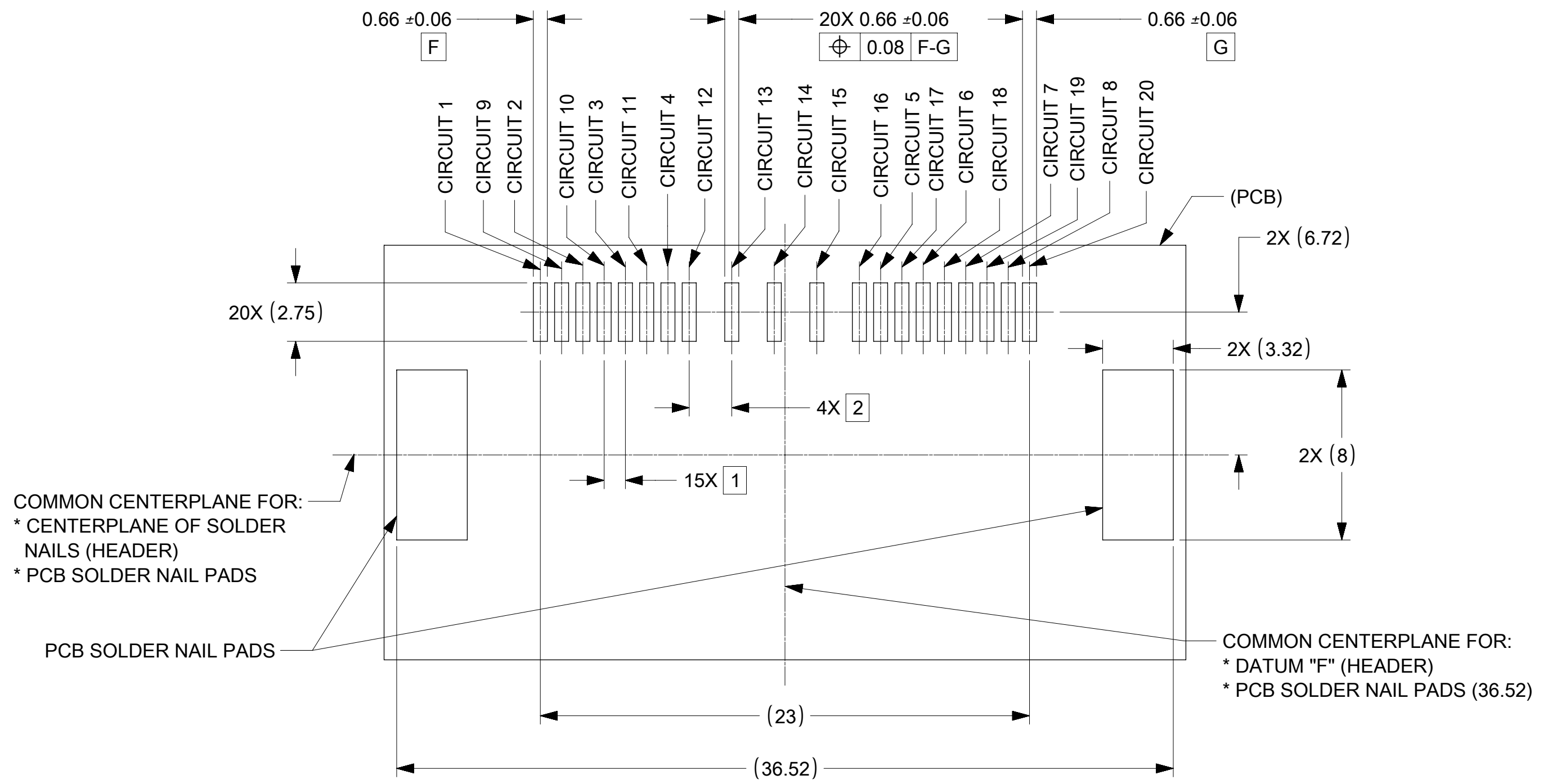
QUALITY SYMBOLS 	THIS DRAWING CONTAINS INFORMATION THAT IS PROPRIETARY TO MOLEX ELECTRONIC TECHNOLOGIES, LLC AND SHOULD NOT BE USED WITHOUT WRITTEN PERMISSION									
	2018/02/26	GENERAL TOLERANCES (UNLESS SPECIFIED)			DIMENSION UNITS	SCALE				
	2018/03/30	ANGULAR TOL ± 1.0 °			MM ONLY	5:1				
	2018/04/02	4 PLACES ±			DRWN BY	DATE	MINI 50 DUAL ROW SMT HEADER ASSEMBLY SALES DRAWING			
	3 PLACES ±			TMACHUGA	2011/11/23					
	2 PLACES ± 0.1			CHKD BY	DATE	PRODUCT CUSTOMER DRAWING				
	1 PLACE ± 0.2			APPR BY	DATE					
	0 PLACES ±			SMARCEAU	2011/12/19	SERIES	MATERIAL NUMBER	CUSTOMER		
	DRAFT WHERE APPLICABLE MUST REMAIN WITHIN DIMENSIONS			DRAWING SIZE	THIRD ANGLE PROJECTION	34897	SEE CHART	GENERAL MARKET		
				D		DOCUMENT NUMBER	DOC TYPE	DOC PART	SHEET NUMBER	
			W5		SD-34897-001	PSD	000	3 OF 5		

16 CKT PCB LAYOUT

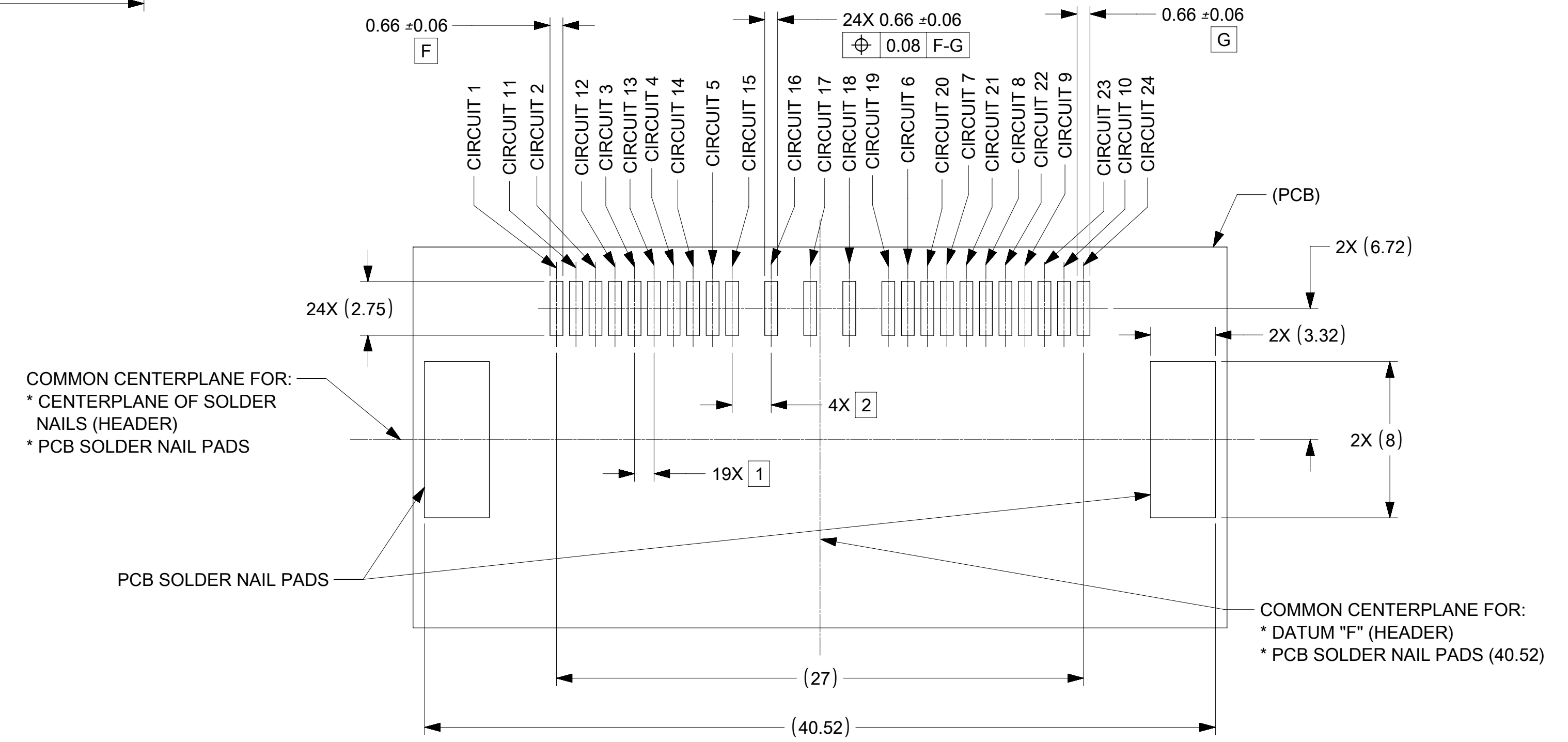


RECOMMENDED PCB LAYOUT:

20 CKT PCB LAYOUT



24 CKT PCB LAYOUT



QUALITY SYMBOLS F = 0 F = 0 F = 0 ▽ = 0 C = 0 ⊠ = 0 ■ = 0 ▽ = 0	THIS DRAWING CONTAINS INFORMATION THAT IS PROPRIETARY TO MOLEX ELECTRONIC TECHNOLOGIES, LLC AND SHOULD NOT BE USED WITHOUT WRITTEN PERMISSION									
	2018/02/26	GENERAL TOLERANCES (UNLESS SPECIFIED)		DIMENSION UNITS	SCALE					
	2018/03/30	ANGULAR TOL ± 1.0 °		MM ONLY	5:1					
	2018/04/02	4 PLACES ±	TMACHUGA	DATE	2011/11/23					
	EC NO: 174425 DRWN: KHEWITT CHKD: ECOLARUSSO REV APPR: JDUNAJ	3 PLACES ±	CHKD BY	DATE						
		2 PLACES ± 0.1	APPR BY	DATE	SMARCEAU 2011/12/19					
		1 PLACE ± 0.2	DRAWING SIZE	THIRD ANGLE PROJECTION	SERIES	MATERIAL NUMBER	CUSTOMER			
		0 PLACES ±	DRAFT WHERE APPLICABLE MUST REMAIN WITHIN DIMENSIONS	D	34897	SEE CHART	GENERAL MARKET			
	W5			DOCUMENT NUMBER	DOC TYPE	DOC PART	SHEET NUMBER			
					SD-34897-001	PSD	000	4 OF 5		


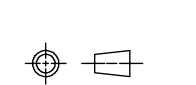
MINI50 SMT DUAL ROW HEADER ASSEMBLIES

GOLD:

MATERIAL NUMBER		CONFIGURATION	CIRCUIT	POL	DEPOPULATED	VOIDED CKTS	COLOR	BLADE PLATING	MATING COMPONENT	
TUBE PACKAGING PK-31301-688	TAPE AND REEL PACKAGING PK-31301-786								UN-BRIDGED	BRIDGED
34897-5120	34897-6120	USCAR	12	A	NO	N/A	BLACK	GOLD	34824-0124	34824-1124
34897-5121	34897-6121	USCAR	12	B	NO	N/A	GRAY	GOLD	34824-0125	34824-1125
34897-5122	34897-6122	USCAR	12	C	NO	N/A	DARK GRAY	GOLD	34824-0126	34824-1126
34897-5160	34897-6160	USCAR	16	A	NO	N/A	BLACK	GOLD	34824-0164	34824-1164
34897-5161	34897-6161	USCAR	16	B	NO	N/A	GRAY	GOLD	34824-0165	34824-1165
34897-5162	34897-6162	USCAR	16	C	NO	N/A	DARK GRAY	GOLD	34824-0166	34824-1166
34897-5200	34897-6200	USCAR	20	A	NO	N/A	BLACK	GOLD	34824-0204	34824-1204
34897-5201	34897-6201	USCAR	20	B	NO	N/A	GRAY	GOLD	34824-0205	34824-1205
34897-5202	34897-6202	USCAR	20	C	NO	N/A	DARK GRAY	GOLD	34824-0206	34824-1206
34897-5240	34897-6240	USCAR	24	A	NO	N/A	BLACK	GOLD	34824-0244	34824-1244
34897-5241	34897-6241	USCAR	24	B	NO	N/A	GRAY	GOLD	34824-0245	34824-1245
34897-5242	34897-6242	USCAR	24	C	NO	N/A	DARK GRAY	GOLD	34824-0246	34824-1246
N/A	34897-6164	USCAR	16	A	YES	1, 2, 3, 4, 5, 6, 10, 13	BLACK	GOLD	34824-0160	34824-1160

TIN:

MATERIAL NUMBER		CONFIGURATION	CIRCUIT	POL	COLOR	BLADE PLATING	MATING COMPONENT	
TUBE PACKAGING PK-31301-688	TAPE AND REEL PACKAGING PK-31301-786						UN-BRIDGED	BRIDGED
34897-9120	34897-8120	USCAR	12	A	BLACK	TIN	34824-0124	34824-1124
34897-9121	34897-8121	USCAR	12	B	GRAY	TIN	34824-0125	34824-1125
34897-9122	34897-8122	USCAR	12	C	DARK GRAY	TIN	34824-0126	34824-1126
34897-9160	34897-8160	USCAR	16	A	BLACK	TIN	34824-0164	34824-1164
34897-9161	34897-8161	USCAR	16	B	GRAY	TIN	34824-0165	34824-1165
34897-9162	34897-8162	USCAR	16	C	DARK GRAY	TIN	34824-0166	34824-1166
34897-9200	34897-8200	USCAR	20	A	BLACK	TIN	34824-0204	34824-1204
34897-9201	34897-8201	USCAR	20	B	GRAY	TIN	34824-0205	34824-1205
34897-9202	34897-8202	USCAR	20	C	DARK GRAY	TIN	34824-0206	34824-1206
34897-9240	34897-8240	USCAR	24	A	BLACK	TIN	34824-0244	34824-1244
34897-9241	34897-8241	USCAR	24	B	GRAY	TIN	34824-0245	34824-1245
34897-9242	34897-8242	USCAR	24	C	DARK GRAY	TIN	34824-0246	34824-1246

QUALITY SYMBOLS □ = 0 ▽ = 0 ▽ = 0 ▽ = 0 ▽ = 0 ▽ = 0 ▽ = 0 ▽ = 0 ▽ = 0 ▽ = 0	THIS DRAWING CONTAINS INFORMATION THAT IS PROPRIETARY TO MOLEX ELECTRONIC TECHNOLOGIES, LLC AND SHOULD NOT BE USED WITHOUT WRITTEN PERMISSION									
	2018/02/26	GENERAL TOLERANCES (UNLESS SPECIFIED)		DIMENSION UNITS	SCALE					
	2018/03/30	ANGULAR TOL ± 1.0 °		MM ONLY	1:1					
	2018/04/02	4 PLACES ±		DRWN BY	DATE	MINI 50 DUAL ROW SMT HEADER ASSEMBLY SALES DRAWING				
		3 PLACES ±		TMACHUGA	2011/11/23					
		2 PLACES ± 0.1		CHKD BY	DATE	PRODUCT CUSTOMER DRAWING				
		1 PLACE ± 0.2		APPR BY	DATE					
		0 PLACES ±		SMARCEAU	2011/12/19	SERIES	MATERIAL NUMBER	CUSTOMER		
		DRAFT WHERE APPLICABLE MUST REMAIN WITHIN DIMENSIONS		DRAWING SIZE	THIRD ANGLE PROJECTION	34897	SEE CHART	GENERAL MARKET		
				D		DOCUMENT NUMBER	DOC TYPE	DOC PART	SHEET NUMBER	
					SD-34897-001	PSD	000	5 OF 5		