



Chipsmall Limited consists of a professional team with an average of over 10 year of expertise in the distribution of electronic components. Based in Hongkong, we have already established firm and mutual-benefit business relationships with customers from,Europe,America and south Asia,supplying obsolete and hard-to-find components to meet their specific needs.

With the principle of "Quality Parts,Customers Priority,Honest Operation,and Considerate Service",our business mainly focus on the distribution of electronic components. Line cards we deal with include Microchip,ALPS,ROHM,Xilinx,Pulse,ON,Everlight and Freescale. Main products comprise IC,Modules,Potentiometer,IC Socket,Relay,Connector.Our parts cover such applications as commercial,industrial, and automotives areas.

We are looking forward to setting up business relationship with you and hope to provide you with the best service and solution. Let us make a better world for our industry!



Contact us

Tel: +86-755-8981 8866 Fax: +86-755-8427 6832

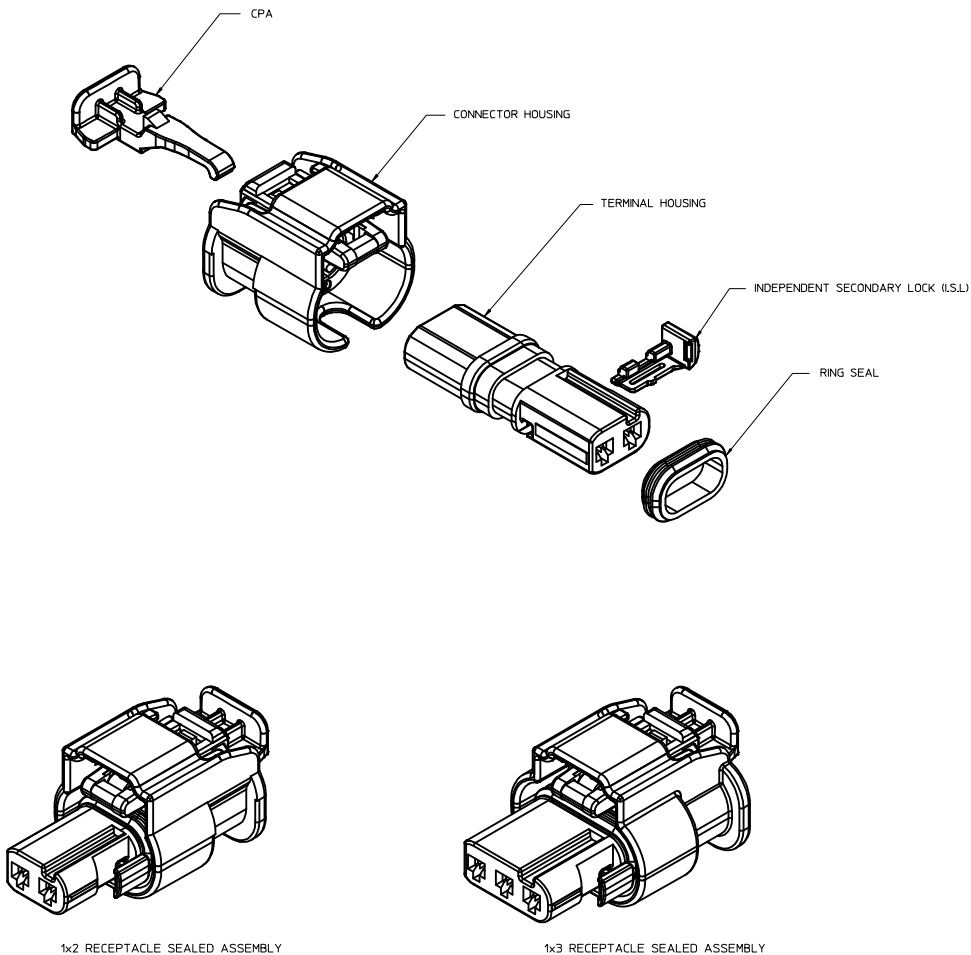
Email & Skype: info@chipsmall.com Web: www.chipsmall.com

Address: A1208, Overseas Decoration Building, #122 Zhenhua RD., Futian, Shenzhen, China



TABLE OF CONTENTS

SHEET NO.	SHEET DESCRIPTION
1	NOTES
2	1x2 RECEPTACLE SEALED ASSEMBLY KEYING CONFIGURATIONS
3	1x3 RECEPTACLE SEALED ASSEMBLY KEYING CONFIGURATIONS
4	RECEPTACLE SEALED ASSEMBLY
5	1x2 RECEPTACLE SEALED ASSEMBLY BOM SHEET 1
6	1x3 RECEPTACLE SEALED ASSEMBLY BOM SHEET 1



NOTES: VALID UNLESS OTHERWISE SPECIFIED

1. GENERAL:
a. APPLICATION SPECIFICATION SEE: AS-34900-0001
 CONTAINS: PRODUCT INTRODUCTION, PRODUCT SUMMARY, CONNECTOR ASSEMBLY, PACKAGING INFORMATION, CONNECTOR MATING, SERVICE INSTRUCTIONS, ELECTRICAL CONTINUITY CHECKING, CRIMPING, AND TROUBLESHOOTING.
b. PRODUCT SPECIFICATION SEE: PS-34900-0001
 CONTAINS: PRODUCT INTRODUCTION, PRODUCT SUMMARY, RATINGS (CURRENT, TEMPERATURE, SEALING, AND FLAMMABILITY), AND PRODUCT VALIDATION.
c. PACKAGING SPECIFICATION PER MOLEX DRAWING: PK-31301-898
d. PARTS MUST BE IN COMPLIANCE TO MOLEX CHEMICAL SUBSTANCES FOR PRODUCTS AND PACKAGING SPECIFICATION: ES-40000-5016
e. DATA MUST BE SUBMITTED UNDER THE MOLEX PART NUMBER TO IMDS (COMPANY ID#13255)
f. DESIGNED TO MATE WITH DEVICE CONNECTION AS SPECIFIED IN BOM CHART. USCAR DRAWINGS AND MODELS ARE AVAILABLE AT <http://ewcapuscarteams.org/>.

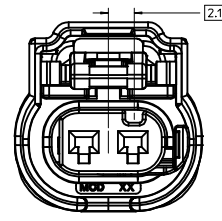
2. DESIGN - MATERIALS:
a. SEE BOM TABLE

3. DESIGN - GEOMETRY:
a. THIS IS A 100% CAD GENERATED PART. THE CAD MATHEMATICAL DATA IS THE MASTER FOR THIS PART. FOR DIMENSIONAL OR ANY INFORMATION NOT SHOWN ON THIS DRAWING, ANALYZE THE CAD MODEL.
b. GEOMETRIC DIMENSIONS AND TOLERANCES PER ASME Y14.5M - 1994
c. EDGES AND UNDIMENSIONED DETAILS PER ISO13715
d. CORNERS SHOWN AS SHARP TO BE R 0.2 MAX.
e. LETTERING SHALL BE 0.15 MAX RAISED IN 0.25 MAX RECESS PAD. THIS INCLUDES RECYCLING CODE, CAVITY ID, VENDOR IDENTIFICATION, AND CUSTOMER MATERIAL NUMBER.
f. VISUAL DEFECTS SHALL MEET COSMETIC STANDARD PS-45499-002 (Class B) AND LASER MARKING:
1. PART NUMBER
2. DAY OF THE YEAR
3. SHIFT
4. YEAR

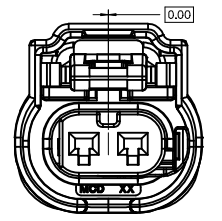
REV	DESCRIPTION
C	34900-3127 RELEASED AS SALEABLE
B	PRIMARY KEYS (A,B) MOVED TO SALEABLE
A10	ADDED 1X3 SEVERE VIBRATION PART NUMBER
A9	1X2 AND 1X3 PART # STATUS UPDATED DIMENSION 2 UPDATED
A8	1X2 PART # UPDATED TO *TOOLED BUT NOT VALIDATED*
A7	1X2 PART # UPDATED TO *TOOLED BUT NOT VALIDATED*
A6	ADDED NEW PART NUMBERS FOR LATCH IMPROVEMENT
A5	BOM CORRECTIONS AND UPDATES
A4	BOM CORRECTIONS AND UPDATES
A3	1x2, 1x3 NON-SIR OK TO TOOL
A2	MINOR BOM CORRECTIONS
A1	ADDED COMPONENTS TO BOM
A	ADDED BLACK PART NUMBERS AND MINOR BOM UPDATES
3	ADDED 1x3
2	MINOR BOM CORRECTIONS
1	INITIAL RELEASE

ENTER DESCRIPTION EC NO: VAL2017-0205 DRWN: PATE01 2016/09/07 CHKD: APPR: KOLEKSKI 2016/09/13 REV:	QUALITY SYMBOLS ∇=0 ∇=0 ∇=0	GENERAL TOLERANCES (UNLESS SPECIFIED) <table border="1"> <thead> <tr> <th></th> <th>mm</th> <th>INCH</th> </tr> </thead> <tbody> <tr> <td>4 PLACES</td> <td>±.005</td> <td>±.0002</td> </tr> <tr> <td>3 PLACES</td> <td>±.010</td> <td>±.0004</td> </tr> <tr> <td>2 PLACES</td> <td>±.020</td> <td>±.0008</td> </tr> <tr> <td>1 PLACE</td> <td>±.050</td> <td>±.0020</td> </tr> <tr> <td>0 PLACE</td> <td>±.100</td> <td>±.0040</td> </tr> </tbody> </table> ANGULAR ± 3 ° DRAFT WHERE APPLICABLE MUST REMAIN WITHIN DIMENSIONS		mm	INCH	4 PLACES	±.005	±.0002	3 PLACES	±.010	±.0004	2 PLACES	±.020	±.0008	1 PLACE	±.050	±.0020	0 PLACE	±.100	±.0040	DIMENSION STYLE MM ONLY DRAWN BY: MYANSLAMBROU 2012/02/15 CHECKED BY: DATE APPROVED BY: GGA 2012/12/13 DATE MATERIAL NO: SEE TABLE	SCALE: 4:1 DESIGN UNITS: METRIC THIRD ANGLE PROJECTION TITLE: 12MM 1X2, 1X3 RECP. SEALED ASSEMBLY CABLE SEAL molex DOCUMENT NO: SD-34900-0001 SHEET NO: 1 OF 6
		mm	INCH																			
	4 PLACES	±.005	±.0002																			
	3 PLACES	±.010	±.0004																			
2 PLACES	±.020	±.0008																				
1 PLACE	±.050	±.0020																				
0 PLACE	±.100	±.0040																				
THIS DRAWING CONTAINS INFORMATION THAT IS PROPRIETARY TO MOLEX INCORPORATED AND SHOULD NOT BE USED WITHOUT WRITTEN PERMISSION																						
SIZE: D																						
THIS DRAWING CONTAINS INFORMATION THAT IS PROPRIETARY TO MOLEX INCORPORATED AND SHOULD NOT BE USED WITHOUT WRITTEN PERMISSION																						

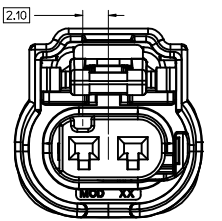
1x2 RECEPTACLE SEALED ASSEMBLY KEYING CONFIGURATIONS. FOR PART NUMBERS REFER TO BOM SHEET.



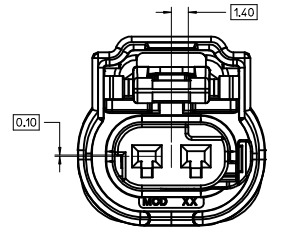
KEYING OPTION A



KEYING OPTION B



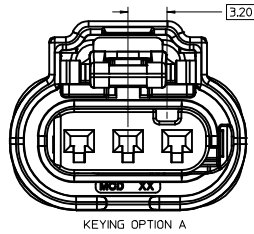
KEYING OPTION C



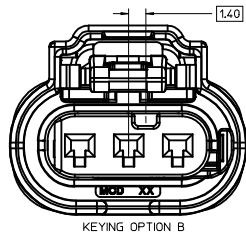
KEYING OPTION E

ENTER DESCRIPTION IEC NO: UAU2017-0205 DRAWN/PATE01 2016/09/07 CHKD: APPR:KIEGSKI 2016/09/13	QUALITY SYMBOLS ▽=0 ▽=0 ▽=0	GENERAL TOLERANCES (UNLESS SPECIFIED)		DIMENSION STYLE MM ONLY	SCALE 5:1	DESIGN UNITS METRIC	THIRD ANGLE PROJECTION		
		4 PLACES ± --- ± --- 3 PLACES ± --- ± --- 2 PLACES ± 0.10 ± --- 1 PLACE ± 0.20 ± --- 0 PLACE ± 0.50 ±	mm INCH	DRAWN BY DATE MYANSLAMBROU 2012/02/15	CHECKED BY DATE	TITLE 12MM 1X2. 1X3 RECP.T. SEALED ASSEMBLY CABLE SEAL			
		ANGULAR ± 3 ° DRAFT WHERE APPLICABLE MUST REMAIN WITHIN DIMENSIONS		APPROVED BY DATE GGA 2012/12/13	MATERIAL NO. SEE BOM		DOCUMENT NO. SD-34900-2001		
				SIZE D	THIS DRAWING CONTAINS INFORMATION THAT IS PROPRIETARY TO MOLEX INCORPORATED AND SHOULD NOT BE USED WITHOUT WRITTEN PERMISSION				

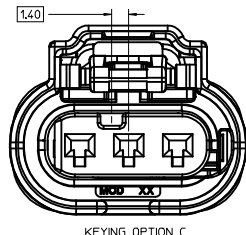
1x3 RECEPTACLE SEALED ASSEMBLY KEYING CONFIGURATIONS. FOR PART NUMBERS REFER TO BOM SHEET.



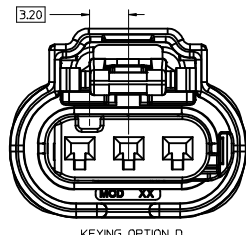
KEYING OPTION A



KEYING OPTION B

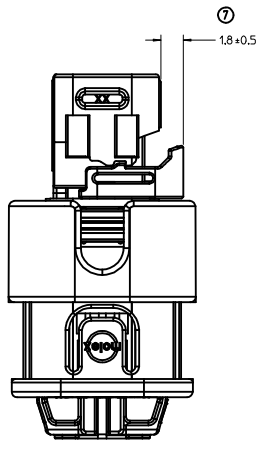
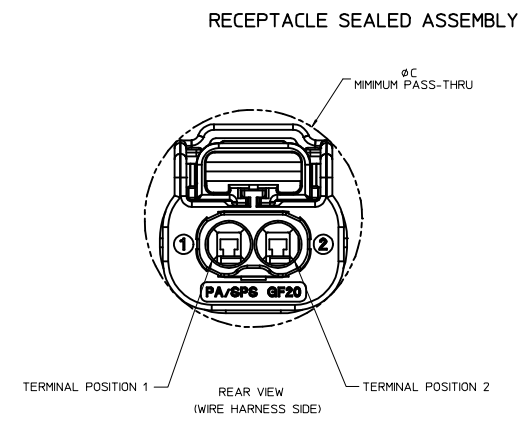
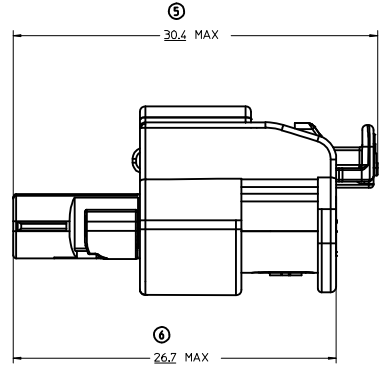
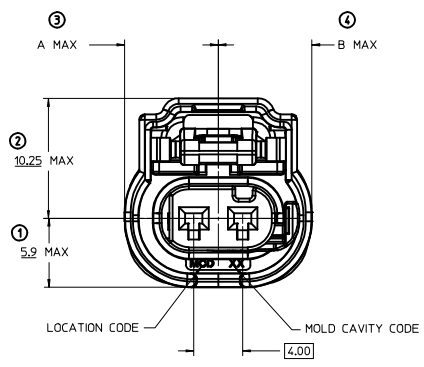
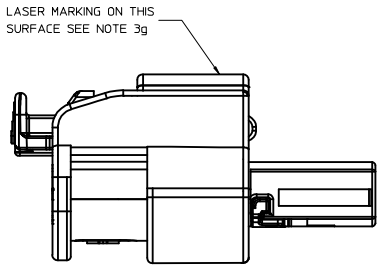


KEYING OPTION C

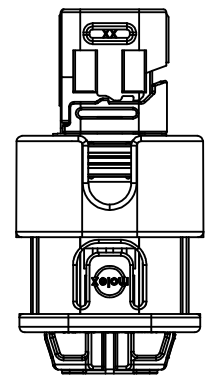


KEYING OPTION D

ENTER DESCRIPTION IEC NO: UAU2017-0205 DRAWN/PATE01 2016/09/07 CHKD: APPR:KIEKSKI 2016/09/13	QUALITY SYMBOLS ▽=0 ▽=0 ▽=0	GENERAL TOLERANCES (UNLESS SPECIFIED)		DIMENSION STYLE MM ONLY	SCALE 5:1	DESIGN UNITS METRIC	THIRD ANGLE PROJECTION		
		4 PLACES ± --- ± --- 3 PLACES ± --- ± --- 2 PLACES ± 0.10 ± --- 1 PLACE ± 0.20 ± --- 0 PLACE ± 0.50 ±	mm INCH	DRAWN BY DATE MYANSLAMBROU 2012/02/15	CHECKED BY DATE	TITLE 12MM 1X2, 1X3 RECPT. SEALED ASSEMBLY CABLE SEAL			
		ANGULAR ± 3 ° DRAFT WHERE APPLICABLE MUST REMAIN WITHIN DIMENSIONS		APPROVED BY DATE GGA 2012/12/13	MATERIAL NO. SEE BOM		DOCUMENT NO. SD-34900-2001		SHEET NO. 3 OF 6
		SIZE D THIS DRAWING CONTAINS INFORMATION THAT IS PROPRIETARY TO MOLEX INCORPORATED AND SHOULD NOT BE USED WITHOUT WRITTEN PERMISSION							molex



INDEPENDENT SECONDARY LOCK (ISL)
SHOWN IN THE PRE-STAGED POSITION



INDEPENDENT SECONDARY LOCK (ISL)
SHOWN IN THE FINAL-LOCK POSITION

1x3 RECEPTACLE SEALED ASSEMBLY	10.0	10.0	20.75
1x2 RECEPTACLE SEALED ASSEMBLY	8.0	8.0	18.75
CONFIGURATION	A	B	C
CHARTED DIMENSIONS			

ENTER DESCRIPTION EC NO: UAU2017-0205 DRAWN: PATE01 2016/09/07 CHKD: APPR: KIEGSKI 2016/09/13 REV:	QUALITY SYMBOLS	GENERAL TOLERANCES (UNLESS SPECIFIED)	DIMENSION STYLE	SCALE	DESIGN UNITS	THIRD ANGLE PROJECTION
	▽=0	mm INCH	MM ONLY	5:1	METRIC	☉
	▽=0	4 PLACES ± --- ± ---	DRAWN BY DATE			
	▽=0	3 PLACES ± --- ± ---	MYANSLAMBROU 2012/02/15			
	2 PLACES ± 0.10 ± ---	CHECKED BY DATE				12MM 1X2, 1X3 RECPT. SEALED ASSEMBLY CABLE SEAL molex
	1 PLACE ± 0.20 ± ---	APPROVED BY DATE				
	0 PLACE ± 0.50 ±	GGA 2012/12/13				MATERIAL NO. SEE BOM DOCUMENT NO. SD-34900-2001
	ANGULAR ± 3 °	DRAFT WHERE APPLICABLE MUST REMAIN WITHIN DIMENSIONS	SIZE D	THIS DRAWING CONTAINS INFORMATION THAT IS PROPRIETARY TO MOLEX INCORPORATED AND SHOULD NOT BE USED WITHOUT WRITTEN PERMISSION		SHEET NO. 4 OF 6

1X2 RECEPTACLE SEALED ASSEMBLY BOM SHEET 1

KEYING OPTION E, BLACK	34900-2123	-40 TO 155	4			CHB		E	TOOLED BUT NOT VALIDATED	1	2	3
KEYING OPTION C, BLACK	34900-2122	-40 TO 155	4			CHB		C	TOOLED BUT NOT VALIDATED	1	2	3
KEYING OPTION B, BLACK	34900-2121	-40 TO 155	4			CHB	B		SALEABLE	1	2	3
KEYING OPTION A, BLACK	34900-2120	-40 TO 155	4			CHB	A		SALEABLE	1	2	3
KEYING OPTION E, YELLOW	34900-2104	-40 TO 125	2			CHY		E	TOOLED BUT NOT VALIDATED	1	2	3
KEYING OPTION C, YELLOW	34900-2103	-40 TO 125	2			CHY		C	TOOLED BUT NOT VALIDATED	1	2	3
KEYING OPTION B, YELLOW	34900-2102	-40 TO 125	2			CHY	B		SALEABLE	1	2	3
KEYING OPTION A, YELLOW	34900-2101	-40 TO 125	2			CHY	A		SALEABLE	1	2	3
KEYING OPTION E, BLACK	34900-2023	-40 TO 125	2			CHB		E	OBSOLETE	1	2	3
KEYING OPTION C, BLACK	34900-2022	-40 TO 125	2			CHB		C	OBSOLETE	1	2	3
KEYING OPTION B, BLACK	34900-2021	-40 TO 125	2			CHB	B		OBSOLETE	1	2	3
KEYING OPTION A, BLACK	34900-2020	-40 TO 125	2			CHB	A		OBSOLETE	1	2	3
KEYING OPTION E, YELLOW	34900-2004	-40 TO 125	2			CHY		E	OBSOLETE	1	2	3
KEYING OPTION C, YELLOW	34900-2003	-40 TO 125	2			CHY		C	OBSOLETE	1	2	3
KEYING OPTION B, YELLOW	34900-2002	-40 TO 125	2			CHY	B		SALEABLE	1	2	3
KEYING OPTION A, YELLOW	34900-2001	-40 TO 125	2			CHY	A		SALEABLE	1	2	3
ASSEMBLY DESCRIPTION	PART NUMBER	OPERATING TEMPERATURE	VIBRATION CLASS PER GMW3191 DEC. 2007			A	B	C	E	STATUS	COMMENTS	DESIGNED TO MATE WITH DEVICE CONNECTION

DESCRIPTION	COLOR	MATERIAL	COMMENTS
RING SEAL	BURNT RED	INHERENTLY LUBRICATED SILICONE	
ISL	NATURAL	SPS/NYLON GF20	
CPA	RED	FBT GF30	
TERMINAL HOUSING KEYING OPTION E	STONE GRAY	SPS/NYLON GF20	
TERMINAL HOUSING KEYING OPTION C	DARK GRAY	SPS/NYLON GF20	
TERMINAL HOUSING KEYING OPTION B	LT. GRAY	SPS/NYLON GF20	
TERMINAL HOUSING KEYING OPTION A	BLACK	SPS/NYLON GF20	
CONNECTOR HOUSING	BLACK	SPS/NYLON GF20	UPDATED LATCH
CONNECTOR HOUSING	YELLOW	SPS/NYLON GF20	UPDATED LATCH
CONNECTOR HOUSING	BLACK	SPS/NYLON GF20	
CONNECTOR HOUSING	YELLOW	SPS/NYLON GF20	

DESCRIPTION	COLOR	MATERIAL	COMMENTS
BOM/APPLICABLE COMPONENTS TABLE			

ABBREVIATION	COMPONENT
CHY	CONNECTOR HOUSING YELLOW
CHB	CONNECTOR HOUSING BLACK
A	TERMINAL HOUSING KEY A
B	TERMINAL HOUSING KEY B
C	TERMINAL HOUSING KEY C
E	TERMINAL HOUSING KEY E
CPA	CPA
ISL	ISL
R	RING SEAL
1	USCAR INTERFACE 120-5-002-1-Z01 SEE NOTE 1F FOR WEBSITE
2	MOLEX INLINE BLADE CONNECTOR E-34899-2001
3	USCAR INTERFACE 120-5-002-1-Z02 SEE NOTE 1F FOR WEBSITE

ENTER DESCRIPTION EC NO: UAU2017-0205 DRAWN: PATE01 2016/09/07 CHKD: APPR: K0EKO5K1 2016/09/13 REV	QUALITY SYMBOLS ∇=0 ∇=0 ∇=0	GENERAL TOLERANCES (UNLESS SPECIFIED): 4 PLACES ± --- INCH 3 PLACES ± --- INCH 2 PLACES ± 0.10 1 PLACE ± 0.20 0 PLACE ± 0.50 ANGULAR ± 3 ° DRAFT WHERE APPLICABLE MUST REMAIN WITHIN DIMENSIONS	DIMENSION STYLE MM ONLY SCALE 2:1 DESIGN UNITS METRIC THIRD ANGLE PROJECTION	DRAWN BY DATE MYANSLAMBROU 2012/02/15 CHECKED BY DATE APPROVED BY DATE GGA 2012/12/13 MATERIAL NO. 999999999 DOCUMENT NO. SD-34900-2001	TITLE 12MM 1X2. 1X3 RECPT. SEALED ASSEMBLY CABLE SEAL molex SHEET NO. 5 OF 6
	THIS DRAWING CONTAINS INFORMATION THAT IS PROPRIETARY TO MOLEX INCORPORATED AND SHOULD NOT BE USED WITHOUT WRITTEN PERMISSION				

1X3 RECEPTACLE SEALED ASSEMBLY BOM SHEET 1

ASSEMBLY DESCRIPTION	PART NUMBER	OPERATING TEMPERATURE	VIBRATION CLASS PER GMW3191 DEC. 2007	A	B	C	D	A	B	C	D	STATUS	COMMENTS	DESIGNED TO MATE WITH DEVICE CONNECTION
KEYING OPTION D, STONE GRAY	34900-3127	-40 TO 155	4					CHB				D	SALEABLE	1 2 3
KEYING OPTION C, DARK GRAY	34900-3126	-40 TO 155	4					CHB				C	OK TO TOOL	1 2 3
KEYING OPTION B, LIGHT GRAY	34900-3125	-40 TO 155	4					CHB			B		OK TO TOOL	1 2 3
KEYING OPTION A, BLACK	34900-3124	-40 TO 155	4					CHB		A			SALEABLE	1 2 3
KEYING OPTION D, STONE GRAY	34900-3123	-40 TO 125	2					CHB		D			TOOLED BUT NOT VALIDATED	1 2 3
KEYING OPTION C, DARK GRAY	34900-3122	-40 TO 125	2					CHB		C			TOOLED BUT NOT VALIDATED	1 2 3
KEYING OPTION B, LIGHT GRAY	34900-3121	-40 TO 125	2					CHB	B				SALEABLE	1 2 3
KEYING OPTION A, BLACK	34900-3120	-40 TO 125	2					CHB	A				SALEABLE	1 2 3
KEYING OPTION D, YELLOW	34900-3104	-40 TO 125	2				CHY			D			TOOLED BUT NOT VALIDATED	1 2 3
KEYING OPTION C, YELLOW	34900-3103	-40 TO 125	2				CHY			C			TOOLED BUT NOT VALIDATED	1 2 3
KEYING OPTION B, YELLOW	34900-3102	-40 TO 125	2				CHY		B				SALEABLE	1 2 3
KEYING OPTION A, YELLOW	34900-3101	-40 TO 125	2				CHY		A				SALEABLE	1 2 3
KEYING OPTION D, STONE GRAY	34900-3023	-40 TO 125	2					CHB		D			OBSOLETE	1 2 3
KEYING OPTION C, DARK GRAY	34900-3022	-40 TO 125	2					CHB		C			OBSOLETE	1 2 3
KEYING OPTION B, LIGHT GRAY	34900-3021	-40 TO 125	2					CHB		B			OBSOLETE	1 2 3
KEYING OPTION A, BLACK	34900-3020	-40 TO 125	2					CHB		A			OBSOLETE	1 2 3
KEYING OPTION D, YELLOW	34900-3004	-40 TO 125	2				CHY			D			OBSOLETE	1 2 3
KEYING OPTION C, YELLOW	34900-3003	-40 TO 125	2				CHY			C			OBSOLETE	1 2 3
KEYING OPTION B, YELLOW	34900-3002	-40 TO 125	2				CHY			B			OBSOLETE	1 2 3
KEYING OPTION A, YELLOW	34900-3001	-40 TO 125	2				CHY			A			OBSOLETE	1 2 3

ABBREVIATION	COMPONENT
CHY	CONNECTOR HOUSING YELLOW
CHB	CONNECTOR HOUSING BLACK
A	TERMINAL HOUSING KEY A
B	TERMINAL HOUSING KEY B
C	TERMINAL HOUSING KEY C
D	TERMINAL HOUSING KEY D
CPA	CPA
ISL	ISL
R	RING SEAL
1	USCAR INTERFACE 120-S-003-1-Z01 SEE NOTE 1f FOR WEBSITE
2	MOLEX INLINE BLADE CONNECTOR E-34899-2001
3	USCAR INTERFACE 120-S-003-1-Z02 SEE NOTE 1f FOR WEBSITE

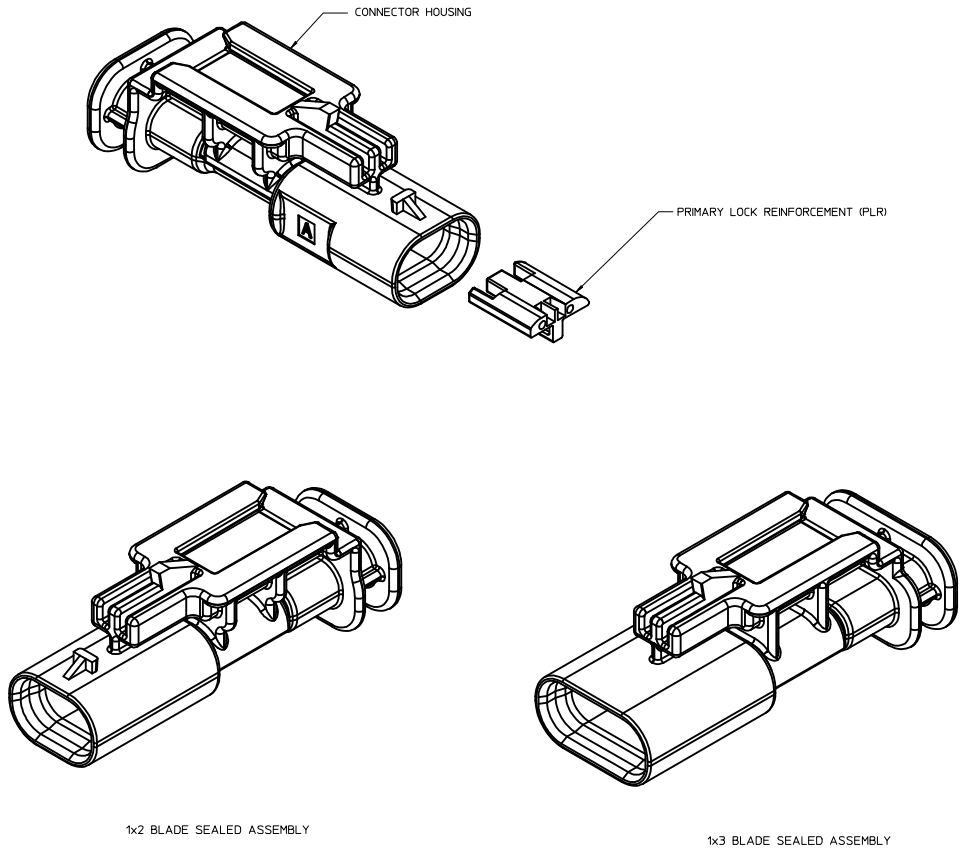
RING SEAL	LIGHT BLUE	INHERENTLY LUBRICATED SILICONE	
ISL	NATURAL	SPS/NYLON GF20	
CPA	RED	PBT GF30	
TERMINAL HOUSING KEYING OPTION D, V4	STONE GRAY	SPS/NYLON GF20	
TERMINAL HOUSING KEYING OPTION C, V4	DARK GRAY	SPS/NYLON GF20	
TERMINAL HOUSING KEYING OPTION B, V4	LT. GRAY	SPS/NYLON GF20	
TERMINAL HOUSING KEYING OPTION A, V4	BLACK	SPS/NYLON GF20	
TERMINAL HOUSING KEYING OPTION D	STONE GRAY	SPS/NYLON GF20	
TERMINAL HOUSING KEYING OPTION C	DARK GRAY	SPS/NYLON GF20	
TERMINAL HOUSING KEYING OPTION B	LT. GRAY	SPS/NYLON GF20	
TERMINAL HOUSING KEYING OPTION A	BLACK	SPS/NYLON GF20	
CONNECTOR HOUSING	BLACK	SPS/NYLON GF20	UPDATED LATCH
CONNECTOR HOUSING	YELLOW	SPS/NYLON GF20	UPDATED LATCH
CONNECTOR HOUSING	BLACK	SPS/NYLON GF20	
CONNECTOR HOUSING	YELLOW	SPS/NYLON GF20	
DESCRIPTION	COLOR	MATERIAL	COMMENTS

BOM/APPLICABLE COMPONENTS TABLE

ENTER DESCRIPTION IEC NO. UAU2017-0205 DRAWN/PAT01 2016/09/07 CHYD: APPR:KOEKSKL 2016/09/13 REV DESCRIPTION	QUALITY SYMBOLS ∇=0 ∇=0 ∇=0	GENERAL TOLERANCES (UNLESS SPECIFIED) mm INCH 4 PLACES ± --- ± --- 3 PLACES ± --- ± --- 2 PLACES ± 0.10 ± --- 1 PLACE ± 0.20 ± --- 0 PLACE ± 0.50 ± --- ANGULAR ± 3 ° DRAFT WHERE APPLICABLE MUST REMAIN WITHIN DIMENSIONS	DIMENSION STYLE MM ONLY DRAWN BY DATE MYANSLAMBROU 2012/02/15 CHECKED BY DATE	SCALE 5:1 DESIGN UNITS METRIC THIRD ANGLE PROJECTION	TITLE 12MM 1X2, 1X3 RECP. SEALED ASSEMBLY CABLE SEAL molex MATERIAL NO. 999999999 DOCUMENT NO. SD-34900-2001	SHEET NO. 6 OF 6
	THIS DRAWING CONTAINS INFORMATION THAT IS PROPRIETARY TO MOLEX INCORPORATED AND SHOULD NOT BE USED WITHOUT WRITTEN PERMISSION					

TABLE OF CONTENTS

SHEET NO.	SHEET DESCRIPTION
1	NOTES
2	1x2 BLADE SEALED ASSEMBLY KEYING CONFIGURATIONS
3	1x3 BLADE SEALED ASSEMBLY KEYING CONFIGURATIONS
4	CLIP-SLOT CONFIGURATIONS
5	BLADE SEALED ASSEMBLY
6	CONNECTION SYSTEM PACKAGING
8	WIRE DRESS COVER INTERFACE OPTIONS
8	1x2 BLADE SEALED ASSEMBLY BOM INTERFACE OPTION 1
9	1x2 BLADE SEALED ASSEMBLY BOM INTERFACE OPTION 2
8	1x3 BLADE SEALED ASSEMBLY BOM INTERFACE OPTION 1
9	1x3 BLADE SEALED ASSEMBLY BOM INTERFACE OPTION 2



NOTES: VALID UNLESS OTHERWISE SPECIFIED

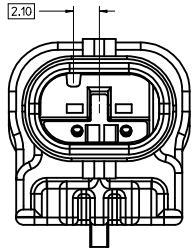
1. GENERAL:
 - a. APPLICATION SPECIFICATION SEE: AS-34900-0001
CONTAINS: PRODUCT INTRODUCTION, PRODUCT SUMMARY, CONNECTOR ASSEMBLY, PACKAGING INFORMATION, CONNECTOR MATING, SERVICE INSTRUCTIONS, ELECTRICAL CONTINUITY CHECKING, CRIMPING, AND TROUBLESHOOTING.
 - b. PRODUCT SPECIFICATION SEE: PS-34900-0001
CONTAINS: PRODUCT INTRODUCTION, PRODUCT SUMMARY, RATINGS (CURRENT, TEMPERATURE, SEALING, AND FLAMMABILITY), AND PRODUCT VALIDATION.
 - c. PACKAGING SPECIFICATION PER MOLEX DRAWING: PK-31301-898
 - d. PARTS MUST BE IN COMPLIANCE TO MOLEX CHEMICAL SUBSTANCES FOR PRODUCTS AND PACKAGING SPECIFICATION: ES-40000-5016
 - e. DATA MUST BE SUBMITTED UNDER THE MOLEX PART NUMBER TO IMDS (COMPANY ID#13255)
2. DESIGN - MATERIALS:
 - a. SEE BOM TABLE
3. DESIGN - GEOMETRY:
 - a. THIS IS A 100% CAD GENERATED PART. THE CAD MATHEMATICAL DATA IS THE MASTER FOR THIS PART. FOR DIMENSIONAL OR ANY INFORMATION NOT SHOWN ON THIS DRAWING, ANALYZE THE CAD MODEL.
 - b. GEOMETRIC DIMENSIONS AND TOLERANCES PER ASME Y14.5M - 1994
 - c. EDGES AND UNDIMENSIONED DETAILS PER ISO13715
 - d. CORNERS SHOWN AS SHARP TO BE R 0.2 MAX.
 - e. LETTERING SHALL BE 0.15 MAX RAISED IN 0.25 MAX RECESS PAD. THIS INCLUDES RECYCLING CODE, CAVITY ID, VENDOR IDENTIFICATION.
 - f. VISUAL DEFECTS SHALL MEET COSMETIC STANDARD PS-45499-002 (Class B)
- g. LASER MARKING:
 1. PART NUMBER
 2. DAY OF THE YEAR
 3. SHIFT
 4. YEAR

INSPECTION NUMBER LOG
LAST NUMBER USED:
ADDED:
REMOVED:

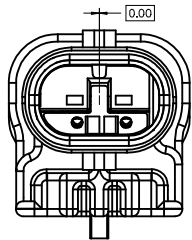
REV	DESCRIPTION
A14	CORRECTED CHARTED DIMENSION 3 FOR 1x3 11MM CLIP-SLOT
A13	1x3 KEY A&B SALEABLE (NON 40G)
A12	1x2 KEYS A&B W/ WDC SALEABLE
A11	CORRECTED REVISION LOG
A10	1x2,1x3 WIRE DRESS FEATURES OK TO TOOL
A9	1x2,1x3 PART # STATUS UPDATED
A8	1x2 40G CLIP-SLOT OK TO TOOL
A7	1x2,1x3 PART # UPDATED TO "TOOLED BUT NOT VALIDATED"
A6	ADDED 40G CLIP-SLOT PART NUMBERS
A5	BOM CORRECTIONS AND UPDATES
A4	BOM CORRECTIONS AND UPDATES
A3	1x2, 1x3 NON-SIR PART# OK TO TOOL
A2	ADDED 1x3 11mm CLIP-SLOT PART #
A	ADDED BLACK PART# AND MINOR BOM UPDATES
6	ADDED CLIP SLOT CONFIGURATIONS
5	1x3 BOM UPDATED
4	1x3 INLINE ASSY VIEWS ADDED
3	MINOR BOM CORRECTIONS
2	UPDATED PACKAGING DIMENSIONS
1	INITIAL RELEASE

1x3 VIEWS ADDED EC NO: UAU2016-1535 DRAWING: ANBR012016/04/15 CHKD: APPR: IKOSHY 2016/04/15	QUALITY SYMBOLS	GENERAL TOLERANCES (UNLESS SPECIFIED):	DIMENSION STYLE	SCALE	DESIGN UNITS	THIRD ANGLE PROJECTION
	▽=0	4 PLACES ±--- ±---	MM ONLY	4:1	METRIC	☉
	▽=0	3 PLACES ±--- ±---	mm INCH	DRAWN BY	DATE	TITLE
	▽=0	2 PLACES ±0.10 ±---	SKRAJENDRANA 2013/11/06	CHECKED BY	DATE	12MM 1X2, 1X3 BLADE SEALED ASSEMBLY CABLE SEAL
	1 PLACE ±0.20 ±---	DRAFT WHERE APPLICABLE MUST REMAIN WITHIN DIMENSIONS	APPROVED BY	DATE	molex DOCUMENT NO. SD-34899-001 SHEET NO. 1 OF 11	
	0 PLACE ±0.50 ±		MATERIAL NO.	DATE	THIS DRAWING CONTAINS INFORMATION THAT IS PROPRIETARY TO MOLEX INCORPORATED AND SHOULD NOT BE USED WITHOUT WRITTEN PERMISSION	

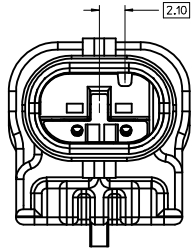
1x2 BLADE SEALED ASSEMBLY KEYING CONFIGURATIONS. FOR PART NUMBERS REFER TO BOM SHEET.



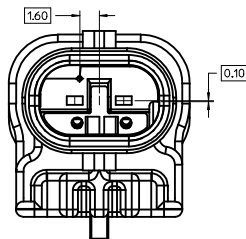
KEYING OPTION A



KEYING OPTION B



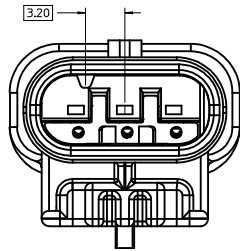
KEYING OPTION C



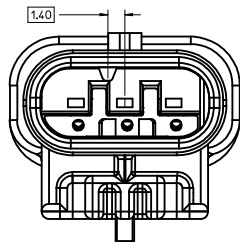
KEYING OPTION E

1x3 VIEWS ADDED EC NO: UAU2016-1535 DRAWN: VANSIAMBROU/2016/04/15 CHKD: APPR: VKOSHY 2016/04/15 REV:	QUALITY SYMBOLS	GENERAL TOLERANCES (UNLESS SPECIFIED)	DIMENSION STYLE	SCALE	DESIGN UNITS	THIRD ANGLE PROJECTION	
	▽=0	mm INCH	MM ONLY	5:1	METRIC	☉	
	▽=0	4 PLACES ± --- ± ---	DRAWN BY	DATE	TITLE		
	▽=0	3 PLACES ± 0.10 ± ---	SKRAJENDRANA	2013/11/06	12MM 1X2, 1X3 BLADE SEALED ASSEMBLY CABLE SEAL		
	2 PLACES ± 0.20 ± ---	CHECKED BY	DATE				
	1 PLACE ± 0.50 ±	APPROVED BY	DATE				
	0 PLACE ± 0.50 ±	MATERIAL NO.					
	ANGULAR ± 3 °	SEE BOM					
	DRAFT WHERE APPLICABLE MUST REMAIN WITHIN DIMENSIONS	SIZE					
		D					
		THIS DRAWING CONTAINS INFORMATION THAT IS PROPRIETARY TO MOLEX INCORPORATED AND SHOULD NOT BE USED WITHOUT WRITTEN PERMISSION					
		DOCUMENT NO.					
		SD-34899-2001					
		SHEET NO.					
		2 OF 11					

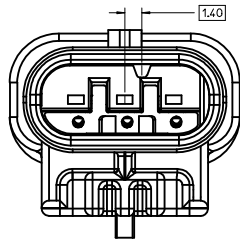
1x3 BLADE SEALED ASSEMBLY KEYING CONFIGURATIONS. FOR PART NUMBERS REFER TO BOM SHEET.



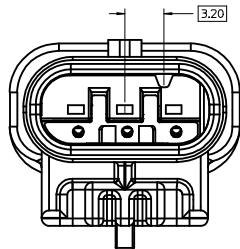
KEYING OPTION A



KEYING OPTION B



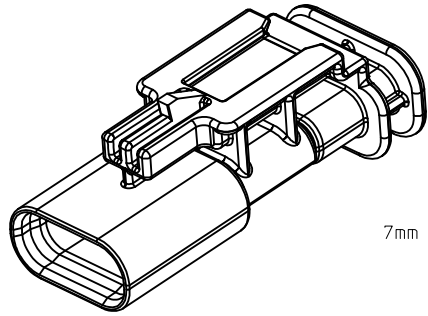
KEYING OPTION C



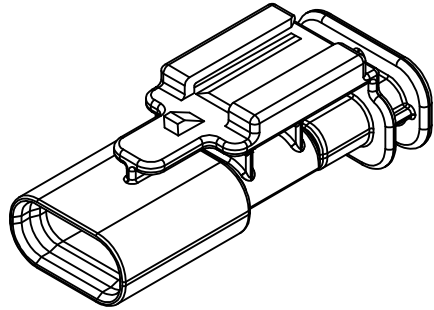
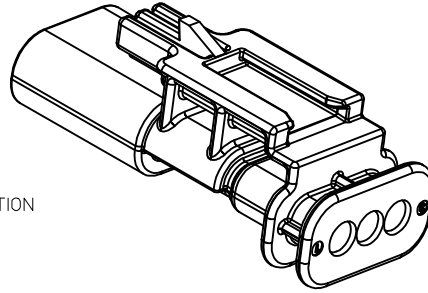
KEYING OPTION D

1x3 VIEWS ADDED DEC NO: UAU2016-1535 DRAWN: VANSIAMBROU 2016/04/15 CHKD: APPR: VIKOSHY 2016/04/15 REY:	QUALITY SYMBOLS	GENERAL TOLERANCES (UNLESS SPECIFIED)	DIMENSION STYLE MM ONLY	SCALE 5:1	DESIGN UNITS METRIC	THIRD ANGLE PROJECTION
	▽=0	4 PLACES ± mm ± INCH	DRAWN BY SKRA JENDRANA 2013/11/06	DATE	TITLE 12MM 1X2, 1X3 BLADE SEALED ASSEMBLY CABLE SEAL	
	▽=0	3 PLACES ± 0.10 ± 0.004	CHECKED BY	DATE		
	▽=0	2 PLACES ± 0.20 ± 0.008	APPROVED BY	DATE		MATERIAL NO. SEE BOM
	1 PLACE ± 0.50 ± 0.020	ANGULAR ± 3 °	DRAFT WHERE APPLICABLE MUST REMAIN WITHIN DIMENSIONS		DOCUMENT NO. SD-34899-2001	SHEET NO. 3 OF 11
SIZE D		THIS DRAWING CONTAINS INFORMATION THAT IS PROPRIETARY TO MOLEX INCORPORATED AND SHOULD NOT BE USED WITHOUT WRITTEN PERMISSION				

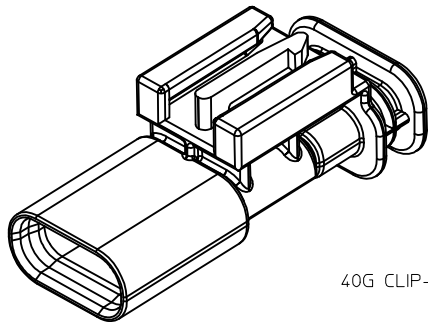
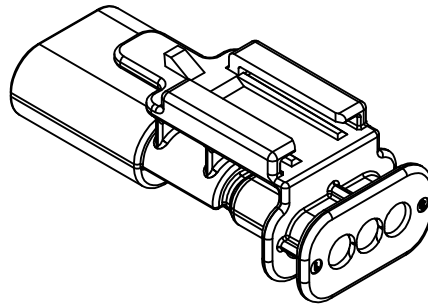
CLIP-SLOT CONFIGURATIONS. FOR PART NUMBERS REFER TO BOM SHEET.



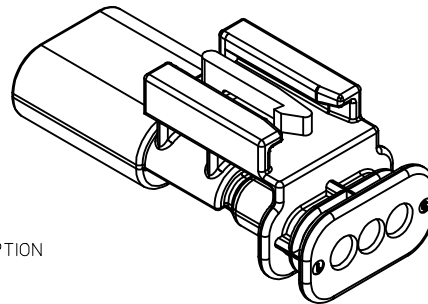
7mm CLIP-SLOT OPTION



11mm CLIP-SLOT OPTION

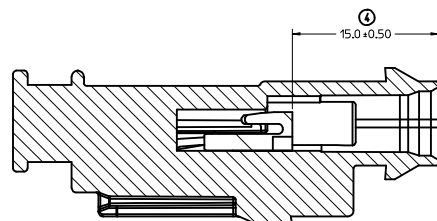
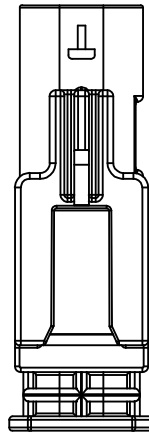
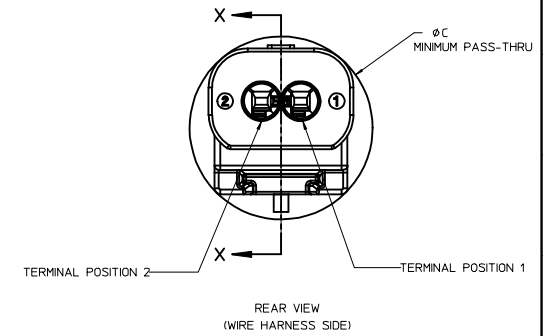
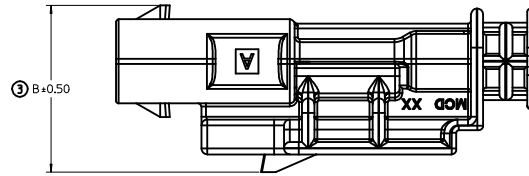
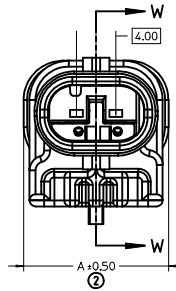
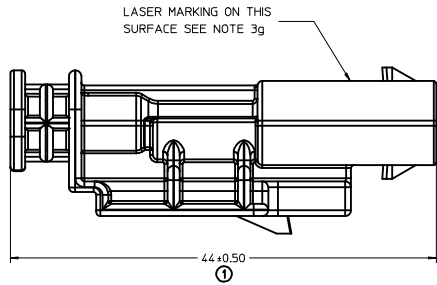


40G CLIP-SLOT OPTION



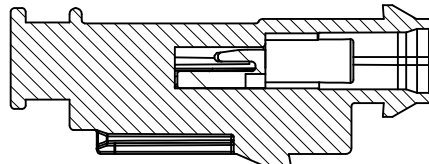
ENTER DESCRIPTION EEC NO: UAU2016-1535 DRAWN/ANSI/MBROU/2016/04/15 CHKD: APPR:VKOSHY 2016/04/15 REV:	QUALITY SYMBOLS	GENERAL TOLERANCES (UNLESS SPECIFIED)	DIMENSION STYLE	SCALE	DESIGN UNITS	THIRD ANGLE PROJECTION
	▽=0	mm INCH	MM ONLY	4:1	METRIC	☉
	▽=0	4 PLACES ± --- ± ---	DRAWN BY	DATE	TITLE	
	▽=0	3 PLACES ± --- ± ---	SKRA JENDRANA 2013/11/06	DATE	12MM 1X2, 1X3 BLADE SEALED ASSEMBLY CABLE SEAL	
	2 PLACES ± 0.10 ± ---	1 PLACE ± 0.20 ± ---	0 PLACE ± 0.50 ±	APPROVED BY	DATE	
	ANGULAR ± 3 °		MATERIAL NO.	SEE BOM	DOCUMENT NO.	SHEET NO.
	DRAFT WHERE APPLICABLE MUST REMAIN WITHIN DIMENSIONS		SIZE	D	SD-34899-2001	4 OF 11
	THIS DRAWING CONTAINS INFORMATION THAT IS PROPRIETARY TO MOLEX INCORPORATED AND SHOULD NOT BE USED WITHOUT WRITTEN PERMISSION					

BLADE SEALED ASSEMBLY



PRIMARY LOCK REINFORCEMENT (PLR) SHOWN IN THE PRE-STAGED POSITION

SECTION W-W



PRIMARY LOCK REINFORCEMENT (PLR) SHOWN IN THE FINAL-LOCK POSITION

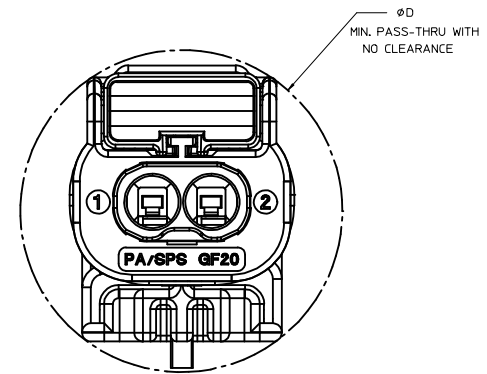
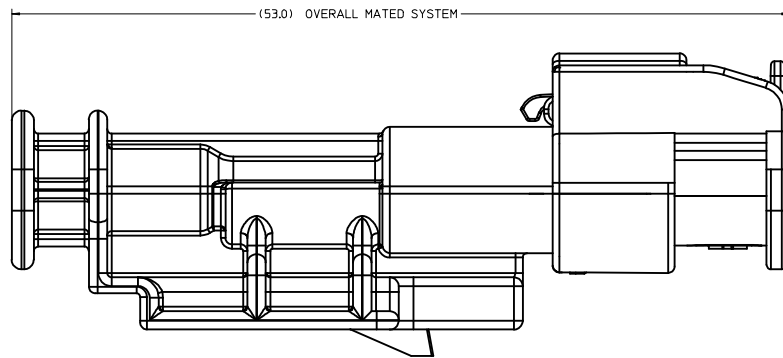
SECTION X-X

1x3 BLADE SEALED ASSEMBLY, 40G CLIP SLOT	19	16.75	21.75
1x3 BLADE SEALED ASSEMBLY, 11mm CLIP SLOT	19	14.6	20.75
1x3 BLADE SEALED ASSEMBLY, 7mm CLIP SLOT	19	17	20.5
1x2 BLADE SEALED ASSEMBLY, 40G CLIP SLOT	15	16.75	20.25
1x2 BLADE SEALED ASSEMBLY, 11mm CLIP SLOT	15	15.5	19
1x2 BLADE SEALED ASSEMBLY, 7mm CLIP SLOT	15	17	18.75
CONFIGURATION	A	B	C

CHARTED DIMENSIONS

1x3 VIEWS ADDED EC NO. UAI/2016-1535 DRAWING/ANSLAMBROU/2016/04/15 CHKD: APPR:VKOSHY REV:	QUALITY SYMBOLS ∇=0 ∇=0 ∇=0	GENERAL TOLERANCES (UNLESS SPECIFIED) mm INCH 4 PLACES ± --- ± --- 3 PLACES ± --- ± --- 2 PLACES ± 0.10 ± --- 1 PLACE ± 0.20 ± --- 0 PLACE ± 0.50 ±	DIMENSION STYLE MM ONLY DRAWN BY SKRAJENDRANA DATE 2013/11/06 CHECKED BY DATE APPROVED BY DATE	SCALE 4:1 DESIGN UNITS METRIC THIRD ANGLE PROJECTION	TITLE 12MM 1X2, 1X3 BLADE SEALED ASSEMBLY CABLE SEAL molex	MATERIAL NO. SEE BOM DOCUMENT NO. SD-34899-2001 SHEET NO. 5 OF 11
	DRAFT WHERE APPLICABLE MUST REMAIN WITHIN DIMENSIONS SIZE D	THIS DRAWING CONTAINS INFORMATION THAT IS PROPRIETARY TO MOLEX INCORPORATED AND SHOULD NOT BE USED WITHOUT WRITTEN PERMISSION				

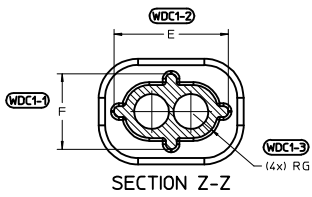
CONNECTION SYSTEM PACKAGING



1x3 RECEPTACLE MATED TO 1x3 BLADE, 40 CLIP SLOT	TBD
1x3 RECEPTACLE MATED TO 1x3 BLADE, 11mm CLIP SLOT	24.0
1x3 RECEPTACLE MATED TO 1x3 BLADE, 7mm CLIP SLOT	23.0
1x2 RECEPTACLE MATED TO 1x2 BLADE, 40G CLIP SLOT	23.0
1x2 RECEPTACLE MATED TO 1x2 BLADE, 11mm CLIP SLOT	23.0
1x2 RECEPTACLE MATED TO 1x2 BLADE, 7mm CLIP SLOT	23.0
1.2mm CONNECTION SYSTEM CONFIGURATION	D

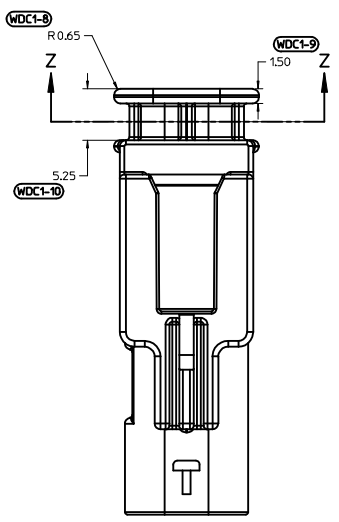
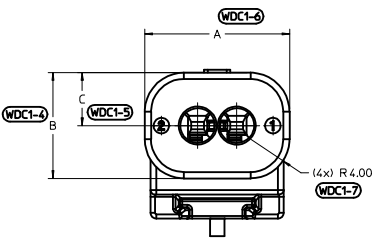
CHARTED DIMENSIONS

ENTER DESCRIPTION ELEC NO: UAU2016-1535 DRAWN/ANSI/AMBR01/2016/04/15 CHKD: APPR:VKOSHY 2016/04/15 REV:	QUALITY SYMBOLS	GENERAL TOLERANCES (UNLESS SPECIFIED)	DIMENSION STYLE	SCALE	DESIGN UNITS	THIRD ANGLE PROJECTION
	▽=0	mm INCH	MM ONLY	6:1	METRIC	☉
	▽=0	4 PLACES ± --- ± --- 3 PLACES ± --- ± --- 2 PLACES ± 0.10 ± --- 1 PLACE ± 0.20 ± --- 0 PLACE ± 0.50 ±	DRAWN BY DATE SKRA JENDRANA 2013/11/06	CHECKED BY DATE	TITLE 12MM 1X2, 1X3 BLADE SEALED ASSEMBLY CABLE SEAL	
	▽=0	ANGULAR ± 3 ° DRAFT WHERE APPLICABLE MUST REMAIN WITHIN DIMENSIONS	APPROVED BY DATE	MATERIAL NO. SEE BOM	DOCUMENT NO. SD-34899-2001	SHEET NO. 6 OF 11
A14	SIZE D	THIS DRAWING CONTAINS INFORMATION THAT IS PROPRIETARY TO MOLEX INCORPORATED AND SHOULD NOT BE USED WITHOUT WRITTEN PERMISSION				

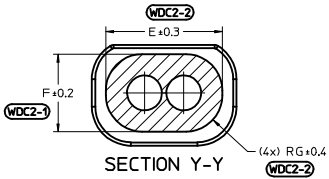


3 CIRCUIT	18.8	10.8	5.4	15.7	7.7	2.45
2 CIRCUIT	14.8	10.8	5.4	11.7	7.7	2.45
CONFIGURATION	A	B	C	E	F	G

CHARTED DIMENSIONS

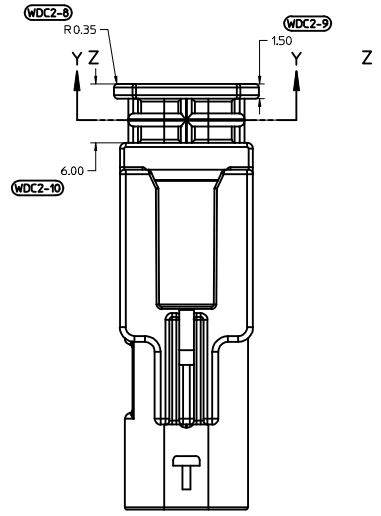
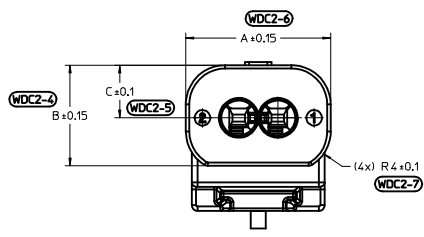


WIRE DRESS COVER
INTERFACE OPTION 1
WIRE DRESS COVERS
NOT AVAILABLE



3 CIRCUIT	18.8	10.8	5.4	15.9	7.9	3.7
2 CIRCUIT	14.8	10.3	5.4	11.9	7.9	3.7
CONFIGURATION	A	B	C	E	F	G

CHARTED DIMENSIONS



WIRE DRESS COVER
INTERFACE OPTION 2
BASED ON HIRSCHMANN INTERFACE
DRAWING 808-012-xxx REV B5

ENTER DESCRIPTION IEC NO. UAU2016-1535 DRAWING NO. AMBROU 2016/04/15 CHKD: APPR: VOSHY 2016/04/15 REV: A14	QUALITY SYMBOLS	GENERAL TOLERANCES (UNLESS SPECIFIED)	DIMENSION STYLE	SCALE	DESIGN UNITS	THIRD ANGLE PROJECTION	
	▽=0	mm INCH	MM ONLY	4:1	METRIC	☉	
	▽=0	4 PLACES ± --- ± ---	DRAWN BY SKRA JENDRANA 2013/11/06	DATE	TITLE	12MM 1X2, 1X3 BLADE SEALED ASSEMBLY CABLE SEAL	
	▽=0	3 PLACES ± --- ± ---	CHECKED BY	DATE			
▽=0	2 PLACES ± 0.10 ± ---	APPROVED BY	DATE	MATERIAL NO. SEE TABLE			
		1 PLACE ± 0.20 ± ---	THIS DRAWING CONTAINS INFORMATION THAT IS PROPRIETARY TO MOLEX INCORPORATED AND SHOULD NOT BE USED WITHOUT WRITTEN PERMISSION				
		0 PLACE ± 0.50 ± ---					
		ANGULAR ± 3 °					
		DRAFT WHERE APPLICABLE MUST REMAIN WITHIN DIMENSIONS					

1x2 BLADE SEALED ASSEMBLY BOM
 FOR WIRE DRESS COVER INTERFACE 1
 REFER WIRE DRESS COVER INTERFACE SHEET
 FOR DETAILS

KEYING OPTION	DESCRIPTION	QTY	A	B	C	E	PRODUCTION TOOL STATUS	COMMENTS
KEYING OPTION E, 11mm CLIP SLOT, STONE GRAY	34899-2043	1					E	CONCEPT
KEYING OPTION C, 11mm CLIP SLOT, DARK GRAY	34899-2042	1					C	CONCEPT
KEYING OPTION B, 11mm CLIP SLOT, LIGHT GRAY	34899-2041	1					B	CONCEPT
KEYING OPTION A, 11mm CLIP SLOT, BLACK	34899-2040	1					A	CONCEPT
KEYING OPTION E, 11mm CLIP SLOT, YELLOW	34899-2033	1					E	CONCEPT
KEYING OPTION C, 11mm CLIP SLOT, YELLOW	34899-2032	1					C	CONCEPT
KEYING OPTION B, 11mm CLIP SLOT, YELLOW	34899-2031	1					B	CONCEPT
KEYING OPTION A, 11mm CLIP SLOT, YELLOW	34899-2030	1					A	CONCEPT
KEYING OPTION E, 7mm CLIP SLOT, STONE GRAY	34899-2023	1					E	TOOLED BUT NOT VALIDATED
KEYING OPTION C, 7mm CLIP SLOT, DARK GRAY	34899-2022	1					C	TOOLED BUT NOT VALIDATED
KEYING OPTION B, 7mm CLIP SLOT, LIGHT GRAY	34899-2021	1					B	SALEABLE
KEYING OPTION A, 7mm CLIP SLOT, BLACK	34899-2020	1					A	SALEABLE
KEYING OPTION E, 7mm CLIP SLOT, YELLOW	34899-2013	1					E	TOOLED BUT NOT VALIDATED
KEYING OPTION C, 7mm CLIP SLOT, YELLOW	34899-2012	1					C	TOOLED BUT NOT VALIDATED
KEYING OPTION B, 7mm CLIP SLOT, YELLOW	34899-2011	1					B	SALEABLE
KEYING OPTION A, 7mm CLIP SLOT, YELLOW	34899-2010	1					A	SALEABLE
ASSEMBLY DESCRIPTION								WIRE DRESS COVER INTERFACE OPTION
								PRODUCTION TOOL STATUS
								COMMENTS

PLR	NATURAL	SPS/NYLON GF20
1x2 CONNECTOR HOUSING, KEYING OPTION E 11mm CLIP SLOT	STONE GRAY	SPS/NYLON GF20
1x2 CONNECTOR HOUSING, KEYING OPTION C 11mm CLIP SLOT	DARK GRAY	SPS/NYLON GF20
1x2 CONNECTOR HOUSING, KEYING OPTION B 11mm CLIP SLOT	LIGHT GRAY	SPS/NYLON GF20
1x2 CONNECTOR HOUSING, KEYING OPTION A 11mm CLIP SLOT	BLACK	SPS/NYLON GF20
1x2 CONNECTOR HOUSING, KEYING OPTION E 11mm CLIP SLOT	YELLOW	SPS/NYLON GF20
1x2 CONNECTOR HOUSING, KEYING OPTION C 11mm CLIP SLOT	YELLOW	SPS/NYLON GF20
1x2 CONNECTOR HOUSING, KEYING OPTION B 11mm CLIP SLOT	YELLOW	SPS/NYLON GF20
1x2 CONNECTOR HOUSING, KEYING OPTION A 11mm CLIP SLOT	YELLOW	SPS/NYLON GF20
1x2 CONNECTOR HOUSING, KEYING OPTION E 7mm CLIP SLOT	STONE GRAY	SPS/NYLON GF20
1x2 CONNECTOR HOUSING, KEYING OPTION C 7mm CLIP SLOT	DARK GRAY	SPS/NYLON GF20
1x2 CONNECTOR HOUSING, KEYING OPTION B 7mm CLIP SLOT	LIGHT GRAY	SPS/NYLON GF20
1x2 CONNECTOR HOUSING, KEYING OPTION A 7mm CLIP SLOT	BLACK	SPS/NYLON GF20
1x2 CONNECTOR HOUSING, KEYING OPTION E 7mm CLIP SLOT	YELLOW	SPS/NYLON GF20
1x2 CONNECTOR HOUSING, KEYING OPTION C 7mm CLIP SLOT	YELLOW	SPS/NYLON GF20
1x2 CONNECTOR HOUSING, KEYING OPTION B 7mm CLIP SLOT	YELLOW	SPS/NYLON GF20
1x2 CONNECTOR HOUSING, KEYING OPTION A 7mm CLIP SLOT	YELLOW	SPS/NYLON GF20

DESCRIPTION	COLOR	MATERIAL
BOM/APPLICABLE COMPONENTS TABLE		

ABBREVIATION	COMPONENT
A	CONNECTOR HOUSING KEYING OPTION A
B	CONNECTOR HOUSING KEYING OPTION B
C	CONNECTOR HOUSING KEYING OPTION C
E	CONNECTOR HOUSING KEYING OPTION E

ENTER DESCRIPTION ELEC NO. UAU2016-1535 DRAWING NO. AMB0012016/04/15 CHKD: APPR: VKOSHY 2016/04/15 REV:	QUALITY SYMBOLS ∇=0 ∇=0 ∇=0	GENERAL TOLERANCES (UNLESS SPECIFIED) mm INCH 4 PLACES ± --- ± --- 3 PLACES ± --- ± --- 2 PLACES ± 0.10 ± --- 1 PLACE ± 0.20 ± --- 0 PLACE ± 0.50 ± --- ANGULAR ± 3 ° DRAFT WHERE APPLICABLE MUST REMAIN WITHIN DIMENSIONS	DIMENSION STYLE MM ONLY DRAWN BY SKRAJENDRANA 2013/11/06 CHECKED BY DATE APPROVED BY DATE	SCALE 2:1 DESIGN UNITS METRIC THIRD ANGLE PROJECTION	TITLE 12MM 1X2, 1X3 BLADE SEALED ASSEMBLY CABLE SEAL molex	MATERIAL NO. SEE BOM DOCUMENT NO. SD-34899-2001	SHEET NO. 8 OF 11

1x2 BLADE SEALED ASSEMBLY BOM
 FOR WIRE DRESS COVER INTERFACE 2
 REFER WIRE DRESS COVER INTERFACE SHEET
 FOR DETAILS

KEYING OPTION A, 40G CLIP SLOT, BLACK	34899-2060	2										A	OK TO TOOL	
KEYING OPTION A, 40G CLIP SLOT, YELLOW	34899-2050	2										A	OK TO TOOL	
KEYING OPTION E, 7mm CLIP SLOT, STONE GRAY	34899-2083	2										E	OK TO TOOL	
KEYING OPTION C, 7mm CLIP SLOT, DARK GRAY	34899-2082	2										C	OK TO TOOL	
KEYING OPTION B, 7mm CLIP SLOT, LIGHT GRAY	34899-2081	2										B	SALEABLE	
KEYING OPTION A, 7mm CLIP SLOT, BLACK	34899-2080	2										A	SALEABLE	
KEYING OPTION E, 7mm CLIP SLOT, YELLOW	34899-2073	2										E	OK TO TOOL	
KEYING OPTION C, 7mm CLIP SLOT, YELLOW	34899-2072	2										C	OK TO TOOL	
KEYING OPTION B, 7mm CLIP SLOT, YELLOW	34899-2071	2										B	SALEABLE	
KEYING OPTION A, 7mm CLIP SLOT, YELLOW	34899-2070	2										A	SALEABLE	
ASSEMBLY DESCRIPTION	ASSEMBLY PART NUMBER	WIRE DRESS COVER INTERFACE OPTION											PRODUCTION TOOL STATUS	COMMENTS

PLR	NATURAL	SPS/NYLON GF20
1x2 CONNECTOR HOUSING, KEYING OPTION A 40G CLIP SLOT	BLACK	SPS/NYLON GF20
1x2 CONNECTOR HOUSING, KEYING OPTION A 40G CLIP SLOT	YELLOW	SPS/NYLON GF20
1x2 CONNECTOR HOUSING, KEYING OPTION E 7mm CLIP SLOT	STONE GRAY	SPS/NYLON GF20
1x2 CONNECTOR HOUSING, KEYING OPTION C 7mm CLIP SLOT	DARK GRAY	SPS/NYLON GF20
1x2 CONNECTOR HOUSING, KEYING OPTION B 7mm CLIP SLOT	LIGHT GRAY	SPS/NYLON GF20
1x2 CONNECTOR HOUSING, KEYING OPTION A 7mm CLIP SLOT	BLACK	SPS/NYLON GF20
1x2 CONNECTOR HOUSING, KEYING OPTION E 7mm CLIP SLOT	YELLOW	SPS/NYLON GF20
1x2 CONNECTOR HOUSING, KEYING OPTION C 7mm CLIP SLOT	YELLOW	SPS/NYLON GF20
1x2 CONNECTOR HOUSING, KEYING OPTION B 7mm CLIP SLOT	YELLOW	SPS/NYLON GF20
1x2 CONNECTOR HOUSING, KEYING OPTION A 7mm CLIP SLOT	YELLOW	SPS/NYLON GF20
DESCRIPTION	COLOR	MATERIAL

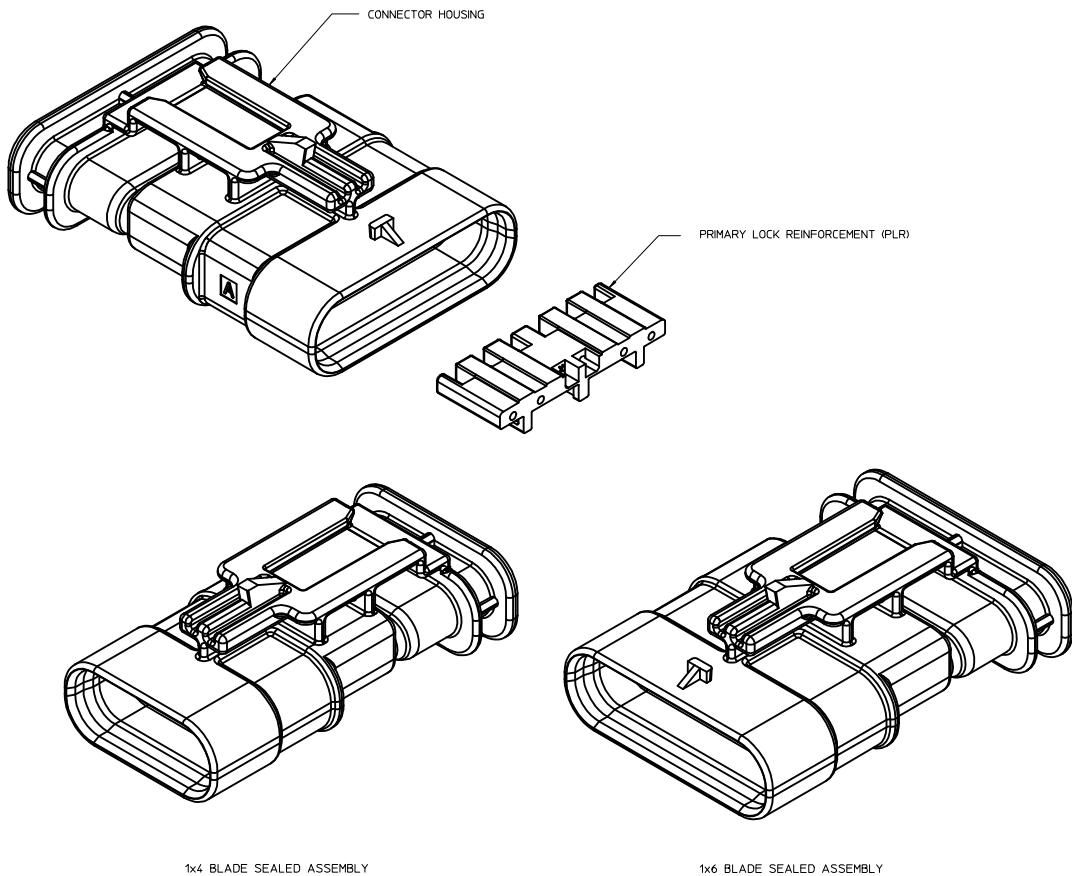
BOM/APPLICABLE COMPONENTS TABLE

LEGEND TABLE	
ABBREVIATION	COMPONENT
A	CONNECTOR HOUSING KEYING OPTION A
B	CONNECTOR HOUSING KEYING OPTION B
C	CONNECTOR HOUSING KEYING OPTION C
E	CONNECTOR HOUSING KEYING OPTION E

ENTER DESCRIPTION EC NO: UAU2016-1535 DRAWING: ANSLAMB0012016/04/15 CHKD: APPR: VKOSH 2016/04/15 REV:	QUALITY SYMBOLS	GENERAL TOLERANCES (UNLESS SPECIFIED)	DIMENSION STYLE	SCALE	DESIGN UNITS	THIRD ANGLE PROJECTION
	▽=0	4 PLACES ± mm ± INCH	MM ONLY	DATE	METRIC	
	▽=0	3 PLACES ± 0.10 ± 0.004	SKRA JENDRANA 2013/11/06	CHECKED BY		12MM 1X2, 1X3 BLADE SEALED ASSEMBLY CABLE SEAL molex
	▽=0	2 PLACES ± 0.20 ± 0.008	DATE	APPROVED BY		
	▽=0	1 PLACE ± 0.50 ± 0.020				
A14	ANGULAR ± 3°	DRAFT WHERE APPLICABLE MUST REMAIN WITHIN DIMENSIONS	MATERIAL NO. SEE BOM	DOCUMENT NO. SD-34899-2001	SHEET NO. 9 OF 11	
THIS DRAWING CONTAINS INFORMATION THAT IS PROPRIETARY TO MOLEX INCORPORATED AND SHOULD NOT BE USED WITHOUT WRITTEN PERMISSION						

TABLE OF CONTENTS

SHEET NO.	SHEET DESCRIPTION
1	NOTES
2	1x4 BLADE SEALED ASSEMBLY KEYING CONFIGURATIONS
3	1x6 BLADE SEALED ASSEMBLY KEYING CONFIGURATIONS
4	CLIP SLOT CONFIGURATIONS
5	BLADE SEALED ASSEMBLY
6	CONNECTION SYSTEM PACKAGING
7	WIRE DRESS COVER INTERFACE OPTIONS
8	1x4 BLADE SEALED ASSEMBLY BOM INTERFACE OPTION 1
9	1x4 BLADE SEALED ASSEMBLY BOM INTERFACE OPTION 2
10	1x6 BLADE SEALED ASSEMBLY BOM INTERFACE OPTION 1
11	1x6 BLADE SEALED ASSEMBLY BOM INTERFACE OPTION 2



NOTES: VALID UNLESS OTHERWISE SPECIFIED

1. GENERAL:
 a. APPLICATION SPECIFICATION SEE: AS-34900-0001
 CONTAINS: PRODUCT INTRODUCTION, PRODUCT SUMMARY, CONNECTOR ASSEMBLY, PACKAGING INFORMATION, CONNECTOR MATING, SERVICE INSTRUCTIONS, ELECTRICAL CONTINUITY CHECKING, CRIMPING, AND TROUBLESHOOTING.
 b. PRODUCT SPECIFICATION SEE: PS-34900-0001
 CONTAINS: PRODUCT INTRODUCTION, PRODUCT SUMMARY, RATINGS (CURRENT, TEMPERATURE, SEALING, AND FLAMMABILITY), AND PRODUCT VALIDATION.
 c. PACKAGING SPECIFICATION PER MOLEX DRAWING: PK-31301-898
 d. PARTS MUST BE IN COMPLIANCE TO MOLEX CHEMICAL SUBSTANCES FOR PRODUCTS AND PACKAGING SPECIFICATION: QEHS-699000-301
 e. DATA MUST BE SUBMITTED UNDER THE MOLEX PART NUMBER TO IMDS (COMPANY ID#13255)

2. DESIGN - MATERIALS:
 a. SEE BOM TABLE

3. DESIGN - GEOMETRY:
 a. THIS IS A 100% CAD GENERATED PART. THE CAD MATHEMATICAL DATA IS THE MASTER FOR THIS PART. FOR DIMENSIONAL OR ANY INFORMATION NOT SHOWN ON THIS DRAWING, ANALYZE THE CAD MODEL.
 b. GEOMETRIC DIMENSIONS AND TOLERANCES PER ASME Y14.5M - 1994
 c. EDGES AND UNDIMENSIONED DETAILS PER ISO13715
 d. CORNERS SHOWN AS SHARP TO BE R 0.2 MAX.
 e. LETTERING SHALL BE 0.15 MAX RAISED IN 0.25 MAX RECESS PAD. THIS INCLUDES RECYCLING CODE, CAVITY ID, VENDOR IDENTIFICATION, AND CUSTOMER MATERIAL NUMBER.
 f. VISUAL DEFECTS SHALL MEET COSMETIC STANDARD PS-45499-002 (Class B)

g. LASER MARKING:
 1. PART NUMBER
 2. DAY OF THE YEAR
 3. SHIFT
 4. YEAR

B15	UPDATED BALLOONS 2-1 & 2-2 ON SHEET 7
B14	UPDATED PARTS TO SALEABLE
B13	RELEASED PRIMARY KEYS NON-SIR SALEABLE
B12	UPDATED PLR LOCK UP GEOMETRY
B11	UPDATED WDC INTERFACE PART# TO TOOLED BUT NOT VALIDATED
B10	UPDATED TOLERANCES WDC FEATURES
B9	1X4, 1X6 PART # WIRE DRESS COVER INTERFACE FEATURES OK TO TOOL
B8	1X4 40G CLIP-SLOT OK TO TOOL
B7	1X4 PART # UPDATED TO 'TOOLED BUT NOT VALIDATED'
B6	ADDED 40G CLIP-SLOT PART NUMBERS
B5	BOM CORRECTIONS AND UPDATES
B4	BOM CORRECTIONS AND UPDATES
B3	1x4, 1x6 NON-SIR PART# OK TO TOOL
B2	1x6 11mm CLIP SLOT PART # OK TO TOOL
B1	1x6 11mm CLIP SLOT PART NUMBERS ADDED
B	ADDED 1x4 INFORMATION
A	OK TO TOOL

INSPECTION BALLOON NUMBER LOG

PER DRAWING REVISION: B12

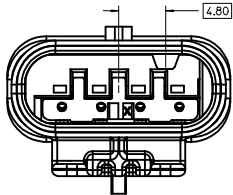
LAST BALLOON NUMBER USED: WDC2-10

ADDED BALLOON NUMBERS: WDC2-1 - WDC2-10

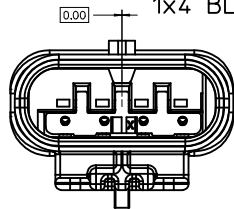
REMOVED BALLOON NUMBERS:

ENTER DESCRIPTION EC NO: UAU2016-1803 DRAWN: KOWALSKI CHKD: APPR: KOWALSKI DATE: 2016/06/15 2016/06/15 B15	QUALITY SYMBOLS ∇=0 ∇=0 ∇=0	GENERAL TOLERANCES (UNLESS SPECIFIED): mm INCH 4 PLACES ±--- ±--- 3 PLACES ±--- ±--- 2 PLACES ±0.10 ±--- 1 PLACE ±0.20 ±--- 0 PLACE ±0.50 ±	DIMENSION STYLE MM ONLY DRAWN BY: MYANSLAMBROU DATE: 2012/07/13 CHECKED BY: YKOSHY DATE: 2012/07/19 APPROVED BY: YKOSHY DATE: 2012/07/124	SCALE: 4:1 DESIGN UNITS: METRIC THIRD ANGLE PROJECTION	TITLE: 12MM 1X4, 1X6 BLADE SEALED ASSEMBLY CABLE SEAL molex	MATERIAL NO.: SEE BOM DOCUMENT NO.: SD-34899-6001 SHEET NO.: 1 OF 11
	DRAFT WHERE APPLICABLE MUST REMAIN WITHIN DIMENSIONS					
	THIS DRAWING CONTAINS INFORMATION THAT IS PROPRIETARY TO MOLEX INCORPORATED AND SHOULD NOT BE USED WITHOUT WRITTEN PERMISSION					
	REMOVED BALLOON NUMBERS:					

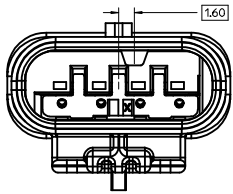
1x4 BLADE SEALED ASSEMBLY KEYING CONFIGURATIONS. FOR PART NUMBERS REFER TO BOM SHEET.



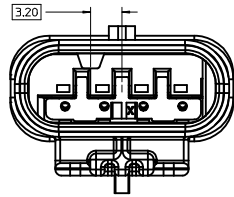
KEYING OPTION A



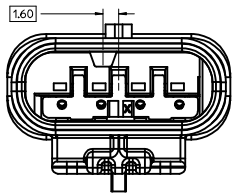
KEYING OPTION F



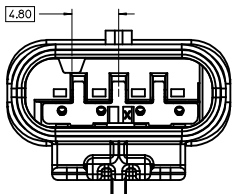
KEYING OPTION B



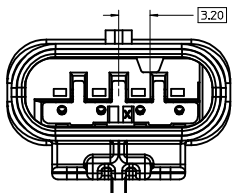
KEYING OPTION G



KEYING OPTION C



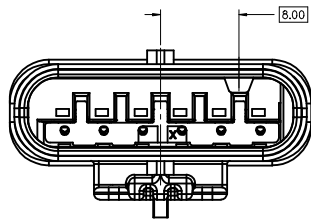
KEYING OPTION D



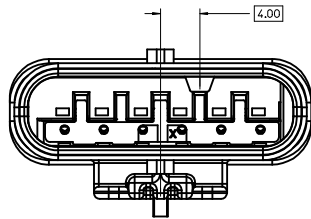
KEYING OPTION E

ENTER DESCRIPTION EC NO: UAU2016-1803 DRAWN: KOWALSKI 2016/06/01 CHKD: CHYD APPR: KOEKOSKI 2016/06/15 REVISIONS 1 2 3 4 5 6 7 8 9 10 11 12 13 14 15 16 17 18 19 20	QUALITY SYMBOLS ▽=0 ▽=0 ▽=0	GENERAL TOLERANCES (UNLESS SPECIFIED) <table border="1"> <thead> <tr> <th></th> <th>mm</th> <th>INCH</th> </tr> </thead> <tbody> <tr> <td>4 PLACES</td> <td>± 0.10</td> <td>± 0.004</td> </tr> <tr> <td>3 PLACES</td> <td>± 0.15</td> <td>± 0.006</td> </tr> <tr> <td>2 PLACES</td> <td>± 0.20</td> <td>± 0.008</td> </tr> <tr> <td>1 PLACE</td> <td>± 0.25</td> <td>± 0.010</td> </tr> <tr> <td>0 PLACE</td> <td>± 0.30</td> <td>± 0.012</td> </tr> </tbody> </table> ANGULAR ± 3 ° DRAFT WHERE APPLICABLE MUST REMAIN WITHIN DIMENSIONS		mm	INCH	4 PLACES	± 0.10	± 0.004	3 PLACES	± 0.15	± 0.006	2 PLACES	± 0.20	± 0.008	1 PLACE	± 0.25	± 0.010	0 PLACE	± 0.30	± 0.012	DIMENSION STYLE MM ONLY	SCALE 4:1	DESIGN UNITS METRIC	THIRD ANGLE PROJECTION 	DRAWN BY MYANSLAMBROU DATE 2012/07/13	CHECKED BY VKOSHY DATE 2012/07/19	APPROVED BY VKOSHY DATE 2012/07/24	MATERIAL NO. SEE BOM	DOCUMENT NO. SD-34899-6001	SHEET NO. 2 OF 11
		mm	INCH																											
	4 PLACES	± 0.10	± 0.004																											
	3 PLACES	± 0.15	± 0.006																											
2 PLACES	± 0.20	± 0.008																												
1 PLACE	± 0.25	± 0.010																												
0 PLACE	± 0.30	± 0.012																												
TITLE 1.2MM 1X4, 1X6 BLADE SEALED ASSEMBLY CABLE SEAL																														
molex																														
THIS DRAWING CONTAINS INFORMATION THAT IS PROPRIETARY TO MOLEX INCORPORATED AND SHOULD NOT BE USED WITHOUT WRITTEN PERMISSION																														

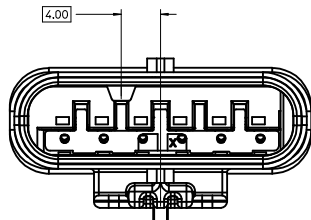
1x6 BLADE SEALED ASSEMBLY KEYING CONFIGURATIONS. FOR PART NUMBERS REFER TO BOM SHEET.



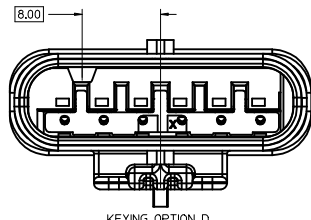
KEYING OPTION A



KEYING OPTION B



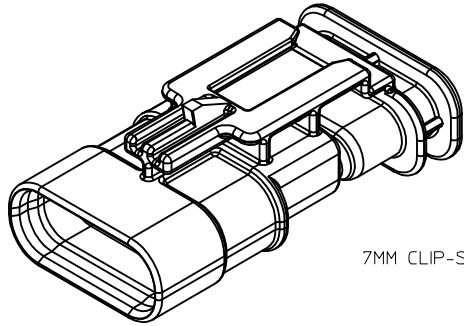
KEYING OPTION C



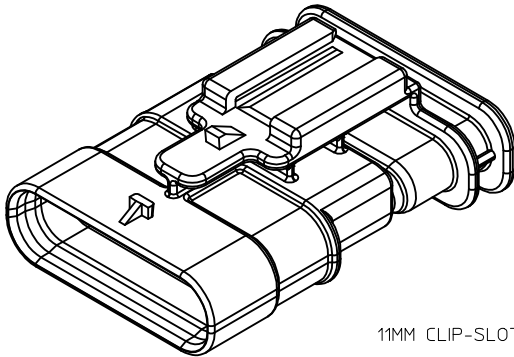
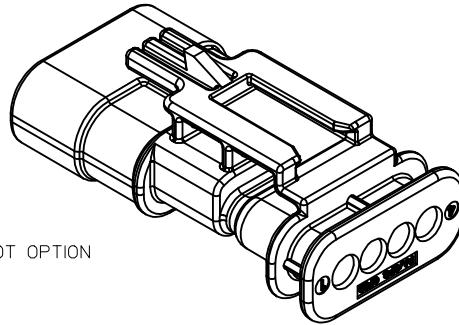
KEYING OPTION D

ENTER DESCRIPTION EC NO: UAU2016-1803 DRAWN: KOKOMALSKY 2016/06/07 CHKD: CHYD APPR: KIEKOSKI 2016/06/15 REV: DESCRIPTION	QUALITY SYMBOLS ▽=0 ▽=0 ▽=0		GENERAL TOLERANCES (UNLESS SPECIFIED) <table border="1"> <thead> <tr> <th></th> <th>mm</th> <th>INCH</th> </tr> </thead> <tbody> <tr> <td>4 PLACES</td> <td>± 0.10</td> <td>± 0.004</td> </tr> <tr> <td>3 PLACES</td> <td>± 0.15</td> <td>± 0.006</td> </tr> <tr> <td>2 PLACES</td> <td>± 0.20</td> <td>± 0.008</td> </tr> <tr> <td>1 PLACE</td> <td>± 0.25</td> <td>± 0.010</td> </tr> <tr> <td>0 PLACE</td> <td>± 0.50</td> <td>± 0.020</td> </tr> </tbody> </table>			mm	INCH	4 PLACES	± 0.10	± 0.004	3 PLACES	± 0.15	± 0.006	2 PLACES	± 0.20	± 0.008	1 PLACE	± 0.25	± 0.010	0 PLACE	± 0.50	± 0.020	DIMENSION STYLE MM ONLY		SCALE 4:1		DESIGN UNITS METRIC		THIRD ANGLE PROJECTION	
		mm	INCH																											
	4 PLACES	± 0.10	± 0.004																											
	3 PLACES	± 0.15	± 0.006																											
2 PLACES	± 0.20	± 0.008																												
1 PLACE	± 0.25	± 0.010																												
0 PLACE	± 0.50	± 0.020																												
DRAFT WHERE APPLICABLE MUST REMAIN WITHIN DIMENSIONS			MATERIAL NO. SEE BOM		DATE MYANSLAMBROU 2012/07/13 VKOSHY 2012/07/19 VKOSHY 2012/07/24		TITLE 1.2MM 1X4, 1X6 BLADE SEALED ASSEMBLY CABLE SEAL		SHEET NO. 3 OF 11																					
ANGLAR ± 3 °			SIZE D		DOCUMENT NO. SD-34899-6001		molex		THIS DRAWING CONTAINS INFORMATION THAT IS PROPRIETARY TO MOLEX INCORPORATED AND SHOULD NOT BE USED WITHOUT WRITTEN PERMISSION																					
12MM 1X4, 1X6 BLADE SEALED ASSEMBLY CABLE SEAL																														

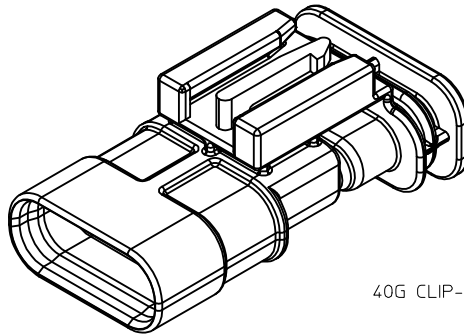
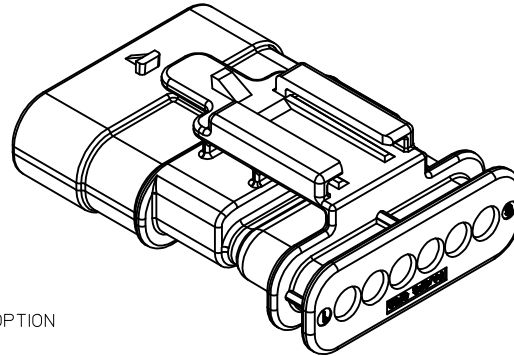
CLIP-SLOT CONFIGURATIONS. FOR PART NUMBERS REFER TO BOM SHEET.



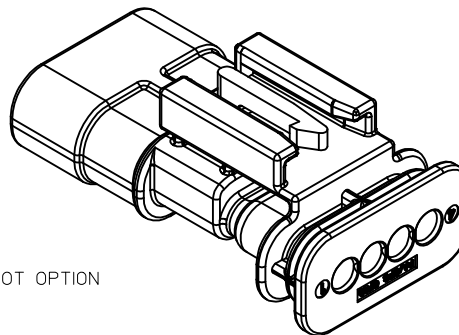
7MM CLIP-SLOT OPTION



11MM CLIP-SLOT OPTION

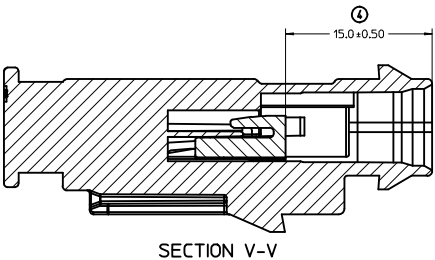
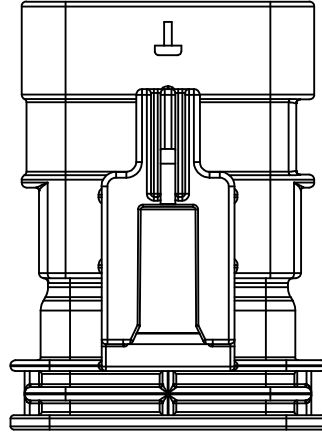
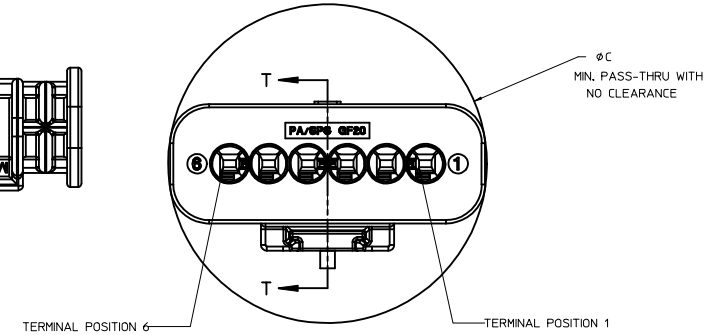
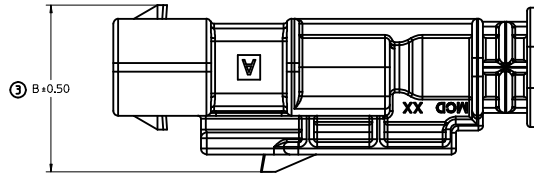
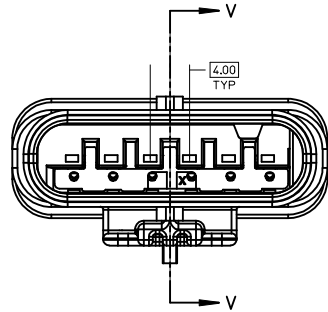
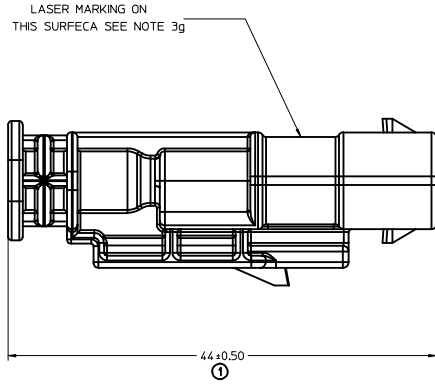


40G CLIP-SLOT OPTION

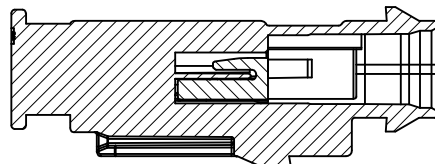


ENTER DESCRIPTION EC NO: UAU2016-1803 DRAWN/KOMALSKY 2016/06/01 CHKD: APPR:KIEKOSKI 2016/06/15 REV:	QUALITY SYMBOLS	GENERAL TOLERANCES (UNLESS SPECIFIED)		DIMENSION STYLE	SCALE	DESIGN UNITS	THIRD ANGLE PROJECTION
	▽=0	mm	INCH	MM ONLY	4:1	METRIC	☉
	▽=0	4 PLACES ± 0.10	± 0.005				
	▽=0	3 PLACES ± 0.20	± 0.008				
		ANGULAR ± 3 °		DRAWN BY	DATE	TITLE	
		DRAFT WHERE APPLICABLE MUST REMAIN WITHIN DIMENSIONS		MYANSLAMBROU	2012/07/13	12MM 1X4, 1X6 BLADE SEALED ASSEMBLY CABLE SEAL	
				CHECKED BY	DATE	molex	
				VKOSHY	2012/07/19		
				APPROVED BY	DATE	DOCUMENT NO.	
				VKOSHY	2012/07/24	SD-34899-6001	
				MATERIAL NO.	SEE BOM		SHEET NO.
				SIZE	D THIS DRAWING CONTAINS INFORMATION THAT IS PROPRIETARY TO MOLEX INCORPORATED AND SHOULD NOT BE USED WITHOUT WRITTEN PERMISSION		4 OF 11

BLADE SEALED ASSEMBLY



SECTION V-V



SECTION T-T

PRIMARY LOCK REINFORCEMENT (PLR) SHOWN IN THE PRE-STAGED POSITION

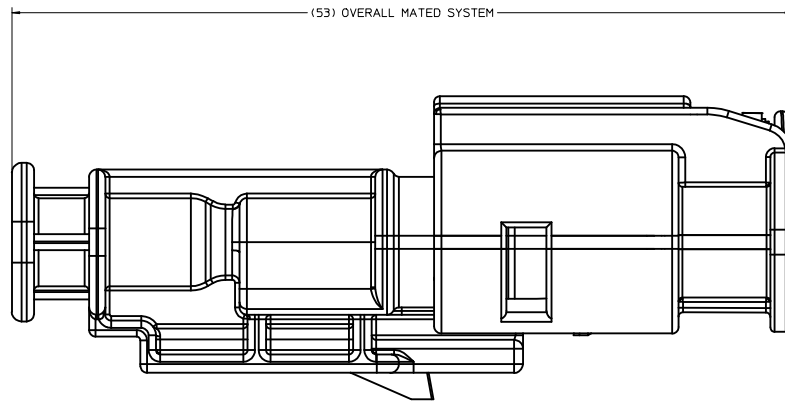
PRIMARY LOCK REINFORCEMENT (PLR) SHOWN IN THE FINAL-LOCK POSITION

1x6 BLADE SEALED ASSEMBLY, 40G CLIP SLOT	17.5	32.75
1x6 BLADE SEALED ASSEMBLY, 11mm CLIP SLOT	16	32.75
1x6 BLADE SEALED ASSEMBLY, 7mm CLIP SLOT	17.25	32.75
1x4 BLADE SEALED ASSEMBLY, 40G CLIP SLOT	17.5	25.25
1x4 BLADE SEALED ASSEMBLY, 11mm CLIP SLOT	16	24.75
1x4 BLADE SEALED ASSEMBLY, 7mm CLIP SLOT	17.25	24.75
CONFIGURATION	B	C

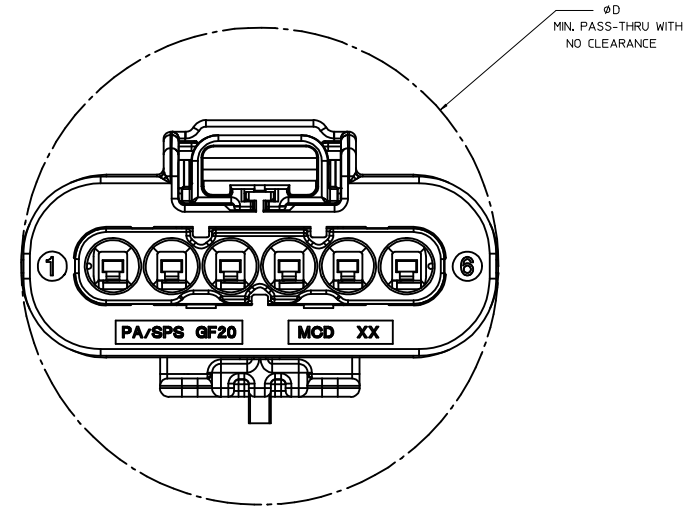
CHARTED DIMENSIONS

ENTER DESCRIPTION EC NO. UAU2016-1803 DRAWN: KOKALSKY 2016/06/01 CHKD: APPR: KOKOSKI 2016/06/15	QUALITY SYMBOLS	GENERAL TOLERANCES (UNLESS SPECIFIED)	DIMENSION STYLE	SCALE	DESIGN UNITS	THIRD ANGLE PROJECTION	
	∇=0 ∇=0 ∇=0	mm INCH 4 PLACES ± --- ± --- 3 PLACES ± --- ± --- 2 PLACES ± 0.10 ± --- 1 PLACE ± 0.20 ± --- 0 PLACE ± 0.50 ±	MM ONLY	4:1	METRIC	DRAWN BY DATE MYANSLAMBROU 2012/07/13 CHECKED BY DATE VKOSHY 2012/07/19 APPROVED BY DATE VKOSHY 2012/07/24	TITLE 12MM 1X4, 1X6 BLADE SEALED ASSEMBLY CABLE SEAL
	ANGULAR ± 3 ° DRAFT WHERE APPLICABLE MUST REMAIN WITHIN DIMENSIONS	MATERIAL NO.	SEE BOM	DOCUMENT NO.	SD-34899-6001	SHEET NO.	5 OF 11
	SIZE D THIS DRAWING CONTAINS INFORMATION THAT IS PROPRIETARY TO MOLEX INCORPORATED AND SHOULD NOT BE USED WITHOUT WRITTEN PERMISSION						

CONNECTION SYSTEM PACKAGING



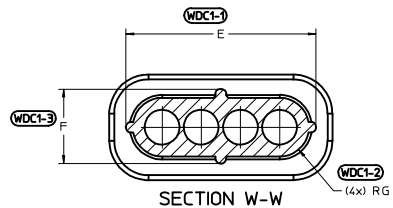
MODEL USED 'AM-120-S-006-1-Z01'



1x6 RECEPTACLE MATED TO 1x6 BLADE, 40 CLIP SLOT	TBD
1x6 RECEPTACLE MATED TO 1x6 BLADE, 11mm CLIP SLOT	33.5
1x6 RECEPTACLE MATED TO 1x6 BLADE, 7mm CLIP SLOT	33.5
1x4 RECEPTACLE MATED TO 1x4 BLADE, 40G CLIP SLOT	25.50
1x4 RECEPTACLE MATED TO 1x4 BLADE, 11mm CLIP SLOT	25.50
1x4 RECEPTACLE MATED TO 1x4 BLADE, 7mm CLIP SLOT	25.50
1.2mm CONNECTION SYSTEM CONFIGURATION	D

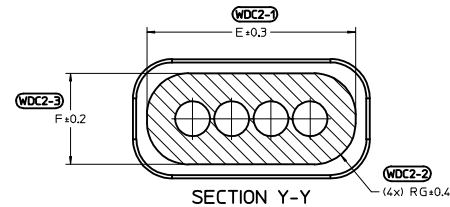
CHARTED DIMENSIONS

ENTER DESCRIPTION EC NO: UAU2016-1803 DRAWN: KOMALSKY 2016/06/01 CHKD: APPR: KOEKOGLI 2016/06/15 REV: DESCRIPTION	QUALITY SYMBOLS	GENERAL TOLERANCES (UNLESS SPECIFIED)	DIMENSION STYLE	SCALE	DESIGN UNITS	THIRD ANGLE PROJECTION
	▽=0	mm INCH	MM ONLY	6:1	METRIC	☉
	▽=0	4 PLACES ± --- ± ---	DRAWN BY DATE	TITLE		
	▽=0	3 PLACES ± --- ± ---	MYANSLAMBROU 2012/07/13	12MM 1X4, 1X6 BLADE SEALED ASSEMBLY CABLE SEAL		
	2 PLACES ± 0.10 ± ---	CHECKED BY DATE	DOCUMENT NO.			SHEET NO.
	1 PLACE ± 0.20 ± ---	VKOSHY 2012/07/19	SD-34899-6001			6 OF 11
	0 PLACE ± 0.50 ±	APPROVED BY DATE	MATERIAL NO.			
	ANGULAR ± 3 °	VKOSHY 2012/07/24	SEE BOM			
	DRAFT WHERE APPLICABLE MUST REMAIN WITHIN DIMENSIONS		SIZE D			
			THIS DRAWING CONTAINS INFORMATION THAT IS PROPRIETARY TO MOLEX INCORPORATED AND SHOULD NOT BE USED WITHOUT WRITTEN PERMISSION			



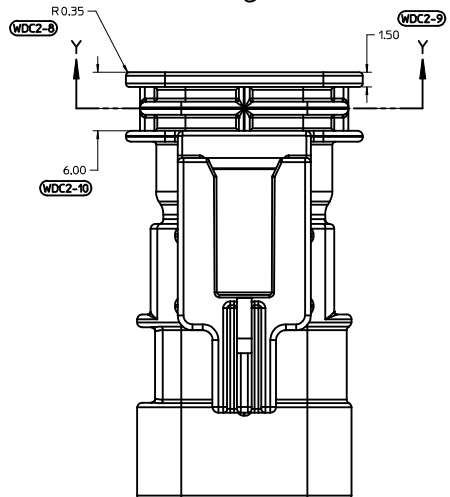
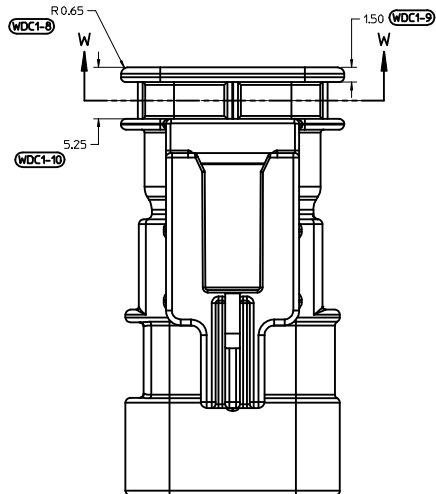
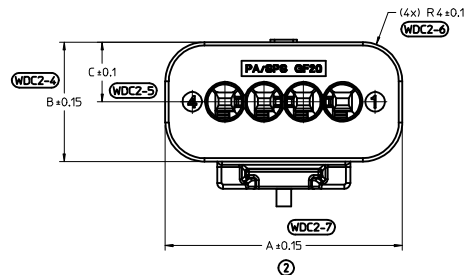
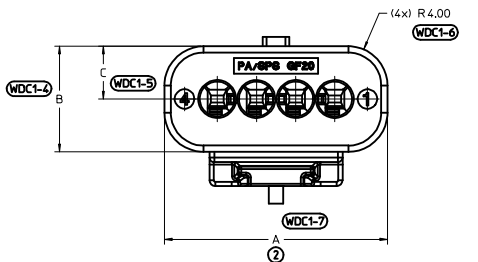
6 CIRCUIT	30.8	10.8	5.4	27.4	7.6	3.0
4 CIRCUIT	22.8	10.8	5.4	19.4	7.6	3.0
CONFIGURATION	A	B	C	E	F	G

CHARTED DIMENSIONS



6 CIRCUIT	32.2	12.2	6.1	29.3	9.3	4.2
4 CIRCUIT	24.2	12.2	6.1	21.3	9.3	4.2
CONFIGURATION	A	B	C	E	F	G

CHARTED DIMENSIONS



WIRE DRESS COVER
INTERFACE OPTION 1
WIRE DRESS COVERS
NOT AVAILABLE

WIRE DRESS COVER
INTERFACE OPTION 2
BASED ON HIRSCHMANN INTERFACE
DRAWING 808-012-xxx REV B5

ENTER DESCRIPTION EC NO: UAU2016-1803 DRAWN BY: KOWALSKI CHKD: APPR: KOWALSKI DATE: 2016/06/15	QUALITY SYMBOLS ∇=0 ∇=0 ∇=0	GENERAL TOLERANCES (UNLESS SPECIFIED)		DIMENSION STYLE MM ONLY	SCALE 4:1	DESIGN UNITS METRIC	THIRD ANGLE PROJECTION		
		4 PLACES ± --- ± ---	3 PLACES ± --- ± ---	2 PLACES ± 0.10 ± ---	1 PLACE ± 0.20 ± ---	0 PLACE ± 0.50 ±	DRAWN BY: MYANSLAMBROU DATE: 2012/07/13	CHECKED BY: VKOSHY DATE: 2012/07/19	APPROVED BY: VKOSHY DATE: 2012/07/24
		ANGULAR ± 3 °		DRAFT WHERE APPLICABLE MUST REMAIN WITHIN DIMENSIONS		MATERIAL NO: SEE TABLE	DOCUMENT NO: SD-34899-6001	SHEET NO: 7 OF 11	
		THIS DRAWING CONTAINS INFORMATION THAT IS PROPRIETARY TO MOLEX INCORPORATED AND SHOULD NOT BE USED WITHOUT WRITTEN PERMISSION							

