



Chipsmall Limited consists of a professional team with an average of over 10 year of expertise in the distribution of electronic components. Based in Hongkong, we have already established firm and mutual-benefit business relationships with customers from,Europe,America and south Asia,supplying obsolete and hard-to-find components to meet their specific needs.

With the principle of “Quality Parts,Customers Priority,Honest Operation,and Considerate Service”,our business mainly focus on the distribution of electronic components. Line cards we deal with include Microchip,ALPS,ROHM,Xilinx,Pulse,ON,Everlight and Freescale. Main products comprise IC,Modules,Potentiometer,IC Socket,Relay,Connector.Our parts cover such applications as commercial,industrial, and automotives areas.

We are looking forward to setting up business relationship with you and hope to provide you with the best service and solution. Let us make a better world for our industry!



Contact us

Tel: +86-755-8981 8866 Fax: +86-755-8427 6832

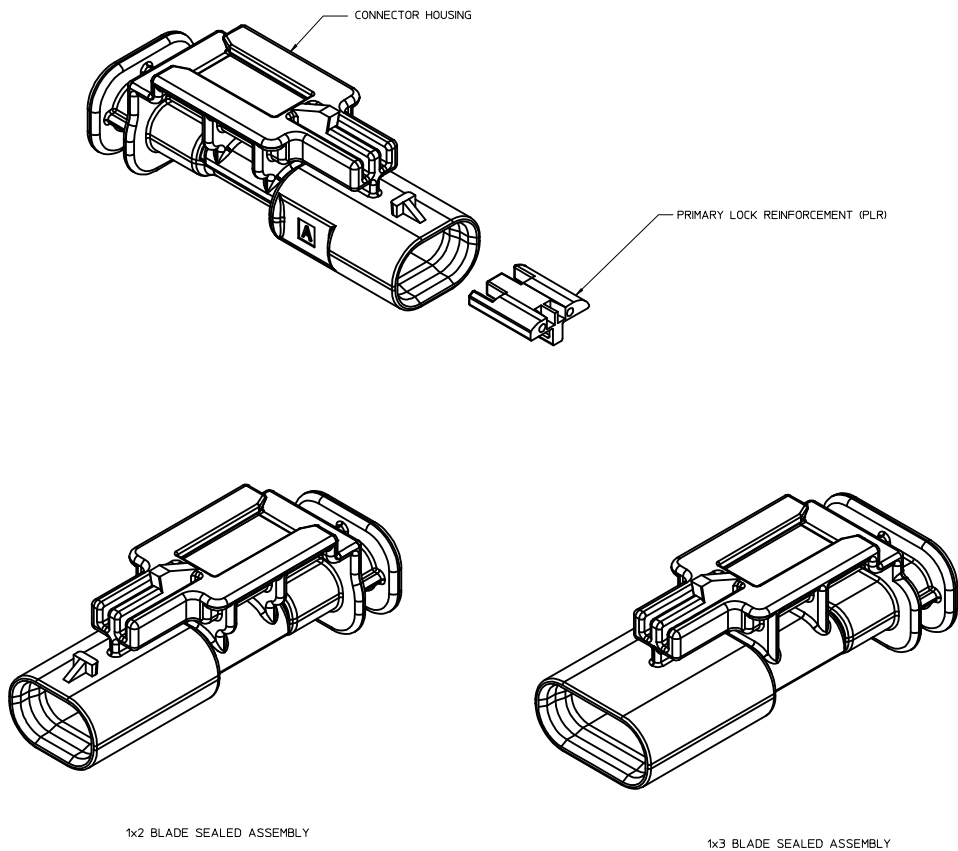
Email & Skype: info@chipsmall.com Web: www.chipsmall.com

Address: A1208, Overseas Decoration Building, #122 Zhenhua RD., Futian, Shenzhen, China



TABLE OF CONTENTS

SHEET NO.	SHEET DESCRIPTION
1	NOTES
2	1x2 BLADE SEALED ASSEMBLY KEYING CONFIGURATIONS
3	1x3 BLADE SEALED ASSEMBLY KEYING CONFIGURATIONS
4	CLIP-SLOT CONFIGURATIONS
5	BLADE SEALED ASSEMBLY
6	CONNECTION SYSTEM PACKAGING
8	WIRE DRESS COVER INTERFACE OPTIONS
8	1x2 BLADE SEALED ASSEMBLY BOM INTERFACE OPTION 1
9	1x2 BLADE SEALED ASSEMBLY BOM INTERFACE OPTION 2
8	1x3 BLADE SEALED ASSEMBLY BOM INTERFACE OPTION 1
9	1x3 BLADE SEALED ASSEMBLY BOM INTERFACE OPTION 2



NOTES: VALID UNLESS OTHERWISE SPECIFIED

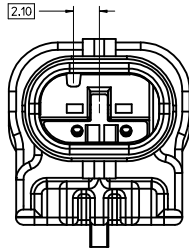
- 1. GENERAL:
 - a. APPLICATION SPECIFICATION SEE: AS-34900-0001
CONTAINS: PRODUCT INTRODUCTION, PRODUCT SUMMARY, CONNECTOR ASSEMBLY, PACKAGING INFORMATION, CONNECTOR MATING, SERVICE INSTRUCTIONS, ELECTRICAL CONTINUITY CHECKING, CRIMPING, AND TROUBLESHOOTING.
 - b. PRODUCT SPECIFICATION SEE: PS-34900-0001
CONTAINS: PRODUCT INTRODUCTION, PRODUCT SUMMARY, RATINGS (CURRENT, TEMPERATURE, SEALING, AND FLAMMABILITY), AND PRODUCT VALIDATION.
 - c. PACKAGING SPECIFICATION PER MOLEX DRAWING: PK-31301-898
 - d. PARTS MUST BE IN COMPLIANCE TO MOLEX CHEMICAL SUBSTANCES FOR PRODUCTS AND PACKAGING SPECIFICATION: ES-40000-5016
 - e. DATA MUST BE SUBMITTED UNDER THE MOLEX PART NUMBER TO IMDS (COMPANY ID#13255)
- 2. DESIGN - MATERIALS:
 - a. SEE BOM TABLE
- 3. DESIGN - GEOMETRY:
 - a. THIS IS A 100% CAD GENERATED PART. THE CAD MATHEMATICAL DATA IS THE MASTER FOR THIS PART. FOR DIMENSIONAL OR ANY INFORMATION NOT SHOWN ON THIS DRAWING, ANALYZE THE CAD MODEL.
 - b. GEOMETRIC DIMENSIONS AND TOLERANCES PER ASME Y14.5M - 1994
 - c. EDGES AND UNDIMENSIONED DETAILS PER ISO13715
 - d. CORNERS SHOWN AS SHARP TO BE R 0.2 MAX.
 - e. LETTERING SHALL BE 0.15 MAX RAISED IN 0.25 MAX RECESS PAD. THIS INCLUDES RECYCLING CODE, CAVITY ID, VENDOR IDENTIFICATION.
 - f. VISUAL DEFECTS SHALL MEET COSMETIC STANDARD PS-45499-002 (Class B)
- g. LASER MARKING:
 - 1. PART NUMBER
 - 2. DAY OF THE YEAR
 - 3. SHIFT
 - 4. YEAR

INSPECTION NUMBER LOG
LAST NUMBER USED:
ADDED:
REMOVED:

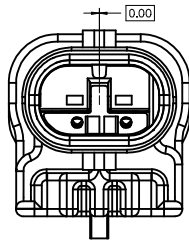
REV	DESCRIPTION
A14	CORRECTED CHARTED DIMENSION 3 FOR 1x3 11MM CLIP-SLOT
A13	1x3 KEY A&B SALEABLE (NON 40G)
A12	1x2 KEYS A&B W/ WDC SALEABLE
A11	CORRECTED REVISION LOG
A10	1x2,1x3 WIRE DRESS FEATURES OK TO TOOL
A9	1x2,1x3 PART # STATUS UPDATED
A8	1x2 40G CLIP-SLOT OK TO TOOL
A7	1x2,1x3 PART # UPDATED TO "TOOLED BUT NOT VALIDATED"
A6	ADDED 40G CLIP-SLOT PART NUMBERS
A5	BOM CORRECTIONS AND UPDATES
A4	BOM CORRECTIONS AND UPDATES
A3	1x2, 1x3 NON-SIR PART# OK TO TOOL
A2	ADDED 1x3 11mm CLIP-SLOT PART #
A	ADDED BLACK PART# AND MINOR BOM UPDATES
6	ADDED CLIP SLOT CONFIGURATIONS
5	1x3 BOM UPDATED
4	1x3 INLINE ASSY VIEWS ADDED
3	MINOR BOM CORRECTIONS
2	UPDATED PACKAGING DIMENSIONS
1	INITIAL RELEASE

1x3 VIEWS ADDED EC NO: UAU2016-1535 DRAWING: ANBR012016/04/15 CHKD: APPR: IKOSHY 2016/04/15 A14	QUALITY SYMBOLS ∇=0 ∇=0 ∇=0	GENERAL TOLERANCES (UNLESS SPECIFIED): <table border="1"> <thead> <tr> <th></th> <th>mm</th> <th>INCH</th> </tr> </thead> <tbody> <tr> <td>4 PLACES</td> <td>±.004</td> <td>±.0001</td> </tr> <tr> <td>3 PLACES</td> <td>±.005</td> <td>±.0002</td> </tr> <tr> <td>2 PLACES</td> <td>±.010</td> <td>±.0004</td> </tr> <tr> <td>1 PLACE</td> <td>±.020</td> <td>±.0008</td> </tr> <tr> <td>0 PLACE</td> <td>±.050</td> <td>±.0020</td> </tr> </tbody> </table> ANGULAR ± 3 ° DRAFT WHERE APPLICABLE MUST REMAIN WITHIN DIMENSIONS		mm	INCH	4 PLACES	±.004	±.0001	3 PLACES	±.005	±.0002	2 PLACES	±.010	±.0004	1 PLACE	±.020	±.0008	0 PLACE	±.050	±.0020	DIMENSION STYLE MM ONLY DRAWN BY: SKRAJENDRANA 2013/11/06 CHECKED BY: DATE APPROVED BY: DATE MATERIAL NO: SEE BOM SIZE: D	SCALE: 4:1 DESIGN UNITS: METRIC THIRD ANGLE PROJECTION TITLE: 12MM 1X2, 1X3 BLADE SEALED ASSEMBLY CABLE SEAL molex DOCUMENT NO: SD-34899-0001 SHEET NO: 1 OF 11
		mm	INCH																			
	4 PLACES	±.004	±.0001																			
	3 PLACES	±.005	±.0002																			
2 PLACES	±.010	±.0004																				
1 PLACE	±.020	±.0008																				
0 PLACE	±.050	±.0020																				
THIS DRAWING CONTAINS INFORMATION THAT IS PROPRIETARY TO MOLEX INCORPORATED AND SHOULD NOT BE USED WITHOUT WRITTEN PERMISSION																						
INSPECTION NUMBER LOG LAST NUMBER USED: ADDED: REMOVED:																						
REV DESCRIPTION																						

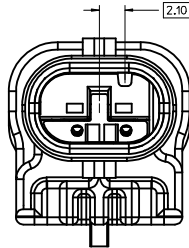
1x2 BLADE SEALED ASSEMBLY KEYING CONFIGURATIONS. FOR PART NUMBERS REFER TO BOM SHEET.



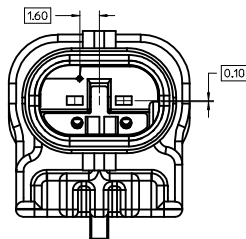
KEYING OPTION A



KEYING OPTION B



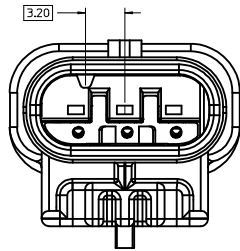
KEYING OPTION C



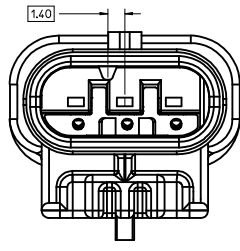
KEYING OPTION E

1x3 VIEWS ADDED EC NO: UAU2016-1535 DRAWN: VANSIAMBROU 2016/04/15 CHKD: APPR: VIOSHY 2016/04/15 REV:	QUALITY SYMBOLS	GENERAL TOLERANCES (UNLESS SPECIFIED)	DIMENSION STYLE	SCALE	DESIGN UNITS	THIRD ANGLE PROJECTION
	▽=0	4 PLACES ± mm ± INCH	MM ONLY	5:1	METRIC	☉
	▽=0	3 PLACES ± 0.10 ± --- ± ---	DRAWN BY	DATE	TITLE	
	▽=0	2 PLACES ± 0.20 ± --- ± ---	SKRA JENDRANA 2013/11/06	DATE	12MM 1X2, 1X3 BLADE SEALED ASSEMBLY CABLE SEAL	
		1 PLACE ± 0.50 ± --- ± ---	CHECKED BY	DATE	APPROVED BY	DATE
		0 PLACE ± 0.50 ± --- ± ---				
		ANGULAR ± 3 °	MATERIAL NO.	SEE BOM	DOCUMENT NO.	SD-34899-2001
		DRAFT WHERE APPLICABLE MUST REMAIN WITHIN DIMENSIONS	SIZE	D	THIS DRAWING CONTAINS INFORMATION THAT IS PROPRIETARY TO MOLEX INCORPORATED AND SHOULD NOT BE USED WITHOUT WRITTEN PERMISSION	
					SHEET NO.	2 OF 11

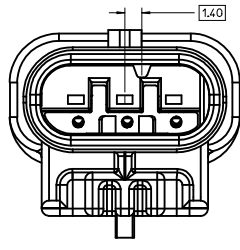
1x3 BLADE SEALED ASSEMBLY KEYING CONFIGURATIONS. FOR PART NUMBERS REFER TO BOM SHEET.



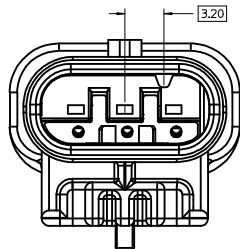
KEYING OPTION A



KEYING OPTION B



KEYING OPTION C



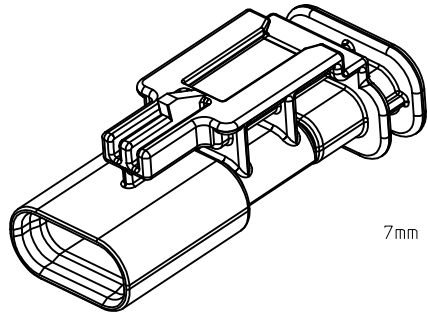
KEYING OPTION D

1x3 VIEWS ADDED DEC NO: 04/2016-1535 DRAWN: VANSIAMBROU 2016/04/15 CHKD: APPR: VIKOSHY 2016/04/15 REV:	QUALITY SYMBOLS	GENERAL TOLERANCES (UNLESS SPECIFIED)	DIMENSION STYLE	SCALE	DESIGN UNITS	THIRD ANGLE PROJECTION
	▽=0	4 PLACES ± mm ± INCH	MM ONLY	5:1	METRIC	SKRA JENDRANA 2013/11/06 SKRA JENDRANA 2013/11/06 DATE DATE APPROVED BY DATE MATERIAL NO. SEE BOM DOCUMENT NO. SD-34899-2001 SHEET NO. 3 OF 11
	▽=0	3 PLACES ± 0.10 ± 0.004				
	▽=0	2 PLACES ± 0.20 ± 0.008	ANGULAR ± 3 °			
	1 PLACE ± 0.50 ± 0.020	DRAFT WHERE APPLICABLE MUST REMAIN WITHIN DIMENSIONS	SIZE D			
	0 PLACE ± 0.50 ± 0.020					

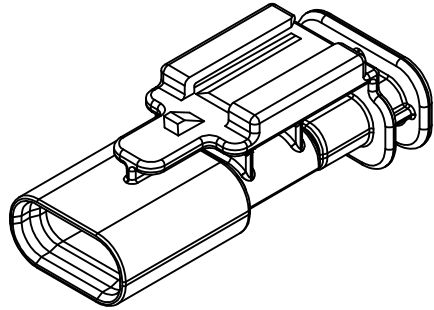
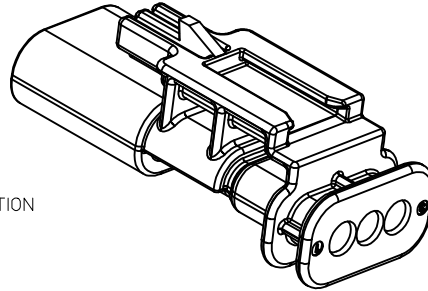
12MM 1X2, 1X3 BLADE SEALED ASSEMBLY CABLE SEAL

molex

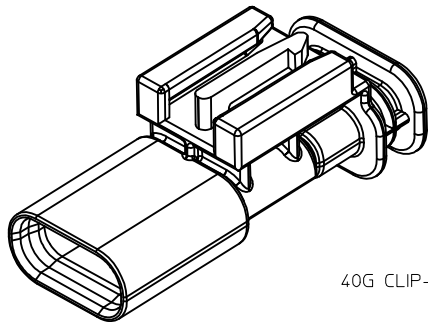
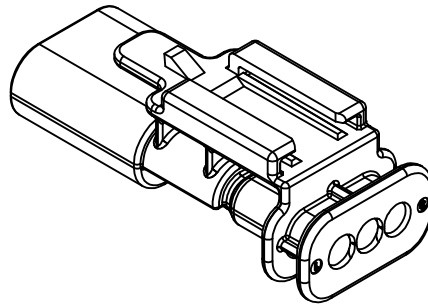
CLIP-SLOT CONFIGURATIONS. FOR PART NUMBERS REFER TO BOM SHEET.



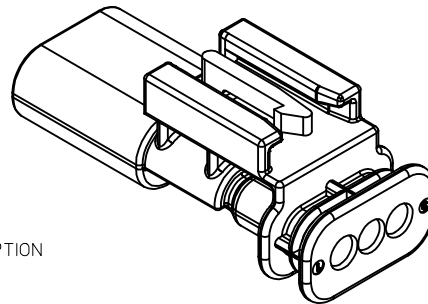
7mm CLIP-SLOT OPTION



11mm CLIP-SLOT OPTION

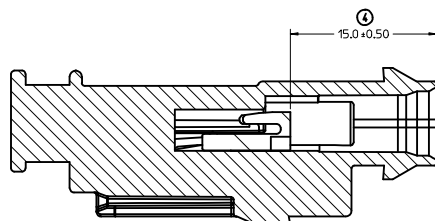
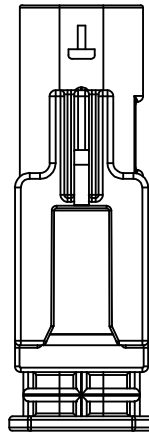
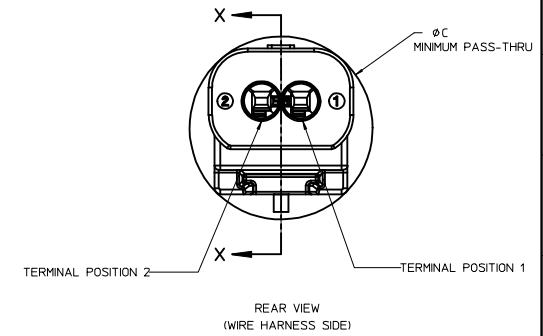
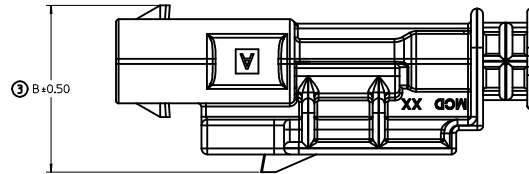
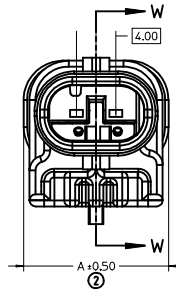
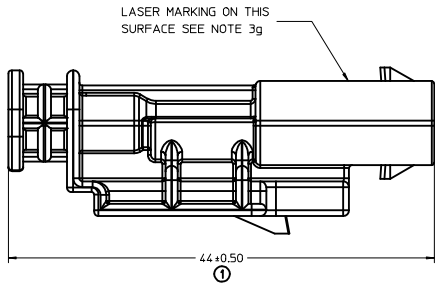


40G CLIP-SLOT OPTION



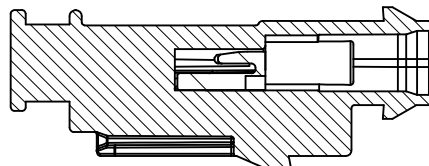
ENTER DESCRIPTION ELEC NO: UAU2016-1535 DRAWN/ANSI: AMBROU/2016/04/15 CHKD: APPR: VKOSHY 2016/04/15 REV:	QUALITY SYMBOLS	GENERAL TOLERANCES (UNLESS SPECIFIED)	DIMENSION STYLE	SCALE	DESIGN UNITS	THIRD ANGLE PROJECTION
	▽=0	mm INCH	MM ONLY	4:1	METRIC	☉
	▽=0	4 PLACES ± --- ± ---	DRAWN BY	DATE	TITLE	
	▽=0	3 PLACES ± --- ± ---	SKRA JENDRANA 2013/11/06	DATE	12MM 1X2, 1X3 BLADE SEALED ASSEMBLY CABLE SEAL	
	2 PLACES ± 0.10 ± ---	1 PLACE ± 0.20 ± ---	0 PLACE ± 0.50 ±	APPROVED BY	DATE	
	ANGULAR ± 3 °		MATERIAL NO.	DOCUMENT NO.		SHEET NO.
	DRAFT WHERE APPLICABLE MUST REMAIN WITHIN DIMENSIONS		SEE BOM	SD-34899-2001		4 OF 11
	THIS DRAWING CONTAINS INFORMATION THAT IS PROPRIETARY TO MOLEX INCORPORATED AND SHOULD NOT BE USED WITHOUT WRITTEN PERMISSION					

BLADE SEALED ASSEMBLY



PRIMARY LOCK REINFORCEMENT (PLR) SHOWN
IN THE PRE-STAGED POSITION

SECTION W-W



PRIMARY LOCK REINFORCEMENT (PLR) SHOWN
IN THE FINAL-LOCK POSITION

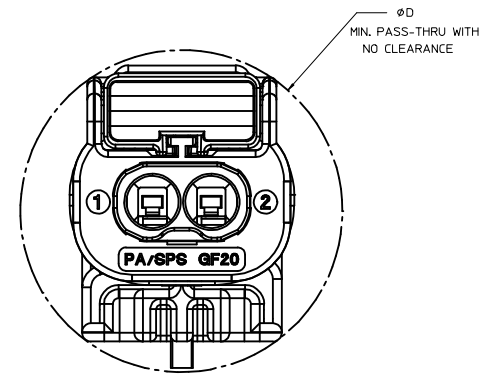
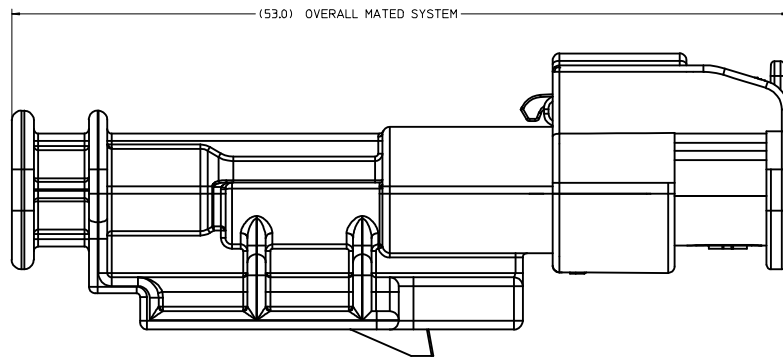
SECTION X-X

1x3 BLADE SEALED ASSEMBLY, 40G CLIP SLOT	19	16.75	21.75
1x3 BLADE SEALED ASSEMBLY, 11mm CLIP SLOT	19	14.6	20.75
1x3 BLADE SEALED ASSEMBLY, 7mm CLIP SLOT	19	17	20.5
1x2 BLADE SEALED ASSEMBLY, 40G CLIP SLOT	15	16.75	20.25
1x2 BLADE SEALED ASSEMBLY, 11mm CLIP SLOT	15	15.5	19
1x2 BLADE SEALED ASSEMBLY, 7mm CLIP SLOT	15	17	18.75
CONFIGURATION	A	B	C

CHARTED DIMENSIONS

1x3 VIEWS ADDED EC NO: UAI/2016-1535 DRAWN/ANSL/MBROU/2016/04/15 CHKD: APPR:VKOSHY REV:	QUALITY SYMBOLS ∇=0 ∇=0 ∇=0	GENERAL TOLERANCES (UNLESS SPECIFIED) mm INCH 4 PLACES ± --- ± --- 3 PLACES ± --- ± --- 2 PLACES ± 0.10 ± --- 1 PLACE ± 0.20 ± --- 0 PLACE ± 0.50 ±	DIMENSION STYLE MM ONLY DRAWN BY SKRAJENDRANA DATE 2013/11/06 CHECKED BY DATE APPROVED BY DATE	SCALE 4:1 DESIGN UNITS METRIC THIRD ANGLE PROJECTION	TITLE 12MM 1X2, 1X3 BLADE SEALED ASSEMBLY CABLE SEAL molex	MATERIAL NO. SEE BOM	DOCUMENT NO. SD-34899-2001	SHEET NO. 5 OF 11
	DRAFT WHERE APPLICABLE MUST REMAIN WITHIN DIMENSIONS	ANGULAR ± 3 °	SIZE D	THIS DRAWING CONTAINS INFORMATION THAT IS PROPRIETARY TO MOLEX INCORPORATED AND SHOULD NOT BE USED WITHOUT WRITTEN PERMISSION				

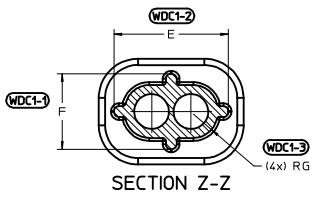
CONNECTION SYSTEM PACKAGING



1x3 RECEPTACLE MATED TO 1x3 BLADE, 40 CLIP SLOT	TBD
1x3 RECEPTACLE MATED TO 1x3 BLADE, 11mm CLIP SLOT	24.0
1x3 RECEPTACLE MATED TO 1x3 BLADE, 7mm CLIP SLOT	23.0
1x2 RECEPTACLE MATED TO 1x2 BLADE, 40G CLIP SLOT	23.0
1x2 RECEPTACLE MATED TO 1x2 BLADE, 11mm CLIP SLOT	23.0
1x2 RECEPTACLE MATED TO 1x2 BLADE, 7mm CLIP SLOT	23.0
1.2mm CONNECTION SYSTEM CONFIGURATION	D

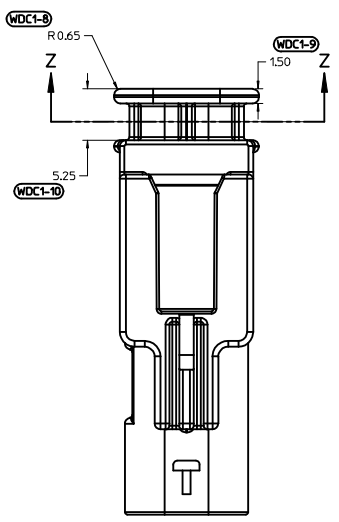
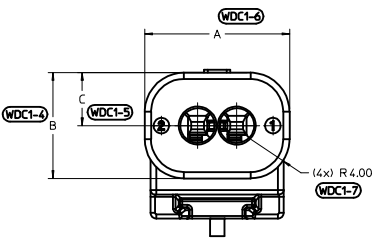
CHARTED DIMENSIONS

ENTER DESCRIPTION ELEC NO: UAU2016-1535 DRAWN/ANSI/AMBR01/2016/04/15 CHKD: APPR:VKOSHY 2016/04/15 REV:	QUALITY SYMBOLS	GENERAL TOLERANCES (UNLESS SPECIFIED)	DIMENSION STYLE	SCALE	DESIGN UNITS	THIRD ANGLE PROJECTION	
	▽=0	mm INCH	MM ONLY	6:1	METRIC	☉	
	▽=0	4 PLACES ± --- ± --- 3 PLACES ± --- ± --- 2 PLACES ± 0.10 ± --- 1 PLACE ± 0.20 ± --- 0 PLACE ± 0.50 ±	DRAWN BY DATE SKRA JENDRANA 2013/11/06	TITLE	12MM 1X2, 1X3 BLADE SEALED ASSEMBLY CABLE SEAL		
	▽=0	ANGULAR ± 3 ° DRAFT WHERE APPLICABLE MUST REMAIN WITHIN DIMENSIONS	CHECKED BY DATE	APPROVED BY DATE	MATERIAL NO.	DOCUMENT NO.	SHEET NO.
A14	SIZE D	SEE BOM	THIS DRAWING CONTAINS INFORMATION THAT IS PROPRIETARY TO MOLEX INCORPORATED AND SHOULD NOT BE USED WITHOUT WRITTEN PERMISSION	SD-34899-2001	6 OF 11		

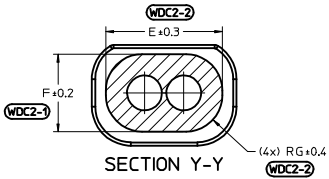


3 CIRCUIT	18.8	10.8	5.4	15.7	7.7	2.45
2 CIRCUIT	14.8	10.8	5.4	11.7	7.7	2.45
CONFIGURATION	A	B	C	E	F	G

CHARTED DIMENSIONS

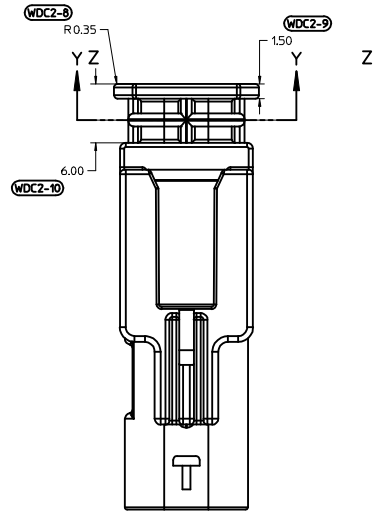
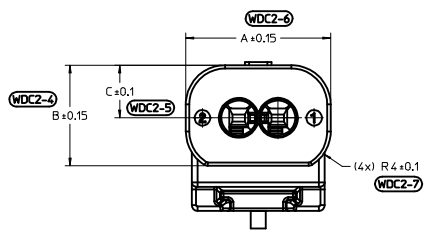


WIRE DRESS COVER
INTERFACE OPTION 1
WIRE DRESS COVERS
NOT AVAILABLE



3 CIRCUIT	18.8	10.8	5.4	15.9	7.9	3.7
2 CIRCUIT	14.8	10.3	5.4	11.9	7.9	3.7
CONFIGURATION	A	B	C	E	F	G

CHARTED DIMENSIONS



WIRE DRESS COVER
INTERFACE OPTION 2
BASED ON HIRSCHMANN INTERFACE
DRAWING 808-012-xxx REV B5

ENTER DESCRIPTION IEC NO. UAU2016-1535 DRAWING NO. AMBROU 2016/04/15 CHKD: APPR: VOSHY 2016/04/15 REV:	QUALITY SYMBOLS	GENERAL TOLERANCES (UNLESS SPECIFIED)	DIMENSION STYLE	SCALE	DESIGN UNITS	THIRD ANGLE PROJECTION
	▽=0	mm INCH	MM ONLY	4:1	METRIC	☉
	▽=0	4 PLACES ± --- ± ---	DRAWN BY SKRA JENDRANA 2013/11/06	DATE	TITLE	12MM 1X2, 1X3 BLADE SEALED ASSEMBLY CABLE SEAL
	▽=0	3 PLACES ± --- ± ---	CHECKED BY	DATE	APPROVED BY	DATE
	▽=0	2 PLACES ± 0.10 ± ---				
		1 PLACE ± 0.20 ± ---				
		0 PLACE ± 0.50 ±				
		ANGULAR ± 3 °	MATERIAL NO.	DOCUMENT NO.		SHEET NO.
		DRAFT WHERE APPLICABLE MUST REMAIN WITHIN DIMENSIONS	SEE TABLE	SD-34899-2001		7 OF 11
		SIZE D	THIS DRAWING CONTAINS INFORMATION THAT IS PROPRIETARY TO MOLEX INCORPORATED AND SHOULD NOT BE USED WITHOUT WRITTEN PERMISSION			

1x2 BLADE SEALED ASSEMBLY BOM
 FOR WIRE DRESS COVER INTERFACE 1
 REFER WIRE DRESS COVER INTERFACE SHEET
 FOR DETAILS

KEYING OPTION	DESCRIPTION	QTY	A	B	C	E	PRODUCTION TOOL STATUS	COMMENTS		
KEYING OPTION E, 11mm CLIP SLOT, STONE GRAY	34899-2043	1					E	CONCEPT		
KEYING OPTION C, 11mm CLIP SLOT, DARK GRAY	34899-2042	1					C	CONCEPT		
KEYING OPTION B, 11mm CLIP SLOT, LIGHT GRAY	34899-2041	1					B	CONCEPT		
KEYING OPTION A, 11mm CLIP SLOT, BLACK	34899-2040	1					A	CONCEPT		
KEYING OPTION E, 11mm CLIP SLOT, YELLOW	34899-2033	1					E	CONCEPT		
KEYING OPTION C, 11mm CLIP SLOT, YELLOW	34899-2032	1					C	CONCEPT		
KEYING OPTION B, 11mm CLIP SLOT, YELLOW	34899-2031	1					B	CONCEPT		
KEYING OPTION A, 11mm CLIP SLOT, YELLOW	34899-2030	1					A	CONCEPT		
KEYING OPTION E, 7mm CLIP SLOT, STONE GRAY	34899-2023	1					E	TOOLED BUT NOT VALIDATED		
KEYING OPTION C, 7mm CLIP SLOT, DARK GRAY	34899-2022	1					C	TOOLED BUT NOT VALIDATED		
KEYING OPTION B, 7mm CLIP SLOT, LIGHT GRAY	34899-2021	1					B	SALEABLE		
KEYING OPTION A, 7mm CLIP SLOT, BLACK	34899-2020	1					A	SALEABLE		
KEYING OPTION E, 7mm CLIP SLOT, YELLOW	34899-2013	1					E	TOOLED BUT NOT VALIDATED		
KEYING OPTION C, 7mm CLIP SLOT, YELLOW	34899-2012	1					C	TOOLED BUT NOT VALIDATED		
KEYING OPTION B, 7mm CLIP SLOT, YELLOW	34899-2011	1					B	SALEABLE		
KEYING OPTION A, 7mm CLIP SLOT, YELLOW	34899-2010	1					A	SALEABLE		
ASSEMBLY DESCRIPTION								WIRE DRESS COVER INTERFACE OPTION	PRODUCTION TOOL STATUS	COMMENTS

PLR	NATURAL	SPS/NYLON GF20
1x2 CONNECTOR HOUSING, KEYING OPTION E 11mm CLIP SLOT	STONE GRAY	SPS/NYLON GF20
1x2 CONNECTOR HOUSING, KEYING OPTION C 11mm CLIP SLOT	DARK GRAY	SPS/NYLON GF20
1x2 CONNECTOR HOUSING, KEYING OPTION B 11mm CLIP SLOT	LIGHT GRAY	SPS/NYLON GF20
1x2 CONNECTOR HOUSING, KEYING OPTION A 11mm CLIP SLOT	BLACK	SPS/NYLON GF20
1x2 CONNECTOR HOUSING, KEYING OPTION E 11mm CLIP SLOT	YELLOW	SPS/NYLON GF20
1x2 CONNECTOR HOUSING, KEYING OPTION C 11mm CLIP SLOT	YELLOW	SPS/NYLON GF20
1x2 CONNECTOR HOUSING, KEYING OPTION B 11mm CLIP SLOT	YELLOW	SPS/NYLON GF20
1x2 CONNECTOR HOUSING, KEYING OPTION A 11mm CLIP SLOT	YELLOW	SPS/NYLON GF20
1x2 CONNECTOR HOUSING, KEYING OPTION E 7mm CLIP SLOT	STONE GRAY	SPS/NYLON GF20
1x2 CONNECTOR HOUSING, KEYING OPTION C 7mm CLIP SLOT	DARK GRAY	SPS/NYLON GF20
1x2 CONNECTOR HOUSING, KEYING OPTION B 7mm CLIP SLOT	LIGHT GRAY	SPS/NYLON GF20
1x2 CONNECTOR HOUSING, KEYING OPTION A 7mm CLIP SLOT	BLACK	SPS/NYLON GF20
1x2 CONNECTOR HOUSING, KEYING OPTION E 7mm CLIP SLOT	YELLOW	SPS/NYLON GF20
1x2 CONNECTOR HOUSING, KEYING OPTION C 7mm CLIP SLOT	YELLOW	SPS/NYLON GF20
1x2 CONNECTOR HOUSING, KEYING OPTION B 7mm CLIP SLOT	YELLOW	SPS/NYLON GF20
1x2 CONNECTOR HOUSING, KEYING OPTION A 7mm CLIP SLOT	YELLOW	SPS/NYLON GF20

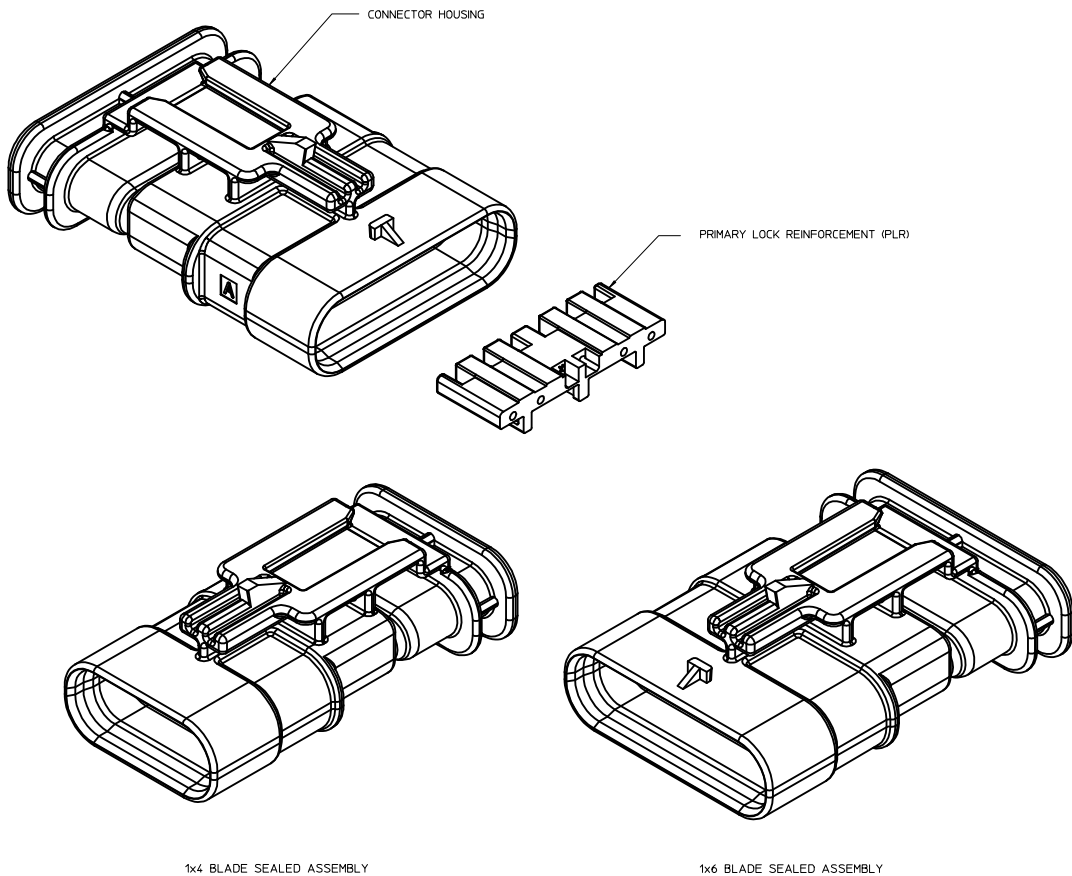
DESCRIPTION	COLOR	MATERIAL
BOM/APPLICABLE COMPONENTS TABLE		

ABBREVIATION	COMPONENT
A	CONNECTOR HOUSING KEYING OPTION A
B	CONNECTOR HOUSING KEYING OPTION B
C	CONNECTOR HOUSING KEYING OPTION C
E	CONNECTOR HOUSING KEYING OPTION E

ENTER DESCRIPTION ELEC NO. UAU2016-1535 DRAWING NO. AMB0012016/04/15 CHKD: APPR: VKOSHY 2016/04/15 REV:	QUALITY SYMBOLS ∇=0 ∇=0 ∇=0	GENERAL TOLERANCES (UNLESS SPECIFIED) mm INCH 4 PLACES ± --- ± --- 3 PLACES ± --- ± --- 2 PLACES ± 0.10 ± --- 1 PLACE ± 0.20 ± --- 0 PLACE ± 0.50 ±	DIMENSION STYLE MM ONLY SCALE 2:1 DESIGN UNITS METRIC THIRD ANGLE PROJECTION	DRAWN BY SKRAJENDRANA 2013/11/06 CHECKED BY DATE APPROVED BY DATE	TITLE 12MM 1X2, 1X3 BLADE SEALED ASSEMBLY CABLE SEAL molex	MATERIAL NO. SEE BOM DOCUMENT NO. SD-34899-2001	SHEET NO. 8 OF 11

TABLE OF CONTENTS

SHEET NO.	SHEET DESCRIPTION
1	NOTES
2	1x4 BLADE SEALED ASSEMBLY KEYING CONFIGURATIONS
3	1x6 BLADE SEALED ASSEMBLY KEYING CONFIGURATIONS
4	CLIP SLOT CONFIGURATIONS
5	BLADE SEALED ASSEMBLY
6	CONNECTION SYSTEM PACKAGING
7	WIRE DRESS COVER INTERFACE OPTIONS
8	1x4 BLADE SEALED ASSEMBLY BOM INTERFACE OPTION 1
9	1x4 BLADE SEALED ASSEMBLY BOM INTERFACE OPTION 2
10	1x6 BLADE SEALED ASSEMBLY BOM INTERFACE OPTION 1
11	1x6 BLADE SEALED ASSEMBLY BOM INTERFACE OPTION 2



NOTES: VALID UNLESS OTHERWISE SPECIFIED

1. GENERAL:
 a. APPLICATION SPECIFICATION SEE: AS-34900-0001
 CONTAINS: PRODUCT INTRODUCTION, PRODUCT SUMMARY, CONNECTOR ASSEMBLY, PACKAGING INFORMATION, CONNECTOR MATING, SERVICE INSTRUCTIONS, ELECTRICAL CONTINUITY CHECKING, CRIMPING, AND TROUBLESHOOTING.
 b. PRODUCT SPECIFICATION SEE: PS-34900-0001
 CONTAINS: PRODUCT INTRODUCTION, PRODUCT SUMMARY, RATINGS (CURRENT, TEMPERATURE, SEALING, AND FLAMMABILITY), AND PRODUCT VALIDATION.
 c. PACKAGING SPECIFICATION PER MOLEX DRAWING: PK-31301-898
 d. PARTS MUST BE IN COMPLIANCE TO MOLEX CHEMICAL SUBSTANCES FOR PRODUCTS AND PACKAGING SPECIFICATION: QEHS-699000-301
 e. DATA MUST BE SUBMITTED UNDER THE MOLEX PART NUMBER TO IMDS (COMPANY ID#13255)

2. DESIGN - MATERIALS:
 a. SEE BOM TABLE

3. DESIGN - GEOMETRY:
 a. THIS IS A 100% CAD GENERATED PART. THE CAD MATHEMATICAL DATA IS THE MASTER FOR THIS PART. FOR DIMENSIONAL OR ANY INFORMATION NOT SHOWN ON THIS DRAWING, ANALYZE THE CAD MODEL.
 b. GEOMETRIC DIMENSIONS AND TOLERANCES PER ASME Y14.5M - 1994
 c. EDGES AND UNDIMENSIONED DETAILS PER ISO13715
 d. CORNERS SHOWN AS SHARP TO BE R 0.2 MAX.
 e. LETTERING SHALL BE 0.15 MAX RAISED IN 0.25 MAX RECESS PAD. THIS INCLUDES RECYCLING CODE, CAVITY ID, VENDOR IDENTIFICATION, AND CUSTOMER MATERIAL NUMBER.
 f. VISUAL DEFECTS SHALL MEET COSMETIC STANDARD PS-45499-002 (Class B)

g. LASER MARKING:
 1. PART NUMBER
 2. DAY OF THE YEAR
 3. SHIFT
 4. YEAR

B15	UPDATED BALLOONS 2-1 & 2-2 ON SHEET 7
B14	UPDATED PARTS TO SALEABLE
B13	RELEASED PRIMARY KEYS NON-SIR SALEABLE
B12	UPDATED PLR LOCK UP GEOMETRY
B11	UPDATED WDC INTERFACE PART# TO TOOLED BUT NOT VALIDATED
B10	UPDATED TOLERANCES WDC FEATURES
B9	1X4, 1X6 PART # WIRE DRESS COVER INTERFACE FEATURES OK TO TOOL
B8	1X4 40G CLIP-SLOT OK TO TOOL
B7	1X4 PART # UPDATED TO 'TOOLED BUT NOT VALIDATED'
B6	ADDED 40G CLIP-SLOT PART NUMBERS
B5	BOM CORRECTIONS AND UPDATES
B4	BOM CORRECTIONS AND UPDATES
B3	1x4, 1x6 NON-SIR PART# OK TO TOOL
B2	1x6 11mm CLIP SLOT PART # OK TO TOOL
B1	1x6 11mm CLIP SLOT PART NUMBERS ADDED
B	ADDED 1x4 INFORMATION
A	OK TO TOOL
REV	DESCRIPTION

INSPECTION BALLOON NUMBER LOG

PER DRAWING REVISION: B12

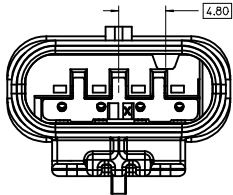
LAST BALLOON NUMBER USED: WDC2-10

ADDED BALLOON NUMBERS: WDC2-1 - WDC2-10

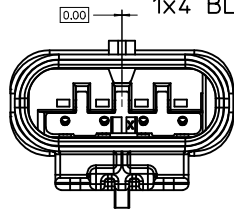
REMOVED BALLOON NUMBERS:

ENTER DESCRIPTION E.C. NO.: UAU2016-1803 DRAWN: KOWALSKI CHKD.: APPR: KOWALSKI DATE: 2016/06/01 2016/06/15 B15	QUALITY SYMBOLS ∇=0 ∇=0 ∇=0	GENERAL TOLERANCES (UNLESS SPECIFIED): mm INCH 4 PLACES ±--- ±--- 3 PLACES ±--- ±--- 2 PLACES ±0.10 ±--- 1 PLACE ±0.20 ±--- 0 PLACE ±0.50 ±--- ANGULAR ± 3 ° DRAFT WHERE APPLICABLE MUST REMAIN WITHIN DIMENSIONS	DIMENSION STYLE MM ONLY DRAWN BY: MYANSLAMBROU DATE: 2012/07/13 CHECKED BY: YKOSHY DATE: 2012/07/19 APPROVED BY: YKOSHY DATE: 2012/07/124	SCALE: 4:1 DESIGN UNITS: METRIC THIRD ANGLE PROJECTION	TITLE: 12MM 1X4, 1X6 BLADE SEALED ASSEMBLY CABLE SEAL molex DOCUMENT NO.: SD-34899-6001 SHEET NO.: 1 OF 11
	THIS DRAWING CONTAINS INFORMATION THAT IS PROPRIETARY TO MOLEX INCORPORATED AND SHOULD NOT BE USED WITHOUT WRITTEN PERMISSION				
	REMOVED BALLOON NUMBERS:				
	MATERIAL NO.: SEE BOM				

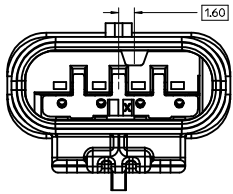
1x4 BLADE SEALED ASSEMBLY KEYING CONFIGURATIONS. FOR PART NUMBERS REFER TO BOM SHEET.



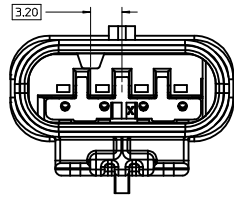
KEYING OPTION A



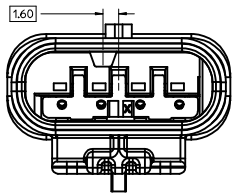
KEYING OPTION F



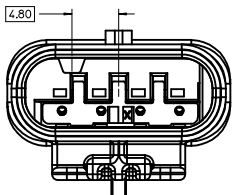
KEYING OPTION B



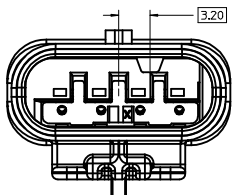
KEYING OPTION G



KEYING OPTION C



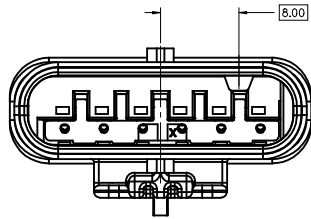
KEYING OPTION D



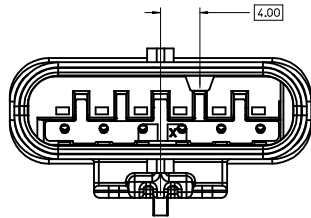
KEYING OPTION E

ENTER DESCRIPTION EC NO: UAU2016-1803 DRAWN: KOWALSKI 2016/06/07 CHKD: CHYD APPR: KOJEKSKI 2016/06/15 REVISIONS 1 2 3 4 5 6 7 8 9 10 11 12 13 14 15 16 17 18 19 20	QUALITY SYMBOLS ▽=0 ▽=0 ▽=0	GENERAL TOLERANCES (UNLESS SPECIFIED) mm INCH 4 PLACES ± --- ± --- 3 PLACES ± --- ± --- 2 PLACES ± 0.10 ± --- 1 PLACE ± 0.20 ± --- 0 PLACE ± 0.50 ± --- ANGULAR ± 3 ° DRAFT WHERE APPLICABLE MUST REMAIN WITHIN DIMENSIONS	DIMENSION STYLE MM ONLY DRAWN BY DATE MYANSLAMBROU 2012/07/13 CHECKED BY DATE VKOSHY 2012/07/19 APPROVED BY DATE VKOSHY 2012/07/24	SCALE 4:1 DESIGN UNITS METRIC THIRD ANGLE PROJECTION	TITLE 1.2MM 1X4, 1X6 BLADE SEALED ASSEMBLY CABLE SEAL molex	MATERIAL NO. SEE BOM DOCUMENT NO. SD-34899-6001	SHEET NO. 2 OF 11
	THIS DRAWING CONTAINS INFORMATION THAT IS PROPRIETARY TO MOLEX INCORPORATED AND SHOULD NOT BE USED WITHOUT WRITTEN PERMISSION						
	SIZE D						
	INCORPORATED AND SHOULD NOT BE USED WITHOUT WRITTEN PERMISSION						

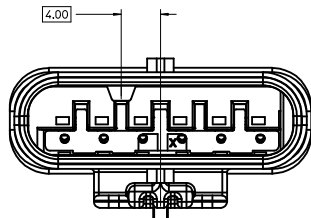
1x6 BLADE SEALED ASSEMBLY KEYING CONFIGURATIONS. FOR PART NUMBERS REFER TO BOM SHEET.



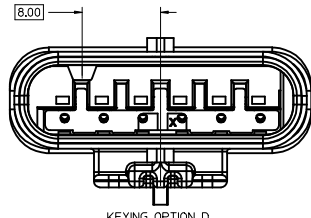
KEYING OPTION A



KEYING OPTION B



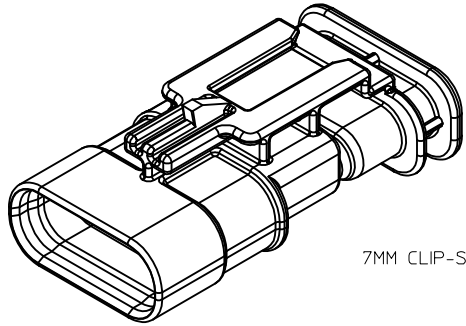
KEYING OPTION C



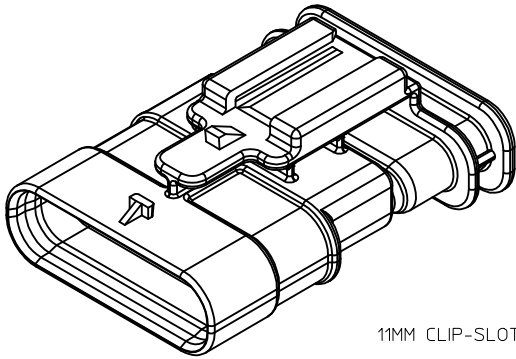
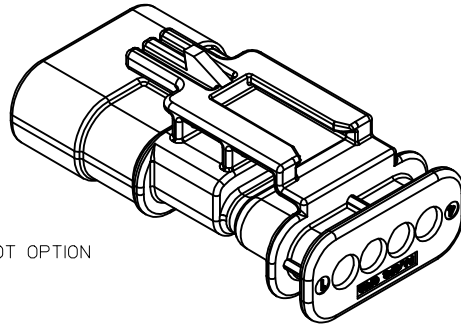
KEYING OPTION D

ENTER DESCRIPTION EC NO: UAU2016-1803 DRAWN: KOKOMALSKY 2016/06/07 CHKD: CHYD APPR: KOKOSKI 2016/06/15 REV: DESCRIPTION	QUALITY SYMBOLS ▽=0 ▽=0 ▽=0		GENERAL TOLERANCES (UNLESS SPECIFIED) <table border="1"> <thead> <tr> <th></th> <th>mm</th> <th>INCH</th> </tr> </thead> <tbody> <tr> <td>4 PLACES</td> <td>± 0.10</td> <td>± 0.004</td> </tr> <tr> <td>3 PLACES</td> <td>± 0.15</td> <td>± 0.005</td> </tr> <tr> <td>2 PLACES</td> <td>± 0.20</td> <td>± 0.008</td> </tr> <tr> <td>1 PLACE</td> <td>± 0.25</td> <td>± 0.010</td> </tr> <tr> <td>0 PLACE</td> <td>± 0.50</td> <td>± 0.020</td> </tr> </tbody> </table> ANGULAR ± 3 ° DRAFT WHERE APPLICABLE MUST REMAIN WITHIN DIMENSIONS			mm	INCH	4 PLACES	± 0.10	± 0.004	3 PLACES	± 0.15	± 0.005	2 PLACES	± 0.20	± 0.008	1 PLACE	± 0.25	± 0.010	0 PLACE	± 0.50	± 0.020	DIMENSION STYLE MM ONLY	DRAWN BY: MYANSLAMBROU DATE: 2012/07/13 CHECKED BY: VKOSHY DATE: 2012/07/19 APPROVED BY: VKOSHY DATE: 2012/07/24	SCALE: 4:1 DESIGN UNITS: METRIC THIRD ANGLE PROJECTION	TITLE: 12MM 1X4, 1X6 BLADE SEALED ASSEMBLY CABLE SEAL molex	MATERIAL NO.: SEE BOM DOCUMENT NO.: SD-34899-6001	SHEET NO.: 3 OF 11
		mm	INCH																									
	4 PLACES	± 0.10	± 0.004																									
	3 PLACES	± 0.15	± 0.005																									
2 PLACES	± 0.20	± 0.008																										
1 PLACE	± 0.25	± 0.010																										
0 PLACE	± 0.50	± 0.020																										
THIS DRAWING CONTAINS INFORMATION THAT IS PROPRIETARY TO MOLEX INCORPORATED AND SHOULD NOT BE USED WITHOUT WRITTEN PERMISSION																												
SIZE: D																												
THIS DRAWING CONTAINS INFORMATION THAT IS PROPRIETARY TO MOLEX INCORPORATED AND SHOULD NOT BE USED WITHOUT WRITTEN PERMISSION																												

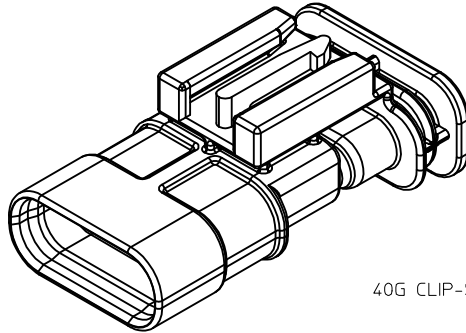
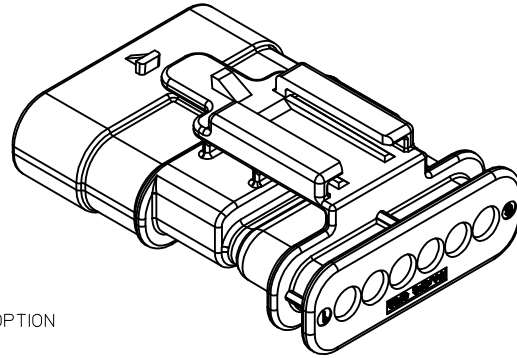
CLIP-SLOT CONFIGURATIONS. FOR PART NUMBERS REFER TO BOM SHEET.



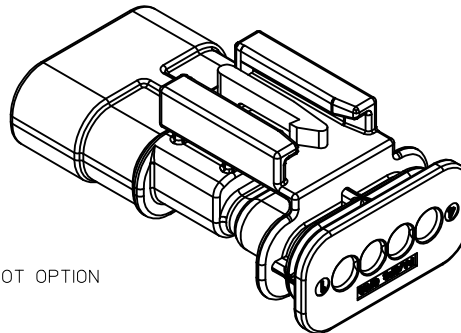
7MM CLIP-SLOT OPTION



11MM CLIP-SLOT OPTION

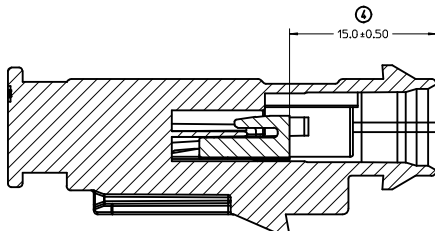
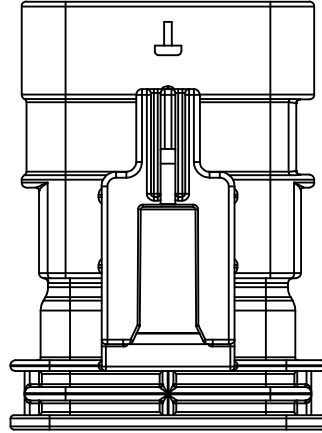
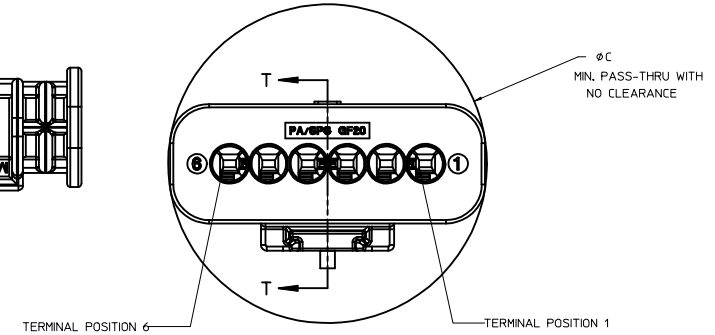
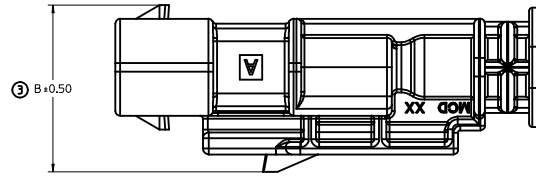
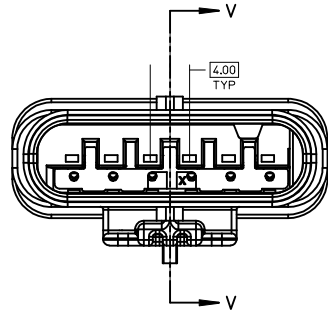
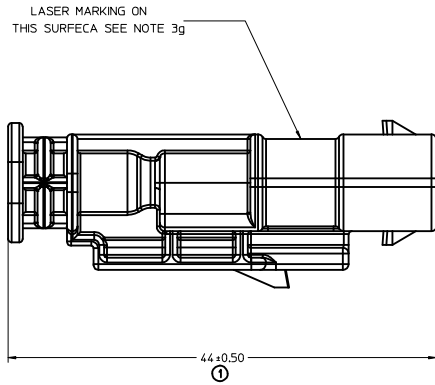


40G CLIP-SLOT OPTION



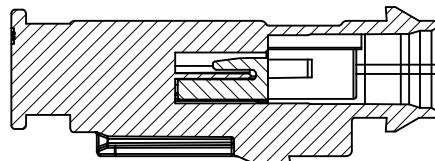
ENTER DESCRIPTION EC NO: UAU2016-1803 DRAWN BY: KOWALSKI CHKD: APPR: KIEKOSKI 2016/06/01 2016/06/15	QUALITY SYMBOLS	GENERAL TOLERANCES (UNLESS SPECIFIED)		DIMENSION STYLE	SCALE	DESIGN UNITS	THIRD ANGLE PROJECTION	
	▽=0	mm	INCH	MM ONLY	4:1	METRIC	☉	
	▽=0	4 PLACES ± ---	3 PLACES ± ---	DRAWN BY: MYANSLAMBROU	DATE: 2012/07/13	TITLE: 12MM 1X4, 1X6 BLADE SEALED ASSEMBLY CABLE SEAL		
	▽=0	2 PLACES ± 0.10	1 PLACE ± 0.20	CHECKED BY: VKOSHY	DATE: 2012/07/19			
	0 PLACE ± 0.50	ANGULAR ± 3 °		APPROVED BY: VKOSHY	DATE: 2012/07/24	molex		
	DRAFT WHERE APPLICABLE MUST REMAIN WITHIN DIMENSIONS		MATERIAL NO.	SEE BOM		DOCUMENT NO.	SHEET NO.	
						SD-34899-6001	4 OF 11	
	THIS DRAWING CONTAINS INFORMATION THAT IS PROPRIETARY TO MOLEX INCORPORATED AND SHOULD NOT BE USED WITHOUT WRITTEN PERMISSION							

BLADE SEALED ASSEMBLY



SECTION V-V

PRIMARY LOCK REINFORCEMENT (PLR) SHOWN IN THE PRE-STAGED POSITION



SECTION T-T

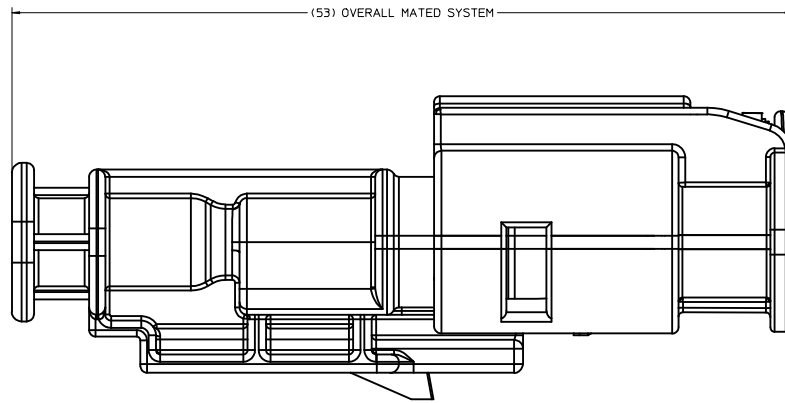
PRIMARY LOCK REINFORCEMENT (PLR) SHOWN IN THE FINAL-LOCK POSITION

1x6 BLADE SEALED ASSEMBLY, 40G CLIP SLOT	17.5	32.75
1x6 BLADE SEALED ASSEMBLY, 11mm CLIP SLOT	16	32.75
1x6 BLADE SEALED ASSEMBLY, 7mm CLIP SLOT	17.25	32.75
1x4 BLADE SEALED ASSEMBLY, 40G CLIP SLOT	17.5	25.25
1x4 BLADE SEALED ASSEMBLY, 11mm CLIP SLOT	16	24.75
1x4 BLADE SEALED ASSEMBLY, 7mm CLIP SLOT	17.25	24.75
CONFIGURATION	B	C

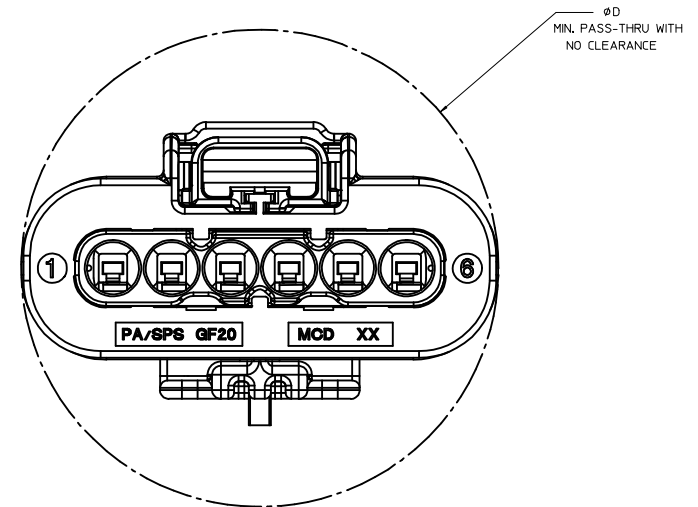
CHARTED DIMENSIONS

ENTER DESCRIPTION EC NO. UAU2016-1803 DRAWN: KOKALSKY 2016/06/01 CHKD: APPR: KOKOSKI 2016/06/15	QUALITY SYMBOLS	GENERAL TOLERANCES (UNLESS SPECIFIED)	DIMENSION STYLE	SCALE	DESIGN UNITS	THIRD ANGLE PROJECTION
	∇=0 ∇=0 ∇=0	mm INCH 4 PLACES ± --- ± --- 3 PLACES ± --- ± --- 2 PLACES ± 0.10 ± --- 1 PLACE ± 0.20 ± --- 0 PLACE ± 0.50 ±	MM ONLY	4:1	METRIC	
	DRAFT WHERE APPLICABLE MUST REMAIN WITHIN DIMENSIONS	ANGULAR ± 3 °	DRAWN BY DATE MYANSLAMBROU 2012/07/13 CHECKED BY DATE VKOSHY 2012/07/19 APPROVED BY DATE VKOSHY 2012/07/24	MATERIAL NO. SEE BOM	DOCUMENT NO. SD-34899-6001	SHEET NO. 5 OF 11
	TITLE 12MM 1X4, 1X6 BLADE SEALED ASSEMBLY CABLE SEAL 					

CONNECTION SYSTEM PACKAGING



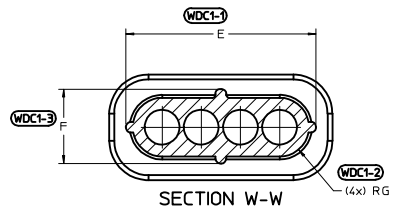
MODEL USED 'AM-120-S-006-1-Z01'



1x6 RECEPTACLE MATED TO 1x6 BLADE, 40 CLIP SLOT	TBD
1x6 RECEPTACLE MATED TO 1x6 BLADE, 11mm CLIP SLOT	33.5
1x6 RECEPTACLE MATED TO 1x6 BLADE, 7mm CLIP SLOT	33.5
1x4 RECEPTACLE MATED TO 1x4 BLADE, 40G CLIP SLOT	25.50
1x4 RECEPTACLE MATED TO 1x4 BLADE, 11mm CLIP SLOT	25.50
1x4 RECEPTACLE MATED TO 1x4 BLADE, 7mm CLIP SLOT	25.50
1.2mm CONNECTION SYSTEM CONFIGURATION	D

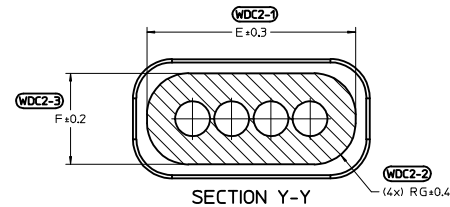
CHARTED DIMENSIONS

ENTER DESCRIPTION EC NO: UAU2016-1803 DRAWN: KOMALSKY 2016/06/01 CHKD: APPR: KOEKOGLI 2016/06/15 REV: DESCRIPTION	QUALITY SYMBOLS	GENERAL TOLERANCES (UNLESS SPECIFIED)	DIMENSION STYLE	SCALE	DESIGN UNITS	THIRD ANGLE PROJECTION
	▽=0	mm INCH	MM ONLY	6:1	METRIC	☉
	▽=0	4 PLACES ± --- ± ---	DRAWN BY MYANSLAMBROU 2012/07/13	DATE	TITLE	12MM 1X4, 1X6 BLADE SEALED ASSEMBLY CABLE SEAL
	▽=0	3 PLACES ± --- ± ---	CHECKED BY VKOSHY 2012/07/19	DATE		
	ANGULAR ± 3 °	1 PLACE ± 0.10 ± ---	APPROVED BY VKOSHY 2012/07/24	DATE		
	DRAFT WHERE APPLICABLE MUST REMAIN WITHIN DIMENSIONS	0 PLACE ± 0.20 ± ---	MATERIAL NO. SEE BOM		DOCUMENT NO. SD-34899-6001	SHEET NO. 6 OF 11
		± 0.50 ±	SIZE D	THIS DRAWING CONTAINS INFORMATION THAT IS PROPRIETARY TO MOLEX INCORPORATED AND SHOULD NOT BE USED WITHOUT WRITTEN PERMISSION		



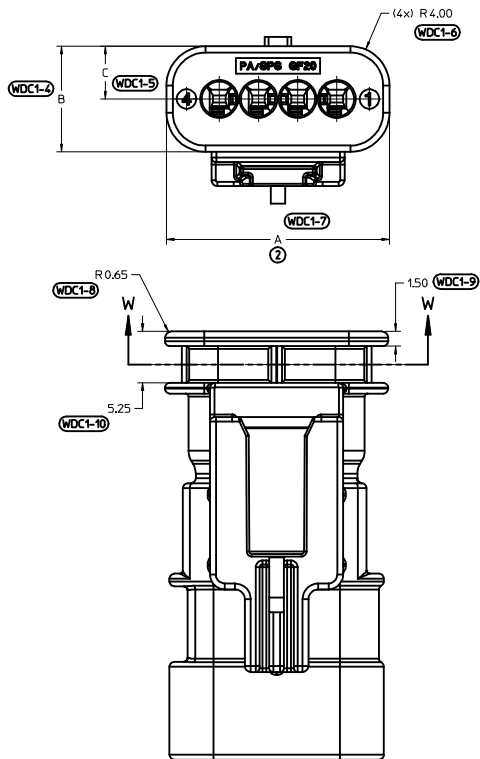
6 CIRCUIT	30.8	10.8	5.4	27.4	7.6	3.0
4 CIRCUIT	22.8	10.8	5.4	19.4	7.6	3.0
CONFIGURATION	A	B	C	E	F	G

CHARTED DIMENSIONS

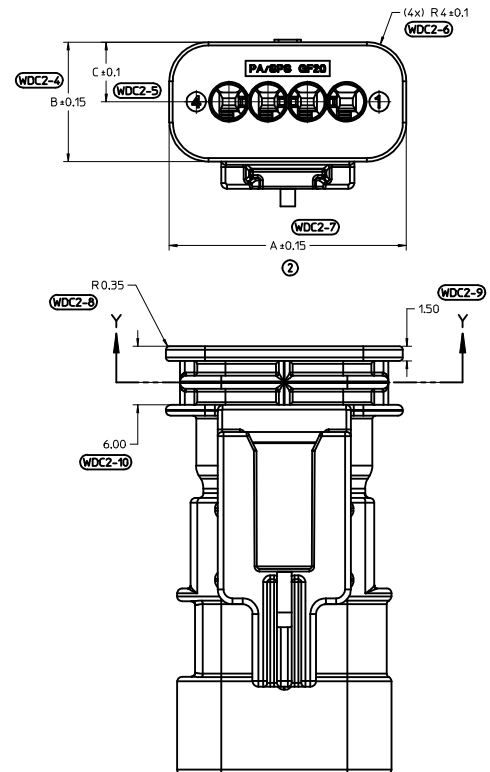


6 CIRCUIT	32.2	12.2	6.1	29.3	9.3	4.2
4 CIRCUIT	24.2	12.2	6.1	21.3	9.3	4.2
CONFIGURATION	A	B	C	E	F	G

CHARTED DIMENSIONS



WIRE DRESS COVER
INTERFACE OPTION 1
WIRE DRESS COVERS
NOT AVAILABLE

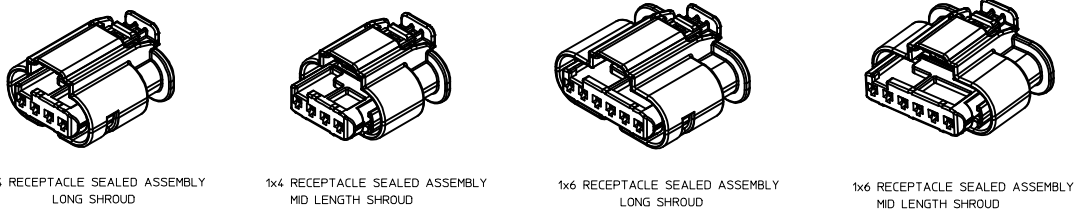
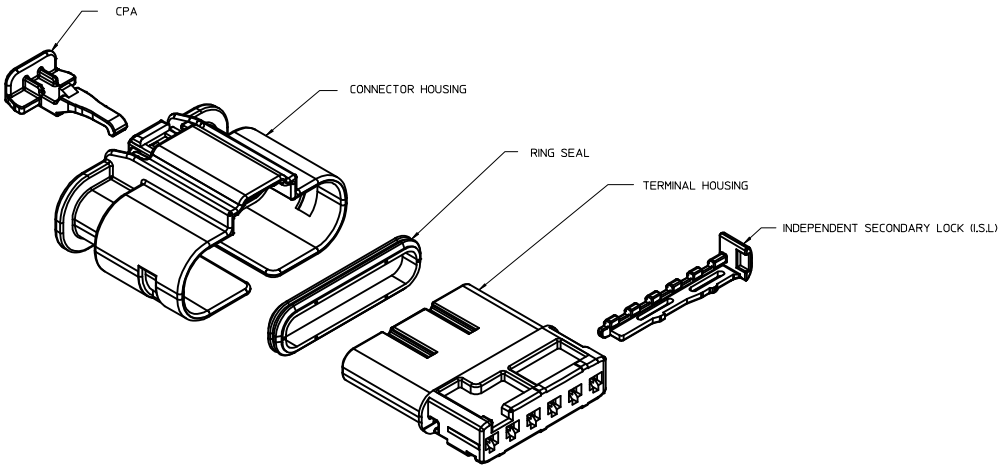


WIRE DRESS COVER
INTERFACE OPTION 2
BASED ON HIRSCHMANN INTERFACE
DRAWING 808-012-xxx REV B5

ENTER DESCRIPTION EC NO. UAU2016-1803 DRAWN BY KOWALSKI 2016/06/01 CHKD: APPR: KOKOSKI 2016/06/15 REV:	QUALITY SYMBOLS	GENERAL TOLERANCES (UNLESS SPECIFIED)	DIMENSION STYLE	SCALE	DESIGN UNITS	THIRD ANGLE PROJECTION	
	▽=0	4 PLACES ± mm ± INCH	MM ONLY	4:1	METRIC	☉	
	▽=0	3 PLACES ± 0.10 ± 0.004					
	▽=0	2 PLACES ± 0.20 ± 0.008					
		0 PLACE ± 0.50 ± 0.020					
		ANGULAR ± 3 °					
		DRAFT WHERE APPLICABLE MUST REMAIN WITHIN DIMENSIONS					
			MATERIAL NO.	DOCUMENT NO.			
			SEE TABLE	SD-34899-6001			
						SHEET NO. 7 OF 11	
			THIS DRAWING CONTAINS INFORMATION THAT IS PROPRIETARY TO MOLEX INCORPORATED AND SHOULD NOT BE USED WITHOUT WRITTEN PERMISSION				

TABLE OF CONTENTS

SHEET NO.	SHEET DESCRIPTION
1	NOTES
2	1x4 RECEPTACLE SEALED ASSEMBLY KEYING CONFIGURATIONS
3	1x6 RECEPTACLE SEALED ASSEMBLY KEYING CONFIGURATIONS
4	RECEPTACLE SEALED ASSEMBLY
5	1x4 RECEPTACLE SEALED ASSEMBLY BOM SHEET
6	1x6 RECEPTACLE SEALED ASSEMBLY BOM SHEET



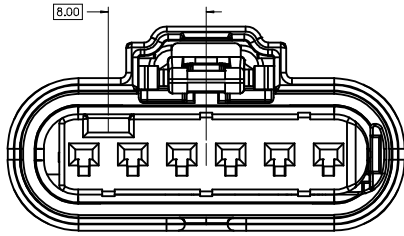
NOTES: VALID UNLESS OTHERWISE SPECIFIED

1. GENERAL:
 - a. APPLICATION SPECIFICATION SEE: AS-34900-0001
CONTAINS: PRODUCT INTRODUCTION, PRODUCT SUMMARY, CONNECTOR ASSEMBLY, PACKAGING INFORMATION, CONNECTOR MATING, SERVICE INSTRUCTIONS, ELECTRICAL CONTINUITY CHECKING, CRIMPING, AND TROUBLESHOOTING.
 - b. PRODUCT SPECIFICATION SEE: PS-34900-0001
CONTAINS: PRODUCT INTRODUCTION, PRODUCT SUMMARY, APPROVED TERMINALS, SINGLE WIRE SEALS, RATINGS (CURRENT, TEMPERATURE, SEALING, AND FLAMMABILITY), AND PRODUCT VALIDATION.
 - c. PACKAGING SPECIFICATION PER MOLEX DRAWING: PK-31301-898
 - d. PARTS MUST BE IN COMPLIANCE TO MOLEX CHEMICAL SUBSTANCES FOR PRODUCTS AND PACKAGING SPECIFICATION ES-40000-5016
 - e. DATA MUST BE SUBMITTED UNDER THE MOLEX PART NUMBER TO IMDS (COMPANY ID#13235)
 - f. DESIGNED TO MATE WITH DEVICE CONNECTION AS SPECIFIED IN BOM CHART USCAR INTERFACE DRAWINGS AND MODELS ARE AVAILABLE AT <http://ewcap.uscarteams.org/>.
2. DESIGN - MATERIALS:
 - a. SEE BOM TABLE
3. DESIGN - GEOMETRY:
 - a. THIS IS A 100% CAD GENERATED PART. THE CAD MATHEMATICAL DATA IS THE MASTER FOR THIS PART. FOR DIMENSIONAL OR ANY INFORMATION NOT SHOWN ON THIS DRAWING, ANALYZE THE CAD MODEL.
 - b. GEOMETRIC DIMENSIONS AND TOLERANCES PER ASME Y14.5M - 1994
 - c. EDGES AND UNDIMENSIONED DETAILS PER ISO13715
 - d. CORNERS SHOWN AS SHARP TO BE R 0.2 MAX
 - e. LETTERING SHALL BE 0.15 MAX RAISED IN 0.25 MAX RECESS PAD. THIS INCLUDES RECYCLING CODE, CAVITY ID, VENDOR IDENTIFICATION, AND CUSTOMER MATERIAL NUMBER.
 - f. VISUAL DEFECTS SHALL MEET COSMETIC STANDARD PS-45499-002 (Class B) CAD MODEL
- g. LASER MARKING:
 1. PART NUMBER
 2. DAY OF THE YEAR
 3. SHIFT
 4. YEAR

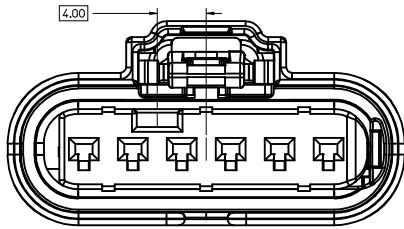
A12	RELEASE ALL KEYS SALEABLE
A11	RELEASE NON SIR SALEABLE
A10	PART #'S WITH NEW LATCH DESIGN SALEABLE
A9	PART #'S WITH NEW LATCH DESIGN SALEABLE
A8	ADDED NEW PART NUMBERS FOR LATCH IMPROVEMENT PARTS
A7	UPDATED 34900-6012 AND 34900-6012 TO SALEBLE
A6	UPDATED SHROUD LENGTH DIMENSION SCHEME
A5	BOM CORRECTIONS AND UPDATES
A4	BOM CORRECTIONS AND UPDATES
A3	NON SIR PART# OK TO TOOL
A2	BOM UPDATES FOR NON-SIR PART #
A1	1X6 MID LENGTH SHROUD OK TO TOOL
A	1X4 INLINE VIEWS ADDED
1	INITIAL RELEASE
REV	DESCRIPTION

ENTER DESCRIPTION ELC NO: UAU2016-1730 DRAWN: PATE01 2016/05/23 CHKD: APPR: KOKOSKI 2016/05/31	QUALITY SYMBOLS ∇=0 ∇=0 ∇=0	GENERAL TOLERANCES (UNLESS SPECIFIED) mm INCH 4 PLACES ± --- ± --- 3 PLACES ± --- ± --- 2 PLACES ± 0.10 ± --- 1 PLACE ± 0.20 ± --- 0 PLACE ± 0.50 ± --- ANGULAR ± 3 ° DRAFT WHERE APPLICABLE MUST REMAIN WITHIN DIMENSIONS	DIMENSION STYLE MM ONLY	DRAWN BY: MYANSLAMBROU 2012/05/03 DATE:	TITLE: 12MM 1X4, 1X6 RECPT. SEALED ASSEMBLY CABLE SEAL molex
				CHECKED BY: DATE:	
THIS DRAWING CONTAINS INFORMATION THAT IS PROPRIETARY TO MOLEX INCORPORATED AND SHOULD NOT BE USED WITHOUT WRITTEN PERMISSION					SHEET NO. 1 OF 6

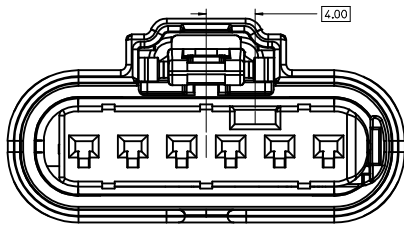
1x6 RECEPTACLE SEALED ASSEMBLY KEYING CONFIGURATIONS. FOR PART NUMBERS REFER TO BOM SHEET.



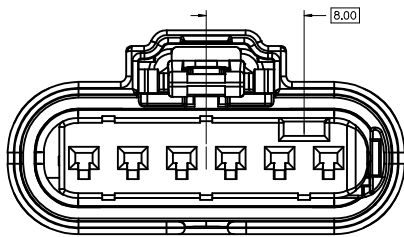
KEYING OPTION A



KEYING OPTION B



KEYING OPTION C



KEYING OPTION D

SEE SHEET 1 DEC NO: UAU2016-1730 DRAWN/PATE01 2016/05/23 CHKD: APPR:KIEKOSKI 2016/05/31 REV: DESCRIPTION	QUALITY SYMBOLS ▽=0 ▽=0 ▽=0		GENERAL TOLERANCES (UNLESS SPECIFIED) mm INCH 4 PLACES ± --- ± --- 3 PLACES ± --- ± --- 2 PLACES ± 0.10 ± --- 1 PLACE ± 0.20 ± --- 0 PLACE ± 0.50 ±		DIMENSION STYLE MM ONLY DRAWN BY DATE MYANSLAMBROU 2012/05/03 CHECKED BY DATE		SCALE 5:1 DESIGN UNITS METRIC THIRD ANGLE PROJECTION		TITLE 12MM 1X4, 1X6 RECPT. SEALED ASSEMBLY CABLE SEAL	
	ANGULAR ± 3 ° DRAFT WHERE APPLICABLE MUST REMAIN WITHIN DIMENSIONS		APPROVED BY DATE GGA 2012/12/13		MATERIAL NO. SEE BOM		DOCUMENT NO. SD-34900-6001		SHEET NO. 3 OF 6	
	THIS DRAWING CONTAINS INFORMATION THAT IS PROPRIETARY TO MOLEX INCORPORATED AND SHOULD NOT BE USED WITHOUT WRITTEN PERMISSION									
	SIZE D									