



Chipsmall Limited consists of a professional team with an average of over 10 year of expertise in the distribution of electronic components. Based in Hongkong, we have already established firm and mutual-benefit business relationships with customers from,Europe,America and south Asia,supplying obsolete and hard-to-find components to meet their specific needs.

With the principle of “Quality Parts,Customers Priority,Honest Operation,and Considerate Service”,our business mainly focus on the distribution of electronic components. Line cards we deal with include Microchip,ALPS,ROHM,Xilinx,Pulse,ON,Everlight and Freescale. Main products comprise IC,Modules,Potentiometer,IC Socket,Relay,Connector.Our parts cover such applications as commercial,industrial, and automotives areas.

We are looking forward to setting up business relationship with you and hope to provide you with the best service and solution. Let us make a better world for our industry!



Contact us

Tel: +86-755-8981 8866 Fax: +86-755-8427 6832

Email & Skype: info@chipsmall.com Web: www.chipsmall.com

Address: A1208, Overseas Decoration Building, #122 Zhenhua RD., Futian, Shenzhen, China



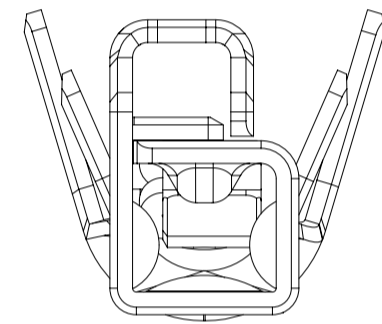
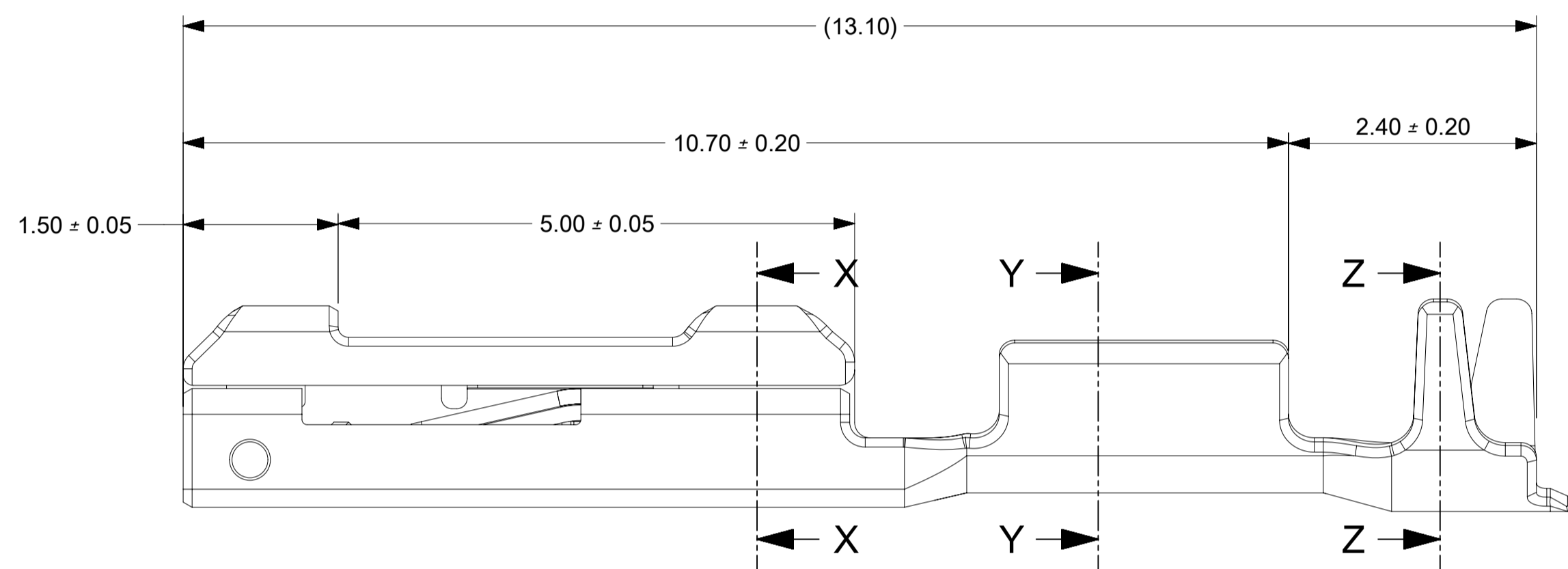
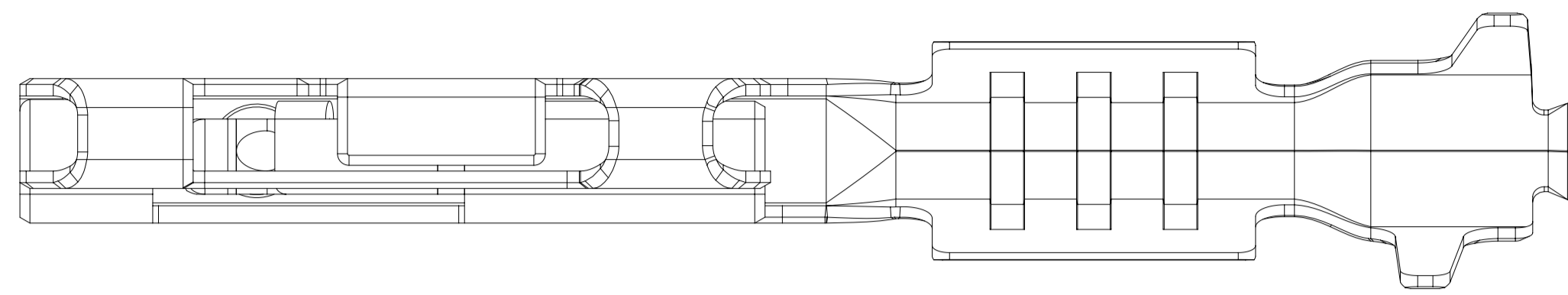
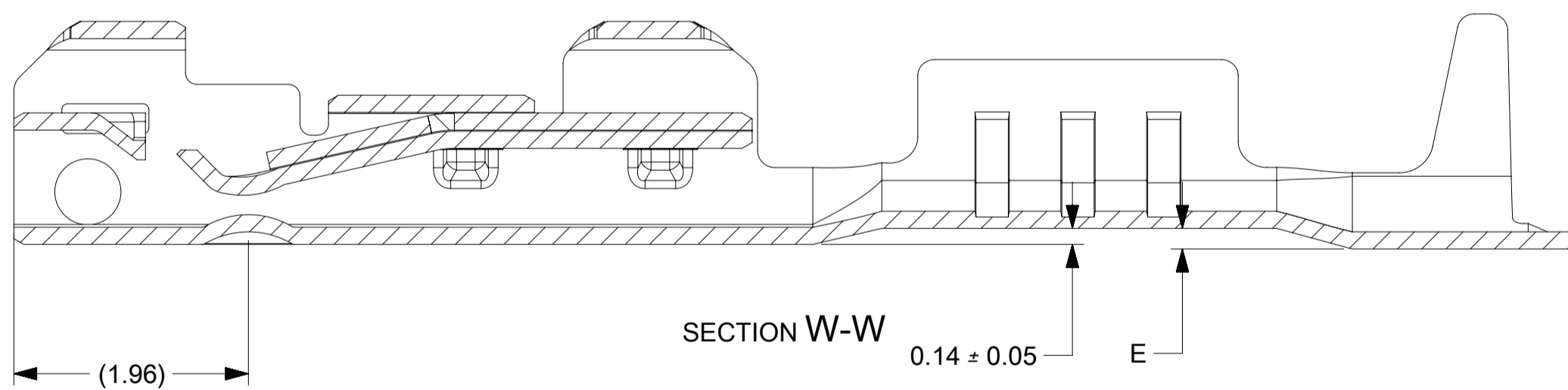
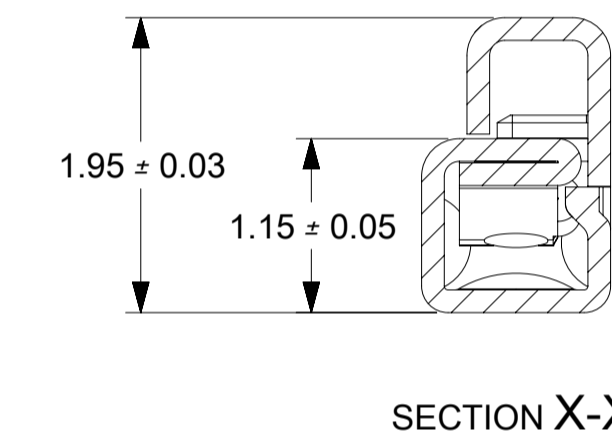
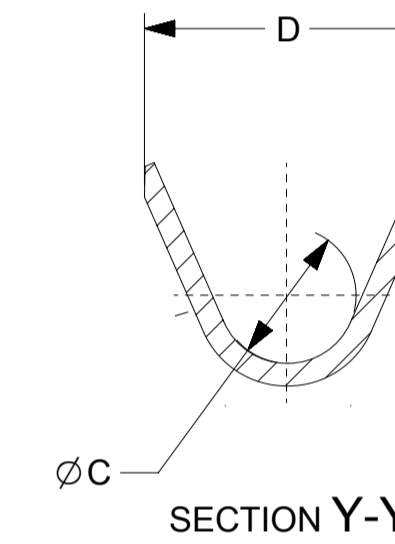
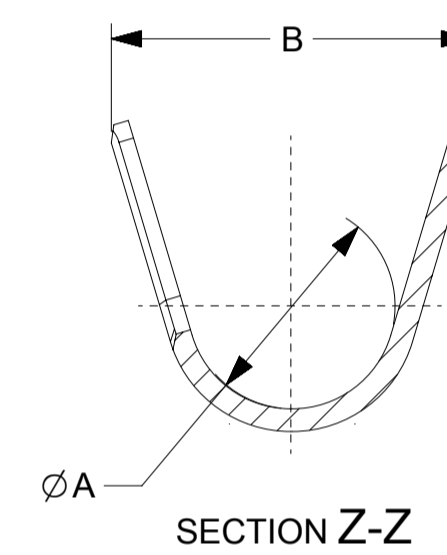
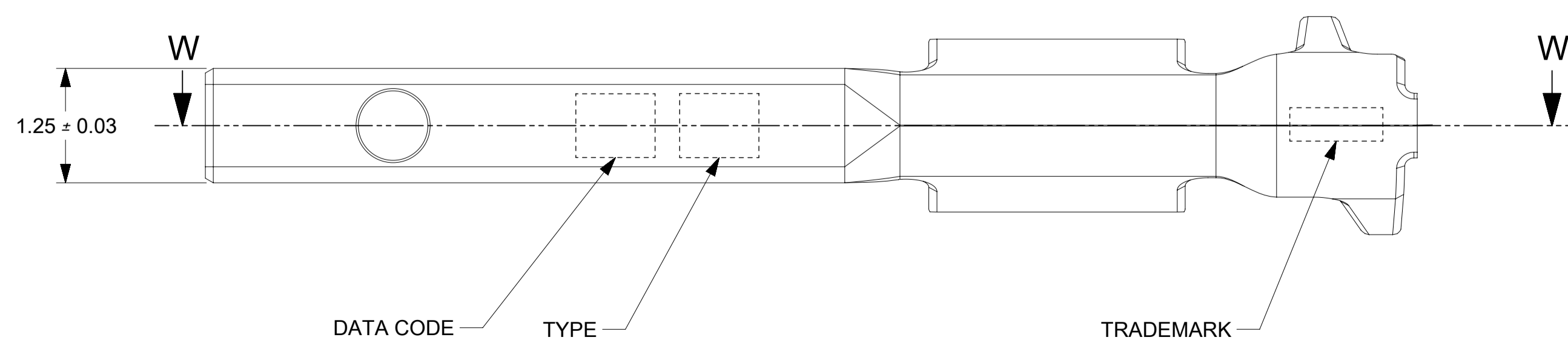
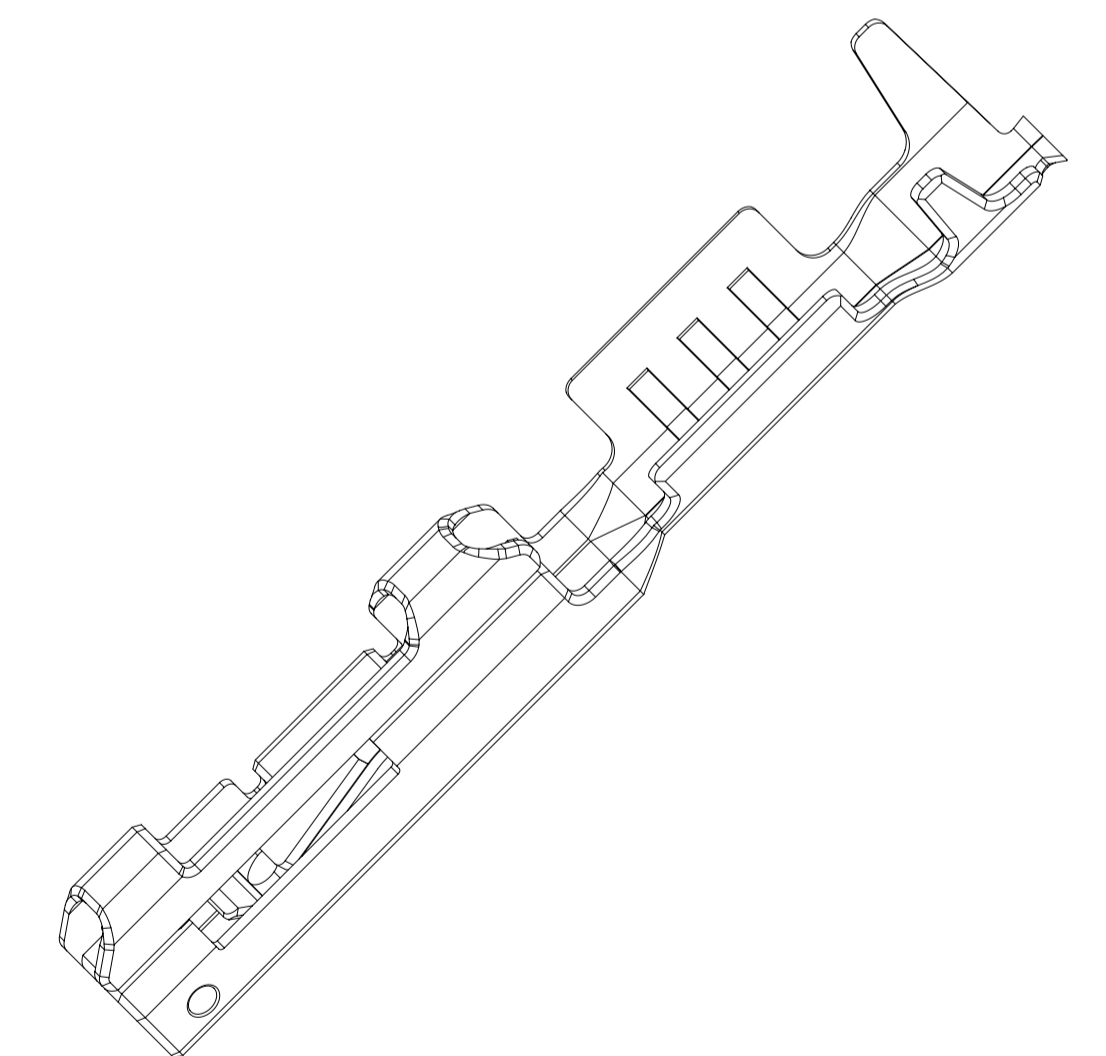


TABLE 1											
Part Number	Marking Type	Top Layer Plating Type	Grip Code	Wire Insulation OD - mm	Wire Size - mm ²	Pay Off Direction	Dimensions - mm				
							Dim A ± 0.10	Dim B ± 0.20	Dim C ± 0.10	Dim D	Dim E ± 0.05
34905-3443	LH	Ag	L	1.2-1.4	0.35	D	1.36	2.35	0.90	1.88 ± 0.20	0.18
34905-2443	L	Sn									
34905-3444	SH	Ag	S	0.95-1.05	0.13	D	0.82	1.90	0.68	1.30 ± 0.15	0.00
34905-2444	S	Sn									



NOTES: (UNLESS OTHERWISE SPECIFIED)

1. MATERIAL: COPPER ALLOY
2. PLATING: SEE TABLE 1
3. PACKAGING SPEC: PK-31301-319
4. CRIMPING SPEC: AS-34905-001
5. PROBING THE CONTACT INTERFACE OF THE TERMINAL OR AT ANY POINT ON THE TERMINAL BEAM IS NOT PERMITTED



THIS DRAWING CONTAINS INFORMATION THAT IS PROPRIETARY TO MOLEX ELECTRONIC TECHNOLOGIES, LLC AND SHOULD NOT BE USED WITHOUT WRITTEN PERMISSION													
QUALITY SYMBOLS	2017/02/21	2017/03/30	GENERAL TOLERANCES (UNLESS SPECIFIED)		DIMENSION UNITS	SCALE							
			ANGULAR TOL ± °		MM	20:1							
□ = 0 ▽ = 0 ▽ = 0 ▽ = 0 ▽ = 0 ▽ = 0 ▽ = 0 ▽ = 0 ▽ = 0 ▽ = 0	EC NO: 115118	DRWN: SJAZRAWI	CHKD: YLEPOTTIER	APPR: YLEPOTTIER	DRWN BY	DATE					CTX50 S RCPT TERM PRODUCT CUSTOMER DRAWING		
4 PLACES ± 3 PLACES ± 2 PLACES ± 1 PLACE ± 0 PLACES ±	A1	A1	A1	A1	SJAZRAWI	2016/07/13	SERIES	MATERIAL NUMBER	CUSTOMER	34905 349050400	DOC TYPE PSD	DOC PART 000	SHEET NUMBER 1 OF 1
DRAFT WHERE APPLICABLE MUST REMAIN WITHIN DIMENSIONS													