



Chipsmall Limited consists of a professional team with an average of over 10 year of expertise in the distribution of electronic components. Based in Hongkong, we have already established firm and mutual-benefit business relationships with customers from,Europe,America and south Asia,supplying obsolete and hard-to-find components to meet their specific needs.

With the principle of “Quality Parts,Customers Priority,Honest Operation,and Considerate Service”,our business mainly focus on the distribution of electronic components. Line cards we deal with include Microchip,ALPS,ROHM,Xilinx,Pulse,ON,Everlight and Freescale. Main products comprise IC,Modules,Potentiometer,IC Socket,Relay,Connector.Our parts cover such applications as commercial,industrial, and automotives areas.

We are looking forward to setting up business relationship with you and hope to provide you with the best service and solution. Let us make a better world for our industry!



## Contact us

Tel: +86-755-8981 8866 Fax: +86-755-8427 6832

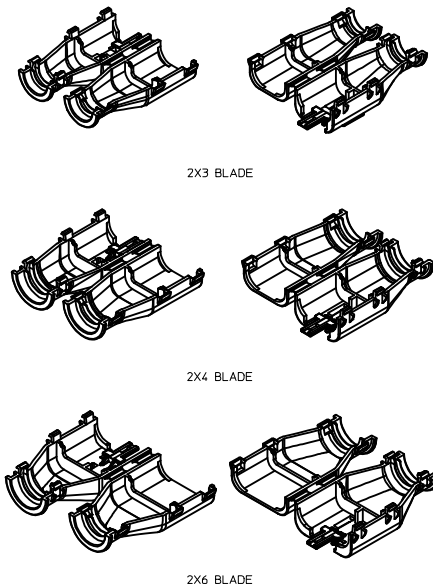
Email & Skype: info@chipsmall.com Web: www.chipsmall.com

Address: A1208, Overseas Decoration Building, #122 Zhenhua RD., Futian, Shenzhen, China



TABLE OF CONTENTS	
SHEET NO.	SHEET DESCRIPTION
1	NOTES AND BOM
2	CONFIGURATIONS
3	BACKSHELL DETAIL

BILL OF MATERIALS (BOM)				
PART NUMBER	CIRCUIT SIZE	RIBS	STATUS	MATING ASSEMBLY DRAWING
34950-0610	2X3	YES	SALEABLE	SD-33482-061
34950-0620	2X3	NO	SALEABLE	SD-33482-061
34950-0810	2X4	YES	DESIGN CONCEPT	SD-33482-081
34950-0820	2X4	NO	DESIGN CONCEPT	SD-33482-081
34950-1210	2X6	YES	SALEABLE	SD-33482-121
34950-1220	2X6	NO	SALEABLE	SD-33482-121



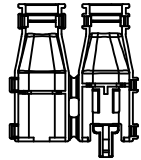
BACKSHELL NOTES: VALID UNLESS OTHERWISE SPECIFIED

1. GENERAL:
  - a. APPLICATION SPECIFICATION SEE: AS-34951-001
    - DESIGNED TO MATE WITH RECEPTACLE SEALED ASSEMBLY AS SPECIFIED IN BOM
    - COMPONENTS ARE OPTIONAL AND MUST BE PURCHASED SEPERATELY
    - BACKSHELL DESIGN IS OWNED BY SCHLEMMER
  - b. PRODUCT SPECIFICATION
    - THESE PRODUCTS ARE ONE TIME USE ONLY.
    - REMOVAL FORCE OF THE BACKSHELL FROM THE MOLEX CONNECTOR TO BE 100N MIN.
    - REMOVAL FORCE OF SLIT CONVOLUTE FROM THE WITH RIB OPTION BACKSHELLS TO BE 100N MIN.
    - REMOVAL FORCE OF UNSLIT CONVOLUTE FROM THE WITH RIB OPTION BACKSHELLS TO BE 100N MIN.
  - c. PACKAGING SPECIFICATION SEE PK-31302-118
  - d. PARTS MUST BE IN COMPLIANCE TO MOLEX CHEMICAL SUBSTANCES FOR PRODUCTS AND PACKAGING SPECIFICATION: OEHS-699000-300
  - e. DATA MUST BE SUBMITTED UNDER THE MOLEX PART NUMBER TO IMDS (COMPANY ID#13255)
  - f. FOLLOWING PRODUCTION CODES TO BE PRESENT
    - DATE CODE
    - MOLD CAVITY CODE
    - MOLEX LOGO
    - RECYCLE CODE
    - SUPPLIER PART NUMBER
2. DESIGN - MATERIALS:
  - a. PA66 0% GLASS FILLED
  - b. BLACK
3. DESIGN GEOMETRY:
  - a. THIS IS A 100% CAD GENERATED PART. THE CAD MATHEMATICAL DATA IS THE MASTER FOR THIS PART. FOR DIMENSIONAL OR ANY INFORMATION NOT SHOWN ON THIS DRAWING, ANALYZE THE CAD MODEL.
  - b. GEOMETRIC DIMENSIONS AND TOLERANCES PER ASME Y14.5M - 2009
  - c. CORNERS SHOWN AS SHARP TO BE R 0.1.
  - d. VISUAL DEFECTS SHALL MEET COSMETIC STANDARD PS-45499-002 (CLASS B).
  - e. DRAFT OF 2° PRESENT.
  - f. ALLOWABLE FLASH, PARTING LINES MISMATCH, EJECTOR PINS MARK, AND GATE VESTIGE TO BE +0.30 MAX PROTUSION.

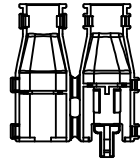
A6	UPDATED BILL OF MATERIALS
A5	UPDATED STATUS COLUMN
A4	MINOR NOMENCLATURE CLEAN UP
A3	UPDATED VIEWSET & NOTES
A2	UPDATED REFERENCE DRAWINGS
A1	UPDATED NOTES
A	INITIAL RELEASE
REV	DESCRIPTION

<b>ENTER DESCRIPTION</b> IEC NO. UAU2015-1693 DRAWN BY GORUSZENSKI, 2015/05/11 CHKD: CHYK APPR: VKOSHY 2015/05/12	<b>QUALITY SYMBOLS</b> ∇=0 ∇=0 ∇=0	<b>GENERAL TOLERANCES (UNLESS SPECIFIED)</b>		<b>DIMENSION STYLE</b> <b>MM ONLY</b>		SCALE <b>1:1</b>	DESIGN UNITS <b>METRIC</b>	THIRD ANGLE PROJECTION
		4 PLACES ± 0.1 3 PLACES ± 0.15 2 PLACES ± 0.2 1 PLACE ± 0.3 0 PLACE ± 0.4	mm    INCH ± 0.1   ± 0.15 ± 0.15   ± 0.2 ± 0.2   ± 0.3 ± 0.3   ± 0.4	DRAWN BY DAHALL	DATE 2013/03/19	CHECKED BY DATE	APPROVED BY VKOSHY	DATE 2013/04/08
<b>A6</b>	<b>REV</b>	ANGULAR ± 3° DRAFT WHERE APPLICABLE MUST REMAIN WITHIN DIMENSIONS		MATERIAL NO. <b>SEE BOM</b>		DOCUMENT NO. <b>SD-34950-0001</b>	SHEET NO. <b>1 OF 3</b>	
THIS DRAWING CONTAINS INFORMATION THAT IS PROPRIETARY TO MOLEX INCORPORATED AND SHOULD NOT BE USED WITHOUT WRITTEN PERMISSION								

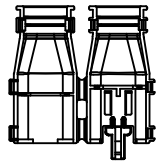
CONFIGURATIONS



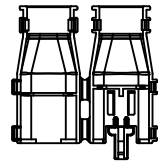
34950-0610  
2X3 BLADE WITH RIBS



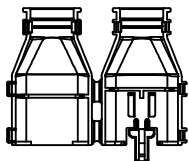
34950-0620  
2X3 BLADE WITHOUT RIBS



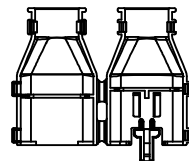
34950-0810  
2X4 BLADE WITH RIBS



34950-0820  
2X4 BLADE WITHOUT RIBS



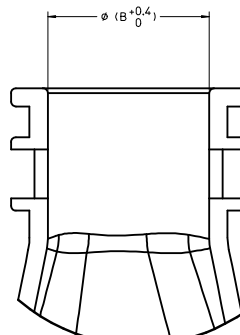
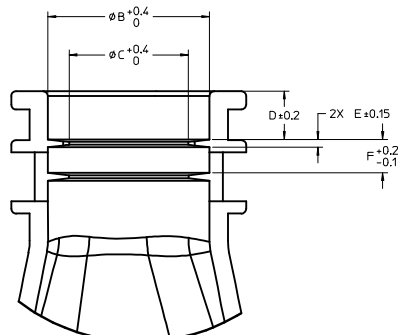
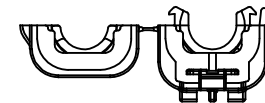
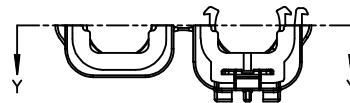
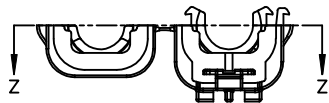
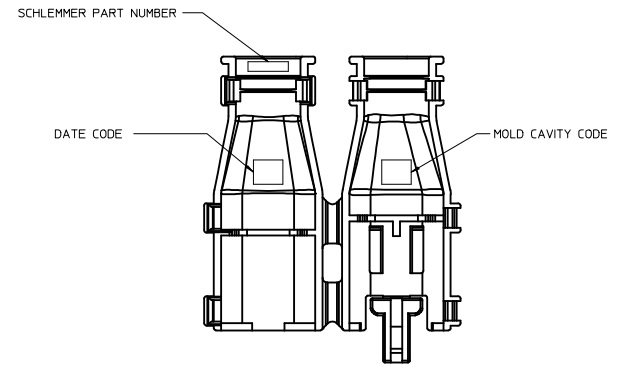
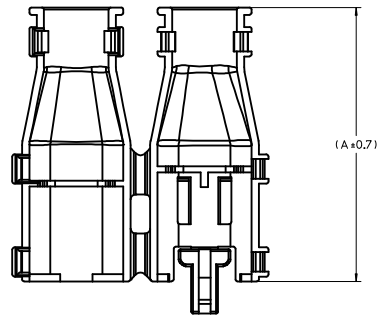
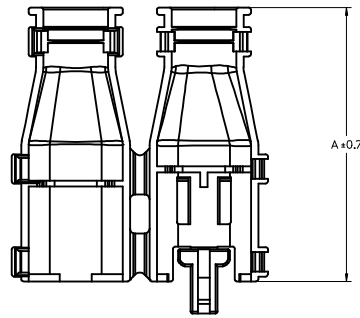
34950-1210  
2X6 BLADE WITH RIBS



34950-1220  
2X6 BLADE WITHOUT RIBS

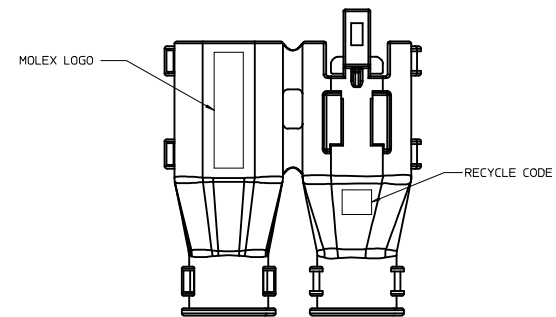
<b>ENTER DESCRIPTION</b> IEC NO: UAU2015-1693 DRAWN: GORUSZENSKI, 2015/05/11 CHKD: APPR: VKOSHY 2015/05/12 REV:	QUALITY SYMBOLS ▽=0 ▽=0 ▽=0	GENERAL TOLERANCES (UNLESS SPECIFIED) <table border="1"> <thead> <tr> <th></th> <th>mm</th> <th>INCH</th> </tr> </thead> <tbody> <tr> <td>4 PLACES</td> <td>± 0.1</td> <td>± 0.004</td> </tr> <tr> <td>3 PLACES</td> <td>± 0.15</td> <td>± 0.006</td> </tr> <tr> <td>2 PLACES</td> <td>± 0.2</td> <td>± 0.008</td> </tr> <tr> <td>1 PLACE</td> <td>± 0.3</td> <td>± 0.012</td> </tr> <tr> <td>0 PLACE</td> <td>± 0.4</td> <td>± 0.016</td> </tr> </tbody> </table> ANGULAR ± 3° DRAFT WHERE APPLICABLE MUST REMAIN WITHIN DIMENSIONS		mm	INCH	4 PLACES	± 0.1	± 0.004	3 PLACES	± 0.15	± 0.006	2 PLACES	± 0.2	± 0.008	1 PLACE	± 0.3	± 0.012	0 PLACE	± 0.4	± 0.016	DIMENSION STYLE <b>MM ONLY</b>	SCALE <b>1:1</b>	DESIGN UNITS <b>METRIC</b>	THIRD ANGLE PROJECTION
		mm	INCH																					
	4 PLACES	± 0.1	± 0.004																					
	3 PLACES	± 0.15	± 0.006																					
2 PLACES	± 0.2	± 0.008																						
1 PLACE	± 0.3	± 0.012																						
0 PLACE	± 0.4	± 0.016																						
DRAWN BY DAHALL	DATE 2013/03/19	CHECKED BY DATE	TITLE <b>MX150 BLADE                  DUAL ROW                  BACKSHELL</b>	APPROVED BY VKOSHY	DATE 2013/04/08	MATERIAL NO. <b>SEE BOM</b>																		
DOCUMENT NO. <b>SD-34950-0001</b>		SHEET NO. 2 OF 3	<b>molex</b>																					
THIS DRAWING CONTAINS INFORMATION THAT IS PROPRIETARY TO MOLEX INCORPORATED AND SHOULD NOT BE USED WITHOUT WRITTEN PERMISSION																								

BACKSHELL DETAIL



Partial Z-Z  
SCALE 5:1  
WITH RIBS

Partial Y-Y  
SCALE 5:1  
WITHOUT RIBS



PART NUMBER	DIMENSIONS					
	A	B	C	D	E	F
34950-0610	56	13.2	9.8	3.9	0.65	2.7
34950-0620	56	13.2	N/A	N/A	N/A	N/A
34950-1210	56	17.7	13.6	4.2	0.83	3.1
34950-1220	56	17.7	N/A	N/A	N/A	N/A

<b>ENTER DESCRIPTION</b> IEC NO. UAU2015-1693 DRAWN BY: BOURZENSKI, 2015/05/11 CHKD: APPR: VKOSHY 2015/05/12	QUALITY SYMBOLS	GENERAL TOLERANCES (UNLESS SPECIFIED)	DIMENSION STYLE	SCALE	DESIGN UNITS	THIRD ANGLE PROJECTION	
	∇=0 ∇=0 ∇=0	mm INCH 4 PLACES # --- # --- 3 PLACES # --- # --- 2 PLACES # 0.1 # --- 1 PLACE # 0.3 # --- 0 PLACE # --- # ---	MM ONLY	2:1	METRIC	TITLE MX150 BLADE DUAL ROW BACKSHELL <b>molex</b>	
	DRAFT WHERE APPLICABLE MUST REMAIN WITHIN DIMENSIONS	APPROVED BY DATE VKOSHY 2013/04/08	DRAWN BY DATE DAHALL 2013/03/19	CHECKED BY DATE	MATERIAL NO. SEE BOM	DOCUMENT NO. SD-34950-0001	SHEET NO. 3 OF 3
	SIZE D	THIS DRAWING CONTAINS INFORMATION THAT IS PROPRIETARY TO MOLEX INCORPORATED AND SHOULD NOT BE USED WITHOUT WRITTEN PERMISSION					