



Chipsmall Limited consists of a professional team with an average of over 10 year of expertise in the distribution of electronic components. Based in Hongkong, we have already established firm and mutual-benefit business relationships with customers from,Europe,America and south Asia,supplying obsolete and hard-to-find components to meet their specific needs.

With the principle of “Quality Parts,Customers Priority,Honest Operation,and Considerate Service”,our business mainly focus on the distribution of electronic components. Line cards we deal with include Microchip,ALPS,ROHM,Xilinx,Pulse,ON,Everlight and Freescale. Main products comprise IC,Modules,Potentiometer,IC Socket,Relay,Connector.Our parts cover such applications as commercial,industrial, and automotives areas.

We are looking forward to setting up business relationship with you and hope to provide you with the best service and solution. Let us make a better world for our industry!



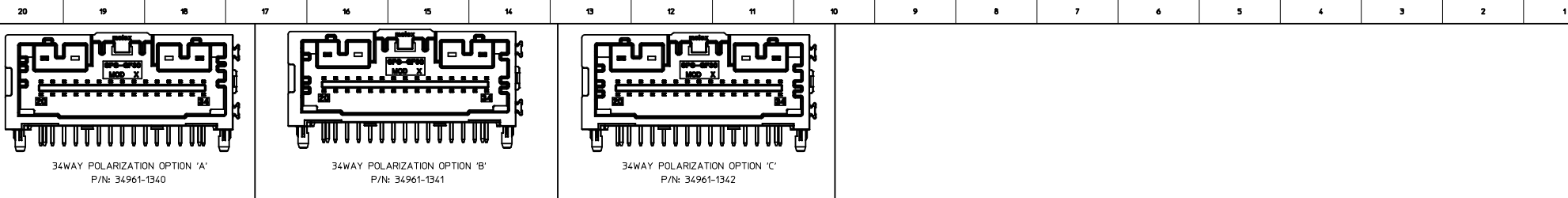
Contact us

Tel: +86-755-8981 8866 Fax: +86-755-8427 6832

Email & Skype: info@chipsmall.com Web: www.chipsmall.com

Address: A1208, Overseas Decoration Building, #122 Zhenhua RD., Futian, Shenzhen, China





MATERIAL NUMBER			CKT SIZE	DESCRIPTION	POL	COLOR
TRAY PACKAGING PK-31302-070	TUBE PACKAGING PK-31301-688	TAPE AND REEL PK-47799-0001				
34961-1340	TBD	34961-9340	34	34CKT MINI50 RIGHT ANGLE HEADER ASSEMBLY 1.2MM DEPOPULATED	A	BLACK
34961-1341	TBD	34961-9341	34	34CKT MINI50 RIGHT ANGLE HEADER ASSEMBLY 1.2MM DEPOPULATED	B	GREY
34961-1342	TBD	34961-9342	34	34CKT MINI50 RIGHT ANGLE HEADER ASSEMBLY 1.2MM DEPOPULATED	C	DK GREY

NOTES: VALID UNLESS OTHERWISE SPECIFIED
1. GENERAL:

a. CONNECTOR HEADER MUST BE VALIDATED TO THE FOLLOWING FUNCTIONAL REQUIREMENTS:

VALIDATION SPECIFICATION - GMW3191 JUNE 2012

SOLDERABILITY - SMES-152

b. APPLICATION REQUIREMENTS (REFERENCE ONLY) FOR:

SEE APPLICATION SPECIFICATION - AS-34959-001

SEE PRODUCT SPECIFICATION - PS-34959-001

MATES WITH: SD-34959-030

c. PACKAGING SPECIFICATION: SEE CHART

2. DESIGN: MATERIALS:

a. SHROUD (PLASTIC HOUSING):
RESIN - SPS 30%GF

b. PIN ALIGNMENT PLATE:
RESIN - SPS 30%GF

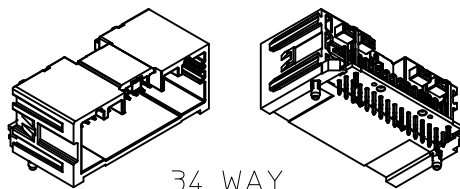
c. 0.50MM BLADES:
BASE MATERIAL: C26800
PLATING TYPE: AS NOTED

d. 1.20MM BLADES:
BASE MATERIAL: C26800
PLATING TYPE: AS NOTED

3. PLATING REQUIREMENTS:

a. UNDERPLATING - OVERALL NICKEL

b. OVERPLATING - OVERALL TIN

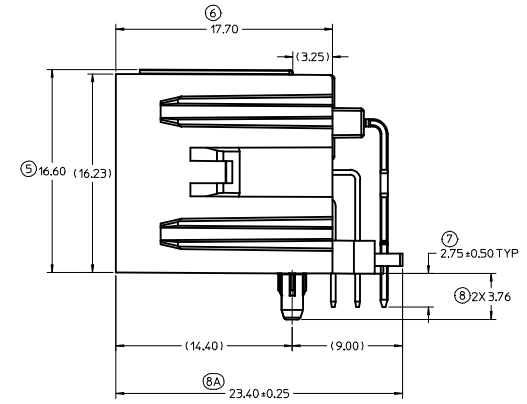
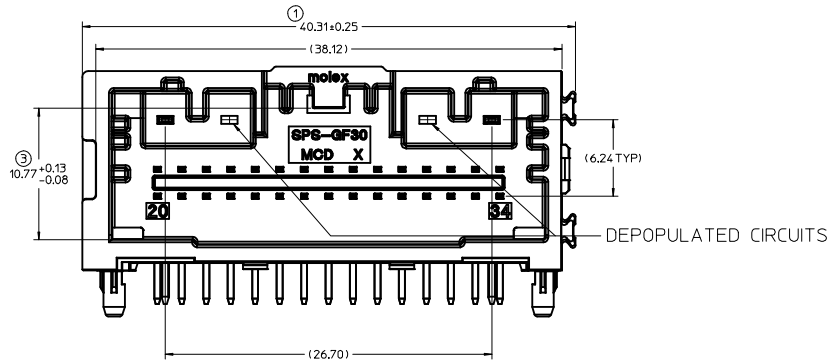


34 WAY

ISOMETRIC VIEW

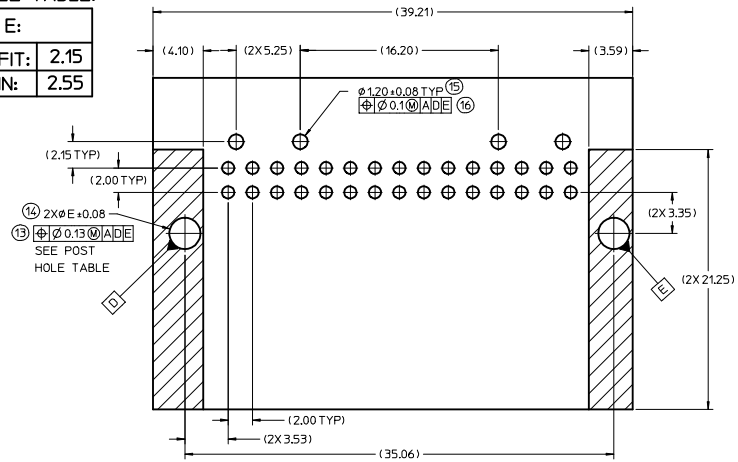
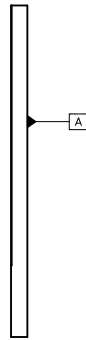
SCALE 2:1

ENTER DESCRIPTION IEC NO: UAU2017-0843 DRAWN: FISCHER01 2016/10/28 CHYK: A5 APPR: RBAUMAN 2017/03/21 REV:	QUALITY SYMBOLS	GENERAL TOLERANCES (UNLESS SPECIFIED)	DIMENSION STYLE MM ONLY	SCALE 2:1	DESIGN UNITS METRIC	THIRD ANGLE PROJECTION
	▽=0	4 PLACES ± 0.15	mm	DRAWN BY JFISCHER01	DATE 2015/12/10	TITLE 34CKT MINI50 RIGHT ANGLE 1.2MM DEPOPULATED HEADER ASSEMBLY SALES DRAWING
	▽=0	3 PLACES ± 0.13	INCH	CHECKED BY	DATE	
	▽=0	2 PLACES ± 0.25	APPROVED BY RBAUMAN	DATE 2015/12/14	DOCUMENT NO. SD-34961-130	
	1 PLACE ± 0.25	ANGULAR ± 1°	MATERIAL NO.	SEE CHART		SHEET NO. 1 OF 2
	0 PLACE ± 0.25	DRAFT WHERE APPLICABLE MUST REMAIN WITHIN DIMENSIONS	SIZE D	THIS DRAWING CONTAINS INFORMATION THAT IS PROPRIETARY TO MOLEX INCORPORATED AND SHOULD NOT BE USED WITHOUT WRITTEN PERMISSION		



POST HOLE TABLE:

FOR DIM E:
PRESS FIT: 2.15
DROP IN: 2.55



REFERENCE 34WAY PCB LAYOUT

ENTER DESCRIPTION IEC NO. UAU2017-0843 DRAWN BY JFISCHER01 2016/10/28 CHYK: APPR:RBAUMAN 2017/03/21	QUALITY SYMBOLS	GENERAL TOLERANCES (UNLESS SPECIFIED)	DIMENSION STYLE	SCALE	DESIGN UNITS	THIRD ANGLE PROJECTION
	▽=0	mm INCH	MM ONLY	5:1	METRIC	☉
	▽=0	4 PLACES ± --- ± ---	DRAWN BY DATE	TITLE		
	▽=0	3 PLACES ± --- ± ---	JFISCHER01 2015/12/10	34CKT MINI50 RIGHT ANGLE 12MM DEPOPULATED HEADER ASSEMBLY SALES DRAWING		
▽=0	2 PLACES ± 0.13 ± ---	CHECKED BY DATE	MATERIAL NO. DOCUMENT NO.			
	1 PLACE ± 0.25 ± ---	APPROVED BY DATE	SD-34961-130			
	0 PLACE ± --- ± ---	RBAUMAN 2015/12/14	SHEET NO. 2 OF 2			
DRAFT WHERE APPLICABLE MUST REMAIN WITHIN DIMENSIONS		SEE CHART		THIS DRAWING CONTAINS INFORMATION THAT IS PROPRIETARY TO MOLEX INCORPORATED AND SHOULD NOT BE USED WITHOUT WRITTEN PERMISSION		