



Chipsmall Limited consists of a professional team with an average of over 10 year of expertise in the distribution of electronic components. Based in Hongkong, we have already established firm and mutual-benefit business relationships with customers from,Europe,America and south Asia,supplying obsolete and hard-to-find components to meet their specific needs.

With the principle of "Quality Parts,Customers Priority,Honest Operation,and Considerate Service",our business mainly focus on the distribution of electronic components. Line cards we deal with include Microchip,ALPS,ROHM,Xilinx,Pulse,ON,Everlight and Freescale. Main products comprise IC,Modules,Potentiometer,IC Socket,Relay,Connector.Our parts cover such applications as commercial,industrial, and automotives areas.

We are looking forward to setting up business relationship with you and hope to provide you with the best service and solution. Let us make a better world for our industry!



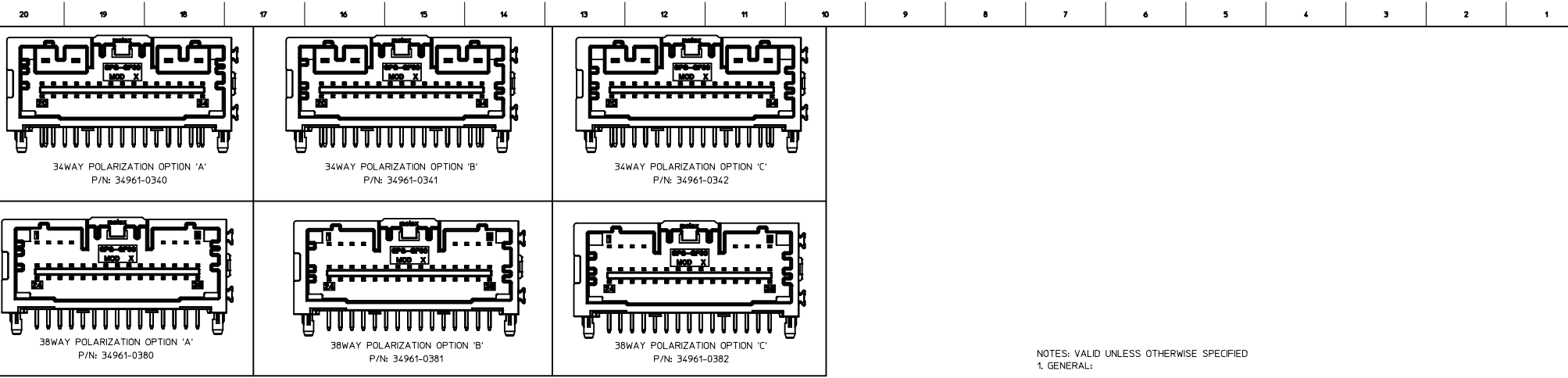
## Contact us

Tel: +86-755-8981 8866 Fax: +86-755-8427 6832

Email & Skype: info@chipsmall.com Web: www.chipsmall.com

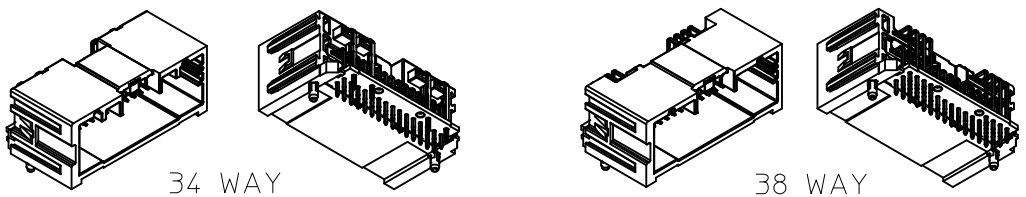
Address: A1208, Overseas Decoration Building, #122 Zhenhua RD., Futian, Shenzhen, China





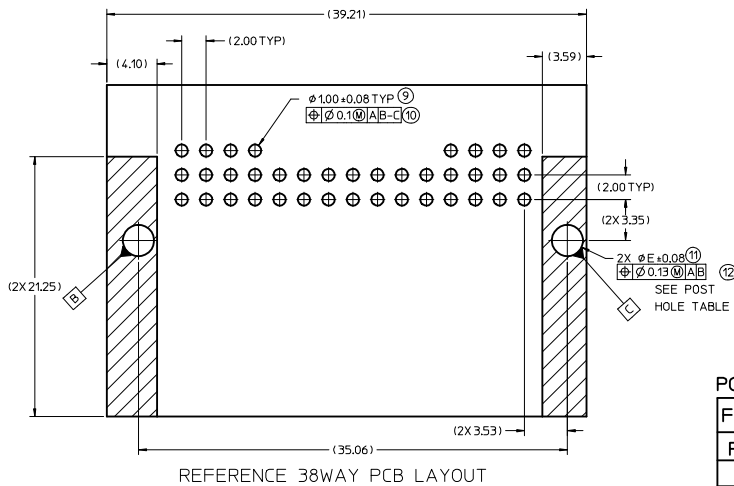
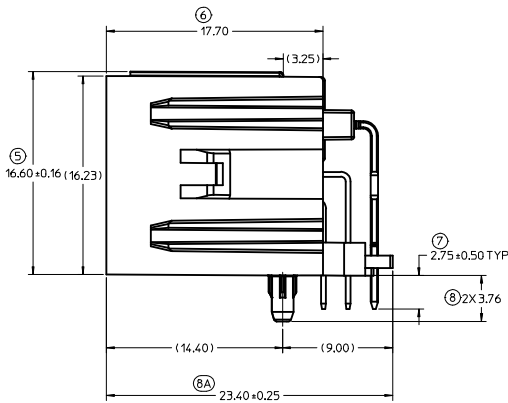
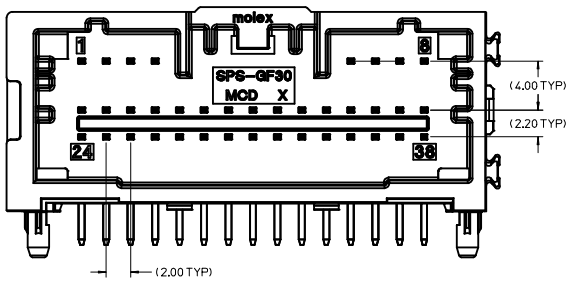
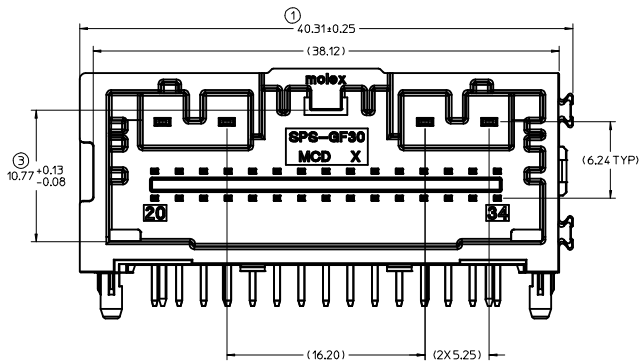
- NOTES: VALID UNLESS OTHERWISE SPECIFIED
1. GENERAL:
- a. CONNECTOR HEADER MUST BE VALIDATED TO THE FOLLOWING FUNCTIONAL REQUIREMENTS:
    - VALIDATION SPECIFICATION - GMW3191 JUNE 2012
    - SOLDERABILITY - SMES-152
  - b. APPLICATION REQUIREMENTS (REFERENCE ONLY) FOR:
    - SEE APPLICATION SPECIFICATION - AS-34959-001
    - SEE PRODUCT SPECIFICATION - PS-34959-001
    - MATES WITH: SD-34959-030
  - c. PACKAGING SPECIFICATION PER MOLEX DRAWING PK-XXXX-XXX
2. DESIGN: MATERIALS:
- a. SHROUD (PLASTIC HOUSING):
    - RESIN - SPS 30%GF
  - b. PIN ALIGNMENT PLATE:
    - RESIN - SPS 30%GF
  - c. 0.50MM BLADES:
    - BASE MATERIAL: C26800
    - PLATING TYPE: AS NOTED
  - d. 1.20MM BLADES:
    - BASE MATERIAL: C26800
    - PLATING TYPE: AS NOTED
3. PLATING REQUIREMENTS:
- a. UNDERPLATING - OVERALL NICKEL
  - b. OVERPLATING - OVERALL TIN

MATERIAL NUMBER			CKT SIZE	DESCRIPTION	POL	COLOR
TRAY PACKAGING PK-31302-070	TUBE PACKAGING PK-31301-688	TAPE AND REEL PK-47799-0001				
34961-0340	34961-7340	34961-8340	34	34CKT MINISO RIGHT ANGLE HEADER ASSEMBLY	A	BLACK
34961-0341	34961-7341	34961-8341	34	34CKT MINISO RIGHT ANGLE HEADER ASSEMBLY	B	GREY
34961-0342	34961-7342	34961-8342	34	34CKT MINISO RIGHT ANGLE HEADER ASSEMBLY	C	DK GREY
34961-0380	34961-7380	34961-8380	38	38CKT MINISO RIGHT ANGLE HEADER ASSEMBLY	A	BLACK
34961-0381	34961-7381	34961-8381	38	38CKT MINISO RIGHT ANGLE HEADER ASSEMBLY	B	GREY
34961-0382	34961-7382	34961-8382	38	38CKT MINISO RIGHT ANGLE HEADER ASSEMBLY	C	DK GREY



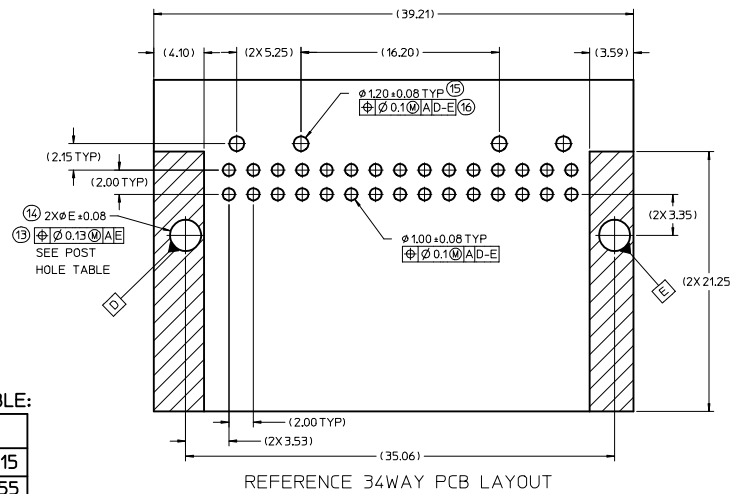
ISOMETRIC VIEW  
SCALE 2:1

<b>ENTER DESCRIPTION</b> IEC NO: UAU2017-0815 DRAWN: JFISCHER01 2017/03/14 CHKD: CHYD APPR: RBALMAN 2017/03/21 REV:	<b>QUALITY SYMBOLS</b> ▽=0 ▽=0 ▽=0	<b>GENERAL TOLERANCES (UNLESS SPECIFIED)</b>		<b>DIMENSION STYLE</b> MM ONLY	<b>SCALE</b> 2:1	<b>DESIGN UNITS</b> METRIC	<input checked="" type="checkbox"/> THIRD ANGLE PROJECTION		
		4 PLACES ±--- ±--- 3 PLACES ±--- ±--- 2 PLACES ±--- ±--- 1 PLACE ±--- ±--- 0 PLACE ±--- ±---	mm      INCH	DRAWN BY: JFISCHER01 DATE: 2012/11/21	CHECKED BY:	DATE:	<b>TITLE</b> 34 & 38 CKT MINISO RIGHT ANGLE HEADER ASSEMBLY SALES DRAWING		
		ANGULAR ± 1 °		APPROVED BY: KDEKOSKI DATE: 2012/12/21	<b>MATERIAL NO.</b> SEE CHART			<b>DOCUMENT NO.</b> SD-34961-030	<b>SHEET NO.</b> 1 OF 2
		DRAFT WHERE APPLICABLE MUST REMAIN WITHIN DIMENSIONS		<b>THIS DRAWING CONTAINS INFORMATION THAT IS PROPRIETARY TO MOLEX INCORPORATED AND SHOULD NOT BE USED WITHOUT WRITTEN PERMISSION</b>					

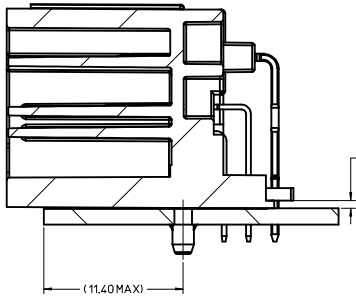


POST HOLE TABLE:  
FOR DIM E:

PRESS FIT:	2.15
DROP IN:	2.55



FLUSH MOUNTING  
HEADER-TO-PCB



(0.64)  
CLEARANCE FOR SOLDER  
JOINT INSPECTION)

DIN 16901	CODE LETTER	NOMINAL DIMENSION RANGE														
		OVER UP TO	0	1	3	6	10	15	22	30	40	53	70	90	120	160
PRECISION	A		+0.10	+0.12	+0.14	+0.16	+0.20	+0.22	+0.24	+0.26	+0.28	+0.31	+0.35	+0.40	+0.50	
ENGINEERING	B		+0.05	+0.06	+0.07	+0.08	+0.10	+0.12	+0.14	+0.16	+0.18	+0.21	+0.25	+0.30	+0.40	

A: FOR NON-MOLD RELATED DIMENSIONS (ACROSS PARTING LINE)  
B: FOR MOLD RELATED DIMENSIONS (WITHIN MOLD COMPONENTS)

<b>ENTER DESCRIPTION</b> IEC NO. UAU2017-0815 DRAWN BY JFISCHER01 2017/03/14 CHKD: CHYX APPR: BRALMAN 2017/03/21	<b>QUALITY SYMBOLS</b> ∇=0 ∇=0 ∇=0	<b>GENERAL TOLERANCES (UNLESS SPECIFIED)</b> mm INCH 4 PLACES ± --- ± --- 3 PLACES ± --- ± --- 2 PLACES ± --- ± --- 1 PLACE ± --- ± --- 0 PLACE ± --- ± ---	<b>DIMENSION STYLE</b> MM ONLY	SCALE 5:1 DESIGN UNITS METRIC THIRD ANGLE PROJECTION	DRAWN BY DATE JFISCHER01 2012/11/21	TITLE 34 & 38 CKT MINISO RIGHT ANGLE HEADER ASSEMBLY SALES DRAWING
					CHECKED BY DATE DATE	APPROVED BY DATE KDEKOSKI 2012/12/21

THIS DRAWING CONTAINS INFORMATION THAT IS PROPRIETARY TO MOLEX INCORPORATED AND SHOULD NOT BE USED WITHOUT WRITTEN PERMISSION