



Chipsmall Limited consists of a professional team with an average of over 10 year of expertise in the distribution of electronic components. Based in Hongkong, we have already established firm and mutual-benefit business relationships with customers from,Europe,America and south Asia,supplying obsolete and hard-to-find components to meet their specific needs.

With the principle of “Quality Parts,Customers Priority,Honest Operation,and Considerate Service”,our business mainly focus on the distribution of electronic components. Line cards we deal with include Microchip,ALPS,ROHM,Xilinx,Pulse,ON,Everlight and Freescale. Main products comprise IC,Modules,Potentiometer,IC Socket,Relay,Connector.Our parts cover such applications as commercial,industrial, and automotives areas.

We are looking forward to setting up business relationship with you and hope to provide you with the best service and solution. Let us make a better world for our industry!



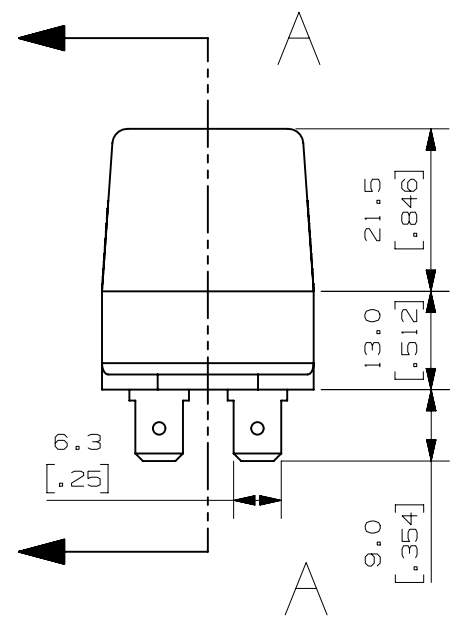
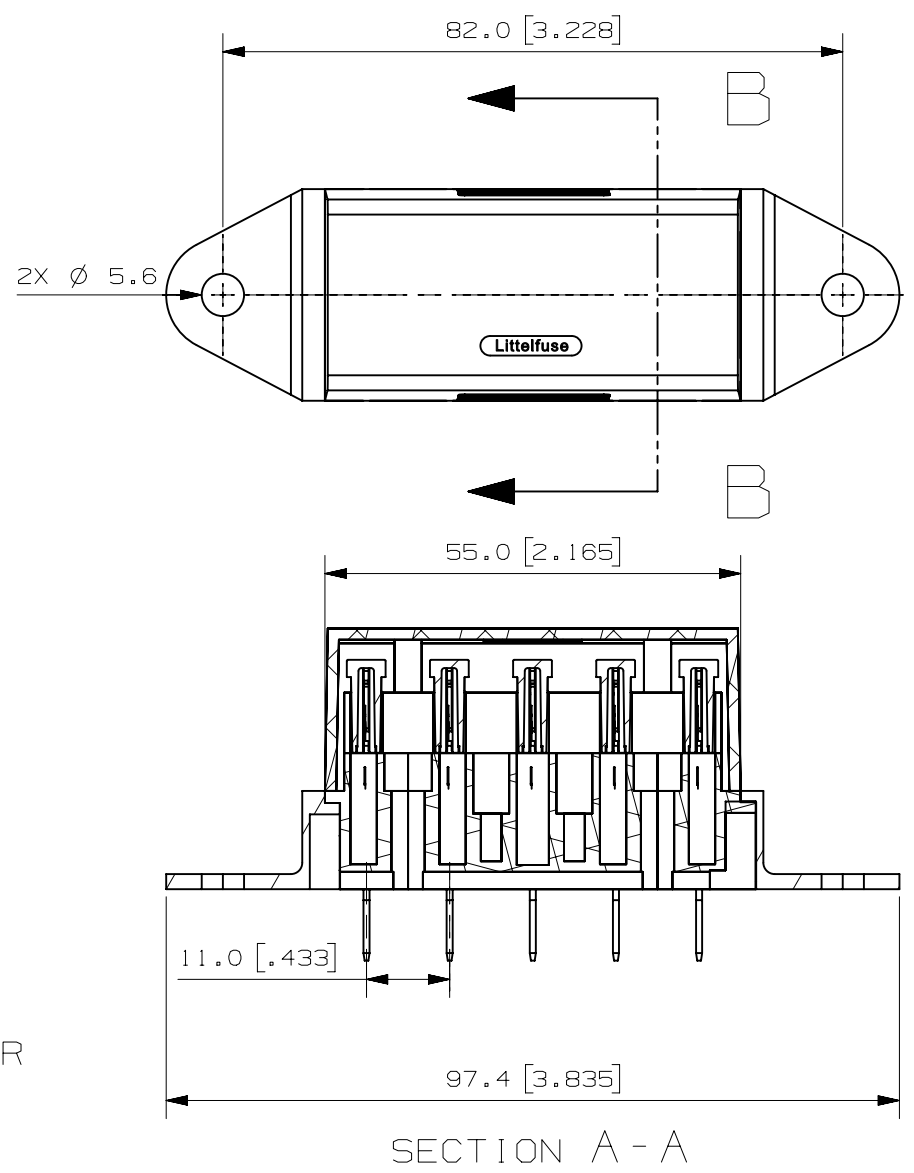
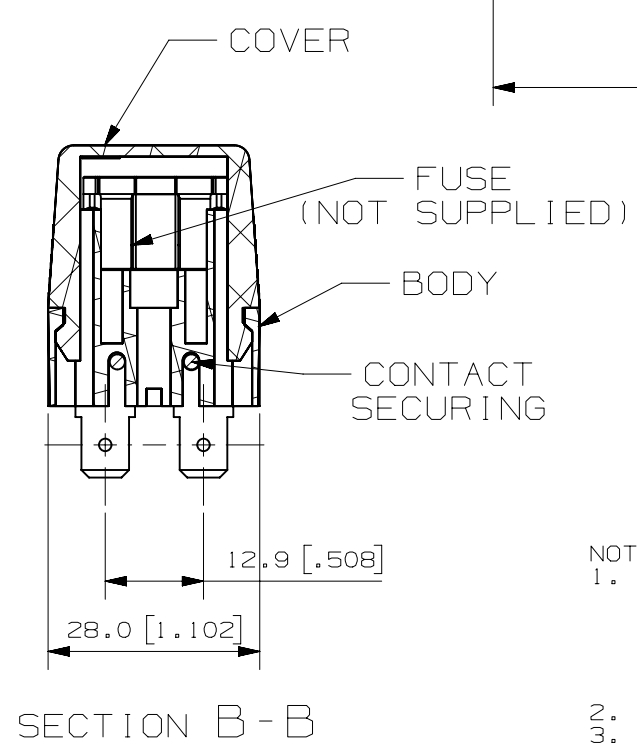
Contact us

Tel: +86-755-8981 8866 Fax: +86-755-8427 6832

Email & Skype: info@chipsmall.com Web: www.chipsmall.com

Address: A1208, Overseas Decoration Building, #122 Zhenhua RD., Futian, Shenzhen, China





- NOTES:
- MATERIALS:
 COVER: CRYSTAL-CLAEAR POLYCARBONATE
 BODY: BLACK POLYAMIDE, GLASS FIBER REINFORCED
 CONTACT SECURING: WHITE POLYAMIDE, GLASS FIBER REINFORCED
 CONTACTS: TIN PLATED BRASS, PLATING THICKNESS 8-10µ
 2. INSERTION FORCE: 20-50N
 3. EXTRACTION FORCE: 12-50N

METRIC
ASSEMBLY

NO	COMPONENT NO	DESCRIPTION	QTY/M	U/M
BILL OF MATERIAL				
UNLESS OTHERWISE SPECIFIED, DIMENSIONS ARE IN MILLIMETERS. DIMENSIONS IN BRACKETS [] ARE INCHES				
UNLESS OTHERWISE SPECIFIED, DIMENSIONS DO NOT INCLUDE PLATING.				
⊙		DENOTES CRITICAL CHARACTERISTICS.		
CPK		DENOTES CPK DIMENSIONS, -MINIMUM CPK VALUE		
ST		DENOTES A CHARACTERISTIC THAT PROVIDES AN INDICATION OF PROCESS PERFORMANCE. PROCEDURE FOR MEASUREMENT AND TRACKING TO BE DEFINED IN LITTELFUSE INSPECTION INSTRUCTIONS		
CP		DENOTES CP DIMENSIONS, -MINIMUM CP VALUE MUST BE WITHIN THE DIMENSIONAL LIMITATIONS SHOWN ON DRAWING AND INITIALLY LOCATED TO ALLOW FOR MAXIMUM TOOL LIFE		

LTR	DATE	REVISION	CHK	APD
A	11/17/13	509B15ERA-NEW RELEASED FYUE		

COPIES TO	MATL SPEC	REFER TO NOTES
1 9 18		
2 10 19		
3 12 20		
4 13 21	DATE 11/18/13	SCALE 1:1
5 14 23		SUPER DR
6 15 33		
7 16 43		FINISH GOOD WT
8 17 53		GRAMS/PIECE

DIMENSION	UP TO	OVER	UP TO	OVER	UP TO	OVER
	0.5 - 3	±0.1	3 - 6	±0.2	6 - 30	±0.3
					30 - 120	±0.5
					120 - 400	

TOLERANCES UNLESS OTHERWISE SPECIFIED (REF. ISO 2768-FH)	
3RD ANGLE PROJECTION	TITLE A TO BLOCK 5 POSITIONS, VERTICAL CONTACTS

	REVISION	DRWG. NO.	OUTLINE
	A	03500418Z	