



Chipsmall Limited consists of a professional team with an average of over 10 year of expertise in the distribution of electronic components. Based in Hongkong, we have already established firm and mutual-benefit business relationships with customers from,Europe,America and south Asia,supplying obsolete and hard-to-find components to meet their specific needs.

With the principle of “Quality Parts,Customers Priority,Honest Operation,and Considerate Service”,our business mainly focus on the distribution of electronic components. Line cards we deal with include Microchip,ALPS,ROHM,Xilinx,Pulse,ON,Everlight and Freescale. Main products comprise IC,Modules,Potentiometer,IC Socket,Relay,Connector.Our parts cover such applications as commercial,industrial, and automotives areas.

We are looking forward to setting up business relationship with you and hope to provide you with the best service and solution. Let us make a better world for our industry!



Contact us

Tel: +86-755-8981 8866 Fax: +86-755-8427 6832

Email & Skype: info@chipsmall.com Web: www.chipsmall.com

Address: A1208, Overseas Decoration Building, #122 Zhenhua RD., Futian, Shenzhen, China



DWG. IO.
SD-35021-002

SIMILAR ITEM

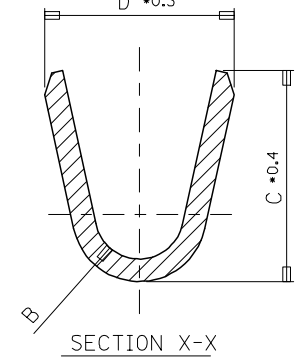
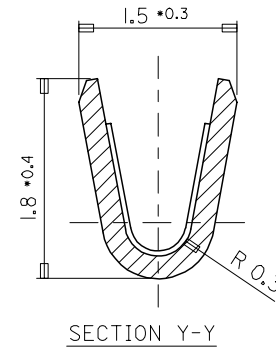
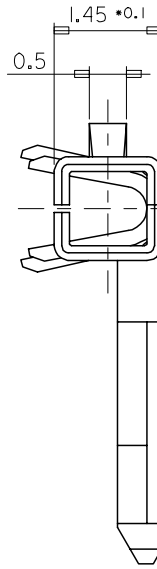
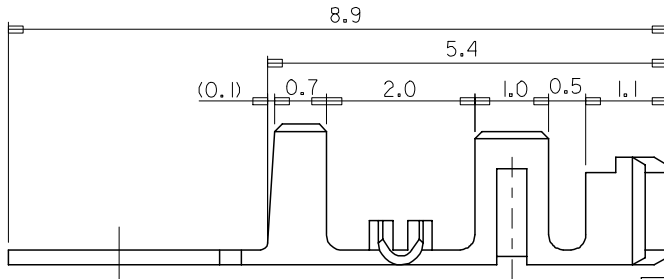
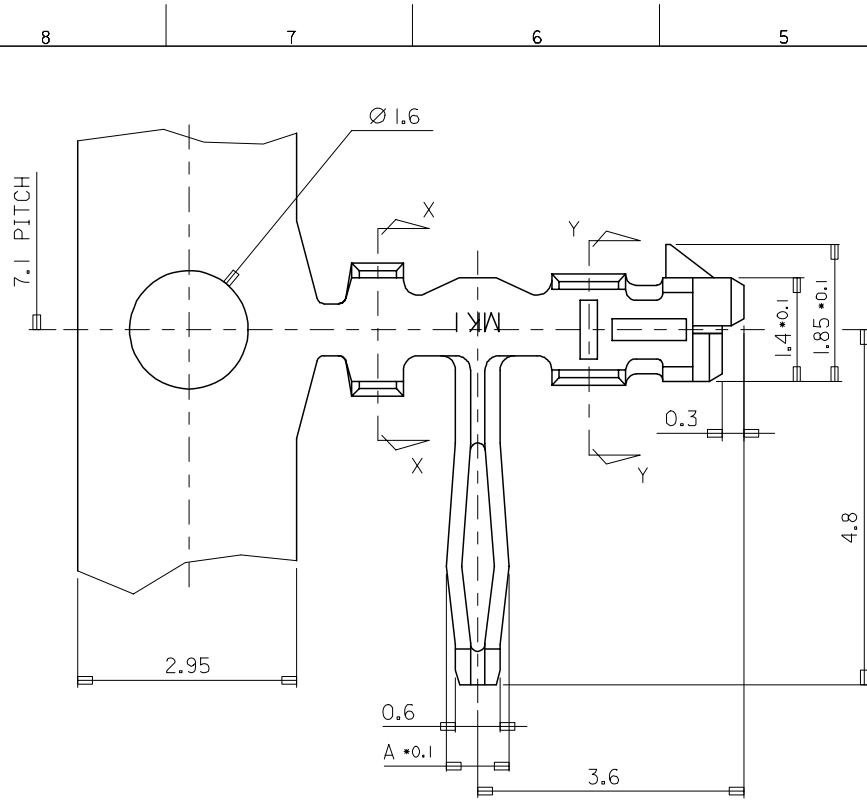
PROJECT NO.

C

B

DO NOT SCALE DRAWING
DIMENSION IN METRIC

LEAD FREE



NOTES:

1. MATERIAL
 - 1) BRASS (CDA 260)
 - 2) PHOSPHOR BRONZE (CDA 510)
2. FINISH
 - TIN(Sn) THICKNESS = 3.0 MICROMETER MINIMUM
 - NICKEL(Ni) UNDERPLATE THICKNESS=1~3 MICROMETER
3. USED HOUSING : 35022-00**/35023-00**/68418-***00
4. THIS PRODUCT IS LEAD FREE OF 35021-***10

POST-PLATED	PHOS. BRON.	AWG #24-#30 (INS. DIA: Ø 1.5 MAX.)	1.8	1.9	R0.4	0.85	350211360	35021-1360
POST-PLATED	PHOS. BRON.	AWG #22-#30 (INS. DIA: Ø 1.9 MAX.)	2.5	2.5	R0.7	1.05	350211160	35021-1160
PLATING	MATERIAL	WIRE RANGE	D	C	B	A	MAT'L NO.	ENG NO.

REVISED EC NO. K0R2007-0069 DRWN: H.JEONG 2006/12/22 CHK: K.S.KIM 2006/12/22 APPR: Y.SOOKIM 2006/12/22	QUALITY SYMBOLS MAJOR = CRITICAL =	GENERAL TOLERANCES: (UNLESS SPECIFIED)		SCALE 15-1	DESIGN UNITS <input checked="" type="checkbox"/> mm <input type="checkbox"/> INCH	THIRD ANGLE PROJECTION	DIMENSIONS: <input type="checkbox"/> mm <input type="checkbox"/> INCH <input type="checkbox"/> mm <input checked="" type="checkbox"/> ONLY		SHT	REV
		4 PLACES ±0. ±	3 PLACES ±0. ±	2 PLACES ±0. ±	1 PLACE ±0.3 ±	DRAWN BY & DATE HSSHIN		TITLE: R/A B-IN TERMINAL -LEAD FREE-		
C	DESCRIPTION	ANGULAR: ± 1 °		APPROVED BY & DATE CWLEE		MOLEX MOLEX INCORPORATED KOREA				
		DRAFT WHERE APPLICABLE MUST REMAIN WITHIN DIMENSIONS		CAD FILENAME SD35021.DGN	MATERIAL NO. SEE TABLE	DRAWING NO. SD-35021-002	SHEET NO. 1 OF 1		SIZE B	

MX-A3