



Chipsmall Limited consists of a professional team with an average of over 10 year of expertise in the distribution of electronic components. Based in Hongkong, we have already established firm and mutual-benefit business relationships with customers from,Europe,America and south Asia,supplying obsolete and hard-to-find components to meet their specific needs.

With the principle of “Quality Parts,Customers Priority,Honest Operation,and Considerate Service”,our business mainly focus on the distribution of electronic components. Line cards we deal with include Microchip,ALPS,ROHM,Xilinx,Pulse,ON,Everlight and Freescale. Main products comprise IC,Modules,Potentiometer,IC Socket,Relay,Connector.Our parts cover such applications as commercial,industrial, and automotives areas.

We are looking forward to setting up business relationship with you and hope to provide you with the best service and solution. Let us make a better world for our industry!



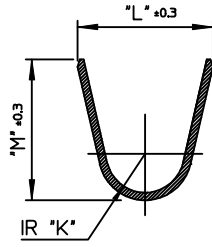
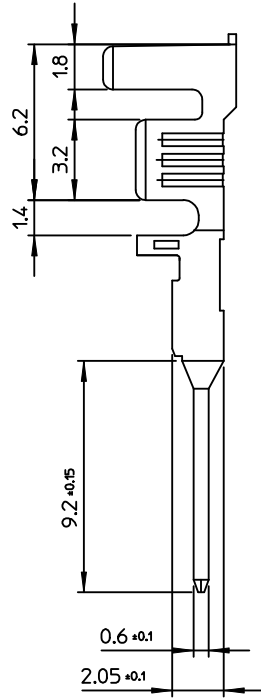
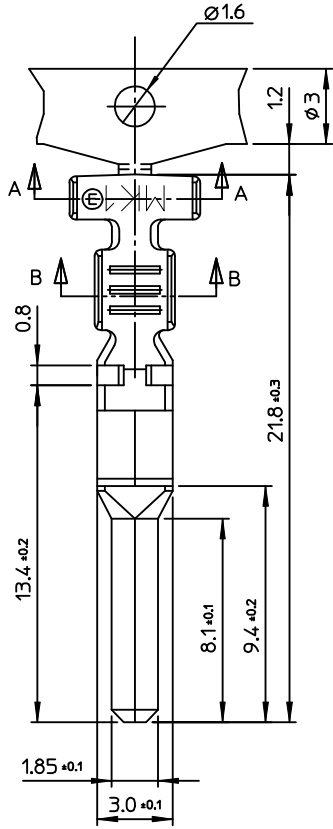
Contact us

Tel: +86-755-8981 8866 Fax: +86-755-8427 6832

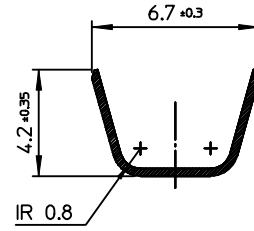
Email & Skype: info@chipsmall.com Web: www.chipsmall.com

Address: A1208, Overseas Decoration Building, #122 Zhenhua RD., Futian, Shenzhen, China

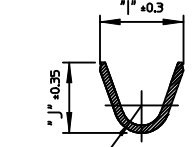




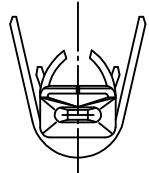
SECTION A-A



SECTION A-A
(35040-9502)



SECTION B-B



NOTES.

1. MATERIAL : BRASS
2. FINISH : PRE-TIN PLATED
0.8~1.8µm, TIN(Sn) OVER
0.3~0.8µm, COPPER(Cu) OVERALL
3. PRODUCT SPECIFICATION : PS-35127-001
4. PACKAGING SPECIFICATION : PK-35040-001
5. MATES WITH
 - MALE HOUSING : 35127-**-00
 - FEMALE TERMINAL : 35028 SERIES

[TABLE]

H	I	J	K	L	M	MATERIAL NO.	ENG NO.	APPLICABLE WIRE RANGE
0.8	3.0	3.2	0.8	3.35	3.55	350409802	35040-9802	AWG #20~#18[SINGLE WIRE]
0.8	3.2	3.5	1.55	5.4	5.3	350409000	35040-9000	AWG #16~#14[SINGLE WIRE]
0.8	4.3	3.2				350409502	35040-9502	AWG #20~#18[DOUBLE WIRES]

REVISED EC NO: KOR2014-0036 DRWN:SKCHO 2013/09/26 CHKD: APPR:YSK/1102 2013/10/02 DESCRIPTION	QUALITY SYMBOLS	GENERAL TOLERANCES (UNLESS SPECIFIED)	DIMENSION STYLE	SCALE	DESIGN UNITS	THIRD ANGLE PROJECTION
	▽=0 Ⓢ=0	mm INCH 4 PLACES ± --- ± --- 3 PLACES ± --- ± --- 2 PLACES ± 0.2 ± --- 1 PLACE ± 0.3 ± --- ANGULAR ± 1 °	MM ONLY		METRIC	
			DRAWN BY DATE	TITLE		
			CHECKED BY DATE			
		APPROVED BY DATE				
			MATERIAL NO.			
		DRAFT WHERE APPLICABLE MUST REMAIN WITHIN DIMENSIONS	SEE TABLE			
			SIZE	THIS DRAWING CONTAINS INFORMATION THAT IS PROPRIETARY TO MOLEX INCORPORATED AND SHOULD NOT BE USED WITHOUT WRITTEN PERMISSION		

.070 MALE TERMINAL

MOLEX INCORPORATED

SD-35040-001

SHEET NO. 1 OF 01