



Chipsmall Limited consists of a professional team with an average of over 10 year of expertise in the distribution of electronic components. Based in Hongkong, we have already established firm and mutual-benefit business relationships with customers from,Europe,America and south Asia,supplying obsolete and hard-to-find components to meet their specific needs.

With the principle of "Quality Parts,Customers Priority,Honest Operation,and Considerate Service",our business mainly focus on the distribution of electronic components. Line cards we deal with include Microchip,ALPS,ROHM,Xilinx,Pulse,ON,Everlight and Freescale. Main products comprise IC,Modules,Potentiometer,IC Socket,Relay,Connector.Our parts cover such applications as commercial,industrial, and automotives areas.

We are looking forward to setting up business relationship with you and hope to provide you with the best service and solution. Let us make a better world for our industry!



Contact us

Tel: +86-755-8981 8866 Fax: +86-755-8427 6832

Email & Skype: info@chipsmall.com Web: www.chipsmall.com

Address: A1208, Overseas Decoration Building, #122 Zhenhua RD., Futian, Shenzhen, China



DO NOT SCALE DRAWING DIMENSION IN METRIC

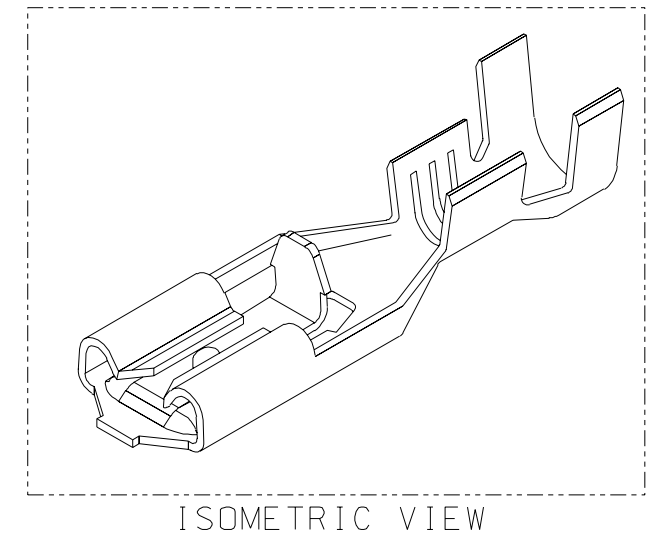
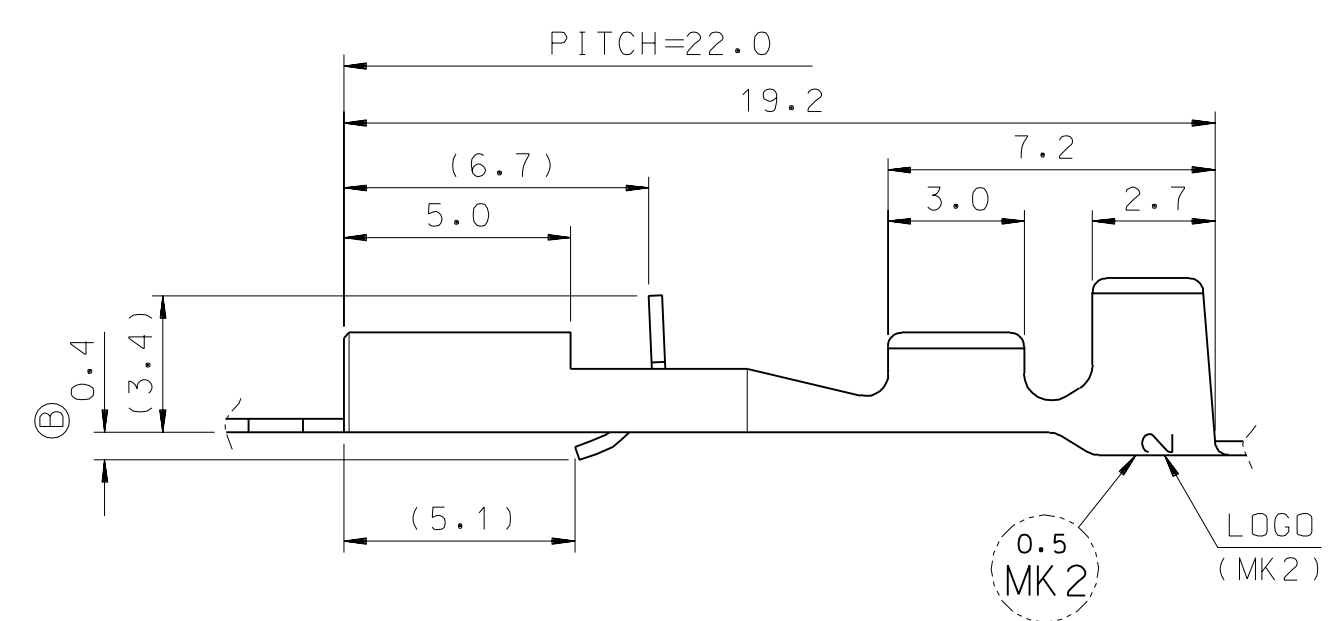
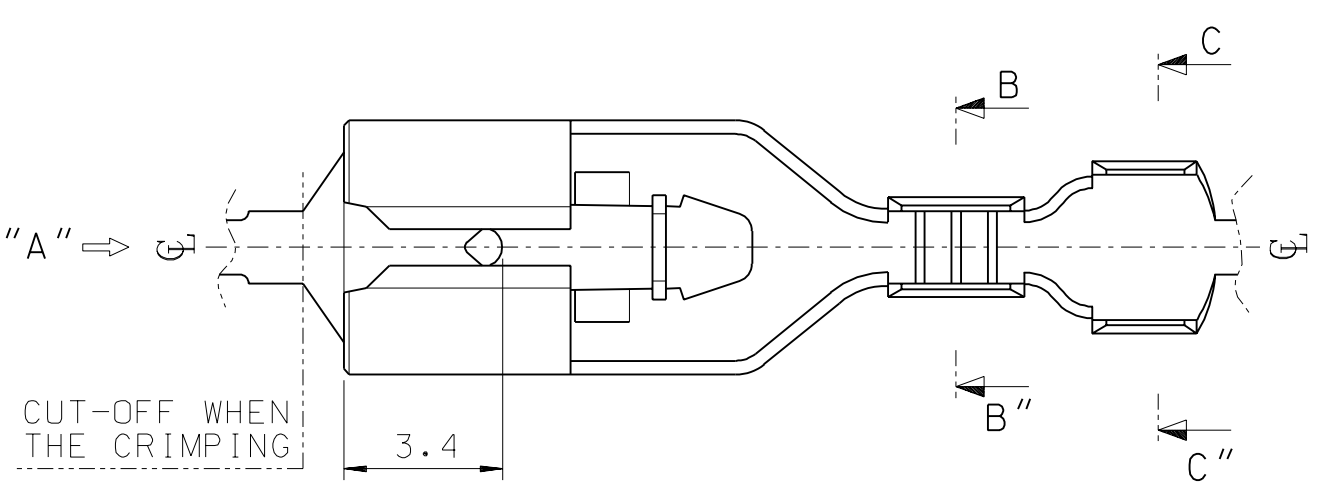
DWG. NO. SD-35068-9702

SIMILAR ITEM

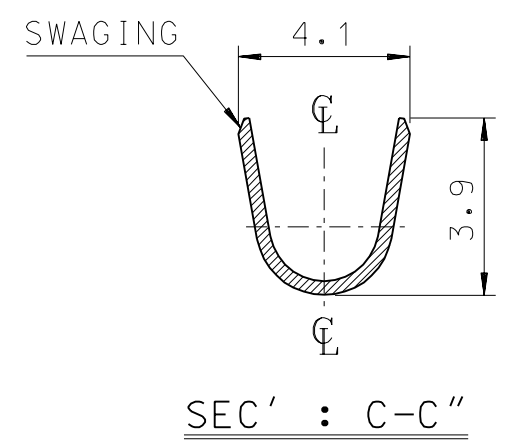
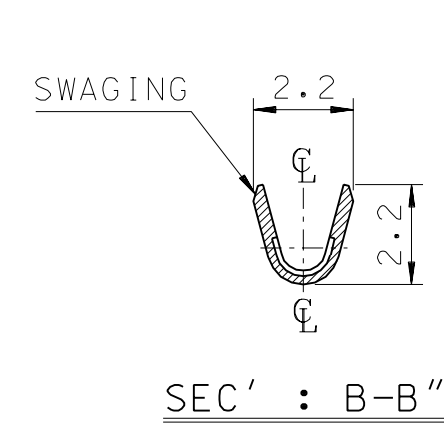
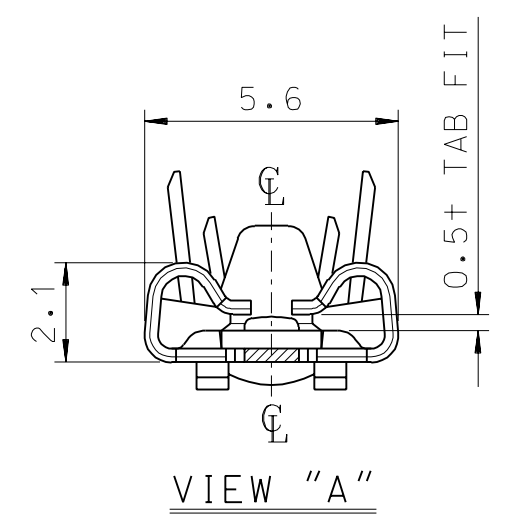
PROJECT NO. .187 MP-LOCK CONN'

C

B



- NOTES
1. MATERIAL : BRASS, 0.3mm THICKNESS
 2. FINISH : PRE-PLATED TIN
 3. MATING TAB THICKNESS : 0.5mm
 4. RECOMMENDED LENGTH OF WIRE STRIP IS 4.4-5.0mm.
 5. APPLICABLE WIRE : AWG #22-#20
INSULATION DIA. : ϕ 1.5-2.7mm



REVISED	EC NO. KDR1998-0101 DRWN: J.S.KANG 98/08/24 CHK: B.K.CHOI APPR: C.W.LEE	DESCRIPTION	QUALITY SYMBOLS MAJOR = CRITICAL =	GENERAL TOLERANCES: (UNLESS SPECIFIED)		SCALE 6/1	DESIGN UNITS <input checked="" type="checkbox"/> mm <input type="checkbox"/> INCH	THIRD ANGLE PROJECTION	DIMENSIONS: <input type="checkbox"/> mm <input type="checkbox"/> INCH <input checked="" type="checkbox"/> mm ONLY		SHT	REV
				4 PLACES $\pm 0.$	$\pm .$	DRAWN BY & DATE J.S.KANG 97/04/14		TITLE: .187 MP-LOCK TM'L(S) (0.5+ TAB FIT)		MOLEX INCORPORATED KOREA	SHEET NO. 1 of 1	SIZE B
3 PLACES $\pm 0.$	$\pm .$	CHECKED BY & DATE B.K.CHOI		MATERIAL NO. 35068-9702		DRAWING NO. SD-35068-9702						
2 PLACES ± 0.2	$\pm .$	APPROVED BY & DATE C.W.LEE		ANGULAR: $\pm 1^\circ$		THIS DRAWING CONTAINS INFORMATION THAT IS PROPRIETARY TO MOLEX INCORPORATED AND SHOULD NOT BE USED WITHOUT WRITTEN PERMISSION.						
1 PLACE ± 0.3	$\pm .$	DRAFT WHERE APPLICABLE MUST REMAIN WITHIN DIMENSIONS										