



Chipsmall Limited consists of a professional team with an average of over 10 year of expertise in the distribution of electronic components. Based in Hongkong, we have already established firm and mutual-benefit business relationships with customers from,Europe,America and south Asia,supplying obsolete and hard-to-find components to meet their specific needs.

With the principle of "Quality Parts,Customers Priority,Honest Operation,and Considerate Service",our business mainly focus on the distribution of electronic components. Line cards we deal with include Microchip,ALPS,ROHM,Xilinx,Pulse,ON,Everlight and Freescale. Main products comprise IC,Modules,Potentiometer,IC Socket,Relay,Connector.Our parts cover such applications as commercial,industrial, and automotives areas.

We are looking forward to setting up business relationship with you and hope to provide you with the best service and solution. Let us make a better world for our industry!



Contact us

Tel: +86-755-8981 8866 Fax: +86-755-8427 6832

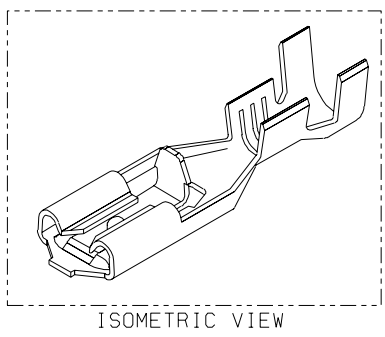
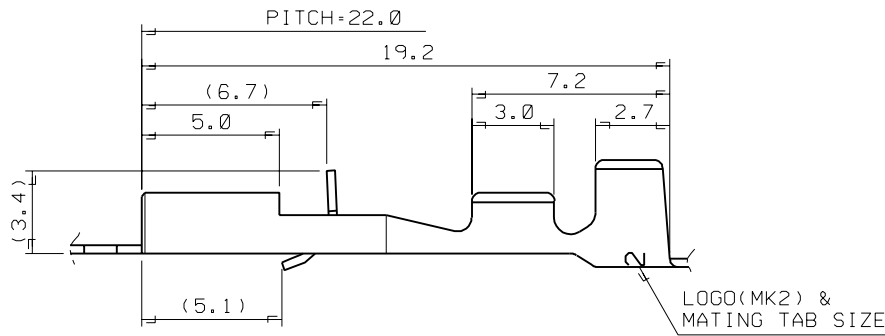
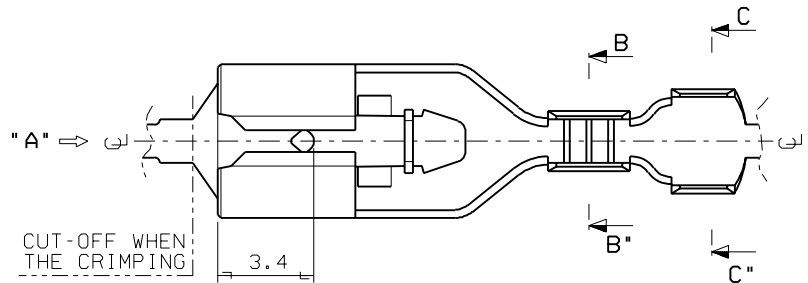
Email & Skype: info@chipsmall.com Web: www.chipsmall.com

Address: A1208, Overseas Decoration Building, #122 Zhenhua RD., Futian, Shenzhen, China

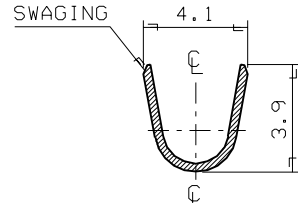
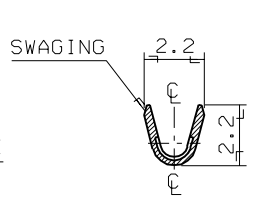
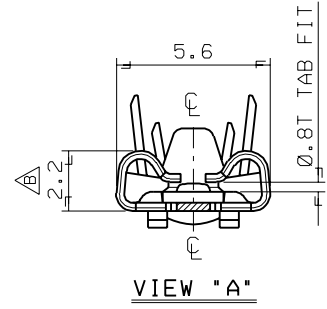


DO NOT SCALE DRAWING DIMENSION IN METRIC

PROJECT NO. .187 MP-LOCK CONN' SIMILAR ITEM DWG. NO. SD 35068-9722



- NOTES
1. MATERIAL : BRASS, Ø.3MM THICKNESS
 2. FINISH : PRE-PLATED TIN
 3. MATING TAB THICKNESS : Ø.8MM
 4. RECOMMENDED LENGTH OF WIRE STRIP IS 4.4-5.0MM.
 5. APPLICABLE WIRE : AWG #22-#20 INSULATION DIA. : Ø1.5-2.7MM
 6. CRIMPING SPECIFICATION : CS35068



Ø.8 MK2

REVISED EC NO. KOR1998-0140 DRWN: J.S.KANG 98/11/12 CHK: B.K.CHOI APPR: C.W.LEE	QUALITY SYMBOLS MAJOR CRITICAL	GENERAL TOLERANCES: (UNLESS SPECIFIED)		SCALE 6/1	DESIGN UNITS <input checked="" type="checkbox"/> mm <input type="checkbox"/> INCH	DIMENSIONS: <input type="checkbox"/> mm <input type="checkbox"/> INCH <input checked="" type="checkbox"/> mm ONLY		SHT	REV
		4 PLACES	±0.	±.	DRAWN BY & DATE J.S.KANG 98/01/21	TITLE: .187 MP-LOCK TERMINAL(S) (FOR Ø.8T TAB)			
		3 PLACES	±0.	±.	CHECKED BY & DATE B.K.CHOI 98/01/21	MATERIAL NO. 35068-9722			
		2 PLACES	±0.2	±.	APPROVED BY & DATE C.W.LEE 98/01/21	DRAWING NO. SD-35068-9722			
1 PLACE	±0.3	±.	ANGULAR: ± 1°	CAD FILENAME S35068F.DGN	SHEET NO. 1 OF 1		SIZE B		
REV	DESCRIPTION	DRAFT WHERE APPLICABLE MUST REMAIN WITHIN DIMENSIONS			THIS DRAWING CONTAINS INFORMATION THAT IS PROPRIETARY TO MOLEX INCORPORATED AND SHOULD NOT BE USED WITHOUT WRITTEN PERMISSION.				