



Chipsmall Limited consists of a professional team with an average of over 10 year of expertise in the distribution of electronic components. Based in Hongkong, we have already established firm and mutual-benefit business relationships with customers from,Europe,America and south Asia,supplying obsolete and hard-to-find components to meet their specific needs.

With the principle of “Quality Parts,Customers Priority,Honest Operation,and Considerate Service”,our business mainly focus on the distribution of electronic components. Line cards we deal with include Microchip,ALPS,ROHM,Xilinx,Pulse,ON,Everlight and Freescale. Main products comprise IC,Modules,Potentiometer,IC Socket,Relay,Connector.Our parts cover such applications as commercial,industrial, and automotives areas.

We are looking forward to setting up business relationship with you and hope to provide you with the best service and solution. Let us make a better world for our industry!



Contact us

Tel: +86-755-8981 8866 Fax: +86-755-8427 6832

Email & Skype: info@chipsmall.com Web: www.chipsmall.com

Address: A1208, Overseas Decoration Building, #122 Zhenhua RD., Futian, Shenzhen, China

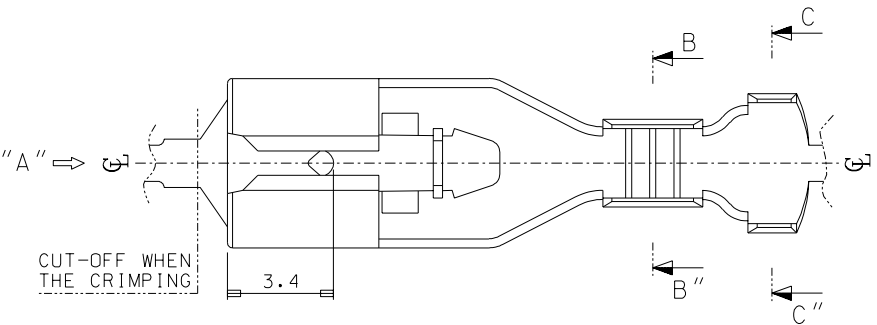


DO NOT SCALE DRAWING DIMENSION IN METRIC

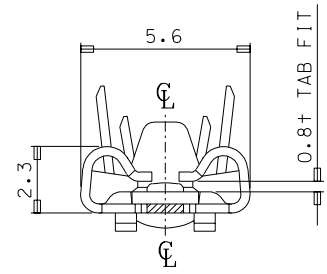
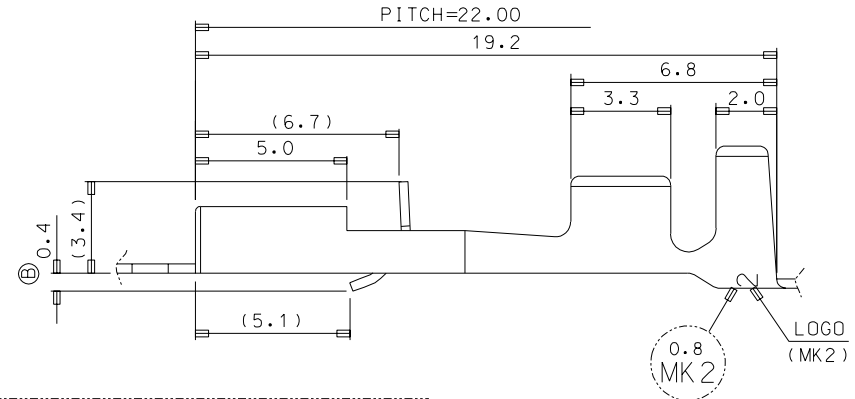
PROJECT NO. .187 P-LOCK CONN'

SIMILAR ITEM

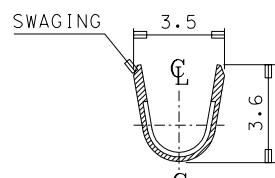
DWG. NO. SD 35068-982



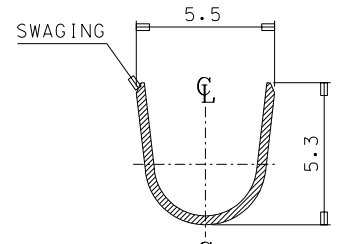
- NOTES
1. MATERIAL : BRASS . 0.30mm THICKNESS
 2. FINISH : PRE-PLATED TIN
 3. MATING TAB THICKNESS : 0.80 mm
 5. RECOMMENDED LENGTH OF WIRE STRIP IS 4.5-5.0mm.
 6. APPLICABLE WIRE : AWG #20-#16
INSULATION DIA. : $\varnothing 1.9-3.4$ mm



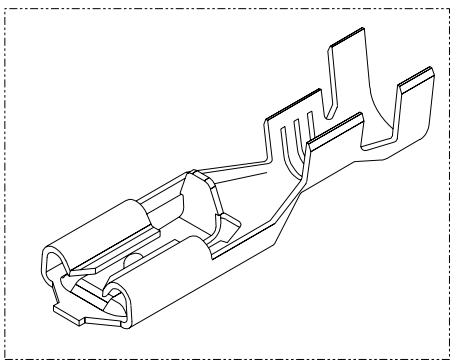
VIEW "A"



SEC' : B-B''



SEC' : C-C''



ISOMETRIC VIEW

REVISED EC NO. KDR2003-0022 DRWN: C.B. CHIN 02/07/18 CHK: W.Y. YANG APPR: C.W. LEE	DESCRIPTION MAJOR $\blacktriangledown = 0$ CRITICAL $\blacktriangle = 0$	QUALITY SYMBOLS		GENERAL TOLERANCES: (UNLESS SPECIFIED)	SCALE 6/1	DESIGN UNITS <input checked="" type="checkbox"/> mm <input type="checkbox"/> INCH	THIRD ANGLE PROJECTION	DIMENSIONS: <input type="checkbox"/> mm <input type="checkbox"/> INCH <input checked="" type="checkbox"/> mm ONLY	SHT	REV
		4 PLACES $\pm 0.$	$\pm.$	mm	INCH	DRAWN BY & DATE J.S.KANG 97/12/01	TITLE: .187 MP-LOCK TM'L(M) (0.8+ TAB FIT)			
B1	REV	3 PLACES $\pm 0.$	$\pm.$	ANGULAR: $\pm 1^\circ$		CHECKED BY & DATE B.K. CHOI 97/12/01	MATERIAL NO. 350689822		DRAWING NO. SD-35068-982	
		2 PLACES ± 0.2	$\pm.$	DRAFT WHERE APPLICABLE MUST REMAIN WITHIN DIMENSIONS		APPROVED BY & DATE W.Y. YANG 97/12/01	MATERIAL NO. 350689822		DRAWING NO. SD-35068-982	
		1 PLACE ± 0.3	$\pm.$	THIS DRAWING CONTAINS INFORMATION THAT IS PROPRIETARY TO MOLEX INCORPORATED AND SHOULD NOT BE USED WITHOUT WRITTEN PERMISSION.		CAD FILENAME s35068b.dgn	MATERIAL NO. 350689822		DRAWING NO. SD-35068-982	
								SHEET NO. 1 of 1		SIZE B