



Chipsmall Limited consists of a professional team with an average of over 10 year of expertise in the distribution of electronic components. Based in Hongkong, we have already established firm and mutual-benefit business relationships with customers from,Europe,America and south Asia,supplying obsolete and hard-to-find components to meet their specific needs.

With the principle of “Quality Parts,Customers Priority,Honest Operation,and Considerate Service”,our business mainly focus on the distribution of electronic components. Line cards we deal with include Microchip,ALPS,ROHM,Xilinx,Pulse,ON,Everlight and Freescale. Main products comprise IC,Modules,Potentiometer,IC Socket,Relay,Connector.Our parts cover such applications as commercial,industrial, and automotives areas.

We are looking forward to setting up business relationship with you and hope to provide you with the best service and solution. Let us make a better world for our industry!



## Contact us

Tel: +86-755-8981 8866 Fax: +86-755-8427 6832

Email & Skype: info@chipsmall.com Web: www.chipsmall.com

Address: A1208, Overseas Decoration Building, #122 Zhenhua RD., Futian, Shenzhen, China



DWG. NO.

SIMILAR ITEM

PROJECT NO.

C

B

DO NOT SCALE DRAWING  
DIMENSION IN METRIC

8

7

6

5

4

3

2

1

F

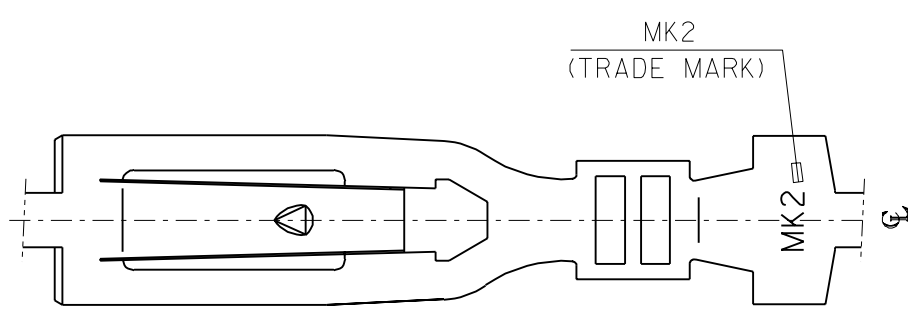
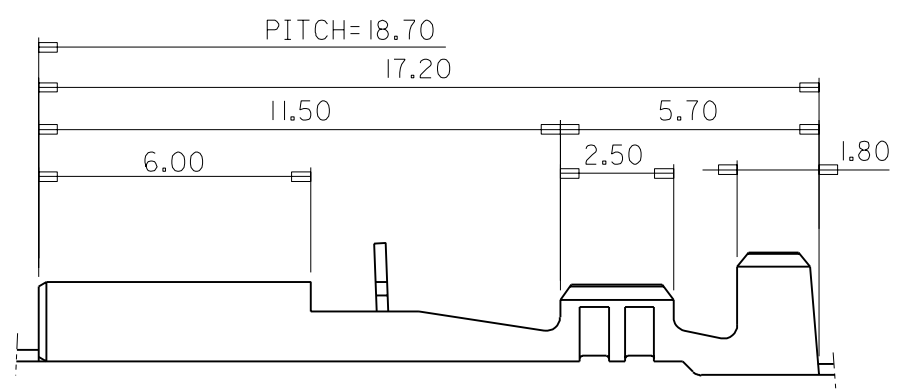
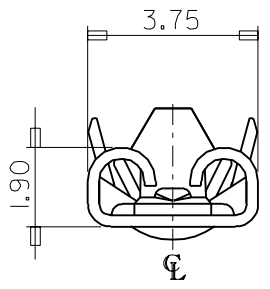
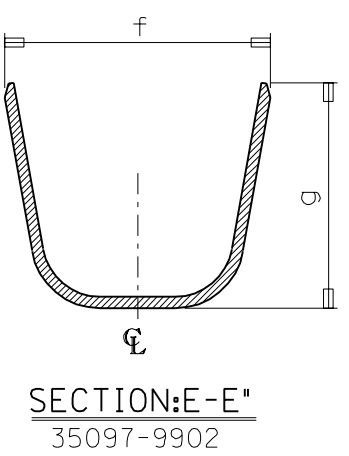
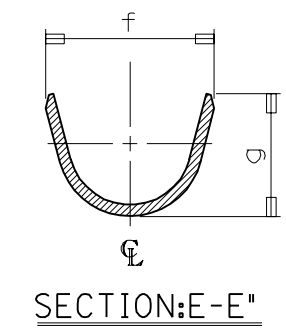
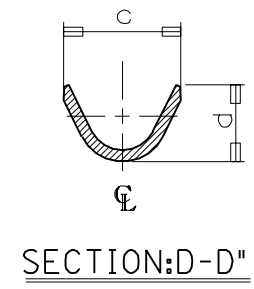
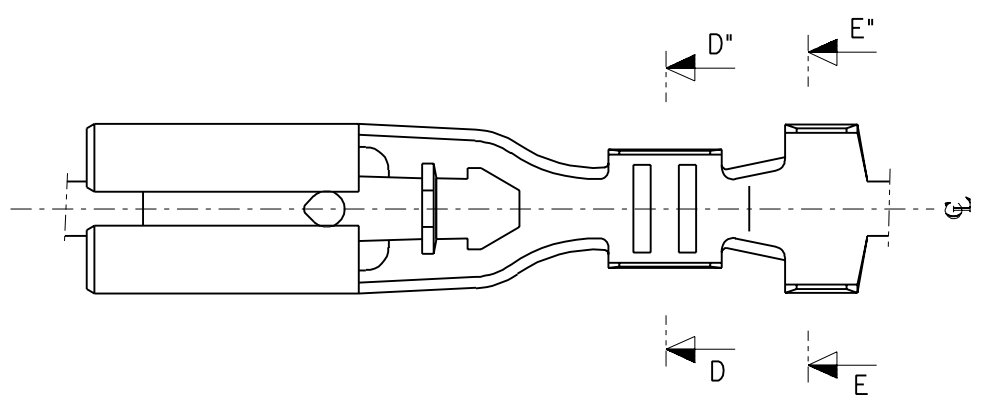
E

D

C

B

A



NOTES

- 1. MATERIAL: TIN-PLATED BRASS 0.25mm THICK'
- 2. FINISH: PRE-TIN PLATING
- 3. MATING TAB: 0.5(+) $\times$  2.8(w)

ENG.NO.	c	d	f	g	WIRE RANGE
35097-9712	2.0	1.85	3.3	3.0	AWG #26-#20
35097-9812	2.8	2.75	4.0	4.1	AWG #20-#16
35097-9912	2.8	2.75	5.9	5.0	AWG #20 $\times$ 2

REVISED EC NO. KOR2000-0090 DRWN: W.Y.YANG 00/11/08 CHK: APPR:	DESCRIPTION	QUALITY SYMBOLS	GENERAL TOLERANCES: (UNLESS SPECIFIED)		SCALE 6:1	DESIGN UNITS <input checked="" type="checkbox"/> mm <input type="checkbox"/> INCH	THIRD ANGLE PROJECTION	DIMENSIONS: <input type="checkbox"/> mm <input type="checkbox"/> INCH <input checked="" type="checkbox"/> mm ONLY	SHT	REV
	REV	MAJOR = 0 CRITICAL = 0	mm	INCH	4 PLACES $\pm 0.$	$\pm.$	TITLE: .110 MP-LOCK RECEPTACLE TERMINAL			

3 PLACES $\pm 0.$	$\pm.$	DRAWN BY & DATE W.Y.YANG 98/02/17			
2 PLACES $\pm 0.30$	$\pm.$	CHECKED BY & DATE B.K.CHOI 98/02/17			
1 PLACE $\pm 0.30$	$\pm.$	APPROVED BY & DATE C.W.LEE 98/02/17			
ANGULAR: $\pm 5.0^\circ$		CAD FILENAME S0979712.DGN		MATERIAL NO. SEE TABLE	DRAWING NO. SD 35097-9*12
DRAFT WHERE APPLICABLE MUST REMAIN WITHIN DIMENSIONS					

MATERIAL NO. SEE TABLE		DRAWING NO. SD 35097-9*12		SHEET NO. 10F1	
---------------------------	--	------------------------------	--	-------------------	--

MATERIAL NO. SEE TABLE						DRAWING NO. SD 35097-9*12						SHEET NO. 10F1	
THIS DRAWING CONTAINS INFORMATION THAT IS PROPRIETARY TO MOLEX INCORPORATED AND SHOULD NOT BE USED WITHOUT WRITTEN PERMISSION.												SIZE B	

8

7

6

5

4

3

2

MX-A3