



Chipsmall Limited consists of a professional team with an average of over 10 year of expertise in the distribution of electronic components. Based in Hongkong, we have already established firm and mutual-benefit business relationships with customers from,Europe,America and south Asia,supplying obsolete and hard-to-find components to meet their specific needs.

With the principle of “Quality Parts,Customers Priority,Honest Operation,and Considerate Service”,our business mainly focus on the distribution of electronic components. Line cards we deal with include Microchip,ALPS,ROHM,Xilinx,Pulse,ON,Everlight and Freescale. Main products comprise IC,Modules,Potentiometer,IC Socket,Relay,Connector.Our parts cover such applications as commercial,industrial, and automotives areas.

We are looking forward to setting up business relationship with you and hope to provide you with the best service and solution. Let us make a better world for our industry!



Contact us

Tel: +86-755-8981 8866 Fax: +86-755-8427 6832

Email & Skype: info@chipsmall.com Web: www.chipsmall.com

Address: A1208, Overseas Decoration Building, #122 Zhenhua RD., Futian, Shenzhen, China



DWG. NO.
SD-35129-001

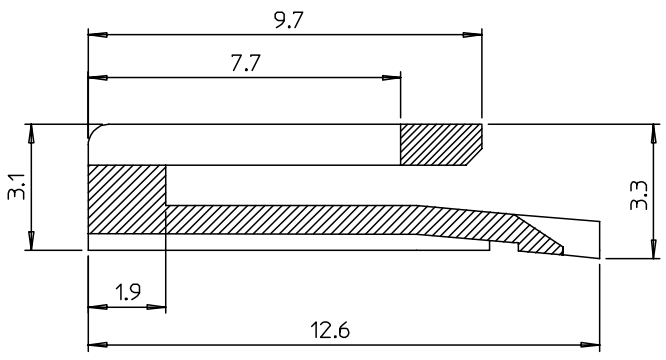
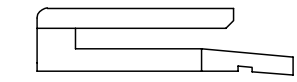
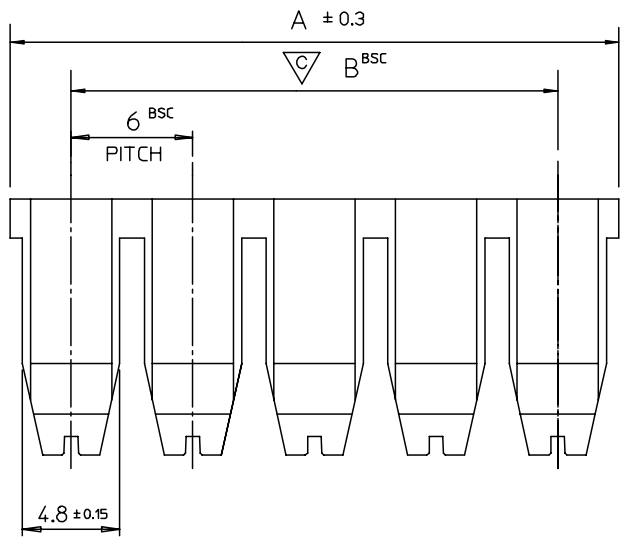
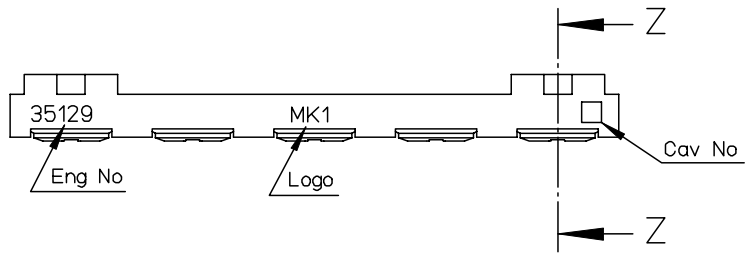
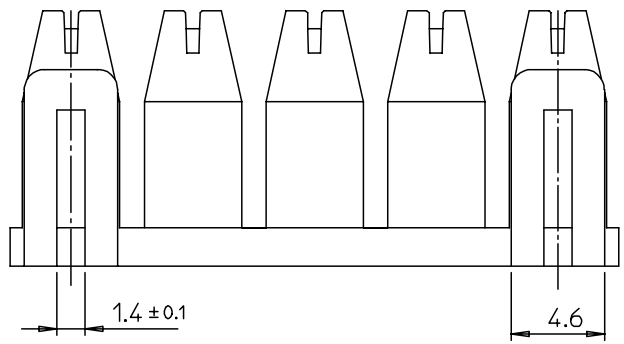
SIMILAR ITEM

PROJECT NO.

C

B

DO NOT SCALE DRAWING
DIMENSION IN METRIC



NOTES

1. MATERIALS: POLYESTER(PBT), UL94V-0, COLOR: NATURAL(WHITE)
2. DRAFT TO BE 0°30' UNLESS SPECIFIED.
3. WARPING TO BE 0.20 MAX.
4. PERMISSIBLE FLASH: 0.10MAX.
5. MATED HOUSING : 35127-****
35128-****
6. PRODUCT SPECIFICATION : PS35129

24	30	351290500	35129-0500	5
18	24	351290400	35129-0400	4
12	18	351290300	35129-0300	3
6	12	351290200	35129-0200	2
B	A	MAT'L NO	ENG NO	CIRCUITS

REVISED ECN NO. KOR2003-0140 DRWN:H.S.SHIN 02.12.17 CHK: J.K.OH APPR: C.W.LEE	DESCRIPTION	QUALITY SYMBOLS	GENERAL TOLERANCES: (UNLESS SPECIFIED)		SCALE 4:1	DESIGN UNITS <input checked="" type="checkbox"/> mm <input type="checkbox"/> INCH	<input checked="" type="checkbox"/> THIRD ANGLE <input type="checkbox"/> PROJECTION	DIMENSIONS: <input type="checkbox"/> mm <input type="checkbox"/> INCH <input checked="" type="checkbox"/> mm ONLY		SHT	REV
		MAJOR =	mm	INCH	DRAWN BY & DATE Y.J.KIM 92.01.29	TITLE: 6.0 PITCH W-t-W TPA		REVISE ON CAD ONLY			
C	REV	CRITICAL C = 1	4 PLACES	±0.	±	CHECKED BY & DATE Y.J.KIM 92.01.29	APPROVED BY & DATE C.W.LEE 92.01.29		MOLEX INCORPORATED		SHEET NO. 1 of 1
			3 PLACES	±0.	±	CAD FILENAME SD35129A_C.MI	MATERIAL NO. SEE TABLE	DRAWING NO. SD-35129-001	SIZE B		
DRAFT WHERE APPLICABLE MUST REMAIN WITHIN DIMENSIONS			ANGULAR: ± 1°			THIS DRAWING CONTAINS INFORMATION THAT IS PROPRIETARY TO MOLEX INCORPORATED AND SHOULD NOT BE USED WITHOUT WRITTEN PERMISSION.			KOREA		MX-A3

F

E

D

C

B

A