



Chipsmall Limited consists of a professional team with an average of over 10 year of expertise in the distribution of electronic components. Based in Hongkong, we have already established firm and mutual-benefit business relationships with customers from,Europe,America and south Asia,supplying obsolete and hard-to-find components to meet their specific needs.

With the principle of “Quality Parts,Customers Priority,Honest Operation,and Considerate Service”,our business mainly focus on the distribution of electronic components. Line cards we deal with include Microchip,ALPS,ROHM,Xilinx,Pulse,ON,Everlight and Freescale. Main products comprise IC,Modules,Potentiometer,IC Socket,Relay,Connector.Our parts cover such applications as commercial,industrial, and automotives areas.

We are looking forward to setting up business relationship with you and hope to provide you with the best service and solution. Let us make a better world for our industry!



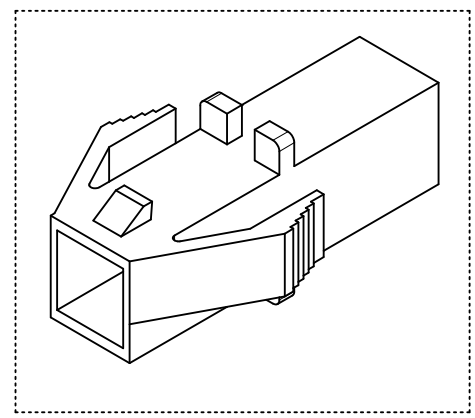
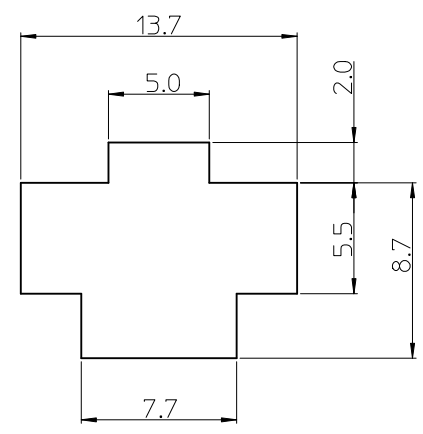
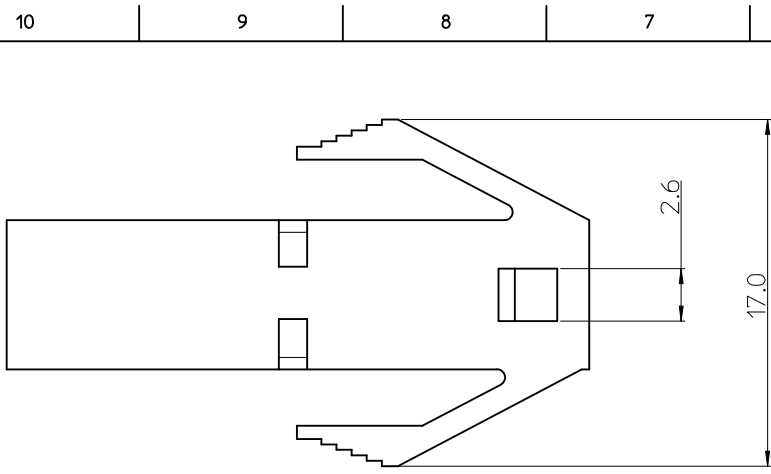
Contact us

Tel: +86-755-8981 8866 Fax: +86-755-8427 6832

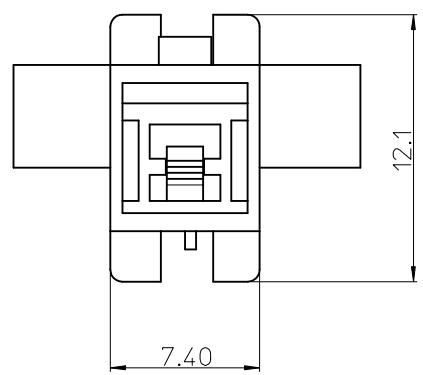
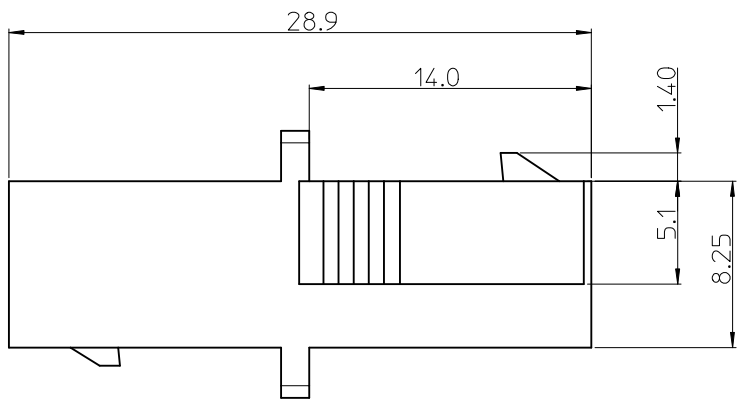
Email & Skype: info@chipsmall.com Web: www.chipsmall.com

Address: A1208, Overseas Decoration Building, #122 Zhenhua RD., Futian, Shenzhen, China





PANEL HOLE DIMENSION



NOTES.

- MATERIAL & COLOR :
 35150-0110 : NATURAL, PBT, UNFILLED, UL94V-0
 35150-0119 : NATURAL, PC/PET, UNFILLED, UL94V-0
- MATED HOUSING : 35151-0110
- APPLICABLE TERMINAL : 35745-0*10
- APPLICABLE TPA : 35182-019*

NEW RELEASE EC NO: KOR2011-0016 DRWN: JHPARK01 2010/08/06 CHKD: SHCHU 2010/08/06 APPR: YUNSIKKIM 2010/08/06	QUALITY SYMBOLS ▽=0 ◻=0	GENERAL TOLERANCES (UNLESS SPECIFIED)		DIMENSION STYLE	SCALE	DESIGN UNITS	THIRD ANGLE PROJECTION	
				MM ONLY	4/1	METRIC		
				DRAWN BY	DATE	TITLE		
				WY. YANG		070 W/W RECEPTACLE HSG-1P		
A	DESCRIPTION REV	4 PLACES ± --- ± --- 3 PLACES ± --- ± --- 2 PLACES ± --- ± --- 1 PLACE ± 0.3 ± --- ANGULAR ± 1°		CHECKED BY	DATE	MOLEX INCORPORATED		
				BK. CHOI				
				APPROVED BY	DATE	MATERIAL NO.	DOCUMENT NO.	SHEET NO.
				CW. LEE		SEE NOTE	SD-35150-0110	1 OF 1
DRAFT WHERE APPLICABLE MUST REMAIN WITHIN DIMENSIONS				SIZE	THIS DRAWING CONTAINS INFORMATION THAT IS PROPRIETARY TO MOLEX INCORPORATED AND SHOULD NOT BE USED WITHOUT WRITTEN PERMISSION			
				A3				