

Chipsmall Limited consists of a professional team with an average of over 10 year of expertise in the distribution of electronic components. Based in Hongkong, we have already established firm and mutual-benefit business relationships with customers from,Europe,America and south Asia,supplying obsolete and hard-to-find components to meet their specific needs.

With the principle of “Quality Parts,Customers Priority,Honest Operation,and Considerate Service”,our business mainly focus on the distribution of electronic components. Line cards we deal with include Microchip,ALPS,ROHM,Xilinx,Pulse,ON,Everlight and Freescale. Main products comprise IC,Modules,Potentiometer,IC Socket,Relay,Connector.Our parts cover such applications as commercial,industrial, and automotives areas.

We are looking forward to setting up business relationship with you and hope to provide you with the best service and solution. Let us make a better world for our industry!

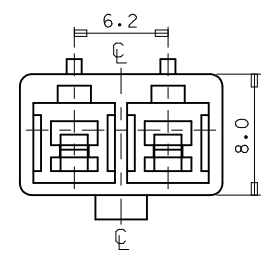
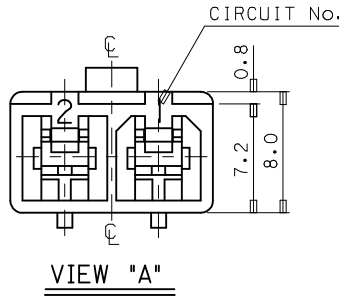


## Contact us

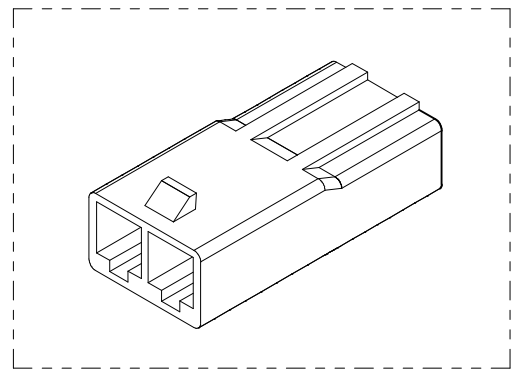
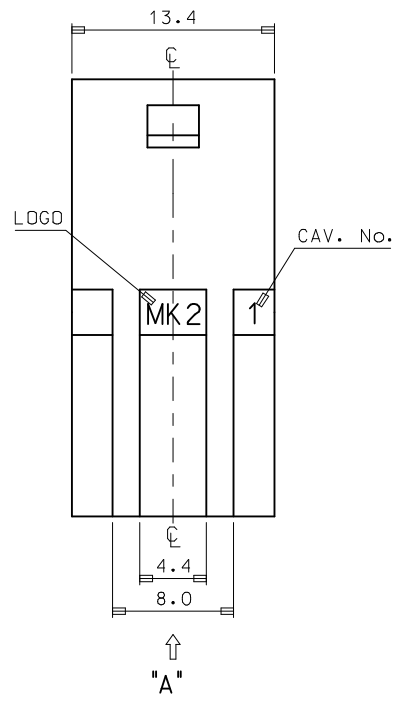
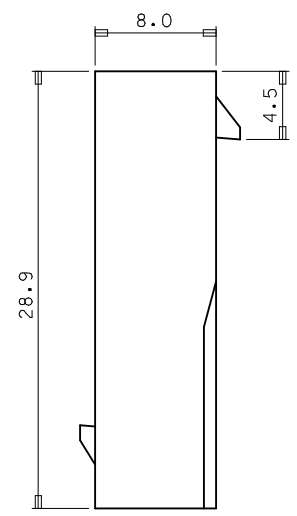
Tel: +86-755-8981 8866 Fax: +86-755-8427 6832

Email & Skype: info@chipsmall.com Web: www.chipsmall.com

Address: A1208, Overseas Decoration Building, #122 Zhenhua RD., Futian, Shenzhen, China



- NOTES
1. MATERIAL : SEE TABLE
  2. COLOR : SEE TABLE
  3. MATCHED HOUSING : 35151-021\*  
35150-029\* (TPA)
  4. APPLIED TERMINAL : 35745-0\*10



NO	PRODUCT		MATERIAL	
	PART NO	MATERIAL NO	COLOR	DESCRIPTION
1	35150-0200	351500200	NATURAL	PBT (UL94V-0)
2	35150-0202	351500202	RED	
3	35150-0204	351500204	BLUE	
4	35150-0209	351500209	NATURAL	PC/PET (UL94V-0)
5	35150-2209	351502209	RED	
6	35150-3209	351503209	YELLOW	
7	35150-4209	351504209	BLUE	

REVISED  
 EC NO: KOR2009-0026  
 DRWN: JHPARK01 2008/09/25  
 CHKD: WY YANG 2008/11/25  
 APPR: YUNSIKKIM 2008/11/25

QUALITY SYMBOLS  
 ▽=0  
 ∇=0

	GENERAL TOLERANCES (UNLESS SPECIFIED)	
	mm	INCH
4 PLACES	± ---	± ---
3 PLACES	± ---	± ---
2 PLACES	± ---	± ---
1 PLACE	± 0.2	± ---
ANGULAR ± 1 °		

DRAFT WHERE APPLICABLE  
MUST REMAIN  
WITHIN DIMENSIONS

DIMENSION STYLE	
MM ONLY	
DRAWN BY	DATE
JS. KANG	
CHECKED BY	DATE
APPROVED BY	DATE
MATERIAL NO.	SEE TABLE
SIZE	A3

SCALE	DESIGN UNITS	THIRD ANGLE PROJECTION
3:1	METRIC	☉
TITLE 6.2 PITCH W/W CONN MALE HOUSING-2P(W/O EAR)		
MOLEX INCORPORATED		
MATERIAL NO.	DOCUMENT NO.	SHEET NO.
SEE TABLE	SD-35150-020*	1 OF 01
THIS DRAWING CONTAINS INFORMATION THAT IS PROPRIETARY TO MOLEX INCORPORATED AND SHOULD NOT BE USED WITHOUT WRITTEN PERMISSION		