



Chipsmall Limited consists of a professional team with an average of over 10 year of expertise in the distribution of electronic components. Based in Hongkong, we have already established firm and mutual-benefit business relationships with customers from,Europe,America and south Asia,supplying obsolete and hard-to-find components to meet their specific needs.

With the principle of “Quality Parts,Customers Priority,Honest Operation,and Considerate Service”,our business mainly focus on the distribution of electronic components. Line cards we deal with include Microchip,ALPS,ROHM,Xilinx,Pulse,ON,Everlight and Freescale. Main products comprise IC,Modules,Potentiometer,IC Socket,Relay,Connector.Our parts cover such applications as commercial,industrial, and automotives areas.

We are looking forward to setting up business relationship with you and hope to provide you with the best service and solution. Let us make a better world for our industry!



## Contact us

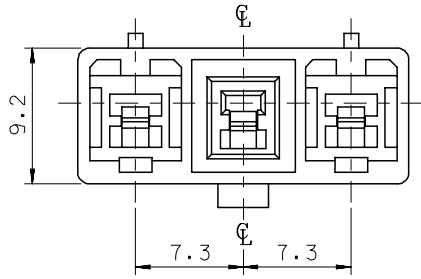
Tel: +86-755-8981 8866 Fax: +86-755-8427 6832

Email & Skype: info@chipsmall.com Web: www.chipsmall.com

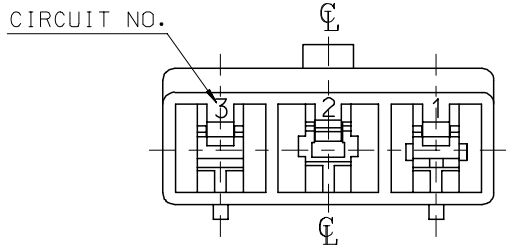
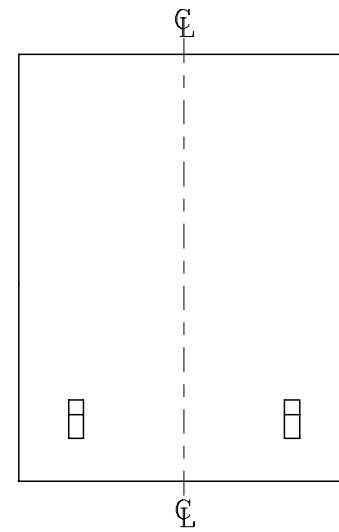
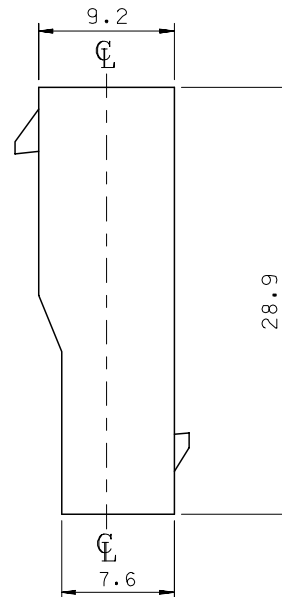
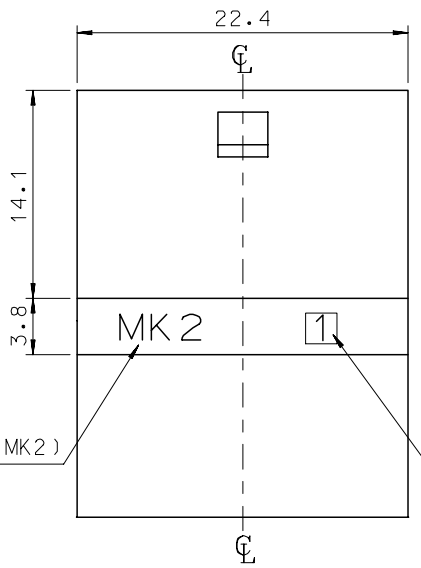
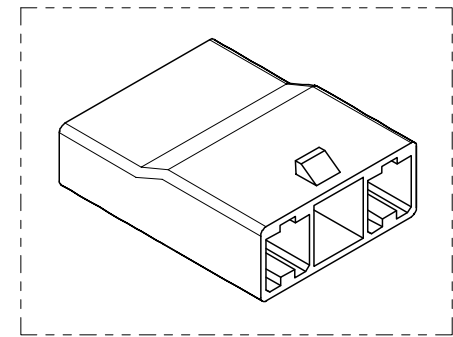
Address: A1208, Overseas Decoration Building, #122 Zhenhua RD., Futian, Shenzhen, China



10 9 8 7 6 5 4 3 2 1



- NOTES
1. MATERIAL & COLOR : SEE TABLE
  2. MATCHED HOUSING : 35151-031\*  
35150-069\* (T.P.A)
  3. APPLICABLE TERMINAL : 35745-0\*10 (1 CIRCUIT)  
35746-0\*10 (2 CIRCUIT)  
35747-0\*10 (3 CIRCUIT)



NO	PRODUCT		MATERIAL	
	PART NO	MATERIAL NO	COLOR	DESCRIPTION
1	35150-0300	351500300	NATURAL	PBT
2	35150-0304	351500304	BLUE	(UL94V-0)
3	35150-0309	351500309	NATURAL	PBT/PC
4	35150-3309	351503309	YELLOW	(UL94V-0)

REVISED  
EC NO: KOR2008-0078  
DRWN: JHPARK01 2007/09/10  
CHKD: WY. YANG 2007/09/10  
APPR: YUNSIKKIM 2007/09/10

QUALITY SYMBOLS  
▽=0  
▽=0

GENERAL TOLERANCES (UNLESS SPECIFIED)

	mm	INCH
4 PLACES	± ---	± ---
3 PLACES	± ---	± ---
2 PLACES	± ---	± ---
1 PLACE	± 0.3	± ---
ANGULAR ± 1 °		

DRAFT WHERE APPLICABLE MUST REMAIN WITHIN DIMENSIONS

DIMENSION STYLE  
MM ONLY

DRAWN BY JS. KANG DATE 1995/12/11  
CHECKED BY BK. CHOI DATE 1995/12/11  
APPROVED BY CW. LEE DATE 1995/12/11

MATERIAL NO. SEE TABLE

SCALE 3:1  
DESIGN UNITS METRIC  
THIRD ANGLE PROJECTION

7.3 PITCH W/W CONN  
MALE HSG-3P(W/O EAR)

MOLEX INCORPORATED

DOCUMENT NO. SD-35150-030\*  
SHEET NO. 1 OF 01

9 8 7 6 5 4 3 2 1