



Chipsmall Limited consists of a professional team with an average of over 10 year of expertise in the distribution of electronic components. Based in Hongkong, we have already established firm and mutual-benefit business relationships with customers from,Europe,America and south Asia,supplying obsolete and hard-to-find components to meet their specific needs.

With the principle of “Quality Parts,Customers Priority,Honest Operation,and Considerate Service”,our business mainly focus on the distribution of electronic components. Line cards we deal with include Microchip,ALPS,ROHM,Xilinx,Pulse,ON,Everlight and Freescale. Main products comprise IC,Modules,Potentiometer,IC Socket,Relay,Connector.Our parts cover such applications as commercial,industrial, and automotives areas.

We are looking forward to setting up business relationship with you and hope to provide you with the best service and solution. Let us make a better world for our industry!



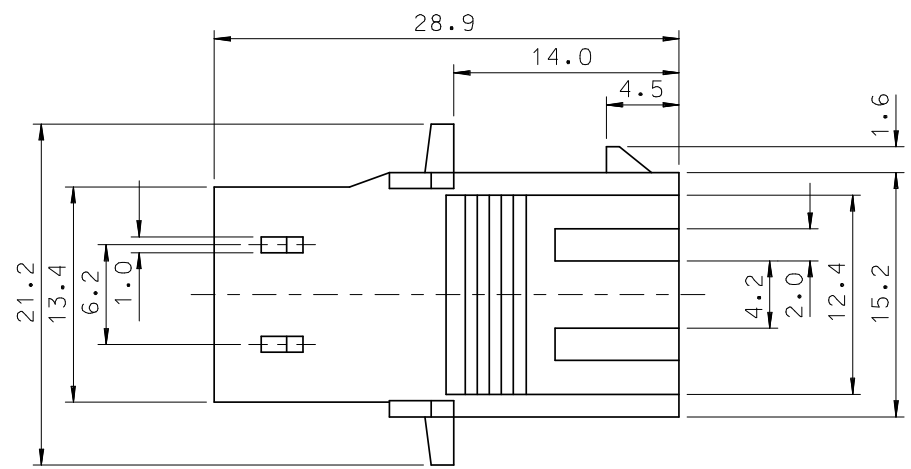
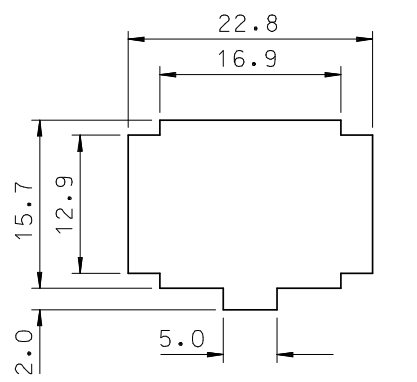
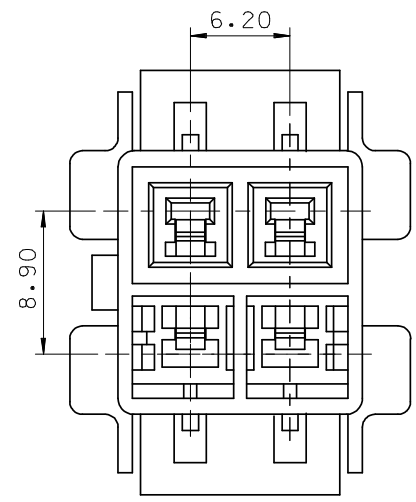
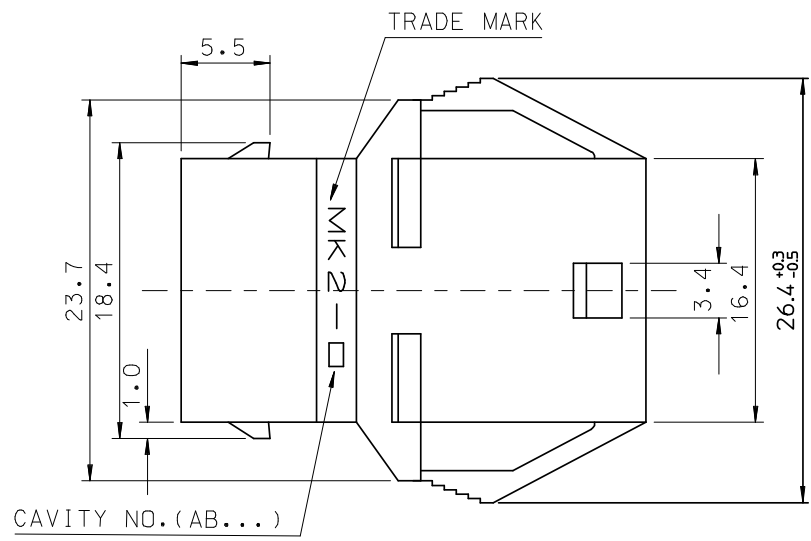
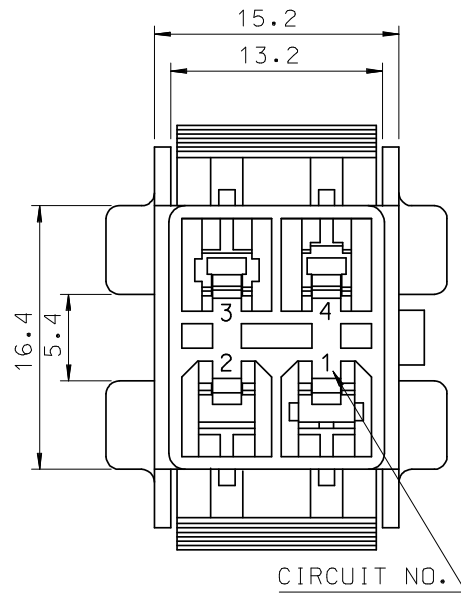
Contact us

Tel: +86-755-8981 8866 Fax: +86-755-8427 6832

Email & Skype: info@chipsmall.com Web: www.chipsmall.com

Address: A1208, Overseas Decoration Building, #122 Zhenhua RD., Futian, Shenzhen, China





- NOTES
1. MATERIAL : SEE TABLE
 2. MATED HOUSING: 35151-041*
 3. APPLICABLE TERMINAL : 35745-**** (1CKT)
35746-**** (3CKT)
35747-**** (2CKT)
35748-**** (4CKT)
 4. APPLICABLE T.P.A: 35150-0290

NO	PRODUCT		MATERIAL	
	PART NO	MATERIAL NO	COLOR	DESCRIPTION
1	35150-0410	351500410	NATURAL	PBT (UL94V-0)
2	35150-0412	351500412	RED	
3	35150-0414	351500414	BLUE	
4	35150-0419	351500419	NATURAL	PBT/PC (UL94V-0)
5	35150-3419	351503419	YELLOW	
6	35150-4419	351504419	BLUE	

REVISED
 EC NO: KOR2008-0179
 DRWN: SKHAN01 2008/04/29
 CHKD: WY. YANG 2008/04/29
 APPR: YUNS IKK IM 2008/04/29

QUALITY SYMBOLS
 ▽=0
 ▽=0

GENERAL TOLERANCES (UNLESS SPECIFIED)

	mm	INCH
4 PLACES	± ---	± ---
3 PLACES	± ---	± ---
2 PLACES	± 0.3	± ---
1 PLACE	± 0.3	± ---

ANGULAR ± 1°

DRAFT WHERE APPLICABLE
 MUST REMAIN
 WITHIN DIMENSIONS

DIMENSION STYLE
 MM ONLY

SCALE
 2:1

DESIGN UNITS
 METRIC

THIRD ANGLE PROJECTION

DRAWN BY
 WY. YANG

DATE
 1993/08/19

CHECKED BY
 BK. CHOI

DATE
 1993/08/19

APPROVED BY
 CW. LEE

DATE
 1993/08/19

MATERIAL NO.
 SEE TABLE

DOCUMENT NO.
 SD-35150-0410

SHEET NO.
 1 OF 01

THIS DRAWING CONTAINS INFORMATION THAT IS PROPRIETARY TO MOLEX INCORPORATED AND SHOULD NOT BE USED WITHOUT WRITTEN PERMISSION

MOLEX INCORPORATED

6.2 PITCH W/W MALE HOUSING-4P (EAR)