



Chipsmall Limited consists of a professional team with an average of over 10 year of expertise in the distribution of electronic components. Based in Hongkong, we have already established firm and mutual-benefit business relationships with customers from,Europe,America and south Asia,supplying obsolete and hard-to-find components to meet their specific needs.

With the principle of “Quality Parts,Customers Priority,Honest Operation,and Considerate Service”,our business mainly focus on the distribution of electronic components. Line cards we deal with include Microchip,ALPS,ROHM,Xilinx,Pulse,ON,Everlight and Freescale. Main products comprise IC,Modules,Potentiometer,IC Socket,Relay,Connector.Our parts cover such applications as commercial,industrial, and automotives areas.

We are looking forward to setting up business relationship with you and hope to provide you with the best service and solution. Let us make a better world for our industry!



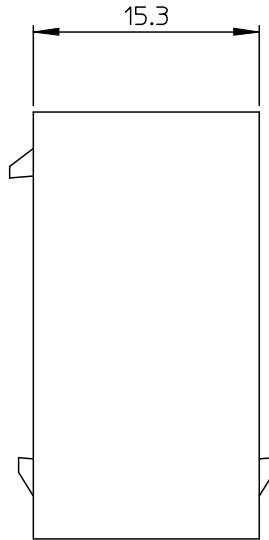
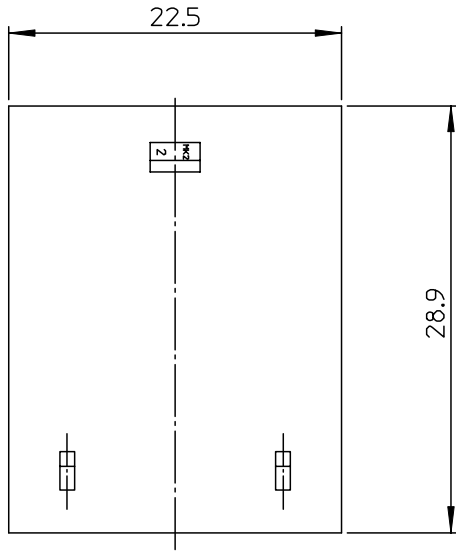
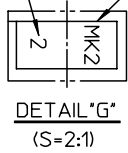
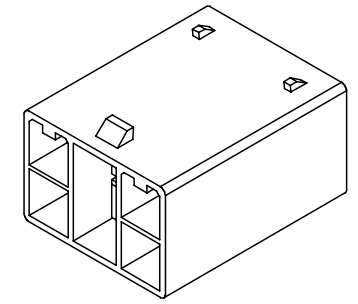
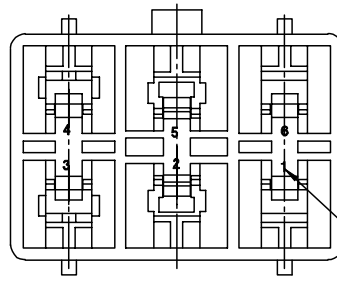
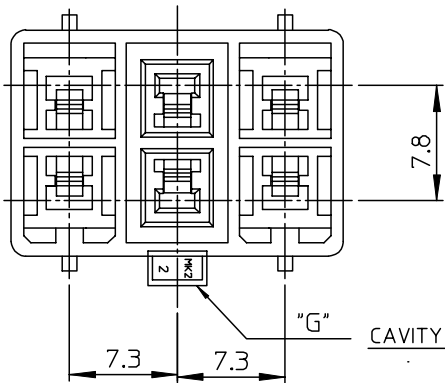
## Contact us

Tel: +86-755-8981 8866 Fax: +86-755-8427 6832

Email & Skype: info@chipsmall.com Web: www.chipsmall.com

Address: A1208, Overseas Decoration Building, #122 Zhenhua RD., Futian, Shenzhen, China





MATERIAL	MATERIAL NO.	ENG NO.	COLOR
POLYESTER(P.B.T) (UL94V-0)	351500600	35150-0600	NATURAL
	351500604	35150-0604	BLUE
PBT/PC (UL94V-0)	351500609	35150-0609	NATURAL
	351503609	35150-3609	YELLOW

NOTES

- MATED HOUSING : 35151-061\*
- APPLICABLE TERMINAL : 35745-0\*10 (3,4 CIRCUIT)  
35746-0\*10 (2,5 CIRCUIT)  
35747-0\*10 (1,6 CIRCUIT)



REVISED EC NO: KOR2008-0078 DRWN: JHPARK01 2007/09/10 CHKD: W. YANG 2007/09/10 APPR: YUNSIKKIM 2007/09/10	QUALITY SYMBOLS	GENERAL TOLERANCES (UNLESS SPECIFIED)	DIMENSION STYLE MM ONLY	SCALE 2:1	DESIGN UNITS METRIC	THIRD ANGLE PROJECTION																							
	$\nabla = 0$ $\nabla C = 0$	<table border="1"> <thead> <tr> <th></th> <th>mm</th> <th>INCH</th> </tr> </thead> <tbody> <tr> <td>4 PLACES</td> <td>± ---</td> <td>± ---</td> </tr> <tr> <td>3 PLACES</td> <td>± ---</td> <td>± ---</td> </tr> <tr> <td>2 PLACES</td> <td>± 0.3</td> <td>± ---</td> </tr> <tr> <td>1 PLACE</td> <td>± 0.3</td> <td>± ---</td> </tr> </tbody> </table>		mm	INCH	4 PLACES	± ---	± ---	3 PLACES	± ---	± ---	2 PLACES	± 0.3	± ---	1 PLACE	± 0.3	± ---	<table border="1"> <thead> <tr> <th>DESCRIPTION</th> <th>DATE</th> </tr> </thead> <tbody> <tr> <td>DRAWN BY BK. CHOI</td> <td>1993/05/19</td> </tr> <tr> <td>CHECKED BY BK. CHOI</td> <td>1993/05/19</td> </tr> <tr> <td>APPROVED BY CW. LEE</td> <td>1993/05/19</td> </tr> </tbody> </table>	DESCRIPTION	DATE	DRAWN BY BK. CHOI	1993/05/19	CHECKED BY BK. CHOI	1993/05/19	APPROVED BY CW. LEE	1993/05/19	TITLE <b>7.3 PITCH W/W CONN. MALE HSG-6P(W/O EAR)</b>		
		mm	INCH																										
	4 PLACES	± ---	± ---																										
3 PLACES	± ---	± ---																											
2 PLACES	± 0.3	± ---																											
1 PLACE	± 0.3	± ---																											
DESCRIPTION	DATE																												
DRAWN BY BK. CHOI	1993/05/19																												
CHECKED BY BK. CHOI	1993/05/19																												
APPROVED BY CW. LEE	1993/05/19																												
DRAFT WHERE APPLICABLE MUST REMAIN WITHIN DIMENSIONS	SEE TABLE	MATERIAL NO. <b>SD-35150-060</b>	DOCUMENT NO.	SHEET NO. <b>1 OF 01</b>																									