



Chipsmall Limited consists of a professional team with an average of over 10 year of expertise in the distribution of electronic components. Based in Hongkong, we have already established firm and mutual-benefit business relationships with customers from,Europe,America and south Asia,supplying obsolete and hard-to-find components to meet their specific needs.

With the principle of “Quality Parts,Customers Priority,Honest Operation,and Considerate Service”,our business mainly focus on the distribution of electronic components. Line cards we deal with include Microchip,ALPS,ROHM,Xilinx,Pulse,ON,Everlight and Freescale. Main products comprise IC,Modules,Potentiometer,IC Socket,Relay,Connector.Our parts cover such applications as commercial,industrial, and automotives areas.

We are looking forward to setting up business relationship with you and hope to provide you with the best service and solution. Let us make a better world for our industry!



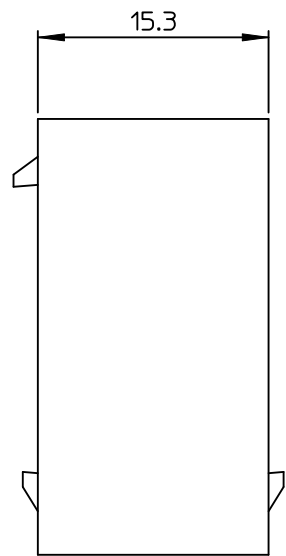
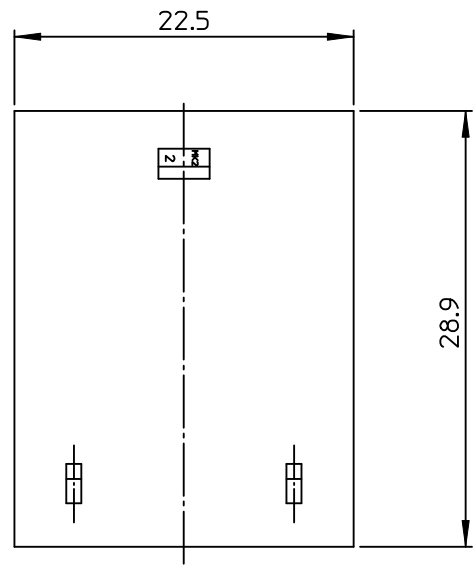
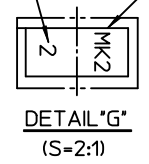
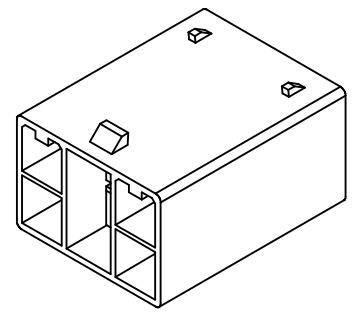
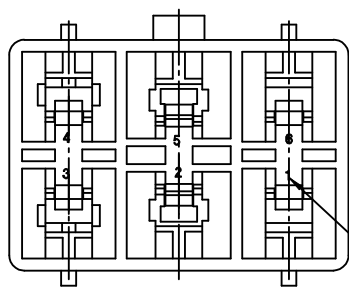
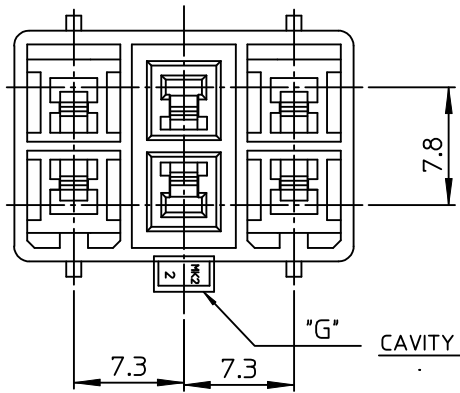
Contact us

Tel: +86-755-8981 8866 Fax: +86-755-8427 6832

Email & Skype: info@chipsmall.com Web: www.chipsmall.com

Address: A1208, Overseas Decoration Building, #122 Zhenhua RD., Futian, Shenzhen, China





MATERIAL	MATERIAL NO.	ENG NO.	COLOR
POLYESTER(P.B.T) (UL94V-0)	351500600	35150-0600	NATURAL
	351500604	35150-0604	BLUE
PC/PET (UL94V-0)	351500609	35150-0609	NATURAL
	351503609	35150-3609	YELLOW

- NOTES
- MATED HOUSING : 35151-061*
35150-039* (TPA)
 - APPLICABLE TERMINAL : 35745-0*10 (3,4 CIRCUIT)
35746-0*10 (2,5 CIRCUIT)
35747-0*10 (1,6 CIRCUIT)



REVISED EC NO: KOR2009-0026 DRAWN: JHPARK01 2008/09/25 CHKD: WY. YANG 2008/11/25 APPR: YUNSIKKIM 2008/11/25	QUALITY SYMBOLS ▽=0 ▽=0	GENERAL TOLERANCES (UNLESS SPECIFIED)		DIMENSION STYLE MM ONLY		SCALE 2:1	DESIGN UNITS METRIC	THIRD ANGLE PROJECTION		
		4 PLACES	± ---	± ---	DRAWN BY	DATE	TITLE 7.3 PITCH W/W CONN. MALE HSG-6P(W/O EAR)			
		3 PLACES	± ---	± ---	BK. CHOI	1993/05/19				
		2 PLACES	± 0.3	± ---	CHECKED BY	DATE	MOLEX INCORPORATED			
1 PLACE	± 0.3	± ---	BK. CHOI	1993/05/19						
		ANGULAR ± 1 °		APPROVED BY	DATE	MATERIAL NO.		DOCUMENT NO.		
		DRAFT WHERE APPLICABLE MUST REMAIN WITHIN DIMENSIONS		CW. LEE 1993/05/19		SEE TABLE		SD-35150-060		
				SIZE A3		THIS DRAWING CONTAINS INFORMATION THAT IS PROPRIETARY TO MOLEX INCORPORATED AND SHOULD NOT BE USED WITHOUT WRITTEN PERMISSION		SHEET NO. 1 OF 01		