



Chipsmall Limited consists of a professional team with an average of over 10 year of expertise in the distribution of electronic components. Based in Hongkong, we have already established firm and mutual-benefit business relationships with customers from,Europe,America and south Asia,supplying obsolete and hard-to-find components to meet their specific needs.

With the principle of “Quality Parts,Customers Priority,Honest Operation,and Considerate Service”,our business mainly focus on the distribution of electronic components. Line cards we deal with include Microchip,ALPS,ROHM,Xilinx,Pulse,ON,Everlight and Freescale. Main products comprise IC,Modules,Potentiometer,IC Socket,Relay,Connector.Our parts cover such applications as commercial,industrial, and automotives areas.

We are looking forward to setting up business relationship with you and hope to provide you with the best service and solution. Let us make a better world for our industry!



Contact us

Tel: +86-755-8981 8866 Fax: +86-755-8427 6832

Email & Skype: info@chipsmall.com Web: www.chipsmall.com

Address: A1208, Overseas Decoration Building, #122 Zhenhua RD., Futian, Shenzhen, China



10 9 8 7 6 5 4 3 2 1

F

E

D

C

B

A

F

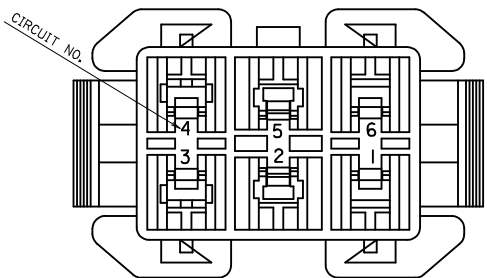
E

D

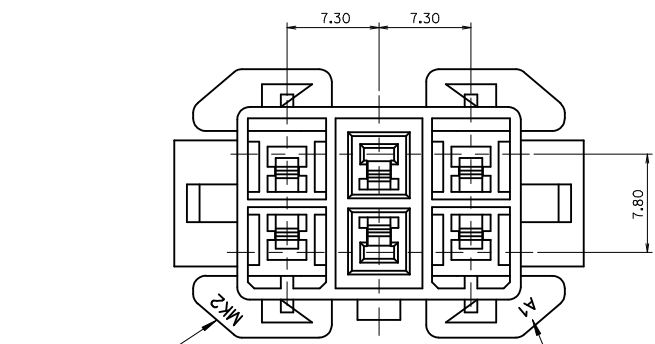
C

B

A

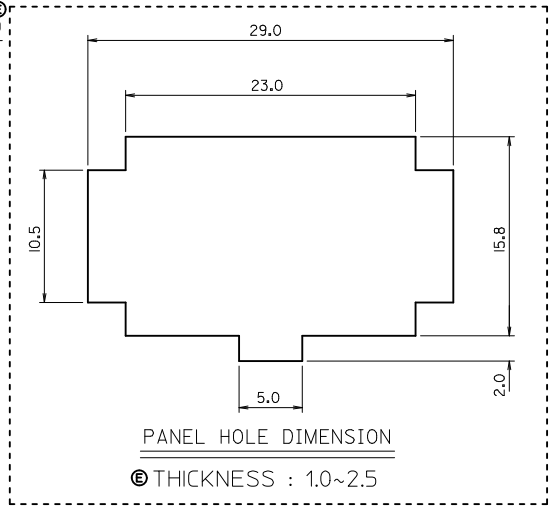
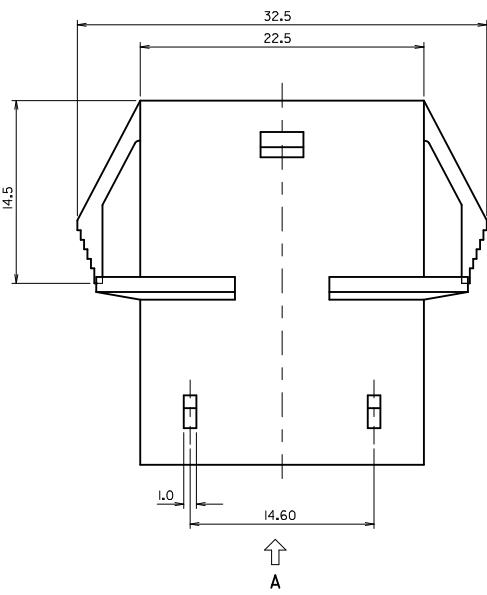
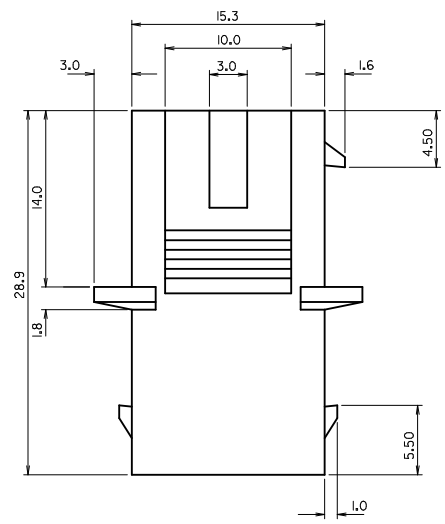
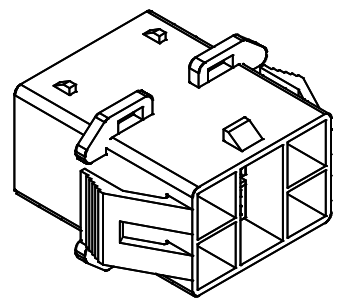


VIEW "A"



TRADE MARK (MK2)

TOOL NO&CAVITY NO (TOOL:A,B..CAV:1,2..)



PANEL HOLE DIMENSION
 Ⓢ THICKNESS : 1.0~2.5

- NOTES.
1. MATERIAL & COLOR : SEE TABLE
 2. MATED HOUSING : 35151-061*/*619
 3. APPLICABLE TERMINAL : 35745-**** (3,4 CKT)
 35746-**** (2,5 CKT)
 35747-**** (1,6 CKT)
 4. APPLICABLE T.P.A : 35150-039*
 5. PRODUCT SPECIFICATION : PS-35150-003

NO	PRODUCT	MATERIAL	
	PART NO	COLOR	DESCRIPTION
1	35150-0610	NATURAL	POLYESTER (PBT) (UL94V-0)
2	35150-0612	RED	
3	35150-0614	BLUE	
4	35150-0619	NATURAL	PC/PET (UL94V-0)
5Ⓢ	35150-2619	RED	
6	35150-3619	YELLOW	
7	35150-4619	BLUE	

REVISED	EC NO: KOR2010-0092	2010/01/14	QUALITY SYMBOLS
	DRWN: JHPARK01	2010/01/14	
	CHKD: WY. YANG	2010/01/14	
	APPR: YUNSIKIM	2010/01/14	
REV	DESCRIPTION		

GENERAL TOLERANCES (UNLESS SPECIFIED)	
mm	INCH
4 PLACES	± --- ± ---
3 PLACES	± --- ± ---
2 PLACES	± 0.3 ± ---
1 PLACE	± 0.3 ± ---
ANGULAR ± 3 °	
DRAFT WHERE APPLICABLE MUST REMAIN WITHIN DIMENSIONS	

DIMENSION STYLE		SCALE	DESIGN UNITS
MM ONLY		1:1	METRIC
DRAWN BY	DATE	TITLE	
WY. YANG	1992/09/14	7.3 PITCH W/W MALE HOUSING-6P	
CHECKED BY	DATE		
BK. CHOI	1992/09/14		
APPROVED BY	DATE		
MATERIAL NO.		DOCUMENT NO.	SHEET NO.
SEE TABLE		SD-35150-061*	1 OF 01
SIZE	THIS DRAWING CONTAINS INFORMATION THAT IS PROPRIETARY TO MOLEX INCORPORATED AND SHOULD NOT BE USED WITHOUT WRITTEN PERMISSION		
A3			

THIRD ANGLE PROJECTION	
MOLEX INCORPORATED	

9 8 7 6 5 4 3 2 1