



Chipsmall Limited consists of a professional team with an average of over 10 year of expertise in the distribution of electronic components. Based in Hongkong, we have already established firm and mutual-benefit business relationships with customers from,Europe,America and south Asia,supplying obsolete and hard-to-find components to meet their specific needs.

With the principle of "Quality Parts,Customers Priority,Honest Operation,and Considerate Service",our business mainly focus on the distribution of electronic components. Line cards we deal with include Microchip,ALPS,ROHM,Xilinx,Pulse,ON,Everlight and Freescale. Main products comprise IC,Modules,Potentiometer,IC Socket,Relay,Connector.Our parts cover such applications as commercial,industrial, and automotives areas.

We are looking forward to setting up business relationship with you and hope to provide you with the best service and solution. Let us make a better world for our industry!



Contact us

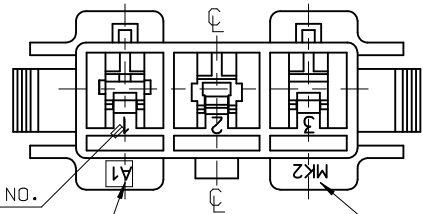
Tel: +86-755-8981 8866 Fax: +86-755-8427 6832

Email & Skype: info@chipsmall.com Web: www.chipsmall.com

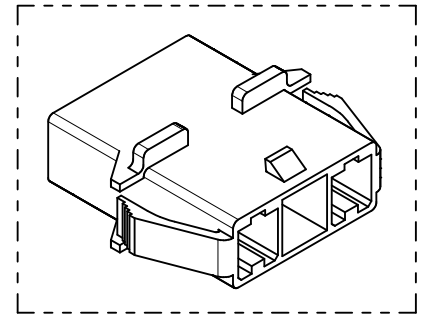
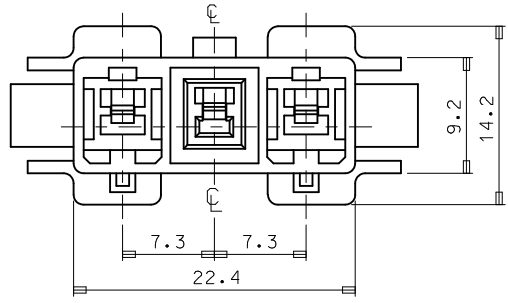
Address: A1208, Overseas Decoration Building, #122 Zhenhua RD., Futian, Shenzhen, China



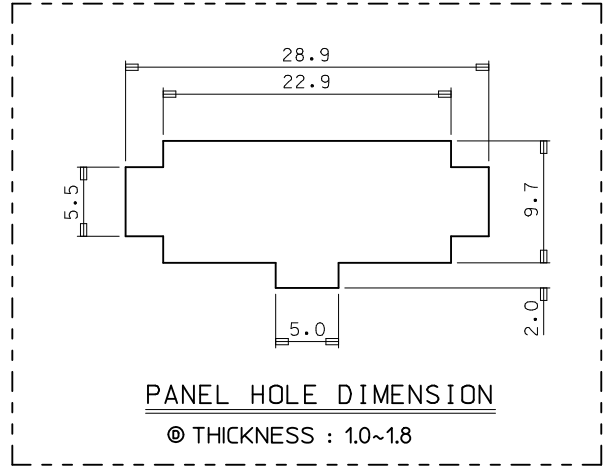
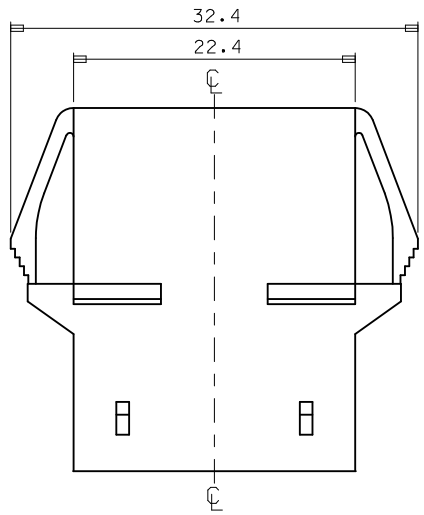
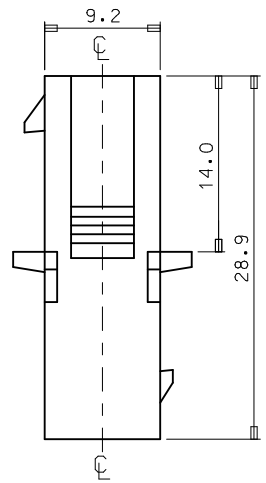
10 9 8 7 6 5 4 3 2 1



CIRCUIT NO.
 © TOOL NO & CAVITY NO
 (TOOL:A.B. CAV:1.2.)
VIEW "A"
 TRADE MARK
 (MK2)



- NOTES.
1. MATERIAL & COLOR : SEE TABLE
 2. MATED HOUSING : 35151-031*
 3. APPLICABLE TERMINAL : 35745-0*10 (1 CIRCUIT)
 35746-0*10 (2 CIRCUIT)
 35747-0*10 (3 CIRCUIT)
 4. APPLICABLE T.P.A : 35150-039*
 5. PRODUCT SPECIFICATION : PS-35150-003



NO	PRODUCT		MATERIAL
	PART NO	COLOR	DESCRIPTION
1	35150-0310	NATURAL	POLYESTER (PBT) (UL94V-0)
2	35150-0314	BLUE	
3	35150-0319	NATURAL	
4	35150-2319	RED	PC/PET (UL94V-0)
5	35150-3319	YELLOW	
6	35150-4319	BLUE	

REVISED
 EC NO: KOR2010-0092
 DRWN: JHPARK01 2010/01/14
 CHKD: WY. YANG 2010/01/14
 APPR: YUNSIKKIM 2010/01/14

QUALITY SYMBOLS	GENERAL TOLERANCES (UNLESS SPECIFIED)	
	mm	INCH
▽=0	4 PLACES ± ---	± ---
∇=0	3 PLACES ± ---	± ---
	2 PLACES ± ---	± ---
	1 PLACE ± 0.3	± ---
	ANGULAR ± 1 °	
	DRAFT WHERE APPLICABLE MUST REMAIN WITHIN DIMENSIONS	

DIMENSION STYLE		SCALE	DESIGN UNITS	THIRD ANGLE PROJECTION
MM ONLY		1:1	METRIC	
DRAWN BY JS.KANG	DATE	TITLE 7.3 PITCH W/W CONN MALE HSG-3P(W/EAR)		
CHECKED BY	DATE	APPROVED BY		
MATERIAL NO.		DOCUMENT NO.		SHEET NO.
SEE TABLE		SD-35150-031*		1 OF 01
THIS DRAWING CONTAINS INFORMATION THAT IS PROPRIETARY TO MOLEX INCORPORATED AND SHOULD NOT BE USED WITHOUT WRITTEN PERMISSION				

9 8 7 6 5 4 3 2 1