



Chipsmall Limited consists of a professional team with an average of over 10 year of expertise in the distribution of electronic components. Based in Hongkong, we have already established firm and mutual-benefit business relationships with customers from,Europe,America and south Asia,supplying obsolete and hard-to-find components to meet their specific needs.

With the principle of “Quality Parts,Customers Priority,Honest Operation,and Considerate Service”,our business mainly focus on the distribution of electronic components. Line cards we deal with include Microchip,ALPS,ROHM,Xilinx,Pulse,ON,Everlight and Freescale. Main products comprise IC,Modules,Potentiometer,IC Socket,Relay,Connector.Our parts cover such applications as commercial,industrial, and automotives areas.

We are looking forward to setting up business relationship with you and hope to provide you with the best service and solution. Let us make a better world for our industry!



Contact us

Tel: +86-755-8981 8866 Fax: +86-755-8427 6832

Email & Skype: info@chipsmall.com Web: www.chipsmall.com

Address: A1208, Overseas Decoration Building, #122 Zhenhua RD., Futian, Shenzhen, China



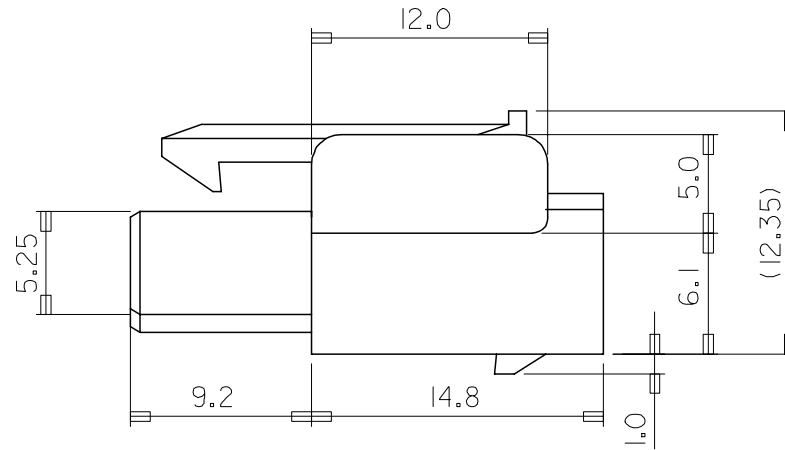
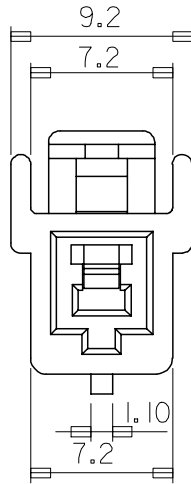
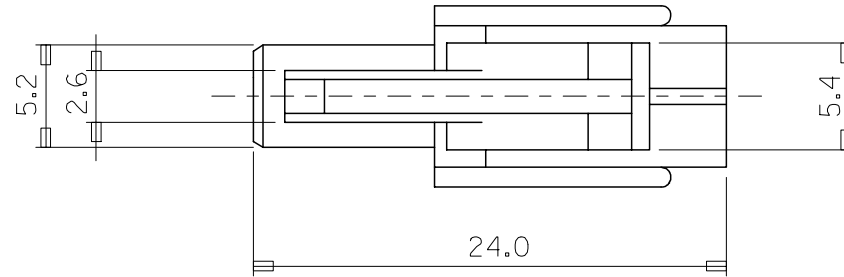
10 9 8 7 6 5 4 3 2 1

F

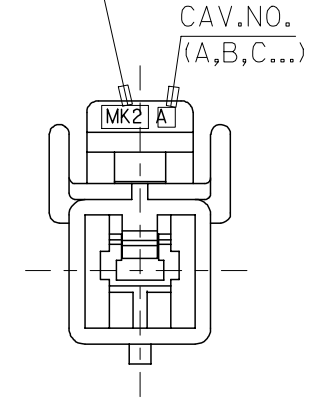
F

NOTES

1. HOUSING COLOR: SEE TABLE
2. MATING HOUSING: 35150-0100
3. APPLICABLE TERMINAL: 35746-0*10
4. APPLICABLE TPA: 35182-019*



TRADE MARK
(MK2)



D

D

C

C

B

B

NO	PRODUCT		MATERIAL	
	PART NO	MATERIAL NO	COLOR	DESCRIPTION
1	35151-0110	351510110	NATURAL	PBT (UL94V-0)
2	35151-0112	351510112	RED	
3	35151-0114	351510114	BLUE	PBT/PC
4	35151-0119	351510119	NATURAL	

REVISED
EC NO: KOR2008-0078
DRWN: JHPARK01 2007/09/10
CHKD: WY. YANG 2007/09/10
APPR: YUNSIKKIM 2007/09/10

QUALITY SYMBOLS
 =0
 =0

	GENERAL TOLERANCES (UNLESS SPECIFIED)	
	mm	INCH
4 PLACES	± .005	± .0004
3 PLACES	± .002	± .0001
2 PLACES	± .001	± .00005
1 PLACE	± 0.3	± .012
ANGULAR ± 1 °		

DRAFT WHERE APPLICABLE MUST REMAIN WITHIN DIMENSIONS

DIMENSION STYLE	
MM ONLY	DATE
DRAWN BY	DATE
WY. YANG	
CHECKED BY	DATE
APPROVED BY	DATE
MATERIAL NO.	DATE

SCALE	DESIGN UNITS	THIRD ANGLE PROJECTION
4:1	METRIC	
.070 W/W PLUG HSG-1P		
MOLEX INCORPORATED		SHEET NO.
SD-35151-0110		1 OF 01

9 8 7 6 5 4 3 2 1