



Chipsmall Limited consists of a professional team with an average of over 10 year of expertise in the distribution of electronic components. Based in Hongkong, we have already established firm and mutual-benefit business relationships with customers from,Europe,America and south Asia,supplying obsolete and hard-to-find components to meet their specific needs.

With the principle of "Quality Parts,Customers Priority,Honest Operation,and Considerate Service",our business mainly focus on the distribution of electronic components. Line cards we deal with include Microchip,ALPS,ROHM,Xilinx,Pulse,ON,Everlight and Freescale. Main products comprise IC,Modules,Potentiometer,IC Socket,Relay,Connector.Our parts cover such applications as commercial,industrial, and automotives areas.

We are looking forward to setting up business relationship with you and hope to provide you with the best service and solution. Let us make a better world for our industry!



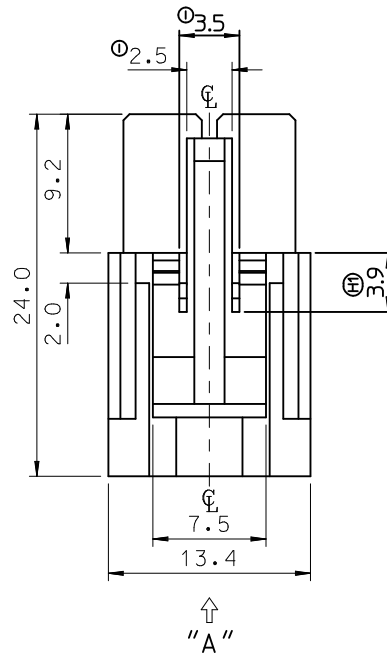
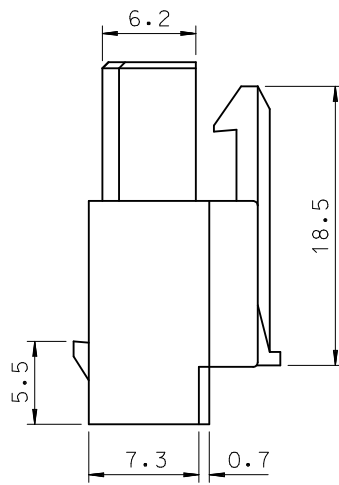
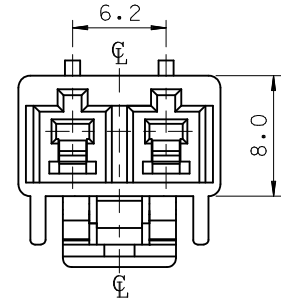
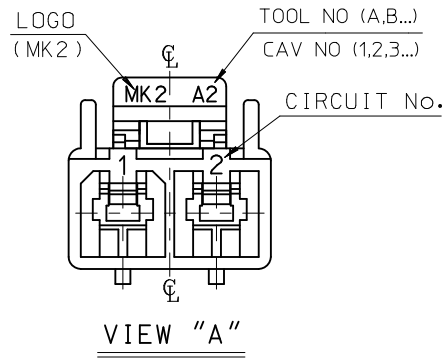
Contact us

Tel: +86-755-8981 8866 Fax: +86-755-8427 6832

Email & Skype: info@chipsmall.com Web: www.chipsmall.com

Address: A1208, Overseas Decoration Building, #122 Zhenhua RD., Futian, Shenzhen, China



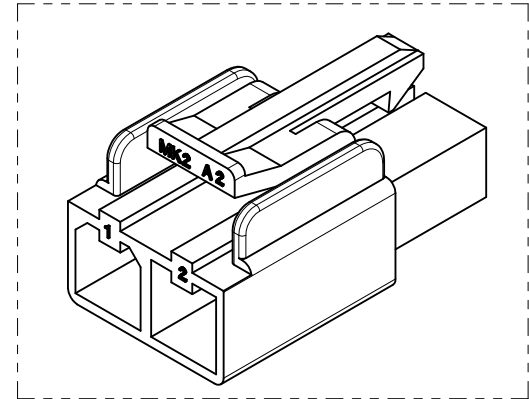


NOTES.

1. MATERIAL : SEE TABLE

N	PRODUCT		MATERIAL	
	PART NO	MATERIAL NO	COLOR	DESCRIPTION
1	35151-0210	351510210	NATURAL	PBT UL94V-0
2	35151-0211	351510211	BLACK	
3	35151-0212	351510212	RED	PC/PET UL94V-0
4	35151-0214	351510214	BLUE	
5	35151-0219	351510219	NATURAL	
6	35151-2219	351512219	RED	
7	35151-3219	351513219	YELLOW	
8	35151-4219	351514219	BLUE	

- 2. MATED HOUSING : 35150-020*, 35150-021*
- 3. APPLICABLE TERMINAL : 35746-0*10
- 4. APPLICABLE T.P.A : 35150-0290
- 5. PRODUCT SPECIFICATION : PS-35150-001



REVISED EC NO: KOR2010-0179 DRWN: JHPARK01 2010/05/25 CHKD: SKIM APPR: YSKIM02 2012/02/20	QUALITY SYMBOLS ▽=0 ▽=0	GENERAL TOLERANCES (UNLESS SPECIFIED)		DIMENSION STYLE MM ONLY		SCALE 3:1	DESIGN UNITS METRIC	THIRD ANGLE PROJECTION			
		4 PLACES ± --- ± ---	3 PLACES ± --- ± ---	2 PLACES ± --- ± ---	1 PLACE ± 0.30 ± ---	DRAWN BY JS. KANG	DATE 1992/11/17	TITLE 6.2 PITCH W/W CONN FEMALE HSG-2P			
		ANGULAR ± 1 °				CHECKED BY BK. CHOI	DATE 1992/11/17				
		DRAFT WHERE APPLICABLE MUST REMAIN WITHIN DIMENSIONS				APPROVED BY CW. LEE		DATE 1992/11/17	MOLEX INCORPORATED		SHEET NO. 1 OF 01
				MATERIAL NO. SEE TABLE		DOCUMENT NO. SD-35151-021*		THIS DRAWING CONTAINS INFORMATION THAT IS PROPRIETARY TO MOLEX INCORPORATED AND SHOULD NOT BE USED WITHOUT WRITTEN PERMISSION			