



Chipsmall Limited consists of a professional team with an average of over 10 year of expertise in the distribution of electronic components. Based in Hongkong, we have already established firm and mutual-benefit business relationships with customers from,Europe,America and south Asia,supplying obsolete and hard-to-find components to meet their specific needs.

With the principle of “Quality Parts,Customers Priority,Honest Operation,and Considerate Service”,our business mainly focus on the distribution of electronic components. Line cards we deal with include Microchip,ALPS,ROHM,Xilinx,Pulse,ON,Everlight and Freescale. Main products comprise IC,Modules,Potentiometer,IC Socket,Relay,Connector.Our parts cover such applications as commercial,industrial, and automotives areas.

We are looking forward to setting up business relationship with you and hope to provide you with the best service and solution. Let us make a better world for our industry!



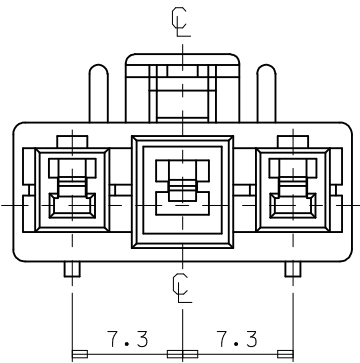
Contact us

Tel: +86-755-8981 8866 Fax: +86-755-8427 6832

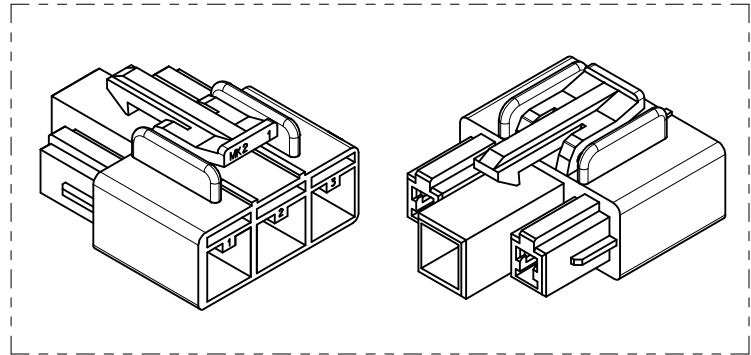
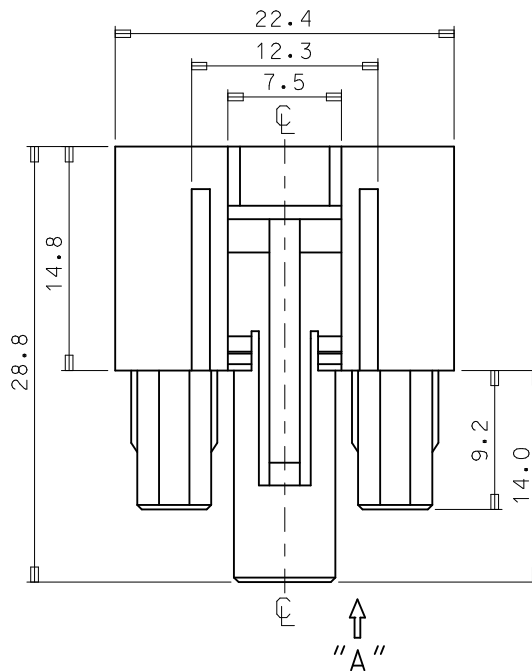
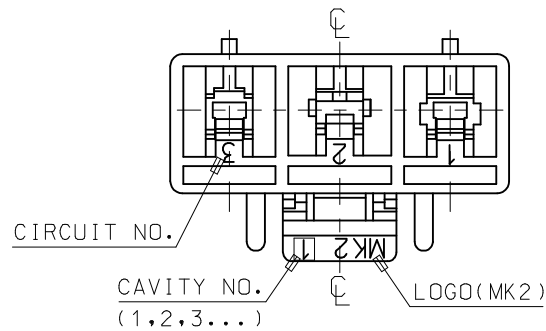
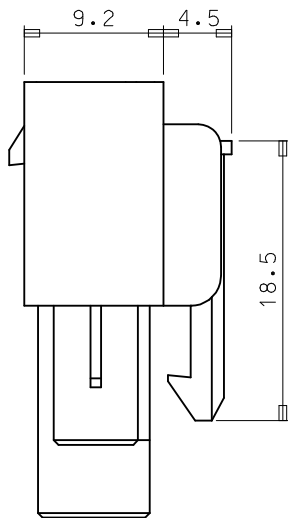
Email & Skype: info@chipsmall.com Web: www.chipsmall.com

Address: A1208, Overseas Decoration Building, #122 Zhenhua RD., Futian, Shenzhen, China





VIEW "A"



NOTES

- MATERIAL · COLOR : SEE TABLE
- MATED HOUSING : 35150-*30*
35150-*31*
35150-039*(T.P.A)
- APPLICABLE TERMINAL : 35746-0*10 (1 CIRCUIT)
35745-0*10 (2 CIRCUIT)
35748-0*10 (3 CIRCUIT)

BLUE COLOR	PET/PC (UL94V-0)	35151-4319	351514319	6
YELLOW COLOR		35151-3319	351513319	5
RED COLOR		35151-2319	351512319	4
NATURAL COLOR	PBT (UL94V-0)	35151-0319	351510319	3
BLUE COLOR		35151-0314	351510314	2
NATURAL COLOR		35151-0310	351510310	1
FINISH	DESCRIPTION	ORDER NO	MATERIAL NO	NO
MATERIAL		PRODUCT		

[TABLE]

REVISED EC NO: KOR2016-0056 DRWN: JSSHIN 2016/02/22 CHKD: SHCHU 2016/02/22 APPR: YSKI MO2 2016/03/09	QUALITY SYMBOLS	GENERAL TOLERANCES (UNLESS SPECIFIED) <table border="1"> <tr> <td></td> <td>mm</td> <td>INCH</td> </tr> <tr> <td>4 PLACES</td> <td>± ---</td> <td>± ---</td> </tr> <tr> <td>3 PLACES</td> <td>± ---</td> <td>± ---</td> </tr> <tr> <td>2 PLACES</td> <td>± ---</td> <td>± ---</td> </tr> <tr> <td>1 PLACE</td> <td>± 0.3</td> <td>± ---</td> </tr> </table> ANGULAR ± 1 °		mm	INCH	4 PLACES	± ---	± ---	3 PLACES	± ---	± ---	2 PLACES	± ---	± ---	1 PLACE	± 0.3	± ---	DIMENSION STYLE	SCALE	DESIGN UNITS	THIRD ANGLE PROJECTION
			mm	INCH																	
	4 PLACES		± ---	± ---																	
	3 PLACES		± ---	± ---																	
2 PLACES	± ---	± ---																			
1 PLACE	± 0.3	± ---																			
			MM ONLY	3/1	METRIC																
			DRAWN BY	DATE	TITLE																
			WY. YANG	1992/11/17	7.3 PITCH W/W CONN. FEMALE HOUSING -3P																
			CHECKED BY	DATE																	
			BK. CHOI	1992/11/17																	
			APPROVED BY	DATE																	
			CW. LEE	1992/11/17																	
			MATERIAL NO.	DOCUMENT NO.	SHEET NO.																
			SEE TABLE		SD-35151-031*																
			SIZE	THIS DRAWING CONTAINS INFORMATION THAT IS PROPRIETARY TO MOLEX INCORPORATED AND SHOULD NOT BE USED WITHOUT WRITTEN PERMISSION																	
			A3																		